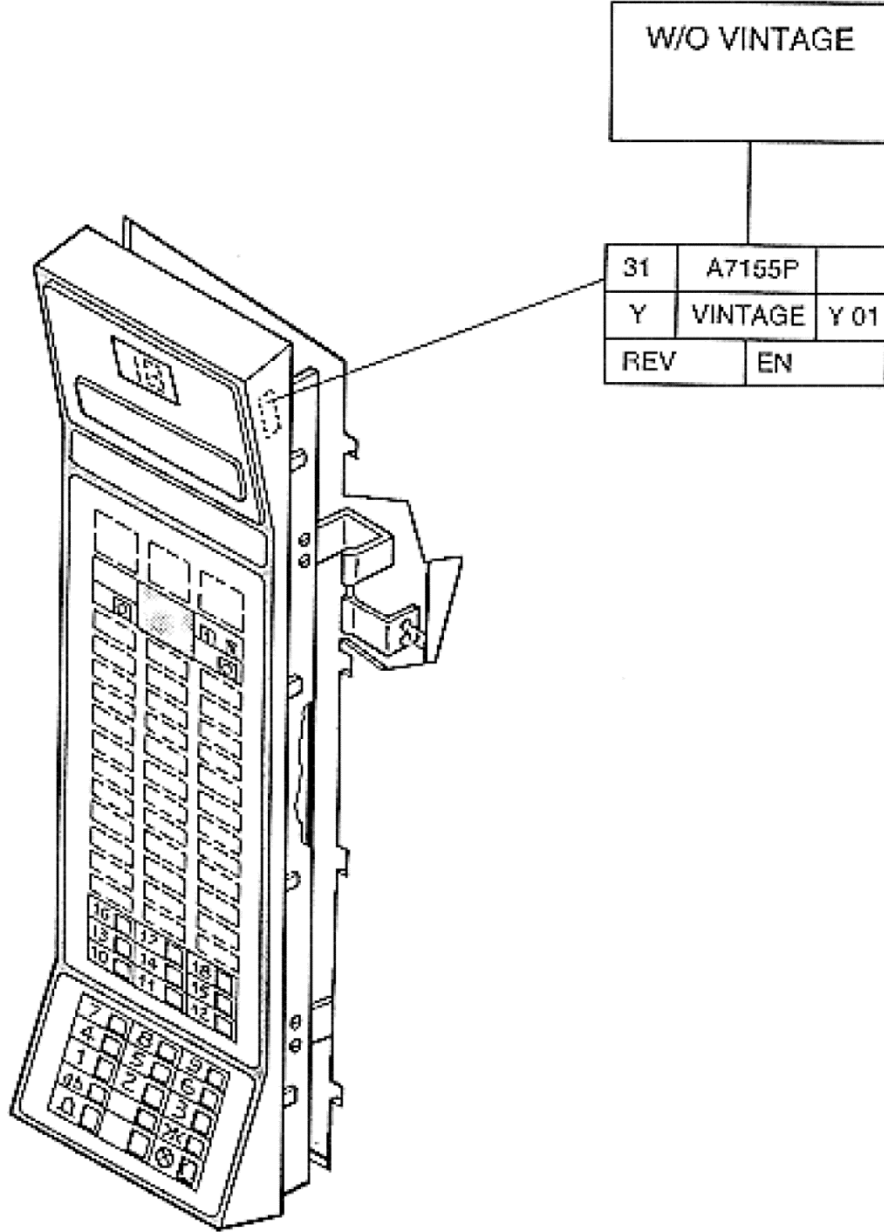


MRS/MRVF Car Operating Panel

Spare Parts Leaflet 31-7155P

April 27, 2016 / Page 1 of 10



OTIS

SERVICE ENGINEERING
Otis Elevator Company
Bloomfield, Connecticut USA

Unpublished Work—© Otis Elevator Co.; 2016

Leaflet Description

This leaflet provides spare parts information for MRS/MRVF car operating panel.

Leaflet Revisions

Date Revised	Subject Matter Expert	Reason for Revision
September 1997	---	New SPL
April 27, 2016	Joseph Zych	Updated document template; Added p/n 147PB_ - 26WT_ on p. 4; Added pp. 7–10

Related Drawings

Drawing No.	Title	Drawing No.	Title
---	---	---	---

Related Documents

Document ID	Title
SPL 31-7069AF	<i>Advanced Fixtures: Component Fixtures for Car Operating & Hall Panels</i>
SPL 31-7069AG	<i>Jewel Modules for Hall & Car Panels: 3-Wire Configuration With Incandescent Lamps/LED Options</i>
SPL 31-6410W	<i>6410W Keyswitch Assembly</i>
SPL 31-7069AH	<i>Part 7069AH Keyswitch Module, Product Application 1981-1990</i>
SPL 31-AAA7069BH	<i>Keyswitch Modules</i>

Subject Matter Expert

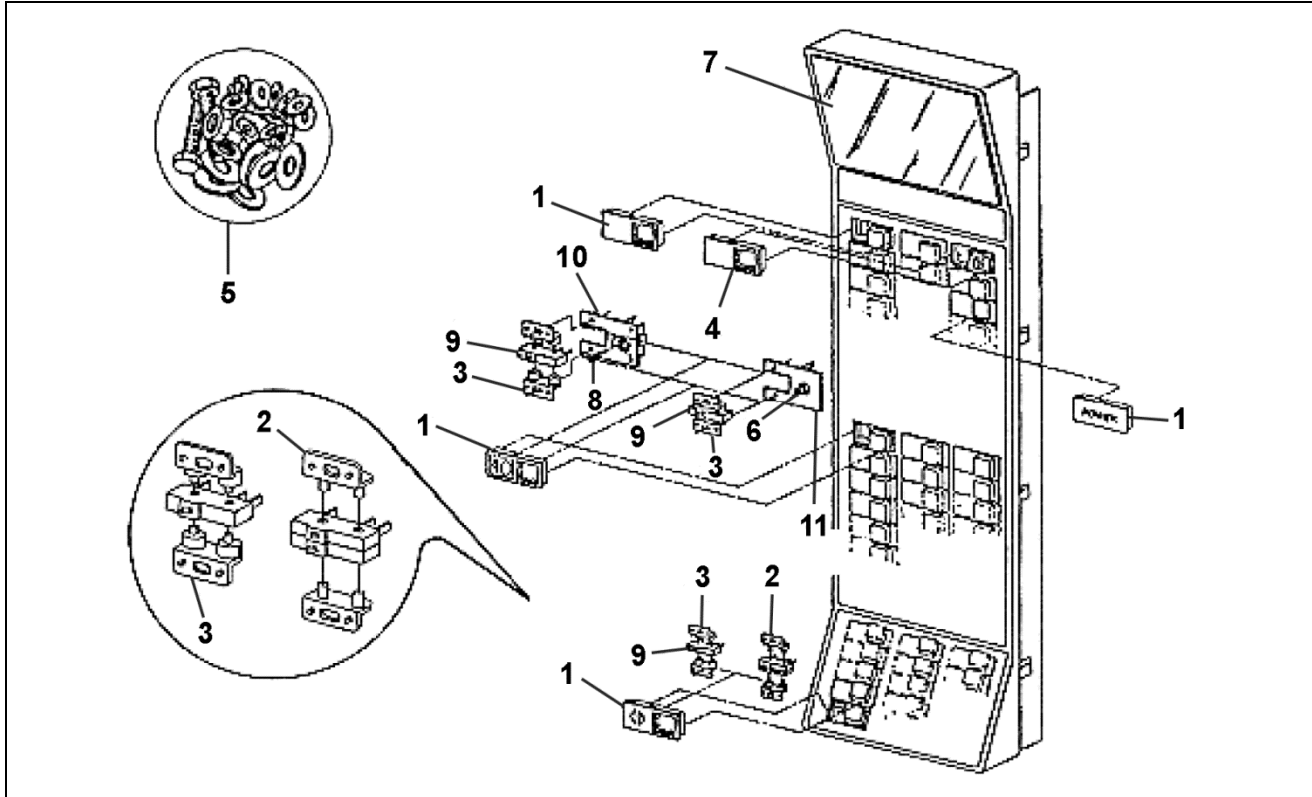
Name	Department
Joseph Zych	OSC Service Engineering

About Spare Parts Leaflets...

This document lists the lowest replaceable units (LRUs) for the standard version of the product. The LRUs are chosen by a team of Otis associates representing engineering and manufacturing.

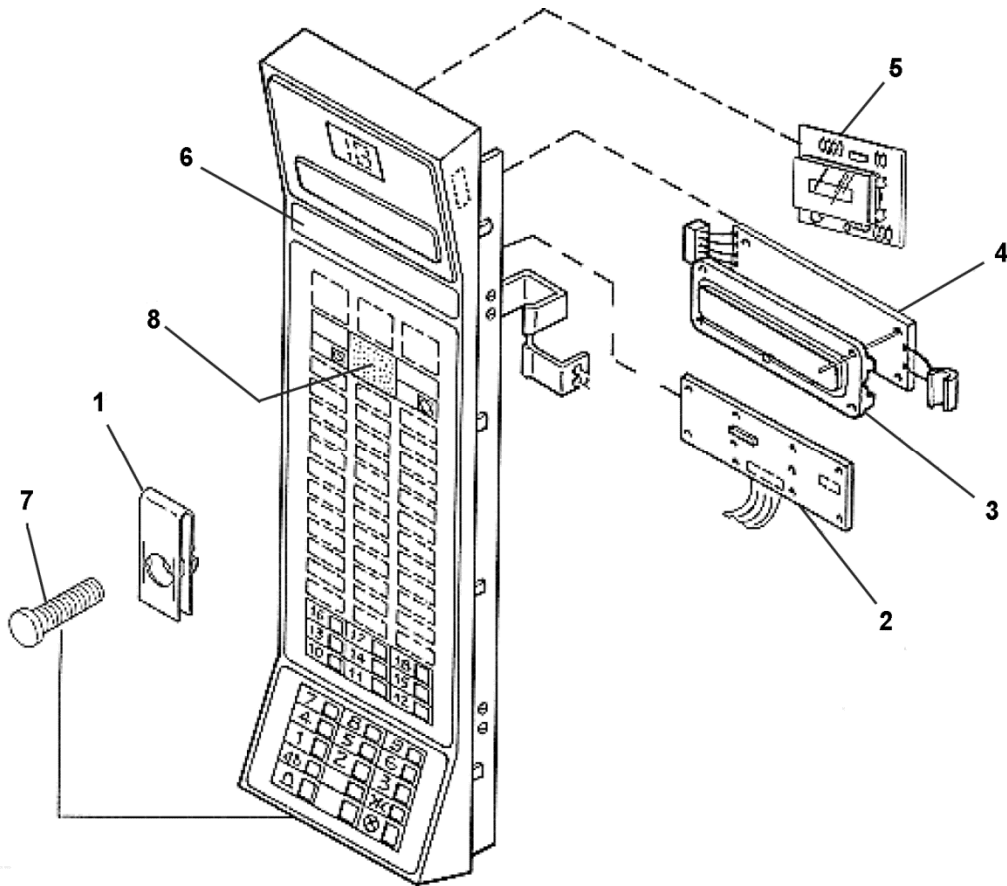
While goal of this document is to make parts identification as easy as possible, the document cannot be all-inclusive. Elevator and escalator contracts classified as “special” or “custom” are not addressed here. For such contracts, please refer to specified information, the contract folder, TIPs, Field Education Articles, Construction Letters, etc. for further information.

If you have any suggestions about this document, please contact the subject matter expert listed on this page.



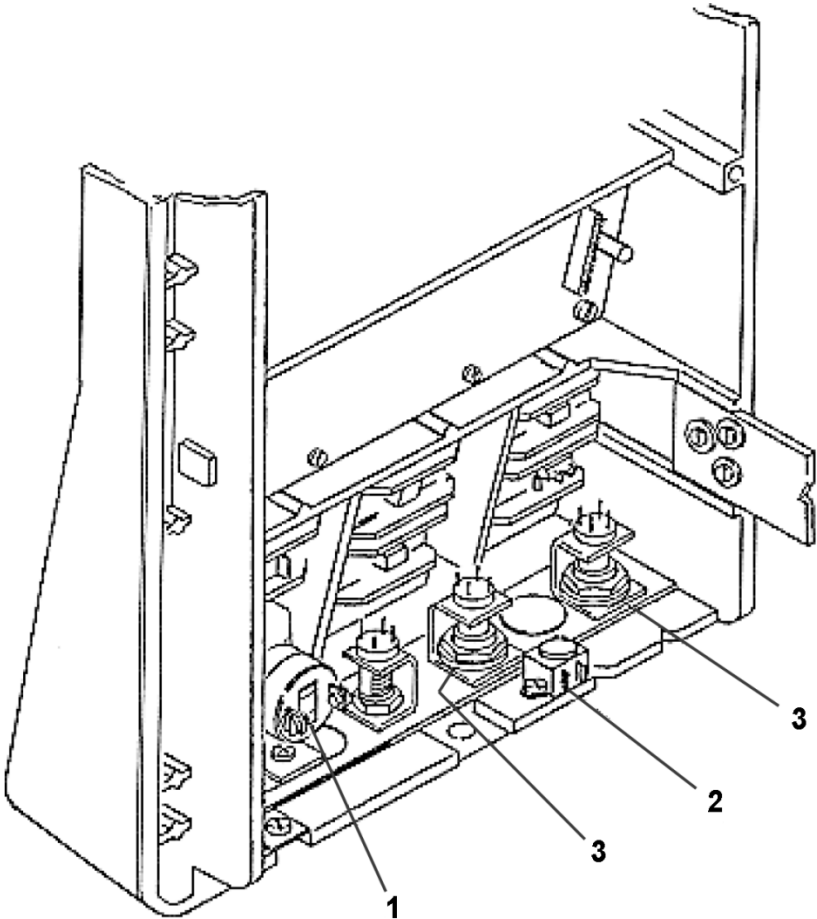
**W/O VINTAGE &
VINTAGE Y 01**

REF. No.	PART No.	DESCRIPTION	REMARKS
1	---	Button, Type 7069AF, see SPL 31-7069AF, Jewel, see SPL 31-7069AG	---
2	180DA1	Holder, Switch, Double	MRS
3	180DA2	Holder, Switch, Single	
4	---	Keyswitch, Type 7069AH, see SPL 31-7069AH	---
	---	Keyswitch, Type A**7069BH, see SPL 31-A**7069BH	---
5	2700CAL1	Kit, Miscellaneous Hardware & Standoffs	---
6	AAA629BD5	LED, Amber	MRS
	AAA629AY2	LED, Red	
	AAA629BD2	LED, Orange	
7	443CA1	Lens	---
8	424R1	Lamp, Incandescent	MRVF
	AAA00625AAA001	Diode, Light Emitting, Amber Yellow	
	AAA00625AAA002	Diode, Light Emitting, Red	
	AAA00625AAA003 AAA629BD4	Diode, Light Emitting, Orange	
9	177DA1	Microswitch	---
10	8200AL1	PC Board, Button, w/ Incandescent Lamp	MRVF
11	8200AL3	PC Board, Button, w/o Lamp	MRS
	CAA8200A1	PC Board, LED, w/o LED Bulb	



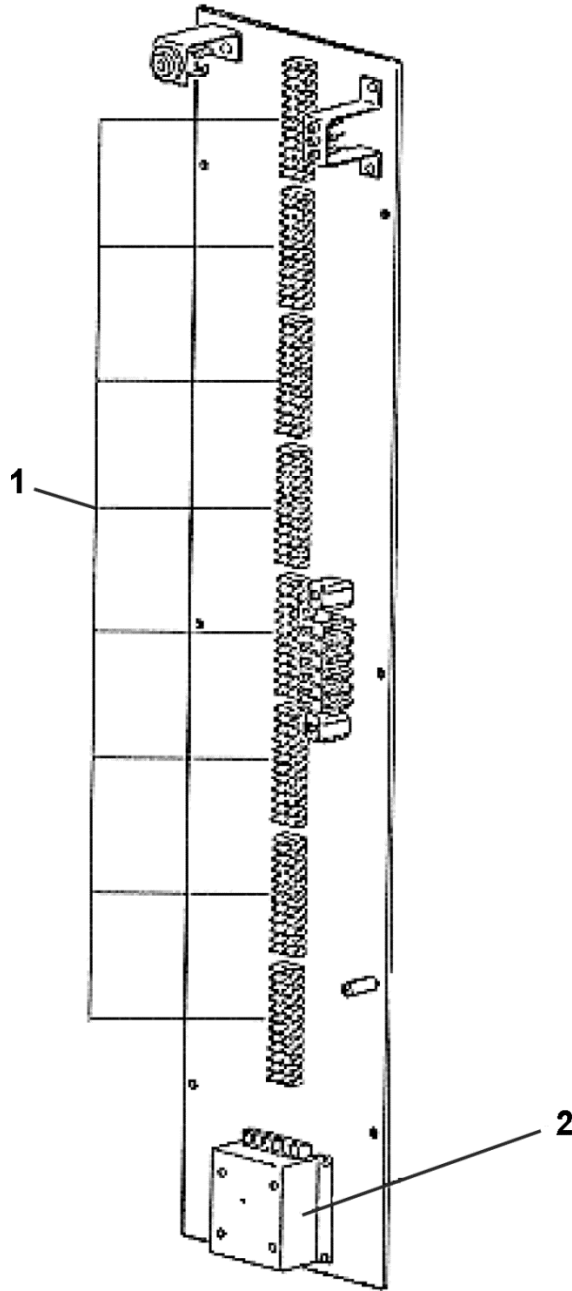
**W/O VINTAGE &
VINTAGE Y 01**

REF. No.	PART No.	DESCRIPTION
1	72BX6	Nut, Speed for Tamper Resistant Screw
2	8200EB1 A8200EB1	PC Board, Communication (Female Voice)
	8200EA1 8200EA2 A8200EB4	PC Board, Communication (Male Voice)
3	8200FA1	PC Board, Information Display
4	8200AM1	PC Board, Information Display Adaptor
5	B8200DA1 AAA26800HJ1	PC Board, Position Indicator
6	147PB_-26WT_	Plate, Capacity, see Ordering Instructions on pp. 7-10
7	VP-855550	Screw, Tamper Resistant, Oval Head
8	---	Speech/Intercom Module, Type 7069AL



**W/O VINTAGE &
VINTAGE Y 01**

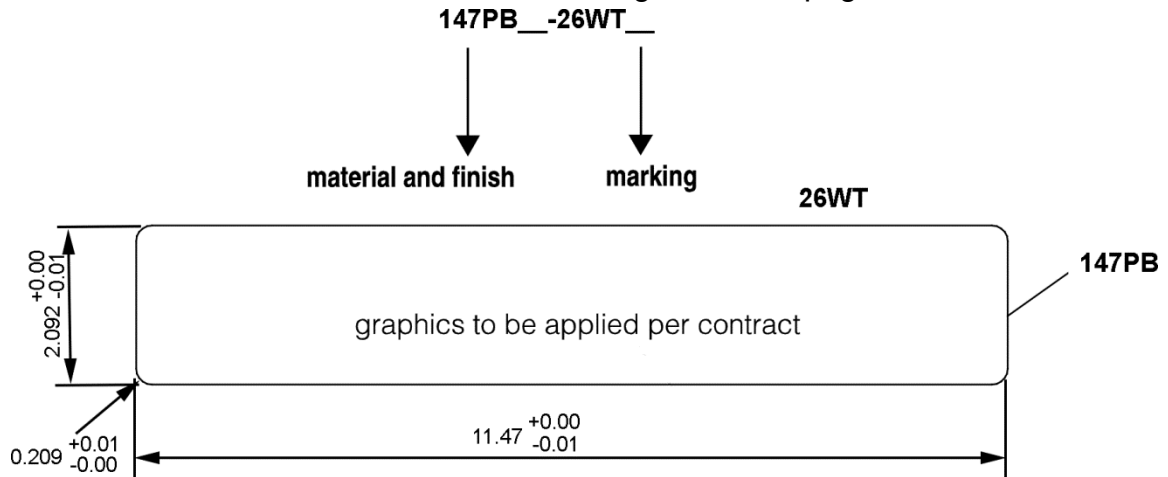
REF. No.	PART No.	DESCRIPTION
1	6219G2	Audible Signal Device
2	6219F4 6219F2	Buzzer
3	---	Keyswitch, see SPL 31-6410W



**W/O VINTAGE &
VINTAGE Y 01**

REF. No.	PART No.	DESCRIPTION
1	303CN1	Block, Terminal
2	P621D4	Power Supply

NOTE: When ordering the capacity faceplate, you need to complete the part number based on the material, finish, and markings listed on pages 9–10.



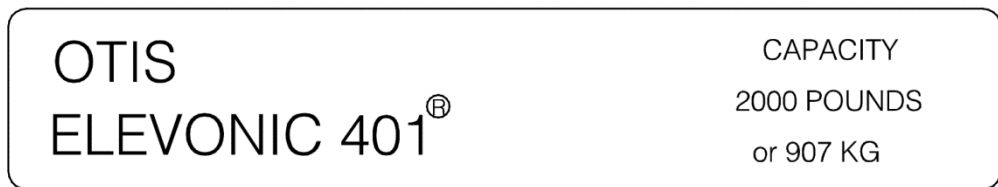
Example 1: 147PB2-26WT1 is a bronze faceplate (Otis #7 finish with markings as in Figure 1, with capacity markings of “1500 Pounds or 680KG”).

FIGURE 1



Example 2: 147PB6-26WT33 is a ferritic steel faceplate (Mill #4 finish with markings as in Figure 2, with capacity markings of “2000 Pounds or 907 KG”).

FIGURE 2



PART No.	DESCRIPTION	Material	Finish
147PB1	Faceplate	Stainless Steel	Otis #3
147PB2		Bronze	Otis #7
147PB3		Stainless Steel	Mill #4
147PB4		Stainless Steel	STN Mirror #8
147PB5		Bronze	Brass Mirror #8
147PB6		Ferritic Steel	Mill #4

Capacity Faceplate Markings

31-7155P

FIGURE 1

OTIS
CAPACITY 1500 POUNDS
or 680 KG

FIGURE 2

CAPACITE MAXIMALE
1500 LB ou 680 KG
ou 9 PERSONNES
OTIS
MAXIMUM CAPACITY
1500 LB or 680 KG
or 9 PERSONS

FIGURE 3

OTIS
ELEVONIC 401[®]
CAPACITY
2000 POUNDS
or 907 KG

FIGURE 4

OTIS
MAXIMUM CAPACITY
1500 LB or 680 KG
or 9 PERSONS

FIGURE 5

OTIS
CAPACITE MAXIMALE
1500 LB ou 680 KG
ou 9 PERSONNES

FIGURE 6

OTIS
ELEVONIC 401[®]
MAXIMUM CAPACITY
2000 LB or
907 KG or 12 PERSONS

NOTE: See part numbers on pages 9–10.

(Continued on next page)

Figure No.	PART No.	MESSAGE DESCRIPTION	
1 (see page 8)	26WT1	Capacity 1500 Pounds or 680 KG	
	26WT2	Capacity 2000 Pounds or 907 KG	
	26WT3	Capacity 2500 Pounds or 1134 KG	
	26WT4	Capacity 3000 Pounds or 1361 KG	
	26WT5	Capacity 3500 Pounds or 1588 KG	
	26WT6	Capacity 4000 Pounds or 1814 KG	
	26WT7	Capacity 4500 Pounds or 2041 KG	
	26WT8	Capacity 5000 Pounds or 2268 KG	
	26WT54	Capacity 2100 Pounds or 953 KG	
2 (see page 8)	26WT17	1500 Pounds ou 680 KG ou 9 Personnes	1500 Pounds or 680 KG or 9 Persons
	26WT18	2000 Pounds ou 907 KG ou 12 Personnes	2000 Pounds or 907 KG or 12 Persons
	26WT19	2500 Pounds ou 1134 KG ou 15 Personnes	2500 Pounds or 1134 KG or 15 Persons
	26WT20	3000 Pounds ou 1361 KG ou 18 Personnes	3000 Pounds or 1361 KG or 18 Persons
	26WT21	3500 Pounds ou 1588 KG ou 21 Personnes	3500 Pounds or 1588 KG or 21 Persons
	26WT22	4000 Pounds ou 1814 KG ou 25 Personnes	4000 Pounds or 1814 KG or 25 Persons
	26WT23	4500 Pounds ou 2041 KG ou 28 Personnes	4500 Pounds or 2041 KG or 28 Persons
	26WT24	5000 Pounds ou 2268 KG ou 31 Personnes	5000 Pounds or 2268 KG or 31 Persons
	26WT56	2100 Pounds ou 953 KG ou 12 Personnes	2100 Pounds or 953 KG or 12 Persons
3 (see page 8)	26WT33	2000 Pounds or 907 KG	
	26WT34	2500 Pounds or 1134 KG	
	26WT35	3000 Pounds or 1361 KG	
	26WT36	3500 Pounds or 1588 KG	
	26WT37	4000 Pounds or 1814 KG	
	26WT38	4500 Pounds or 2041 KG	
	26WT39	5000 Pounds or 2268 KG	

(Continued on next page)

Capacity Faceplate Markings

31-7155P

Figure No.	PART No.	MESSAGE DESCRIPTION
4 (see page 8)	26WT9	1500 Pounds or 680 KG or 9 Persons
	26WT10	2000 Pounds or 907 KG or 12 Persons
	26WT11	2500 Pounds or 1134 KG or 15 Persons
	26WT12	3000 Pounds or 1361 KG or 18 Persons
	26WT13	3500 Pounds or 1588 KG or 21 Persons
	26WT14	4000 Pounds or 1814 KG or 25 Persons
	26WT15	4500 Pounds or 2041 KG or 28 Persons
	26WT16	5000 Pounds or 2268 KG or 31 Persons
	26WT55	2100 Pounds or 953 KG or 12 Persons
5 (see page 8)	26WT25	1500 Pounds ou 680 KG ou 9 Personnes
	26WT26	2000 Pounds ou 907 KG ou 12 Personnes
	26WT27	2500 Pounds ou 1134 KG ou 15 Personnes
	26WT28	3000 Pounds ou 1361 KG ou 18 Personnes
	26WT29	3500 Pounds ou 1588 KG ou 21 Personnes
	26WT30	4000 Pounds ou 1814 KG ou 25 Personnes
	26WT31	4500 Pounds ou 2041 KG ou 28 Personnes
	26WT32	5000 Pounds ou 2268 KG ou 31 Personnes
	26WT57	2100 Pounds ou 953 KG ou 12 Personnes
6 (see page 8)	26WT40	2000 Pounds or 907 KG or 12 Persons
	26WT41	2500 Pounds or 1134 KG or 15 Persons
	26WT42	3000 Pounds or 1361 KG or 18 Persons
	26WT43	3500 Pounds or 1588 KG or 21 Persons
	26WT44	4000 Pounds or 1814 KG or 25 Persons
	26WT45	4500 Pounds or 2041 KG or 28 Persons
	26WT46	5000 Pounds or 2268 KG or 31 Persons