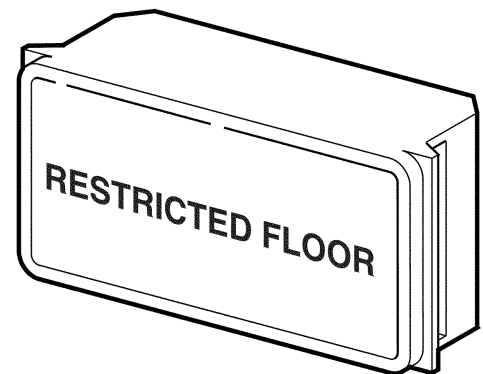
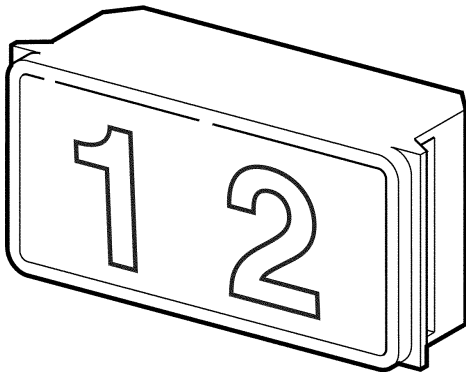


**Jewel Modules for Hall & Car  
Panels: 3-Wire Configuration  
with Incandescent  
Lamps / LED Options**

**Spare Parts Leaflet  
31-7069AG**

**June 7, 2023 / Page 1 of 16**

**W/O VINTAGE**



SPL Includes 31-7069AG and 31-A7069AG

**OTIS**

This document does not contain any  
technical data subject to EAR or ITAR

**SERVICE ENGINEERING  
Otis Elevator Company  
Bloomfield, Connecticut USA**

Unpublished Work—© Otis Elevator Co.; 2023

**Leaflet Description**

Advanced fixture (ADFIX) jewels are used as indicators denoting the activation of specific keyswitch functions. They are also used as message indicators for alerts to passengers of functions being initiated or operating changes.

Most ADFIX jewels operate at a nominal 30 volts DC, except for alarm and alarm received jewels required for ADA guidelines and operate on emergency battery voltages of 6 or 12 VDC.

The only constant component in the jewel module is the reflector which includes a shield to block light when only one lamp is lit, as in a position indicator. The shield is molded as part of the reflector and can be removed if required. All other components have variations that are defined on the parts list. One note of caution regarding lamps: the red LED replacement, with a red or clear lens mounted behind a molded COP with red lens, has provided the brightest results. Other combinations, such as red/green (white) LED with a green lens, should be evaluated carefully for aesthetic acceptability.

Car position indicator and hall position indicator modules can be interchanged between hall and car functions as long as the proper connector is being used to match wire size (see parts list).

This SPL includes both the 7069AG and A7069AG versions.

**Faceplate Thickness:**

1.0 mm (0.040 in.)	Used on 2-row and 3-row molded car operation panels and formed raised hall panels that use a plastic support housing for attachment to a commercial wall box.
1.5 mm (0.060 in.)	For ETO geared car and hall applications.
3.2 mm (0.125 in.)	Used on applied type car operating panels and "Flat Faceplate" hall applications that attach directly to Otis specific wall boxes.

**Leaflet Revisions**

<b>Date Revised</b>	<b>Subject Matter Expert</b>	<b>Reason for Revision</b>
October 1997	Val Minnes	Separated from SPL 31-7069AF dated January 1993.
August 25, 2006	Michael Bertini	Updated parts A7069AG1 through A7069AG149.
July 17, 2009	Joseph Zych	Update part numbers and pictures.
August 3, 2009	Joseph Zych	Corrected p/n A7069AG111 description on p. 13.
June 16, 2010	Joseph Zych	Corrected part descriptions pp 14–16.
May 1, 2013	Joseph Zych	Added lens and PC Board part numbers to pp. 7–16.
June 7, 2023	Vadzim Fedarenka	Removed 124CY5 from Ref. 4 & replaced Ref. 5 on p.5

**Related Drawings**

<b>Drawing No.</b>	<b>Title</b>	<b>Drawing No.</b>	<b>Title</b>
7069AG	Jewel Module	AAA26800AHZ	P.C. Board Assembly, Jewel
A7069AG	Jewel Module	---	---

**Related Documents**

<b>Document ID</b>	<b>Title</b>
SPL 31-449BJ	Type 449BJ Mask
TIP 4.0-32	LED-Based Jewel PCB for Advanced Fixtures

(Continued on next page)

# History (cont.)

**31-7069AG**

## Subject Matter Expert

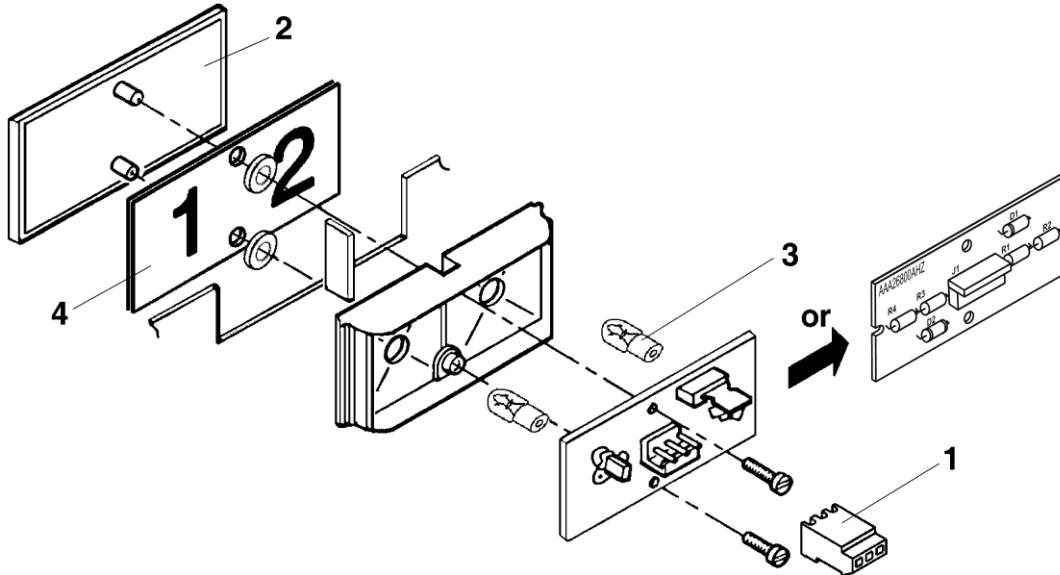
Name	Department
Paul Anthony	OSC Service Engineering

## About Spare Parts Leaflets...

This document lists the lowest replaceable units (LRUs) for the standard version of the product. The LRUs are chosen by a team of Otis associates representing engineering and manufacturing.

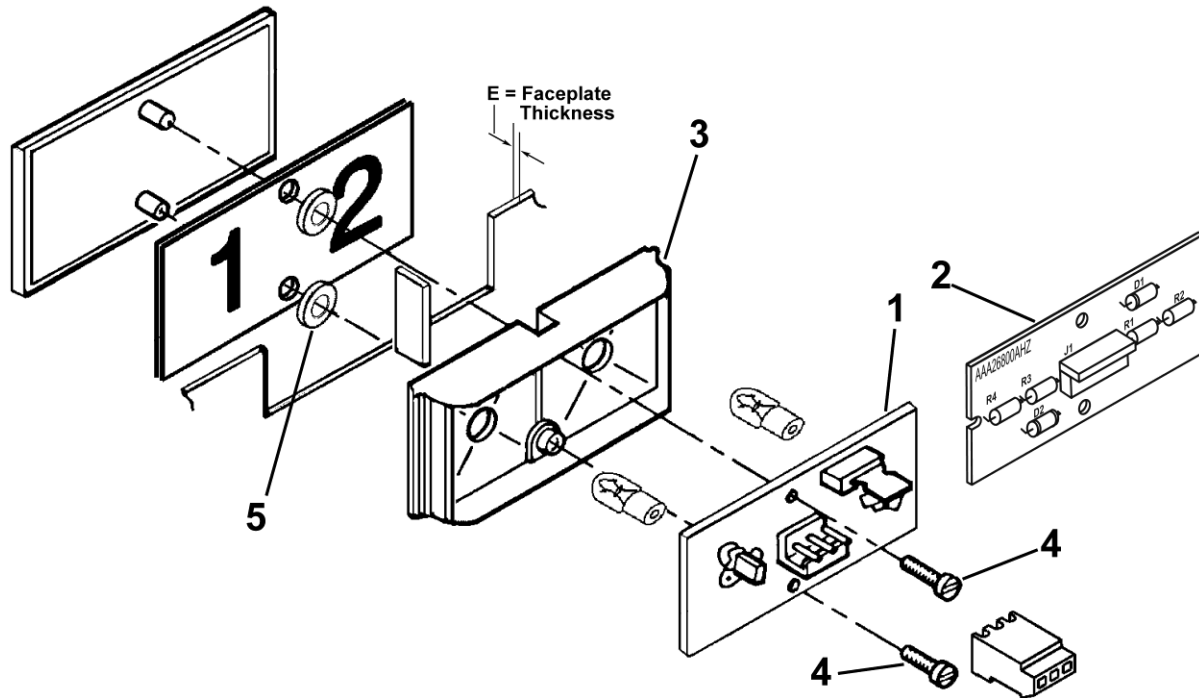
While goal of this document is to make parts identification as easy as possible, the document cannot be all-inclusive. Elevator and escalator contracts classified as “special” or “custom” are not addressed here. For such contracts, please refer to specified information, the contract folder, TIPS, Field Education Articles, Construction Letters, etc. for further information.

If you have any suggestions about this document, please contact the subject matter expert listed on this page.



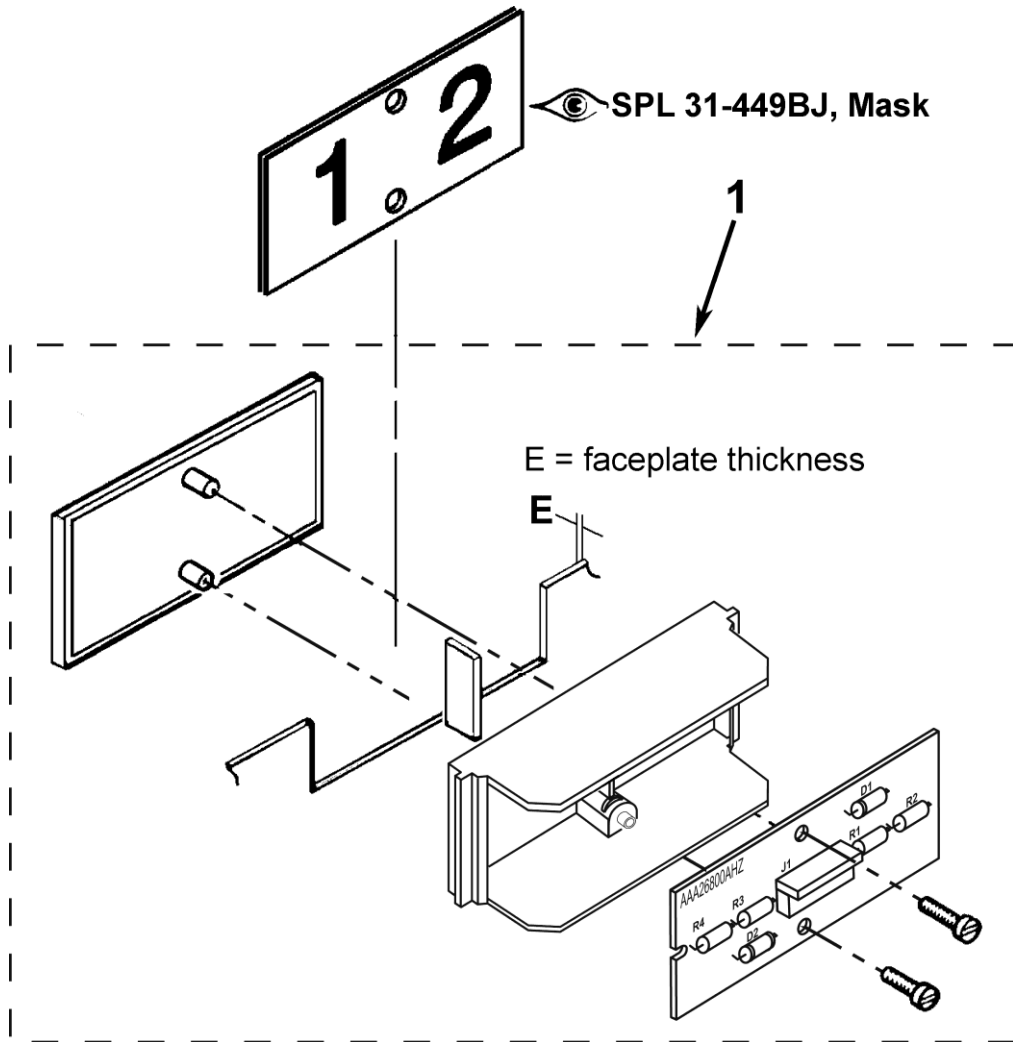
		<b>W/O VINTAGE</b>
<b>REF. No.</b>	<b>PART No.</b>	<b>DESCRIPTION</b>
1	AAA447AC5	Connector, 18 GA. Wire, (for Hall Modules)
	AAA447AC6	Connector, 22 GA. Wire, (for Car Modules)
2	443CB1	Lens, Red
	443CB2	Lens, Clear
	443CB3	Lens, Green
	443CB4	Lens, Red, w/Text: EMERGENCY RECALL
	443CB5	Lens, Red, w/Text: RAPPEL DE SECOURS
	443CB6	Lens, Blue
	443CB7	Lens, Red w/Text: ELEVATOR EMERGENCY POWER
	443CB8	Lens, Red w/Text: ALIMENTATION DE SECOURS
3	424R1	Lamp, Incandescent (nominal 24 V systems)
	424R2	Lamp, Incandescent (nominal 12 V systems)
	424R3	Lamp, Incandescent (nominal 6 V systems)
	AAA629BD5	Light Emitting Diode, Amber (Nominal 30 V Systems) Not Shown
	AAA629AY2	Light Emitting Diode, Red (Nominal 30 V Systems) Not Shown
	AAA629BD2	Light Emitting Diode, Orange (Nominal 30 V Systems) Not Shown
4	---	Mask, Type 449BJ, See SPL 31-449BJ or Listing Details on pp. 7–16

(Continued on next page)



REF. No.	W/O VINTAGE PART No.	DESCRIPTION
1	AAA26800PB1	PC Board, Incandescent Lamps (12 V)
	AAA26800PB2	PC Board, Incandescent Lamps (6 V)
	8200JA1	PC Board, Incandescent Lamps, 30 V (see <b>NOTE</b> )
2	AAA26800AHZ1 ←	PC Board, Red LED, 30 V
	AAA26800AHZ2 ←	PC Board, Green LED, 30 V
	AAA26800AHZ3 ←	PC Board, White LED, 30 V
3	278FA4	Reflector, with Shield (shown)
	AAB278AAC3	Reflector (not shown)
4	124CY4	Screw, Thread-Forming M3, L = 18 mm, E = 1.0 mm /1.5 mm
5	AAA129DW9	Washer, Used w/ E = 3.2 mm (0.125 in.)
	AAA129DW15	Washer, Used w/ E = 3.84 mm (0.151 in.)

**NOTE:** If updating to the LED PC board, also order new reflector.


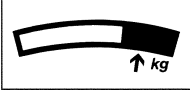

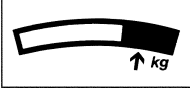



**NOTE:** Order p/n 124CY5, screw (qty. 2) if E = 3.2 mm.

		<b>W/O VINTAGE</b>
<b>REF. No.</b>	<b>PART No.</b>	<b>DESCRIPTION</b>
1	2700CAJ4	Kit, Jewel Module with Red Lens
	2700CAJ1	Kit, LED Jewel Module with Red Lens, PCB AAA26800AHZ1
	2700CAJ5	Kit, Jewel Module with Clear Lens
	2700CAJ2	Kit, LED Jewel Module with Clear Lens, PCB AAA26800AHZ3
	2700CAJ6	Kit, Jewel Module with Green Lens
	2700CAJ3	Kit, LED Jewel Module with Green Lens, PCB AAA26800AHZ2

# 31-7069AG

# Type A7069AG Jewel Modules

<p><b>7069AG1</b> <b>A7069AG1</b> Security (Car)</p> <p>Mask (449BJ2) Lens (Red) (p/n 443CB1) Faceplate Thickness (1.0/0.040) PC Board (p/n AAA26800AHZ1)</p> <p><i>Restricted floor</i></p>	<p><b>7069AG2</b> <b>A7069AG2</b> Emergency Service Car</p> <p>Mask (449BJ3) Lens (Red) (p/n 443CB1) Faceplate Thickness (1.0/0.040) PC Board (p/n AAA26800AHZ1)</p> <p><i>Please exit when doors open</i></p>	<p><b>7069AG3</b> <b>A7069AG3</b> Attendant Service (Car)</p> <p>Mask (449BJ4) Lens (Red) (p/n 443CB1) Faceplate Thickness (1.0/0.040) PC Board (p/n AAA26800AHZ1)</p> <p><i>Further demand</i></p>
<p><b>7069AG4</b> <b>A7069AG4</b> Emergency Power (Hall)</p> <p>Mask (449BJ5) Lens (Red) (p/n 443CB1) Faceplate Thickness (1.0/0.040) PC Board (p/n AAA26800AHZ1)</p> <p><i>EP1 EP2</i></p>	<p><b>7069AG5</b> <b>A7069AG5</b> Power (Car) M. G. Pilot</p> <p>Mask (449BJ1) Lens (Red) (p/n 443CB1) Faceplate Thickness (1.0/0.040) PC Board (p/n AAA26800AHZ1)</p> <p><i>Power</i></p>	<p><b>7069AG6</b> <b>A7069AG6</b> Direction Arrows (Car)</p> <p>Mask (449BJ7) Lens (Red) (p/n 443CB1) Faceplate Thickness (1.0/0.040) PC Board (p/n AAA26800AHZ1)</p> <p></p>
<p><b>7069AG7</b> <b>A7069AG7</b> Full Car/Overload (Car)</p> <p>Mask (449BJ8) Lens (Red) (p/n 443CB1) Faceplate Thickness (1.0/0.040) PC Board (p/n AAA26800AHZ1)</p> <p></p>	<p><b>7069AG8</b> <b>A7069AG8</b> Emergency Service (Car)</p> <p>Mask (449BJ3) Lens (Red) (p/n 443CB1) Faceplate Thickness (1.5/0.060) PC Board (p/n AAA26800AHZ1)</p> <p><i>Please exit when doors open</i></p>	<p><b>7069AG9</b> <b>A7069AG9</b> Direction Arrows (Car)</p> <p>Mask (449BJ7) Lens (Red) (p/n 443CB1) Faceplate Thickness (1.5/0.060) PC Board (p/n AAA26800AHZ1)</p> <p></p>
<p><b>7069AG10</b> <b>A7069AG10</b> Full Car/Overload (Car)</p> <p>Mask (449BJ8) Lens (Red) (p/n 443CB1) Faceplate Thickness (1.5/0.060) PC Board (p/n AAA26800AHZ1)</p> <p></p>	<p><b>7069AG11</b> <b>A7069AG11</b> Blank</p> <p>Mask (449BJ3) Lens (Clear Natural) (p/n 443CB2) Faceplate Thickness (1.0/0.040) PC Board (p/n AAA26800AHZ3)</p>	<p><b>7069AG12</b> <b>A7069AG12</b> Direction Arrows (COP Lens)</p> <p>Mask (449BJ7) Lens (Clear Natural) (p/n 443CB2) Faceplate Thickness (1.0/0.040) PC Board (p/n AAA26800AHZ3)</p> <p></p>
<p><b>7069AG13</b> <b>A7069AG13</b> Priority Service (Hall) (NAO-LRV-LRS)</p> <p>Mask (449BJ2) Lens (Red) (p/n 443CB1) Faceplate Thickness (1.0/0.040) PC Board (p/n AAA26800AHZ1)</p> <p><i>Priority service</i></p>	<p><b>7069AG14</b> <b>A7069AG14</b> Group Security (Hall)</p> <p>Mask (449BJ10) Lens (Red) (p/n 443CB1) Faceplate Thickness (1.0/0.040) PC Board (p/n AAA26800AHZ1)</p> <p><i>Group security</i></p>	<p><b>7069AG15</b> <b>A7069AG15</b> Emergency Service (Car) (Fire / Hospital Prior. ETO, French)</p> <p>Mask (449BJ12) Lens (Red) (p/n 443CB1) Faceplate Thickness (1.0/0.040) PC Board (p/n AAA26800AHZ1)</p> <p><i>Priere de sortir au prochain arret</i></p>

# Type 7069AG Jewel Modules

## 31-7069AG

<p><b>7069AG16</b> <b>A7069AG16</b> Emergency Service (Car) (Fire / Hospital prior ETO, French)</p> <p>Priere de sortir au prochain arret</p> <p>Mask (449BJ12) Lens (Red) (p/n 443CB1) Faceplate Thickness (1.5/0.060) PC Board (p/n AAA26800AHZ1)</p>	<p><b>7069AG17</b> <b>A7069AG17</b> Fireman Service (Car) (ETO, German)</p> <p>Feuerwehrbetrieb bitte aussteigen</p> <p>Mask (449BJ14) Lens (Red) (p/n 443CB1) Faceplate Thickness (1.0/0.040) PC Board (p/n AAA26800AHZ1)</p>	<p><b>7069AG18</b> <b>A7069AG18</b> Fireman Service (Car) (ETO, German)</p> <p>Feuerwehrbetrieb bitte aussteigen</p> <p>Mask (449BJ14) Lens (Red) (p/n 443CB1) Faceplate Thickness (1.5/0.060) PC Board (p/n AAA26800AHZ1)</p>
<p><b>7069AG19</b> <b>A7069AG19</b> Emergency Service (Car) (Fire / Hospital prior ETO, French)</p> <p>Sonderfhrht bitte aussteigen</p> <p>Mask (449BJ16) Lens (Red) (p/n 443CB1) Faceplate Thickness (1.0/0.040) PC Board (p/n AAA26800AHZ1)</p>	<p><b>7069AG20</b> <b>A7069AG20</b> Emergency Hospital Service (Car) (ETO, German)</p> <p>Sonderfhrht bitte aussteigen</p> <p>Mask (449BJ16) Lens (Clear) (p/n 443CB2) Faceplate Thickness (1.5/0.060) PC Board (p/n AAA26800AHZ3)</p>	<p><b>7069AG21</b> <b>A7069AG21</b> Express Priority Service (Car) (ETO, German)</p> <p>vorzugsfahrt bitte aussteigen</p> <p>Mask (449BJ18) Lens (Red) (p/n 443CB1) Faceplate Thickness (1.0/0.040) PC Board (p/n AAA26800AHZ1)</p>
<p><b>7069AG22</b> <b>A7069AG22</b> Express Priority Service (Car) (ETO, German)</p> <p>Vorzugsfahrt bitte aussteigen</p> <p>Mask (449BJ18) Lens (Red) (p/n 443CB1) Faceplate Thickness (1.5/0.060) PC Board (p/n AAA26800AHZ1)</p>	<p><b>7069AG23</b> <b>A7069AG23</b> Security (Car) (ETO, French)</p> <p>Access reserve</p> <p>Mask (449BJ20) Lens (Red) (p/n 443CB1) Faceplate Thickness (1.0/0.040) PC Board (p/n AAA26800AHZ1)</p>	<p><b>7069AG24</b> <b>A7069AG24</b> Security (Car) (ETO, German)</p> <p>Haltestelle nur fur Befugte</p> <p>Mask (449BJ21) Lens (Red) (p/n 443CB1) Faceplate Thickness (1.0/0.040) PC Board (p/n AAA26800AHZ1)</p>
<p><b>7069AG25</b> <b>A7069AG25</b> Attendant Service (Car) (ETO, French)</p> <p>Appel palier</p> <p>Mask (449BJ22) Lens (Red) (p/n 443CB1) Faceplate Thickness (1.0/0.040) PC Board (p/n AAA26800AHZ1)</p>	<p><b>7069AG26</b> <b>A7069AG26</b> Priority Service (Hall) (ETO, French)</p> <p>Ne pas emprunter le prochain apparell</p> <p>Mask (449BJ23) Lens (Red) (p/n 443CB1) Faceplate Thickness (1.0/0.040) PC Board (p/n AAA26800AHZ1)</p>	<p><b>7069AG27</b> <b>A7069AG27</b> Emergency Hospital Service (Hall) (ETO, French)</p> <p>Sonderfahrt</p> <p>Mask (449BJ25) Lens (Red) (p/n 443CB1) Faceplate Thickness (1.0/0.040) PC Board (p/n AAA26800AHZ1)</p>
<p><b>7069AG28</b> <b>A7069AG28</b> Express Priority Service (Hall) (ETO, German)</p> <p>Vorzugsfahrt</p> <p>Mask (449BJ25) Lens (Red) (p/n 443CB1) Faceplate Thickness (1.0/0.040) PC Board (p/n AAA26800AHZ1)</p>	<p><b>7069AG29</b> <b>A7069AG29</b> Group Security (ETO, French)</p> <p>Systeme secure</p> <p>Mask (449BJ28) Lens (Red) (p/n 443CB1) Faceplate Thickness (1.5/0.060) PC Board (p/n AAA26800AHZ1)</p>	<p><b>7069AG30</b> <b>A7069AG30</b> Group Security (ETO, German)</p> <p>Gruppen sicherheit</p> <p>Mask (449BJ29) Lens (Red) (p/n 443CB1) Faceplate Thickness (1.5/0.060) PC Board (p/n AAA26800AHZ1)</p>



**31-7069AG****Type 7069AG Jewel Modules**

<b>7069AG31</b> <b>A7069AG31</b> Car Position Indicator  Mask (449BJ30) Lens (Clear) (p/n 443CB2) Faceplate Thickness (1.0/0.040) PC Board (p/n AAA26800AHZ3)	<div style="border: 1px solid black; padding: 5px; display: inline-block;"> <b>1 2</b> </div>	<b>7069AG32</b> <b>A7069AG32</b> Car Position Indicator  Mask (449BJ31) Lens (Clear Natural) (p/n 443CB2) Faceplate Thickness (1.0/0.040) PC Board (p/n AAA26800AHZ3)	<div style="border: 1px solid black; padding: 5px; display: inline-block;"> <b>3 4</b> </div>	<b>7069AG33</b> <b>A7069AG33</b> Car Position Indicator  Mask (449BJ32) Lens (Clear) (p/n 443CB2) Faceplate Thickness (1.0/0.040) PC Board (p/n AAA26800AHZ3)	<div style="border: 1px solid black; padding: 5px; display: inline-block;"> <b>5 6</b> </div>
<b>7069AG34</b> <b>A7069AG34</b> Car Position Indicator  Mask (449BJ33) Lens (Red) (p/n 443CB1) Faceplate Thickness (1.0/0.040) PC Board (p/n AAA26800AHZ1)	<div style="border: 1px solid black; padding: 5px; display: inline-block;"> <b>2 3</b> </div>	<b>7069AG35</b> <b>A7069AG35</b> Car Position Indicator  Mask (449BJ34) Lens (Red) (p/n 443CB1) Faceplate Thickness (1.0/0.040) PC Board (p/n AAA26800AHZ1)	<div style="border: 1px solid black; padding: 5px; display: inline-block;"> <b>B 1</b> </div>	<b>7069AG36</b> <b>A7069AG36</b> Car Position Indicator  Mask (449BJ35) Lens (Clear) (p/n 443CB2) Faceplate Thickness (1.0/0.040) PC Board (p/n AAA26800AHZ3)	<div style="border: 1px solid black; padding: 5px; display: inline-block;"> <b>P 1</b> </div>
<b>7069AG37</b> <b>A7069AG37</b> Car Position Indicator  Mask (449BJ36) Lens (Clear) (p/n 443CB2) Faceplate Thickness (1.0/0.040) PC Board (p/n AAA26800AHZ3)	<div style="border: 1px solid black; padding: 5px; display: inline-block;"> <b>M 2</b> </div>	<b>7069AG38</b> <b>A7069AG38</b> Car Position Indicator  Mask (449BJ37) Lens (Clear) (p/n 443CB2) Faceplate Thickness (1.0/0.040) PC Board (p/n AAA26800AHZ3)	<div style="border: 1px solid black; padding: 5px; display: inline-block;"> <b>L 2</b> </div>	<b>7069AG39</b> <b>A7069AG39</b> Car Position Indicator  Mask (449BJ38) Lens (Red) (p/n 443CB1) Faceplate Thickness (1.0/0.040) PC Board (p/n AAA26800AHZ1)	<div style="border: 1px solid black; padding: 5px; display: inline-block;"> <b>P 2</b> </div>
<b>7069AG40</b> <b>A7069AG40</b> Car Position Indicator  Mask (449BJ39) Lens (Red) (p/n 443CB1) Faceplate Thickness (1.0/0.040) PC Board (p/n AAA26800AHZ1)	<div style="border: 1px solid black; padding: 5px; display: inline-block;"> <b>B L</b> </div>	<b>7069AG41</b> <b>A7069AG41</b> Car Position Indicator  Mask (449BJ40) Lens (Clear) (p/n 443CB2) Faceplate Thickness (1.0/0.040) PC Board (p/n AAA26800AHZ3)	<div style="border: 1px solid black; padding: 5px; display: inline-block;"> <b>B M</b> </div>	<b>7069AG42</b> <b>A7069AG42</b> Car Position Indicator  Mask (449BJ41) Lens (Red) (p/n 443CB1) Faceplate Thickness (1.0/0.040) PC Board (p/n AAA26800AHZ1)	<div style="border: 1px solid black; padding: 5px; display: inline-block;"> <b>1 L</b> </div>
<b>7069AG43</b> <b>A7069AG43</b> Car Position Indicator  Mask (449BJ42) Lens (Clear) (p/n 443CB2) Faceplate Thickness (1.0/0.040) PC Board (p/n AAA26800AHZ3)	<div style="border: 1px solid black; padding: 5px; display: inline-block;"> <b>P L</b> </div>	<b>7069AG44</b> <b>A7069AG44</b> Car Position Indicator  Mask (449BJ43) Lens (Clear) (p/n 443CB2) Faceplate Thickness (1.0/0.040) PC Board (p/n AAA26800AHZ3)	<div style="border: 1px solid black; padding: 5px; display: inline-block;"> <b>G 1</b> </div>	<b>7069AG45</b> <b>A7069AG45</b> Car Position Indicator  Mask (449BJ44) Lens (Clear) (p/n 443CB2) Faceplate Thickness (1.0/0.040) PC Board (p/n AAA26800AHZ3)	<div style="border: 1px solid black; padding: 5px; display: inline-block;"> <b>G 2</b> </div>
<b>7069AG46</b> <b>A7069AG46</b> Car Position Indicator  Mask (449BJ45) Lens (Clear) (p/n 443CB2) Faceplate Thickness (1.0/0.040) PC Board (p/n AAA26800AHZ3)	<div style="border: 1px solid black; padding: 5px; display: inline-block;"> <b>B G</b> </div>	<b>7069AG47</b> <b>A7069AG47</b> Car Position Indicator  Mask (449BJ46) Lens (Clear) (p/n 443CB2) Faceplate Thickness (1.0/0.040) PC Board (p/n AAA26800AHZ3)	<div style="border: 1px solid black; padding: 5px; display: inline-block;"> <b>4 5</b> </div>	<b>7069AG48</b> <b>A7069AG48</b> Car Position Indicator  Mask (449BJ30) Lens (Green) (p/n 443CB3) Faceplate Thickness (1.0/0.040) PC Board (p/n AAA26800AHZ2)	<div style="border: 1px solid black; padding: 5px; display: inline-block;"> <b>1 2</b> </div>

# Type 7069AG Jewel Modules

## 31-7069AG

<p><b>7069AG49</b> <b>A7069AG49</b> Car Position Indicator</p> <div style="border: 1px solid black; padding: 5px; display: inline-block; font-size: 2em; font-weight: bold;">3 4</div> <p>Mask (449BJ31) Lens (Green) (p/n 443CB3) Faceplate Thickness (1.0/0.040) PC Board (p/n AAA26800AHZ2)</p>	<p><b>7069AG50</b> <b>A7069AG50</b> Car Position Indicator</p> <div style="border: 1px solid black; padding: 5px; display: inline-block; font-size: 2em; font-weight: bold;">5 6</div> <p>Mask (449BJ32) Lens (Green) (p/n 443CB3) Faceplate Thickness (1.0/0.040) PC Board (p/n AAA26800AHZ2)</p>	<p><b>7069AG51</b> <b>A7069AG51</b> Car Position Indicator</p> <div style="border: 1px solid black; padding: 5px; display: inline-block; font-size: 2em; font-weight: bold;">2 3</div> <p>Mask (449BJ33) Lens (Green) (p/n 443CB3) Faceplate Thickness (1.0/0.040) PC Board (p/n AAA26800AHZ2)</p>
<p><b>7069AG52</b> <b>A7069AG52</b> Car Position Indicator</p> <div style="border: 1px solid black; padding: 5px; display: inline-block; font-size: 2em; font-weight: bold;">B 1</div> <p>Mask (449BJ34) Lens (Green) (p/n 443CB3) Faceplate Thickness (1.0/0.040) PC Board (p/n AAA26800AHZ2)</p>	<p><b>7069AG53</b> <b>A7069AG53</b> Car Position Indicator</p> <div style="border: 1px solid black; padding: 5px; display: inline-block; font-size: 2em; font-weight: bold;">P 1</div> <p>Mask (449BJ35) Lens (Green) (p/n 443CB3) Faceplate Thickness (1.0/0.040) PC Board (p/n AAA26800AHZ2)</p>	<p><b>7069AG54</b> <b>A7069AG54</b> Car Position Indicator</p> <div style="border: 1px solid black; padding: 5px; display: inline-block; font-size: 2em; font-weight: bold;">M 2</div> <p>Mask (449BJ36) Lens (Green) (p/n 443CB3) Faceplate Thickness (1.0/0.040) PC Board (p/n AAA26800AHZ2)</p>
<p><b>7069AG55</b> <b>A7069AG55</b> Car Position Indicator</p> <div style="border: 1px solid black; padding: 5px; display: inline-block; font-size: 2em; font-weight: bold;">L 2</div> <p>Mask (449BJ37) Lens (Green) (p/n 443CB3) Faceplate Thickness (1.0/0.040) PC Board (p/n AAA26800AHZ2)</p>	<p><b>7069AG56</b> <b>A7069AG56</b> Car Position Indicator</p> <div style="border: 1px solid black; padding: 5px; display: inline-block; font-size: 2em; font-weight: bold;">P 2</div> <p>Mask (449BJ38) Lens (Green) (p/n 443CB3) Faceplate Thickness (1.0/0.040) PC Board (p/n AAA26800AHZ2)</p>	<p><b>7069AG57</b> <b>A7069AG57</b> Car Position Indicator</p> <div style="border: 1px solid black; padding: 5px; display: inline-block; font-size: 2em; font-weight: bold;">B L</div> <p>Mask (449BJ39) Lens (Green) (p/n 443CB3) Faceplate Thickness (1.0/0.040) PC Board (p/n AAA26800AHZ2)</p>
<p><b>7069AG58</b> <b>A7069AG58</b> Car Position Indicator</p> <div style="border: 1px solid black; padding: 5px; display: inline-block; font-size: 2em; font-weight: bold;">B M</div> <p>Mask (449BJ40) Lens (Green) (p/n 443CB3) Faceplate Thickness (1.0/0.040) PC Board (p/n AAA26800AHZ2)</p>	<p><b>7069AG59</b> <b>A7069AG59</b> Car Position Indicator</p> <div style="border: 1px solid black; padding: 5px; display: inline-block; font-size: 2em; font-weight: bold;">1 L</div> <p>Mask (449BJ41) Lens (Green) (p/n 443CB3) Faceplate Thickness (1.0/0.040) PC Board (p/n AAA26800AHZ2)</p>	<p><b>7069AG60</b> <b>A7069AG60</b> Car Position Indicator</p> <div style="border: 1px solid black; padding: 5px; display: inline-block; font-size: 2em; font-weight: bold;">P L</div> <p>Mask (449BJ42) Lens (Green) (p/n 443CB3) Faceplate Thickness (1.0/0.040) PC Board (p/n AAA26800AHZ2)</p>
<p><b>7069AG61</b> <b>A7069AG61</b> Car Position Indicator</p> <div style="border: 1px solid black; padding: 5px; display: inline-block; font-size: 2em; font-weight: bold;">G 1</div> <p>Mask (449BJ43) Lens (Green) (p/n 443CB3) Faceplate Thickness (1.0/0.040) PC Board (p/n AAA26800AHZ2)</p>	<p><b>7069AG62</b> <b>A7069AG62</b> Car Position Indicator</p> <div style="border: 1px solid black; padding: 5px; display: inline-block; font-size: 2em; font-weight: bold;">G 2</div> <p>Mask (449BJ44) Lens (Green) (p/n 443CB3) Faceplate Thickness (1.0/0.040) PC Board (p/n AAA26800AHZ2)</p>	<p><b>7069AG63</b> <b>A7069AG63</b> Car Position Indicator</p> <div style="border: 1px solid black; padding: 5px; display: inline-block; font-size: 2em; font-weight: bold;">B G</div> <p>Mask (449BJ45) Lens (Green) (p/n 443CB3) Faceplate Thickness (1.0/0.040) PC Board (p/n AAA26800AHZ2)</p>
<p><b>7069AG64</b> <b>A7069AG64</b> Car Position Indicator</p> <div style="border: 1px solid black; padding: 5px; display: inline-block; font-size: 2em; font-weight: bold;">4 5</div> <p>Mask (449BJ46) Lens (Green) (p/n 443CB3) Faceplate Thickness (1.0/0.040) PC Board (p/n AAA26800AHZ2)</p>	<p><b>7069AG65</b> <b>A7069AG65</b> Upper Deck (Car)</p> <div style="border: 1px solid black; padding: 5px; display: inline-block; font-size: 1.2em; font-weight: bold;">Lower deck being served</div> <p>Mask (449BJ48) Lens (Red) (p/n 443CB1) Faceplate Thickness (1.0/0.040) PC Board (p/n AAA26800AHZ1)</p>	<p><b>7069AG66</b> <b>A7069AG66</b> Lower Deck (Car)</p> <div style="border: 1px solid black; padding: 5px; display: inline-block; font-size: 1.2em; font-weight: bold;">Upper deck being served</div> <p>Mask (449BJ49) Lens (Green) (p/n 443CB3) Faceplate Thickness (1.0/0.040) PC Board (p/n AAA26800AHZ2)</p>

# 31-7069AG

# Type 7069AG Jewel Modules

<p><b>7069AG67</b> <b>A7069AG67</b> Upper &amp; Lower Deck (Car)</p> <p>Mask (449BJ50) Lens (Red) (p/n 443CB1) Faceplate Thickness (1.0/0.040) PC Board (p/n AAA26800AHZ1)</p>	<p><i>All floors being served</i></p>	<p><b>7069AG68</b> <b>A7069AG68</b> Upper or Lower Deck (Car)</p> <p>Mask (449BJ51) Lens (Red) (p/n 443CB1) Faceplate Thickness (1.0/0.040) PC Board (p/n AAA26800AHZ1)</p>	<p><i>Odd floors being served</i></p>	<p><b>7069AG69</b> <b>A7069AG69</b> Upper or Lower Deck (Car)</p> <p>Mask (449BJ52) Lens (Red) (p/n 443CB1) Faceplate Thickness (1.0/0.040) PC Board (p/n AAA26800AHZ1)</p>	<p><i>Even floors being served</i></p>
<p><b>7069AG70</b> <b>A7069AG70</b> Double Deck (Lobby Panel)</p> <p>Mask (449BJ53) Lens (Red) (p/n 443CB1) Faceplate Thickness (1.0/0.040) PC Board (p/n AAA26800AHZ1)</p>	<p><i>Lower deck on indep. serv.</i></p>	<p><b>7069AG71</b> <b>A7069AG71</b> Double Deck (Lobby Panel)</p> <p>Mask (449BJ54) Lens (Red) (p/n 443CB1) Faceplate Thickness (1.5/0.060) PC Board (p/n AAA26800AHZ1)</p>	<p><i>Upper deck on indep. serv.</i></p>	<p><b>7069AG72</b> <b>A7069AG72</b> Emergency Power (Hall)</p> <p>Mask (449BJ5) Lens (Red) (p/n 443CB1) Faceplate Thickness (3.2/0.125) PC Board (p/n AAA26800AHZ1)</p>	<p><i>EP1 EP2</i></p>
<p><b>7069AG73</b> <b>A7069AG73</b> Priority Service (Hall)</p> <p>Mask (449BJ9) Lens (Red) (p/n 443CB1) Faceplate Thickness (3.2/0.125) PC Board (p/n AAA26800AHZ1)</p>	<p><i>Priority service</i></p>	<p><b>7069AG74</b> <b>A7069AG74</b> Group Security (Hall)</p> <p>Mask (449BJ10) Lens (Red) (p/n 443CB1) Faceplate Thickness (3.2/0.125) PC Board (p/n AAA26800AHZ1)</p>	<p><i>Group security</i></p>	<p><b>7069AG75</b> <b>A7069AG75</b> Priority Service (Hall) (ETO, French)</p> <p>Mask (449BJ23) Lens (Red) (p/n 443CB1) Faceplate Thickness (3.2/0.125) PC Board (p/n AAA26800AHZ1)</p>	<p><i>Ne pas emprunter le prochain appareil</i></p>
<p><b>7069AG76</b> <b>A7069AG76</b> Emergency Hospital Service (Hall) (ETO, German)</p> <p>Mask (449BJ24) Lens (Red) (p/n 443CB1) Faceplate Thickness (3.2/0.125) PC Board (p/n AAA26800AHZ1)</p>	<p><i>Sonderfahrt</i></p>	<p><b>7069AG77</b> <b>A7069AG77</b> Express Hospital Service (Hall) (ETO, German)</p> <p>Mask (449BJ25) Lens (Red) (p/n 443CB1) Faceplate Thickness (1.0/0.040) PC Board (p/n AAA26800AHZ1)</p>	<p><i>Vorzugsfahrt</i></p>	<p><b>7069AG78</b> <b>A7069AG78</b> Group Security (ETO, French)</p> <p>Mask (449BJ28) Lens (Red) (p/n 443CB1) Faceplate Thickness (3.2/0.125) PC Board (p/n AAA26800AHZ1)</p>	<p><i>Systeme secure</i></p>
<p><b>7069AG79</b> <b>A7069AG79</b> Group Security (ETO, German)</p> <p>Mask (449BJ29) Lens (Red) (p/n 443CB1) Faceplate Thickness (3.2/0.125) PC Board (p/n AAA26800AHZ1)</p>	<p><i>Gruppensicherheit</i></p>	<p><b>7069AG80</b> <b>A7069AG80</b> Car Position Indicator</p> <p>Mask (449BJ55) Lens (Clear) (p/n 443CB2) Faceplate Thickness (3.2/0.125) PC Board (p/n AAA26800AHZ3)</p>	<p><b>SS RC</b></p>	<p><b>7069AG81</b> <b>A7069AG81</b> Car Position Indicator</p> <p>Mask (449BJ56) Lens (Clear) (p/n 443CB2) Faceplate Thickness (3.2/0.125) PC Board (p/n AAA26800AHZ3)</p>	<p><b>RC 1</b></p>



# Type 7069AG Jewel Modules

**31-7069AG**

<p><b>7069AG82</b> <b>A7069AG82</b> Car Position Indicator</p> <p>Mask (449BJ57) Lens (Clear) (p/n 443CB2) Faceplate Thickness (3.2/0.125) PC Board (p/n AAA26800AHZ3)</p>	<p><b>P1 G</b></p>	<p><b>7069AG83</b> <b>A7069AG83</b> Hall Position Indicator</p> <p>Mask (449BJ55) Lens (Clear) (p/n 443CB2) Faceplate Thickness (3.2/0.125) PC Board (p/n AAA26800AHZ3)</p>	<p><b>SS RC</b></p>	<p><b>7069AG84</b> <b>A7069AG84</b> Hall Position Indicator</p> <p>Mask (449BJ56) Lens (Green) (p/n 443CB3) Faceplate Thickness (3.2/0.125) PC Board (p/n AAA26800AHZ2)</p>	<p><b>RC 1</b></p>
<p><b>7069AG85</b> <b>A7069AG85</b> Hall Position Indicator</p> <p>Mask (449BJ57) Lens (Green) (p/n 443CB3) Faceplate Thickness (3.2/0.125) PC Board (p/n AAA26800AHZ2)</p>	<p><b>P1 G</b></p>	<p><b>7069AG86</b> <b>A7069AG86</b> Car Position Indicator</p> <p>Mask (449BJ58) Lens (Clear) (p/n 443CB2) Faceplate Thickness (3.2/0.125) PC Board (p/n AAA26800AHZ3)</p>	<p><b>RC 2</b></p>	<p><b>7069AG87</b> <b>A7069AG87</b> Hall Position Indicator</p> <p>Mask (449BJ58) Lens (Green) (p/n 443CB3) Faceplate Thickness (3.2/0.125) PC Board (p/n AAA26800AHZ2)</p>	<p><b>RC 2</b></p>
<p><b>7069AG88</b> <b>A7069AG88</b> Hall Position Indicator</p> <p>Mask (449BJ60) Lens (Green) (p/n 443CB3) Faceplate Thickness (3.2/0.125) PC Board (p/n AAA26800AHZ2)</p>	<p><b>T 2</b></p>	<p><b>7069AG89</b> <b>A7069AG89</b> Car Position Indicator</p> <p>Mask (449BJ60) Lens (Clear) (p/n 443CB2) Faceplate Thickness (3.2/0.125) PC Board (p/n AAA26800AHZ3)</p>	<p><b>T 2</b></p>	<p><b>7069AG90</b> <b>A7069AG90</b> Hall Position Indicator</p> <p>Mask (449BJ59) Lens (Green) (p/n 443CB3) Faceplate Thickness (3.2/0.125) PC Board (p/n AAA26800AHZ2)</p>	<p><b>T 1</b></p>
<p><b>7069AG91</b> <b>A7069AG91</b> Car Position Indicator</p> <p>Mask (449BJ59) Lens (Clear) (p/n 443CB2) Faceplate Thickness (3.2/0.125) PC Board (p/n AAA26800AHZ3)</p>	<p><b>T 1</b></p>	<p><b>7069AG92</b> <b>A7069AG92</b> Elevator Emergency Power</p> <p>Mask (449BJ63) Lens (Red) (p/n 443CB1) Faceplate Thickness (1.0/0.040) PC Board (p/n AAA26800AHZ1)</p>	<p><i>Elevator emergency power</i></p>	<p><b>7069AG93</b> <b>A7069AG93</b> Emergency Recall</p> <p>Mask (449BJ64) Lens (Red) (p/n 443CB1) Faceplate Thickness (1.0/0.040) PC Board (p/n AAA26800AHZ1)</p>	<p><i>Emergency recall</i></p>
<p><b>7069AG94</b> <b>A7069AG94</b> Emergency Recall, On, Off (B44)</p> <p>Mask (449BJ65) Lens (Red w/text) (p/n 443CB4) Faceplate Thickness (1.0/0.040) PC Board (p/n AAA26800AHZ1)</p>	<p><i>EMERGENCY RECALL ON OFF</i></p>	<p><b>7069AG95</b> <b>A7069AG95</b> Emergency</p> <p>Mask (449BJ66) Lens (Red) (p/n 443CB1) Faceplate Thickness (3.2/0.125) PC Board (p/n AAA26800AHZ1)</p>	<p><i>Emergency</i></p>	<p><b>7069AG96</b> <b>A7069AG96</b> Elevator Emergency Power</p> <p>Mask (449BJ63) Lens (Red) (p/n 443CB1) Faceplate Thickness (3.2/0.125) PC Board (p/n AAA26800AHZ1)</p>	<p><i>Elevator Emergency power</i></p>

# 31-7069AG

# Type 7069AG Jewel Modules

<p><b>7069AG97</b> <b>A7069AG97</b> Emergency Recall</p> <div style="border: 1px solid black; padding: 5px; width: fit-content; margin: 10px auto;">Emergency recall</div> <p>Mask (449BJ64) Lens (Red) (p/n 443CB1) Faceplate Thickness (3.2/0.125) PC Board (p/n AAA26800AHZ1)</p>	<p><b>7069AG98</b> <b>A7069AG98</b> Emergency Recall, On, Off (B44)</p> <div style="border: 1px solid black; padding: 5px; width: fit-content; margin: 10px auto;">EMERGENCY RECALL ON OFF</div> <p>Mask (449BJ65) Lens (Red) (p/n 443CB1) Faceplate Thickness (3.2/0.125) PC Board (p/n AAA26800AHZ1)</p>	<p><b>7069AG99</b> <b>A7069AG99</b> Emergency</p> <div style="border: 1px solid black; padding: 5px; width: fit-content; margin: 10px auto;">Emergency</div> <p>Mask (449BJ66) Lens (Red) (p/n 443CB1) Faceplate Thickness (3.2/0.125) PC Board (p/n AAA26800AHZ1)</p>
<p><b>7069AG100</b> <b>A7069AG100</b> PH 1</p> <div style="border: 1px solid black; padding: 5px; width: fit-content; margin: 10px auto;"></div> <p>Mask (449BJ68) Lens (Red) (p/n 443CB1) Faceplate Thickness (1.0/0.040) PC Board (p/n AAA26800AHZ1)</p>	<p><b>7069AG101</b> <b>A7069AG101</b> PH 1</p> <div style="border: 1px solid black; padding: 5px; width: fit-content; margin: 10px auto;"></div> <p>Mask (449BJ68) Lens (Red) (p/n 443CB1) Faceplate Thickness (3.2/0.125) PC Board (p/n AAA26800AHZ1)</p>	<p><b>7069AG102</b> <b>A7069AG102</b> Priority Service (French Can.)</p> <div style="border: 1px solid black; padding: 5px; width: fit-content; margin: 10px auto;">Service prioritaire</div> <p>Mask (449BJ69) Lens (Red) (p/n 443CB1) Faceplate Thickness (1.0/0.040) PC Board (p/n AAA26800AHZ1)</p>
<p><b>7069AG103</b> <b>A7069AG103</b> Emergency Recall (B44) (French Can.)</p> <div style="border: 1px solid black; padding: 5px; width: fit-content; margin: 10px auto;">Rappel de secours</div> <p>Mask (449BJ62) Lens (Red) (p/n 443CB1) Faceplate Thickness (1.0/0.040) PC Board (p/n AAA26800AHZ1)</p>	<p><b>7069AG104</b> <b>A7069AG104</b> Priority Service (French Can.)</p> <div style="border: 1px solid black; padding: 5px; width: fit-content; margin: 10px auto;">Service prioritaire</div> <p>Mask (449BJ69) Lens (Red) (p/n 443CB1) Faceplate Thickness (3.2/0.125) PC Board (p/n AAA26800AHZ1)</p>	<p><b>7069AG105</b> <b>A7069AG105</b> Emergency Recall, On, Off (B44) (French Can.)</p> <div style="border: 1px solid black; padding: 5px; width: fit-content; margin: 10px auto;">RAPPEL DE SECOURS ON OFF</div> <p>Mask (449BJ65) Lens (Red w/text) (p/n 443CB5) Faceplate Thickness (1.0/0.040) PC Board (p/n AAA26800AHZ1)</p>
<p><b>7069AG106</b> <b>A7069AG106</b> Emergency Recall, On, Off (B44) (French Can.)</p> <div style="border: 1px solid black; padding: 5px; width: fit-content; margin: 10px auto;">RAPPEL DE SECOURS ON OFF</div> <p>Mask (449BJ65) Lens (Red w/text) (p/n 443CB5) Faceplate Thickness (3.2/0.125) PC Board (p/n AAA26800AHZ1)</p>	<p><b>7069AG107</b> <b>A7069AG107</b> Emergency Recall (B44) (French Can.)</p> <div style="border: 1px solid black; padding: 5px; width: fit-content; margin: 10px auto;">Rappel de secours</div> <p>Mask (449BJ62) Lens (Red) (p/n 443CB1) Faceplate Thickness (3.2/0.125) PC Board (p/n AAA26800AHZ1)</p>	<p><b>7069AG108</b> <b>A7069AG108</b> Emergency Recall (Mass.)</p> <div style="border: 1px solid black; padding: 5px; width: fit-content; margin: 10px auto;">Medical Emergency</div> <p>Mask (449BJ70) Lens (Blue) (p/n 443CB6) Faceplate Thickness (1.0/0.040) PC Board (p/n AAA26800AHZ3)</p>
<p><b>7069AG109</b> <b>A7069AG109</b> Security (Car)</p> <div style="border: 1px solid black; padding: 5px; width: fit-content; margin: 10px auto;">Restricted Floor</div> <p>Mask (449BJ2) Lens (Red) (p/n 443CB1) Faceplate Thickness (3.2/0.125) PC Board (p/n AAA26800AHZ1)</p>	<p><b>7069AG110</b> <b>A7069AG110</b> Emergency Service (Car)</p> <div style="border: 1px solid black; padding: 5px; width: fit-content; margin: 10px auto;">Please exit when doors open</div> <p>Mask (449BJ3) Lens (Red) (p/n 443CB1) Faceplate Thickness (3.2/0.125) PC Board (p/n AAA26800AHZ1)</p>	<p><b>7069AG111</b> <b>A7069AG111</b> Blank</p> <div style="border: 1px solid black; width: fit-content; height: 40px; margin: 10px auto;"></div> <p>Mask (449BJ1) Lens (Clear) (p/n 443CB2) Faceplate Thickness (3.2/0.125) PC Board (p/n AAA26800AHZ3)</p>

# Type 7069AG Jewel Modules

## 31-7069AG

<p><b>7069AG112</b> <b>A7069AG112</b> Power (Car) (MG Pilot)</p> <p>Mask (449BJ6) Lens (Red) (p/n 443CB1) Faceplate Thickness (3.2/0.125) PC Board (p/n AAA26800AHZ1)</p>	<p><b>7069AG113</b> <b>A7069AG113</b> Elevator Emergency Power</p> <p>Mask (449BJ65) Lens (Red w/text) (p/n 443CB7) see <b>NOTE</b> Faceplate Thickness (1.0/0.040) PC Board (p/n AAA26800AHZ1)</p>	<p><b>7069AG114</b> <b>A7069AG114</b> Emergency Recall (B44) (French Can.)</p> <p>Mask (449BJ65) Lens (Red w/text) (p/n 443CB8) see <b>NOTE</b> Faceplate Thickness (1.0/0.040) PC Board (p/n AAA26800AHZ1)</p>
<p><b>7069AG115</b> <b>A7069AG115</b> Elevator Emergency Power</p> <p>Mask (449BJ65) Lens (Red w/text) (p/n 443CB7) see <b>NOTE</b> Faceplate Thickness (3.2/0.125) PC Board (p/n AAA26800AHZ1)</p>	<p><b>7069AG116</b> <b>A7069AG116</b> Elevator Emergency Power (B44) (French Can.)</p> <p>Mask (449BJ65) Lens (Red w/text) (p/n 443CB8) see <b>NOTE</b> Faceplate Thickness (3.2/0.125) PC Board (p/n AAA26800AHZ1)</p>	<p><b>7069AG117</b> <b>A7069AG117</b></p> <p>Directions Arrows (Car)</p> <p>Mask (449BJ7) Lens (Green) Faceplate Thickness (3.2/0.125) PC Board (p/n AAA26800AHZ2)</p>
<p><b>7069AG118</b> <b>A7069AG118</b> Car to Lobby</p> <p>Mask (449BJ71) Lens (Green) (p/n 443CB3) Faceplate Thickness (1.0/0.040) PC Board (p/n AAA26800AHZ2)</p>	<p><b>7069AG119</b> <b>A7069AG119</b> Alarm (Hall, 12 V)</p> <p>Mask (449BJ72) Lens (Red) (p/n 443CB1) Faceplate Thickness (1.0/0.040) PC Board (p/n AAA26800AHZ1)</p>	<p><b>7069AG120</b> <b>A7069AG120</b> Stand-by Power</p> <p>Mask (449BJ74) Lens (Red) (p/n 443CB1) Faceplate Thickness (3.2/0.125) PC Board (p/n AAA26800AHZ1)</p>
<p><b>7069AG121</b> <b>A7069AG121</b> Stand-by Power</p> <p>Mask (449BJ73) Lens (Red) (p/n 443CB1) Faceplate Thickness (3.2/0.125) PC Board (p/n AAA26800AHZ1)</p>	<p><b>7069AG122</b> <b>A7069AG122</b> Alarm Received (Car, 12 V)</p> <p>Mask (449BJ75) Lens (Red) (p/n 443CB1) Faceplate Thickness (1.0/0.040) PC Board (p/n AAA26800AHZ1)</p>	<p><b>7069AG123</b> <b>A7069AG123</b> Medical Emergency (Mass.)</p> <p>Mask (449BJ70) Lens (Blue) (p/n 443CB6) Faceplate Thickness (3.2/0.125) PC Board (p/n AAA26800AHZ3)</p>
<p><b>7069AG124</b> <b>A7069AG124</b> Security (Province of Quebec)</p> <p>Mask (449BJ78) Lens (Red) (p/n 443CB1) Faceplate Thickness (1.0/0.040) PC Board (p/n AAA26800AHZ1)</p>	<p><b>7069AG125</b> <b>A7069AG125</b> Phase II (Province of Quebec)</p> <p>Mask (449BJ79) Lens (Red) (p/n 443CB1) Faceplate Thickness (1.0/0.040) PC Board (p/n AAA26800AHZ1)</p>	<p><b>7069AG126</b> <b>A7069AG126</b> Emergency Service (Car) (Province of Quebec)</p> <p>Mask (449BJ89) Lens (Red) (p/n 443CB1) Faceplate Thickness (1.0/0.040) PC Board (p/n AAA26800AHZ1)</p>

**NOTE:** These jewels each have a mask marked: ON OFF. Additional text shown is from the jewel's lens.

**31-7069AG****Type 7069AG Jewel Modules**

<p><b>7069AG127</b> <b>A7069AG127</b></p> <p style="text-align: center;">S.E.S. Phase II</p> <p>SES Phase II</p> <p>Mask (449BJ76) Lens (Red) (p/n 443CB1) Faceplate Thickness (1.0/0.040) PC Board (p/n AAA26800AHZ1)</p>	<p><b>7069AG128</b> <b>A7069AG128</b></p> <p style="text-align: center;">RAPPEL DE SECOURS</p> <p>Emergency Recall (Province of Quebec)</p> <p>Mask (449BJ77) Lens (Red w/text) (p/n 443CB5) Faceplate Thickness (1.0/0.040) PC Board (p/n AAA26800AHZ1)</p>	<p><b>7069AG129</b> <b>A7069AG129</b></p> <p style="text-align: center;">ALARME</p> <p>Alarm (Province of Quebec)</p> <p>Mask (449BJ90) Lens (Red) (p/n 443CB1) Faceplate Thickness (1.0/0.040) PC Board (p/n AAA26800AHZ1)</p>
<p><b>7069AG130</b> <b>A7069AG130</b></p> <p style="text-align: center;">Alarm received</p> <p>Alarm Received (Car, 6 V)</p> <p>Mask (449BJ75) Lens (Red) (p/n 443CB1) Faceplate Thickness (3.2/0.125) PC Board (p/n AAA26800AHZ1)</p>	<p><b>7069AG131</b> <b>A7069AG131</b></p> <p style="text-align: center;">ALARM</p> <p>Alarm (Hall, 6 V)</p> <p>Mask (449BJ72) Lens (Red) (p/n 443CB1) Faceplate Thickness (3.2/0.125) PC Board (p/n AAA26800AHZ1)</p>	<p><b>7069AG132</b> <b>A7069AG132</b></p> <p style="text-align: center;">Service Prioritaire</p> <p>Express Priority (French)</p> <p>Mask (449BJ69) Lens (Red) (p/n 443CB1) Faceplate Thickness (3.2/0.125) PC Board (p/n AAA26800AHZ1)</p>
<p><b>7069AG133</b> <b>A7069AG133</b></p> <p style="text-align: center;">Rappel de secours</p> <p>Phase I (French)</p> <p>Mask (449BJ62) Lens (Red) (p/n 443CB1) Faceplate Thickness (1.0/0.040) PC Board (p/n AAA26800AHZ1)</p>	<p><b>7069AG134</b> <b>A7069AG134</b></p> <p style="text-align: center;">Alimentation de secours</p> <p>Emergency Power (French)</p> <p>Mask (449BJ97) Lens (Red) (p/n 443CB1) Faceplate Thickness (1.0/0.040) PC Board (p/n AAA26800AHZ1)</p>	<p><b>7069AG135</b> <b>A7069AG135</b></p> <p style="text-align: center;">Sécurité de groupe</p> <p>Group Security (French)</p> <p>Mask (449BJ94) Lens (Red) (p/n 443CB1) Faceplate Thickness (1.0/0.040) PC Board (p/n AAA26800AHZ1)</p>
<p><b>7069AG136</b> <b>A7069AG136</b></p> <p style="text-align: center;">Cabine au hall</p> <p>Car-to-Lobby (French)</p> <p>Mask (449BJ95) Lens (Clear Natural) (p/n 443CB2) Faceplate Thickness (3.2/0.125) PC Board (p/n AAA26800AHZ3)</p>	<p><b>7069AG137</b> <b>A7069AG137</b></p> <p style="text-align: center;">Rappel de secours</p> <p>Phase I (French)</p> <p>Mask (449BJ62) Lens (Red) (p/n 443CB1) Faceplate Thickness (3.2/0.125) PC Board (p/n AAA26800AHZ1)</p>	<p><b>7069AG138</b> <b>A7069AG138</b></p> <p style="text-align: center;">Alimentation de secours</p> <p>Emergency Power (French)</p> <p>Mask (449BJ97) Lens (Red) (p/n 443CB1) Faceplate Thickness (3.2/0.125) PC Board (p/n AAA26800AHZ1)</p>
<p><b>7069AG139</b> <b>A7069AG139</b></p> <p style="text-align: center;">Sécurité de groupe</p> <p>Group Security (French)</p> <p>Mask (449BJ94) Lens (Red) (p/n 443CB1) Faceplate Thickness (3.2/0.125) PC Board (p/n AAA26800AHZ1)</p>	<p><b>7069AG140</b> <b>A7069AG140</b></p> <p style="text-align: center;">Service Prioritaire Priority Service</p> <p>Express Priority (French / English)</p> <p>Mask (449BJ86) Lens (Red) (p/n 443CB1) Faceplate Thickness (1.0/0.040) PC Board (p/n AAA26800AHZ1)</p>	<p><b>7069AG141</b> <b>A7069AG141</b></p> <p style="text-align: center;">Rappel de secours Fire recall</p> <p>Phase I (French / English)</p> <p>Mask (449BJ102) Lens (Red) (p/n 443CB1) Faceplate Thickness (3.2/0.125) PC Board (p/n AAA26800AHZ1)</p>

# Type 7069AG Jewel Modules

**31-7069AG**

<p><b>7069AG142</b> <b>A7069AG142</b> Emergency Power (French / English)</p> <div style="border: 1px solid black; padding: 2px; width: fit-content; margin: 10px auto;">Alimentation de secours Elevator emergency power</div> <p>Mask (449BJ103) Lens (Red) (p/n 443CB1) Faceplate Thickness (1.0/0.040) PC Board (p/n AAA26800AHZ1)</p>	<p><b>7069AG143</b> <b>A7069AG143</b> Group Security (French / English)</p> <div style="border: 1px solid black; padding: 2px; width: fit-content; margin: 10px auto;">Sécurité de groupe Group security</div> <p>Mask (449BJ98) Lens (Red) (p/n 443CB1) Faceplate Thickness (1.0/0.040) PC Board (p/n AAA26800AHZ1)</p>	<p><b>7069AG144</b> <b>A7069AG144</b> Car-to-Lobby (French / English)</p> <div style="border: 1px solid black; padding: 2px; width: fit-content; margin: 10px auto;">Cabine au hall Car to lobby</div> <p>Mask (449BJ100) Lens (Clear Natural) (p/n 443CB2) Faceplate Thickness (3.2/0.125) PC Board (p/n AAA26800AHZ3)</p>
<p><b>7069AG145</b> <b>A7069AG145</b> Phase I (French / English)</p> <div style="border: 1px solid black; padding: 2px; width: fit-content; margin: 10px auto;">Rappel de secours Fire recall</div> <p>Mask (449BJ102) Lens (Red) (p/n 443CB1) Faceplate Thickness (3.2/0.125) PC Board (p/n AAA26800AHZ1)</p>	<p><b>7069AG146</b> <b>A7069AG146</b> Emergency Power (French / English)</p> <div style="border: 1px solid black; padding: 2px; width: fit-content; margin: 10px auto;">Alimentation de secours Elevator emergency power</div> <p>Mask (449BJ103) Lens (Red) (p/n 443CB1) Faceplate Thickness (3.2/0.125) PC Board (p/n AAA26800AHZ1)</p>	<p><b>7069AG147</b> <b>A7069AG147</b> Emergency Power (French / English)</p> <div style="border: 1px solid black; padding: 2px; width: fit-content; margin: 10px auto;">Sécurité de groupe Group security</div> <p>Mask (449BJ98) Lens (Red) (p/n 443CB1) Faceplate Thickness (3.2/0.125) PC Board (p/n AAA26800AHZ1)</p>
<p><b>7069AG148</b> <b>A7069AG148</b> Car Arrived</p> <div style="border: 1px solid black; padding: 2px; width: fit-content; margin: 10px auto;">Car arrived with doors open</div> <p>Mask (449BJ106) Lens (Red) (p/n 443CB1) Faceplate Thickness (3.2/0.125) PC Board (p/n AAA26800AHZ1)</p>	<p><b>7069AG149</b> <b>A7069AG149</b> Car Arrived (French)</p> <div style="border: 1px solid black; padding: 2px; width: fit-content; margin: 10px auto;">Cabine arriv'ee portes ouvertes</div> <p>Mask (449BJ107) Lens (Red) (p/n 443CB1) Faceplate Thickness (3.2/0.125) PC Board (p/n AAA26800AHZ1)</p>	