

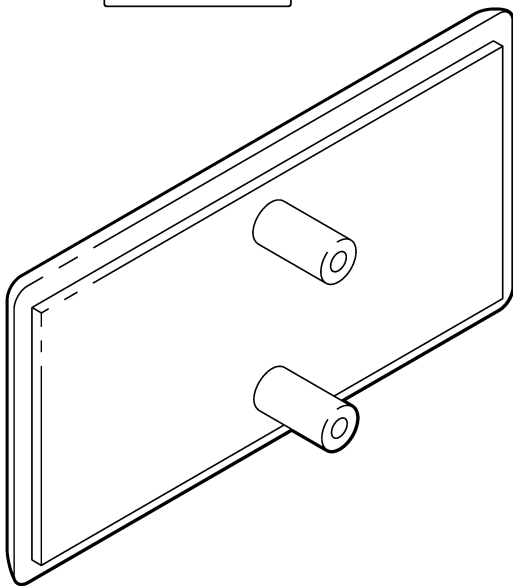
Lens, Jewel

Spare Parts Leaflet

31-443CB

October 23, 2024 / Page 1 of 4

**W/O
VINTAGE**



OTIS

This document does not contain any technical data subject to EAR or ITAR

SERVICE ENGINEERING
Otis Elevator Company
Bloomfield, Connecticut USA

Unpublished Work—© Otis Elevator Co.; 2024

History

31-443CB

Leaflet Description

This leaflet provides spare parts information for type 443CB jewel lenses.

Leaflet Revisions

Date Revised	Subject Matter Expert	Reason for Revision
April 1, 2000	Val Minnes	New Leaflet
October 23, 2024	Vadzim Fedarenka	New revision; added 443CB13–15 on p. 3; added related drawings & documents.

Related Drawings

Drawing No.	Title	Drawing No.	Title
7069AG	Jewel Module	A7069AG	Jewel Module
AAA7069AAR	Jewel Module	AAA7069AAE	Jewel Module
AAA7069BB	Jewel Module		

Related Documents

Document ID	Title
SPL 31-7069AG	Jewel Modules for Hall and Car Panels; 3-Wire Configuration with Incandescent Lamps / LED Options
SPL 31-AAA7069AAE	Advances Fixtures: Message Indicator Modules (MIM)
SPL 31-AAA7069AAR	Jewel Modules, Advanced Fixtures
SPL 31-AAA7069BB	Jewel Module, Type AAA7069BB
SPL 31-AAA25000AAB	Car Operating Panel Elevonic 411
SPL 31-AAA25000DE	Car Operating Panel (Modernization)
SPL C-3032A	Fixtures, Advanced Hall Position Indicators (Raised Faceplate Design) ADFIX

Subject Matter Expert

Name	Department
Vadzim Fedarenka & Ayush Desai	OSC Service Engineering, Bloomfield, CT

About Spare Parts Leaflets...

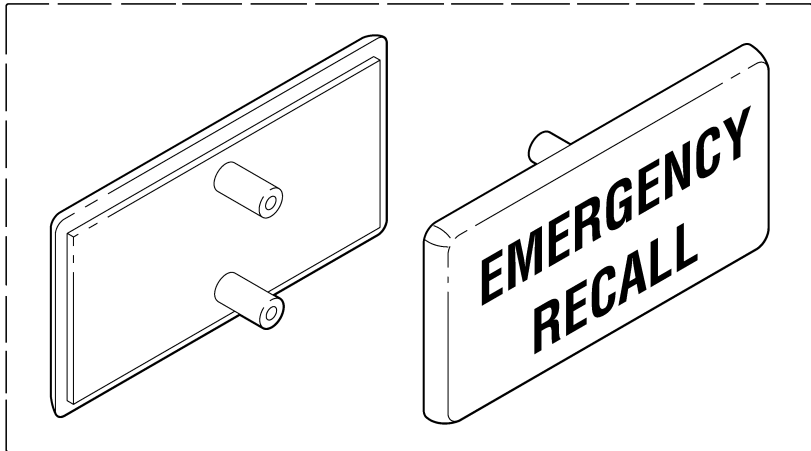
This document lists the lowest replaceable units (LRUs) for the standard version of the product. The LRUs are chosen by a team of Otis associates representing engineering and manufacturing.

While goal of this document is to make parts identification as easy as possible, the document cannot be all-inclusive. Elevator and escalator contracts classified as “special” or “custom” are not addressed here. For such contracts, please refer to specified information, the contract folder, TIPS, Field Education Articles, Construction Letters, etc. for further information.

If you have any suggestions about this document, please contact the subject matter expert listed on this page.

Type 443CB Jewel Lens

31-443CB



Part 443CB4 Shown

		VINTAGE		
REF. No.	PART No.	LENS COLOR	INK COLOR	MARKING
1	443CB1	Transparent Red	---	(Blank)
	443CB2	Transparent Natural	---	(Blank)
	443CB3	Transparent Green	---	(Blank)
	443CB4	Transparent Red	White	EMERGENCY RECALL
	443CB5	Transparent Red	White	RAPPEL DE SECOURS
	443CB6	Transparent Blue	---	(Blank)
	443CB7	Transparent Red	White	ELEVATOR EMERGENCY POWER
	443CB8	Transparent Red	White	ALIMENTATION DE SECOURS
	443CB9	Transparent Red	White	ELEV.EMERG. POWER ALIMENTATION DE SECOURS
	443CB10	Transparent Red	White	ALIMENTATION DE SECOURS ELEV. EMERG. POWER
	443CB11	Transparent Red	White	EMERGENCY RECALL RAPPEL DESECOURS
	443CB12	Transparent Red	White	RAPPEL DESECOURS EMERGENCY RECALL
	443CB13	Transparent Blue	White	MEDICAL EMERGENCY
	443CB14	Transparent Amber	White	ELEVATOR EMERGENCY POWER
	443CB15	Transparent Amber	---	(Blank)
	443CB16	Transparent Gray	---	(Blank)