

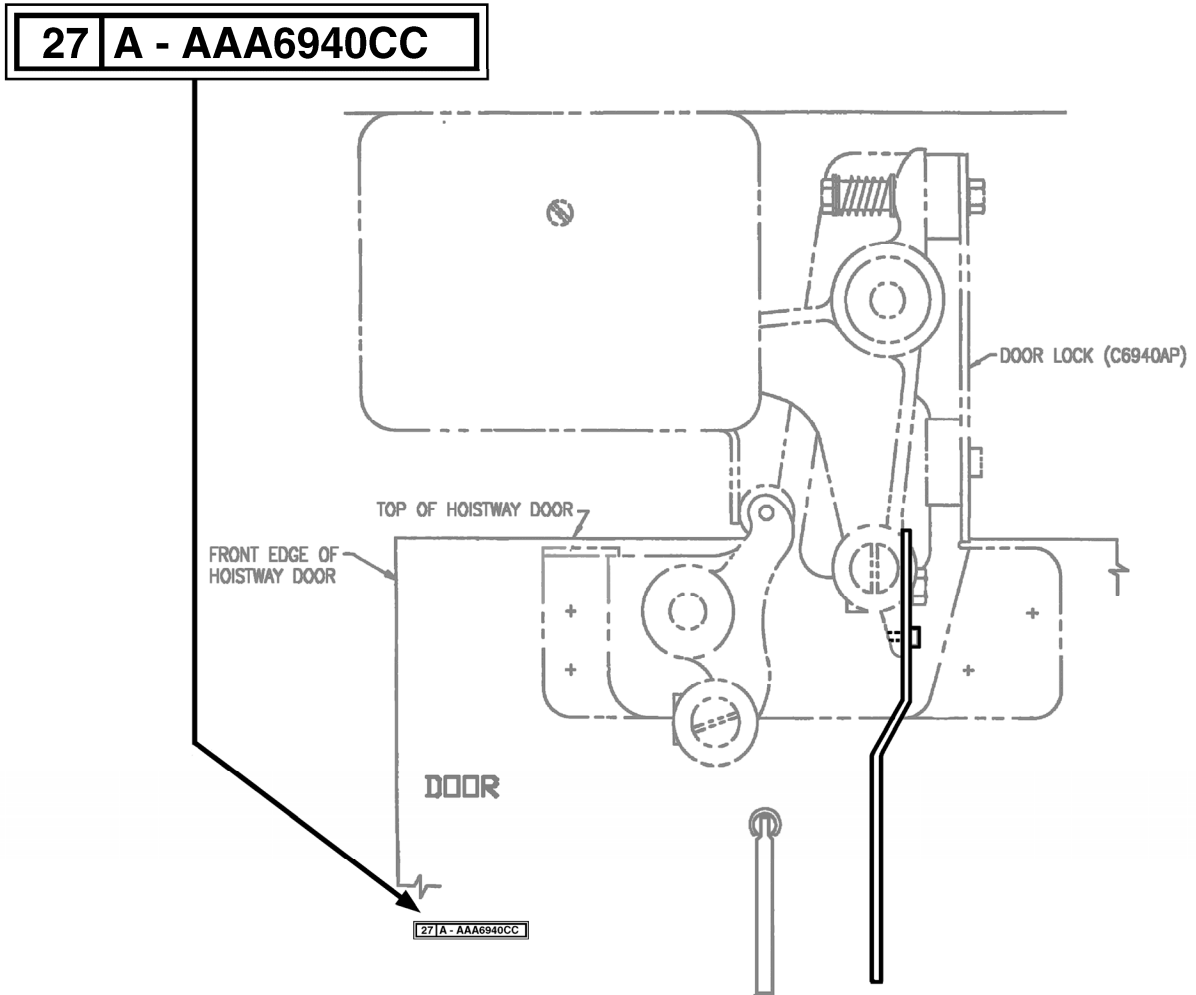
Emergency & Access Key Device

(Entrance Height <88.3 in.)

Spare Parts Leaflet

27-AAA6940CC

August 15, 2006 / Page 1 of 3



OTIS

Safety First!

SERVICE ENGINEERING
Otis Elevator Company
Bloomfield, Connecticut USA

Leaflet Description

Lowest replaceable parts for AAA6940CC emergency and access key device.

Leaflet Revisions

| Date Revised | Subject Matter Expert | Reason for Revision |
|---------------------|------------------------------|--|
| February 12, 2003 | Duane Stupienski | New SPL |
| August 15, 2006 | Diem Tran | Update bushing guide clamp p/n on p. 3 |

Related Drawings

| Drawing No. | Title |
|--------------------|--|
| AAA6940CC | Arrangement Service Emergency and Access Key Device for Entrance Height Less than 88.3 in. |
| | |

Related Documents

| Document ID | Title |
|--------------------|--|
| 19-AAA6178CS | Integral Car Door Hanger and Track Assembly |
| 25-AAA24479A | Car & Hoistway Door Rollers & Guides: Integral & Applied Hangers |
| 27-AAA6940CA | Emergency Key Transmission Device (6940 Interlock) |
| 27-C6940AP | Interlock Assemblies and Door Closers |

Subject Matter Expert

| Name | Department |
|-------------|-------------------------|
| Diem Tran | OSC Service Engineering |

About Spare Parts Leaflets...

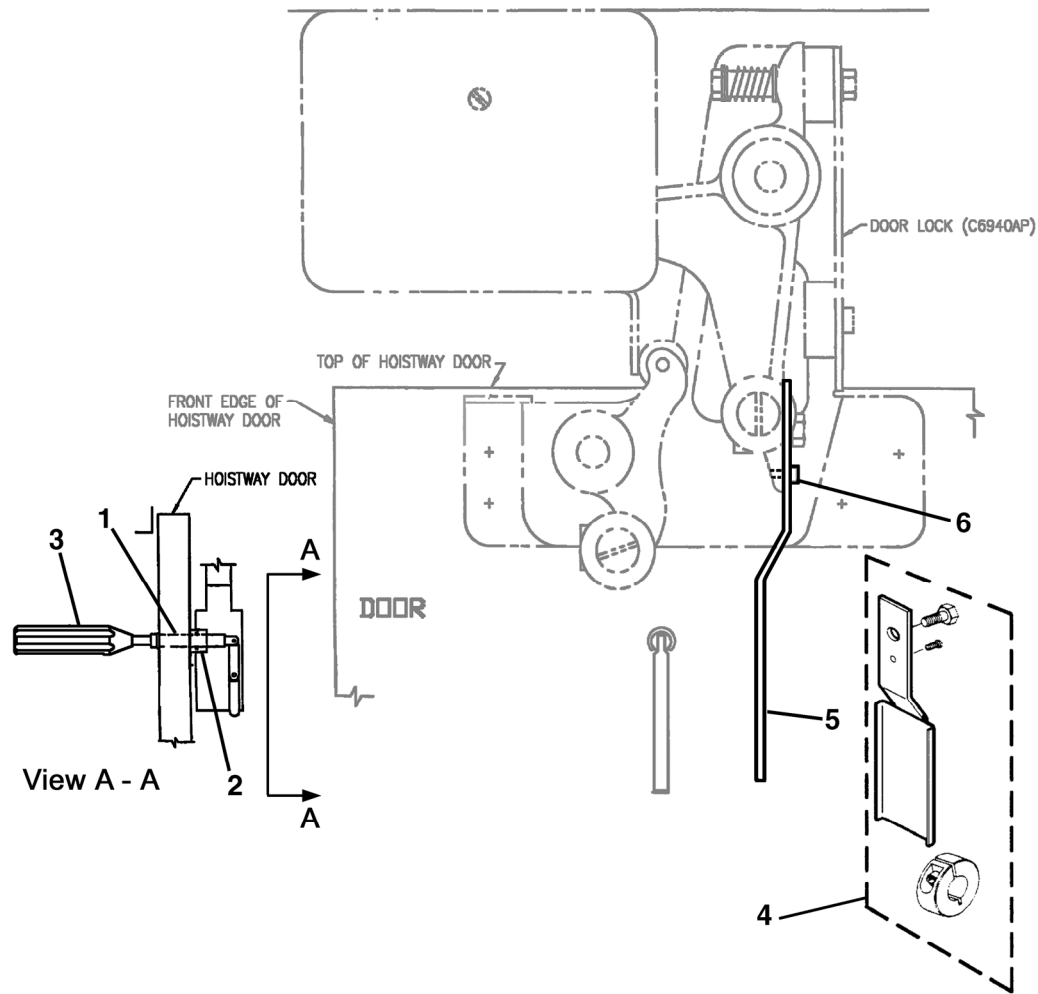
This document lists the lowest replaceable units (LRUs) for the standard version of the product. The LRUs are chosen by a team of Otis associates representing engineering and manufacturing.

While goal of this document is to make parts identification as easy as possible, the document cannot be all-inclusive. Elevator and escalator contracts classified as "special" or "custom" are not addressed here. For such contracts, please refer to specified information, the contract folder, TIPs, Field Education Articles, Construction Letters, etc. for further information.

If you have any suggestions about this document, please contact the subject matter expert listed on this page.

Emergency Key Device

27-AAA6940CC



| AAA6940CC | | |
|-----------|---------------------|--|
| REF. No. | PART No. | DESCRIPTION |
| 1 | 321CV5 | Bushing, Guide, Brass, 2.0 in. L |
| | 321CV3 | Bushing, Guide, Stainless Steel, 2.0 in. L |
| 2 | 340BJ2 | Collar, Clamp |
| | AAA340CW1 | Uni-Clamp (NOTE: If replacing p/n 340BJ2 with uni-clamp, must also order M12 plain washer p/n VP-904964) |
| 3 | AAA194AZ6 | Key, Emergency with Three Links (for door thickness >1.25 and ≤3.25 in.) |
| | AAA194AZ1 | Key, Emergency (for standard 1.25 in. door thickness) |
| 4 | AAA288ZU2 | Kit, Unlocking Lever, with (1) Lever, (1) Collar Clamp, (1) 1/4-20 x 0.625 in. L Thread-Rolling Screw, and (1) 8-32-3/8 Phillips Pan Head Thread-Cutting Screw NOTE: Service replacement for Material List 4514A30 |
| 5 | 288LS4 AAA288ZU1 | Lever, 8.0 in. L |
| 6 | 109P2 | Screw, Thread-Rolling, 1/4-20 x 0.625 in. L |