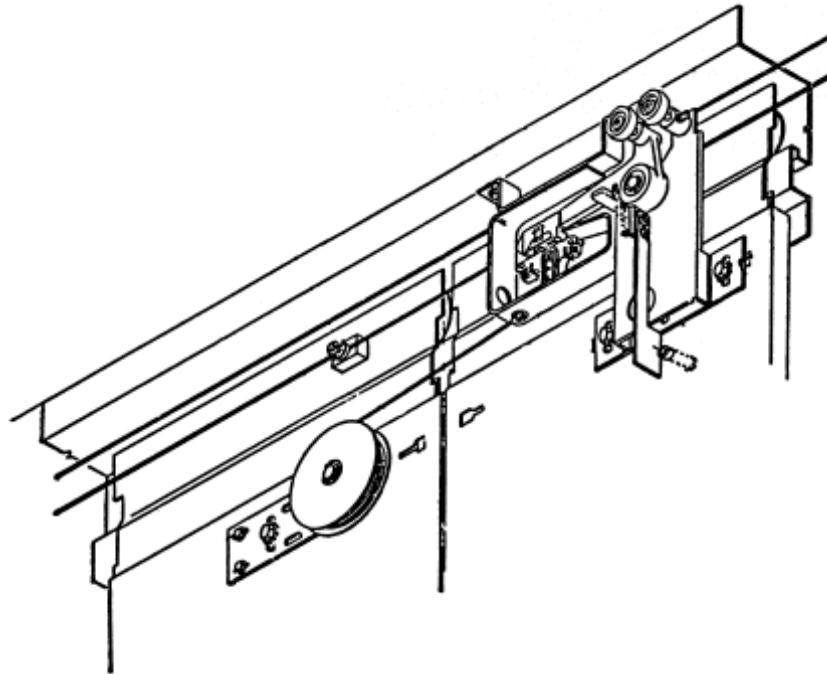


SPL 27-7740A - 7740A, D MRVF Interlock Assembly

Unpublished Work - © Otis Elevator Company. Any unauthorized reproduction, disclosure, or distribution of copies or content by any person of any portion of this work may be a violation of Copyright Law of the United States of America. All rights reserved.

Supersedes (in part) SPL C-1009F
November 1997

Page 1



SPL 27-7740A - 7740A, D MRVF Interlock Assembly

Page 2

FIRST PUBLISHED: November 1997

REVISED DATE	RESPONSIBLE ENGINEER	PRIMARY REASON FOR REVISION
11/97	Duane Stupienski	Supersedes (in part) SPL C-1009F

Leaflet Description

The information in this leaflet has been broken from SPL C1009-F. This new SPL describes the 7740A and 7740D MRVF interlocks used in screw operator (7777A) applications.

RELATED LEAFLETS

DRAWING REFERENCES
7740A
7740D

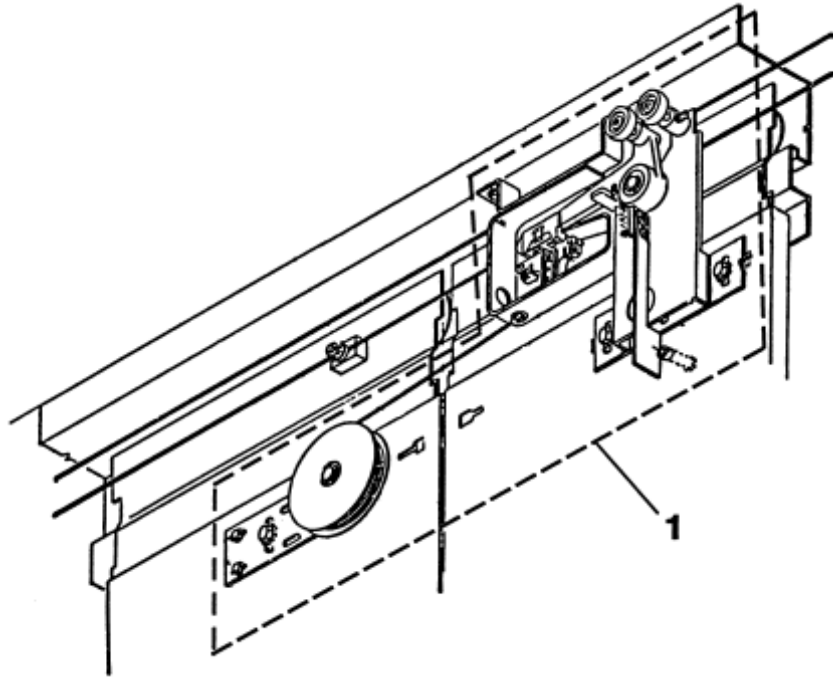
RELATED DOCUMENTS
SWP 23.1-A

This Spare Parts Leaflet (SPL) is prepared to assist you in determining the Lowest Replaceable Units (LRU) supported by the Otis Service Center for the standard version of the product titled on the preceding page. The parts are chosen by Otis associates from: Engineering, Field Service Engineering, and Manufacturing. We attempt to make part identification as easy as possible. The SPL, however, cannot be all inclusive. Elevator and escalator contracts classified as either "special" or "custom" are not addressed. Alternative sources of information such as: the Contract Folder, Technical Information Publications, Field Education Articles, Construction Letters, etc, may give the information you are after. You live in the real world of maintaining your elevator and escalator contracts. On a daily basis, situations arise regarding parts identification and at times, for some reason, the part you need is not in the SPL. If you think a standard part not Wed should be — let us know. We will respond.

Duane Stupienski - Service Engineering

SPL 27-7740A - 7740A, D MRVF Interlock Assembly

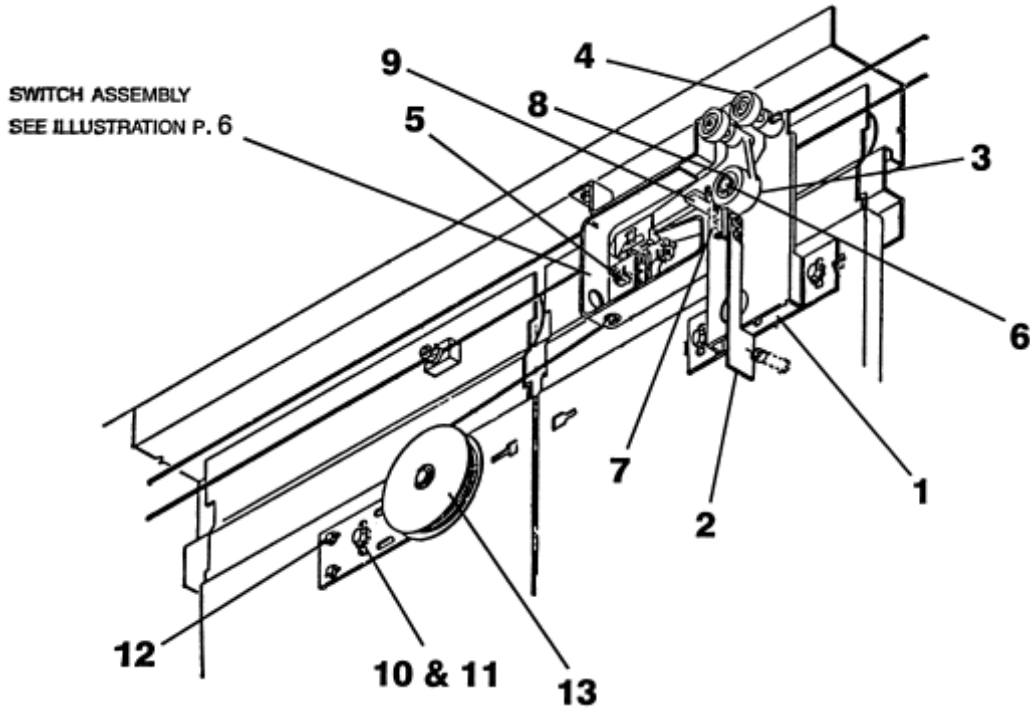
Page 3 - TYPE 7740A, D MRVF INTERLOCK ASSEMBLY



Ref. No.	ML or Part No.	Description
1	TYPE 7740A, D	Comprised of 7740B type switch, 7740C type latch & spring closer
	7740A1	Center Open Doors w/o Emergency Key Device
	7740A2	Center Open Doors w/ Emergency Key Device
	7740D1	36" Open, Single Slide Door, w/o Emergency Key Device Right hand
	7740D2	36" Open, Single Slide Door, w/o Emergency Key Device Left hand
	7740D3	36" Open, Single Slide Door, w/ Emergency Key Device Right hand
	7740D4	36" Open, Single Slide Door, w/ Emergency Key Device Left hand
	7740D5	42" Open, Single Slide Door, w/o Emergency Key Device Right hand
	7740D6	42" Open, Single Slide Door, w/o Emergency Key Device Left hand
	7740D7	42" Open, Single Slide Door, w/ Emergency Key Device Right hand
7740D8	42" Open, Single Slide Door, w/ Emergency Key Device Left hand	

SPL 27-7740A - 7740A, D MRVF Interlock Assembly

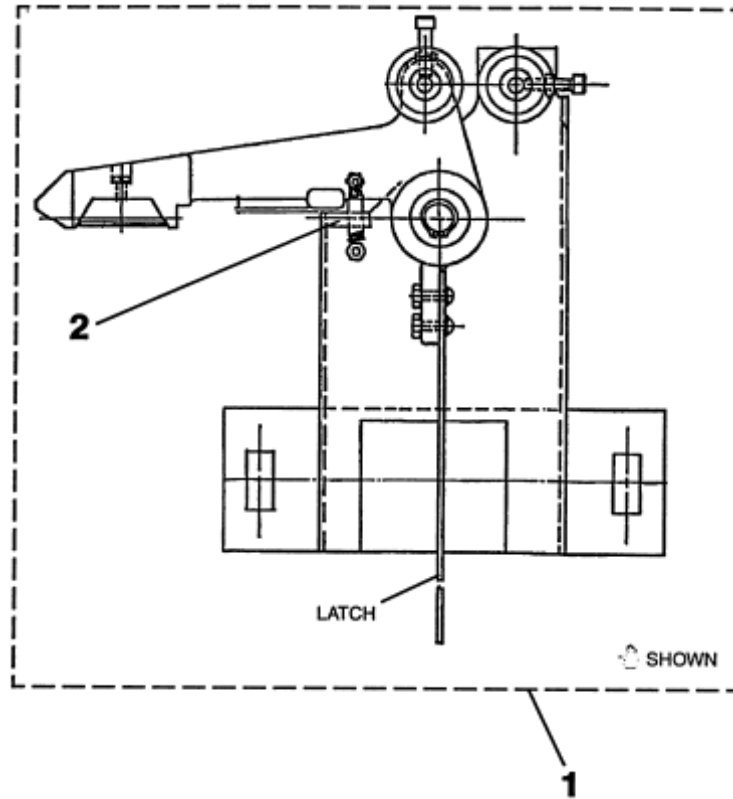
Page 4 - TYPE 7740A, D MRVF INTERLOCK



Ref. No.	Part No.	Description
1	316DRP1	Lock Bracket for CO Doors Right hand
	316DRP2	Lock Bracket for CO Doors Left hand
	316DRP3	Lock Bracket for 36" Single Slide Door Right hand
	316DRP4	Lock Bracket for 36" Single Slide Door Left hand
	316DRP5	Lock Bracket for 42" Single Slide Door Right hand
	316DRP6	Lock Bracket for 42" Single Slide Door Left hand
2	288SV1	Unlatching Cam, 8.62" Long
3	331BV1	Latch
4	456ES1	Roller Assembly
5	306FM1	Contact Base
6	209E1	Solid Roller Bearing, Split Outer Race, 1" LG
7	91AP3	Spring
8	172DE9	Snap Ring, Flat, 1" Expanded Diameter
9	320DR1	Bumper (not shown: See Also Ref. 2, p.5)
10	72DJ2	Grip Nut
11	130J11	1/2" Lockwasher, Int-Ext
12	109P1	Threaded Rolling Screw, 1" Long
13	A6940AN2	Spring Closer

SPL 27-7740A - 7740A, D MRVF Interlock Assembly

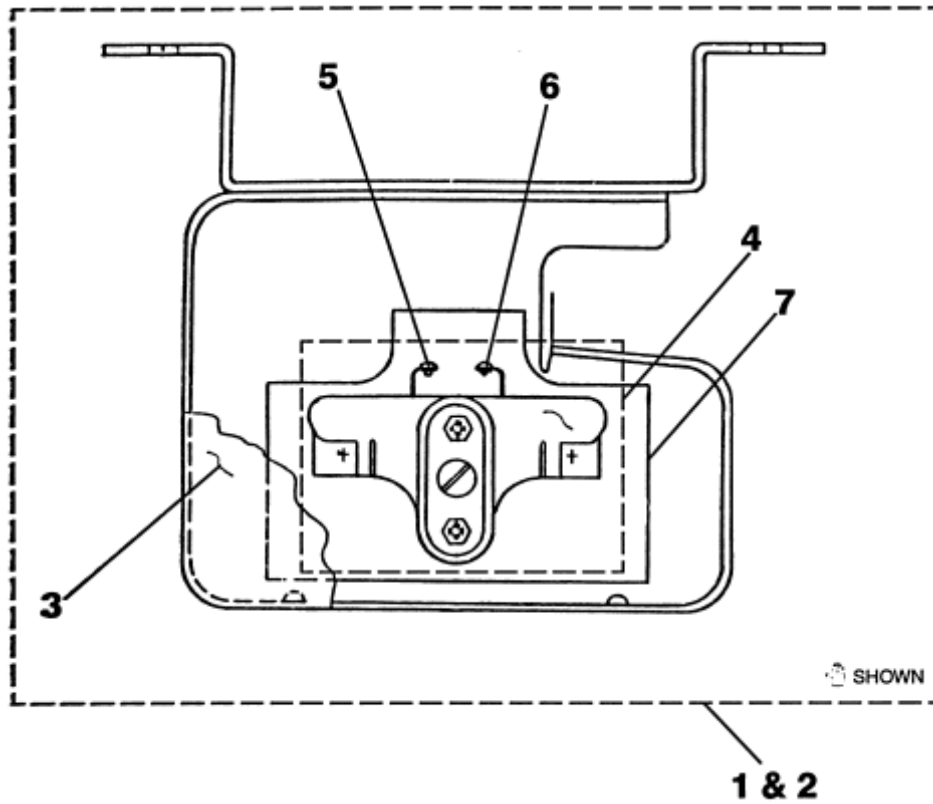
Page 5 - TYPE 7740C DOOR LATCH ASSEMBLY



Ref. No.	Part No.	Description
1	7740C1	Center Open Doors w/o Emergency Key Latch
	7740C3	Center Open Doors w/ Emergency Key Latch
	7740C5	36" Single Slide Door w/o Emergency Key Latch Right hand
	7740C6	36" Single Slide Door w/o Emergency Key Latch Left hand
	7740C7	36" Single Slide Door w/ Emergency Key Latch Right hand
	7740C8	36" Single Slide Door w/ Emergency Key Latch Left hand
	7740C9	42" Single Slide Door w/o Emergency Key Latch Right hand
	7740C10	42" Single Slide Door w/o Emergency Key Latch Left hand
	7740C11	42" Single Slide Door w/ Emergency Key Latch Right hand
	7740C12	42" Single Slide Door w/ Emergency Key Latch Left hand
	2	320DR1

SPL 27-7740A - 7740A, D MRVF Interlock Assembly

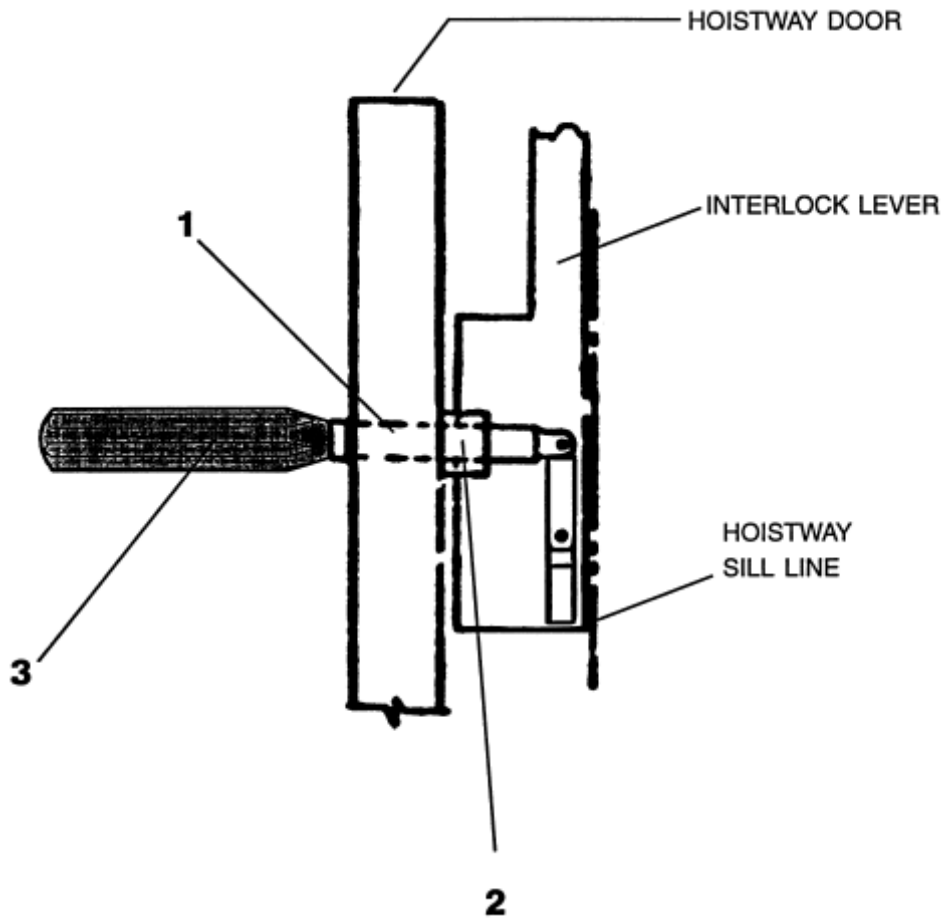
Page 6 - TYPE 7740B INTERLOCK SWITCH



Ref. No.	Part No.	Description
1	7740B1	Switch Assembly, Complete Right hand (shown)
2	7740B2	Switch Assembly, Complete Left hand
3	346AFL6	Switch Box Cover
4	6940AF1	Contact Assembly, Complete
5	152BE2	Contact, Right hand w/ Contact & Washer
6	152BE4	Contact, Left hand w/ Contact & Washer
7	429BE1	Lining

SPL 27-7740A - 7740A, D MRVF Interlock Assembly

Page 7 - EMERGENCY KEY DEVICE



Ref. No.	Part No.	Description
1	321CV3	Bushing, 2" long
2	340BJ2	Collar
3	AAA194AZ1	Emergency Key