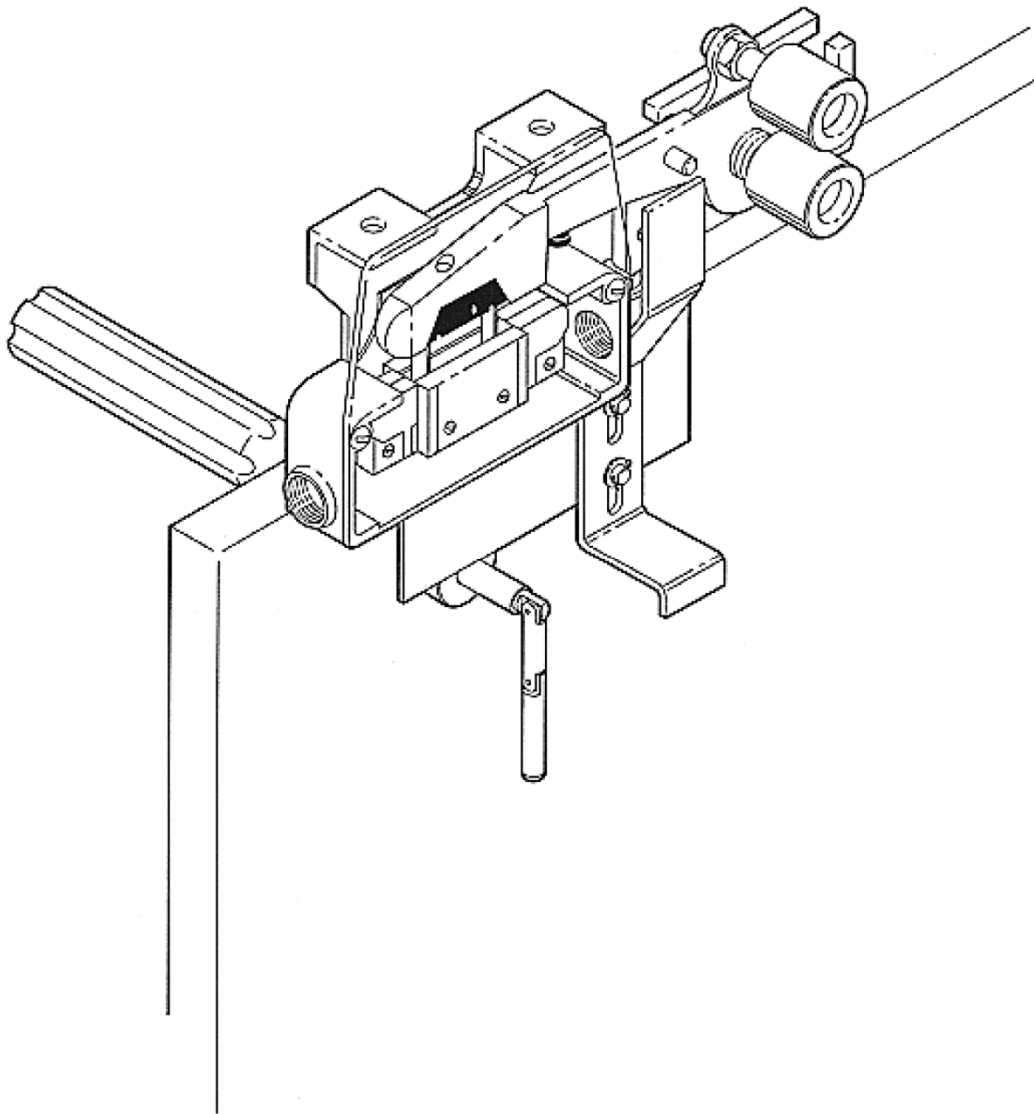


7661 Interlock

Spare Parts Leaflet

27-7661A

November 27, 2019 / Page 1 of 7



OTIS

This document does not contain any
technical data subject to EAR or ITAR

SERVICE ENGINEERING
Otis Elevator Company
Bloomfield, Connecticut USA

Unpublished Work—© Otis Elevator Co.; 2019

Leaflet Description

This leaflet provides spare parts information for type 7661 interlock.

Leaflet Revisions

Date Revised	Subject Matter Expert	Reason for Revision
July 1, 1997	Duane Stupienski	New leaflet
August 30, 2017	Brian Regan	Added page 7 for 7661G
April 4, 2018	Brian Regan	Updated the Related Documents table on the History page
November 27, 2019	Peter Kelley	Revised history page

Related Drawings

Drawing No.	Drawing No.	Drawing No.	Drawing No.
7661B	7661C	7661H	7661G
7661F	---	---	---

Related Documents

Document ID	Title
SPL 24-7661F	Clamping Vane Assembly, Type 7661F (for 7661 Close Coupled Door Locks)

Subject Matter Expert

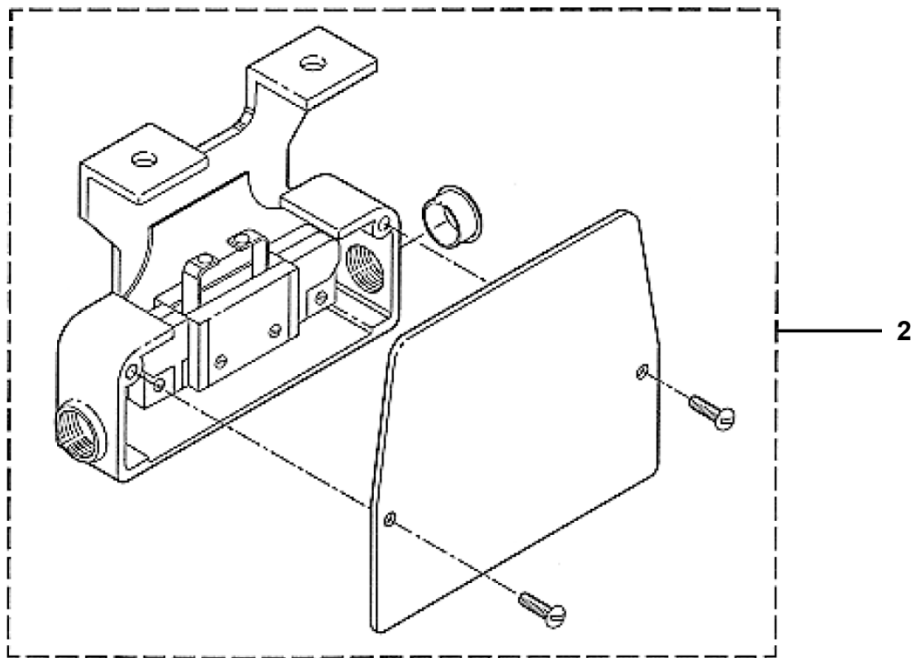
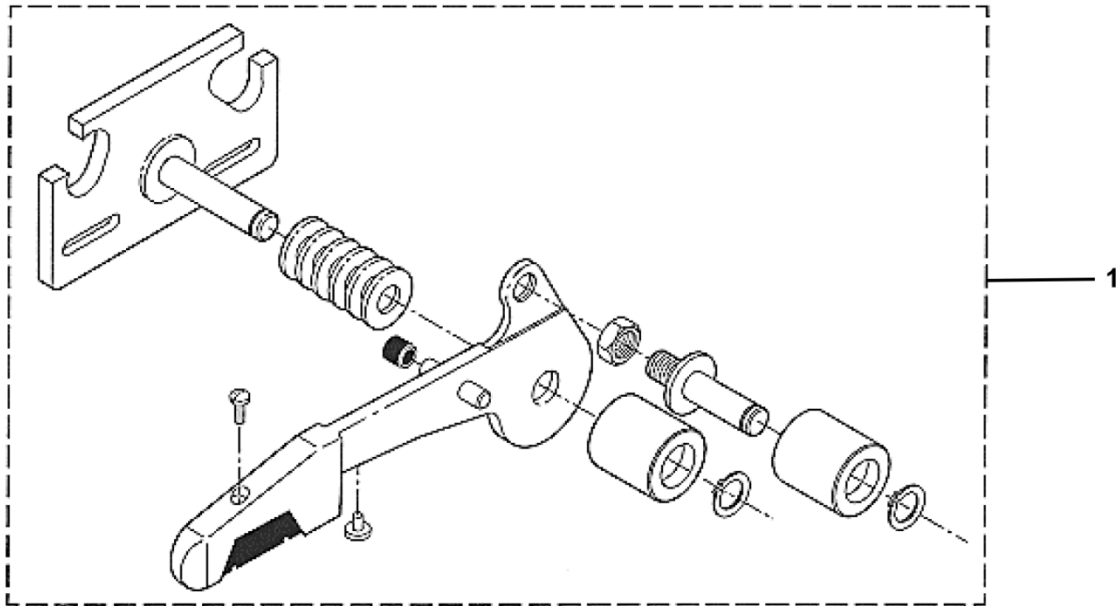
Name	Department
Peter Kelley	OSC Service Engineering



About Spare Parts Leaflets...

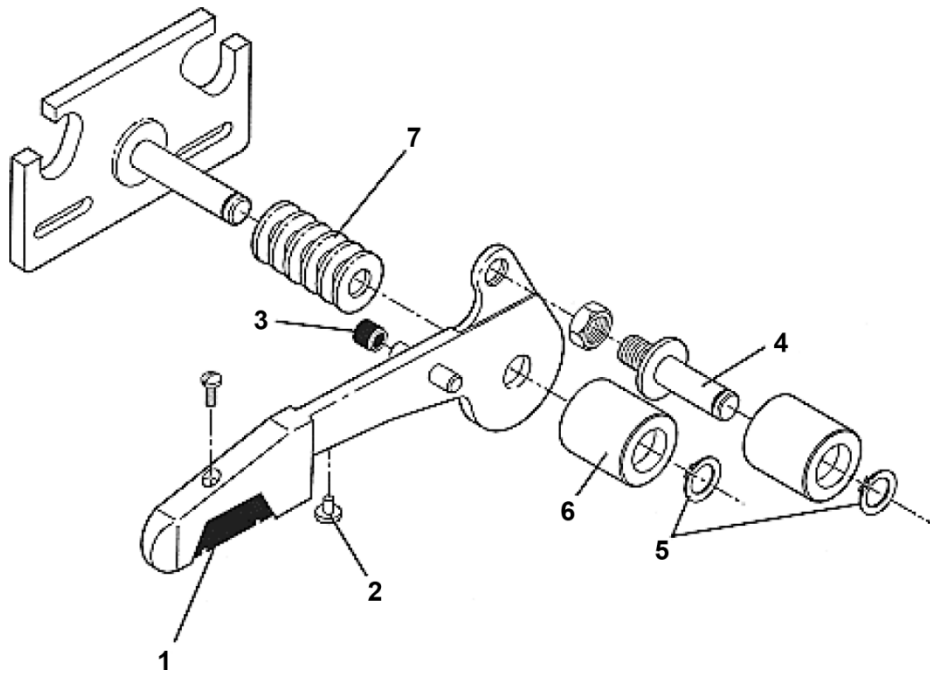
This document lists the lowest replaceable units (LRUs) for the standard version of the product. The LRUs are chosen by a team of Otis associates representing engineering and manufacturing.

While goal of this document is to make parts identification as easy as possible, the document cannot be all-inclusive. Elevator and escalator contracts classified as "special" or "custom" are not addressed here. For such contracts, please refer to specified information, the contract folder, TIPS, Field Education Articles, Construction Letters, etc. for further information.

If you have any suggestions about this document, please contact the subject matter expert listed on this page.

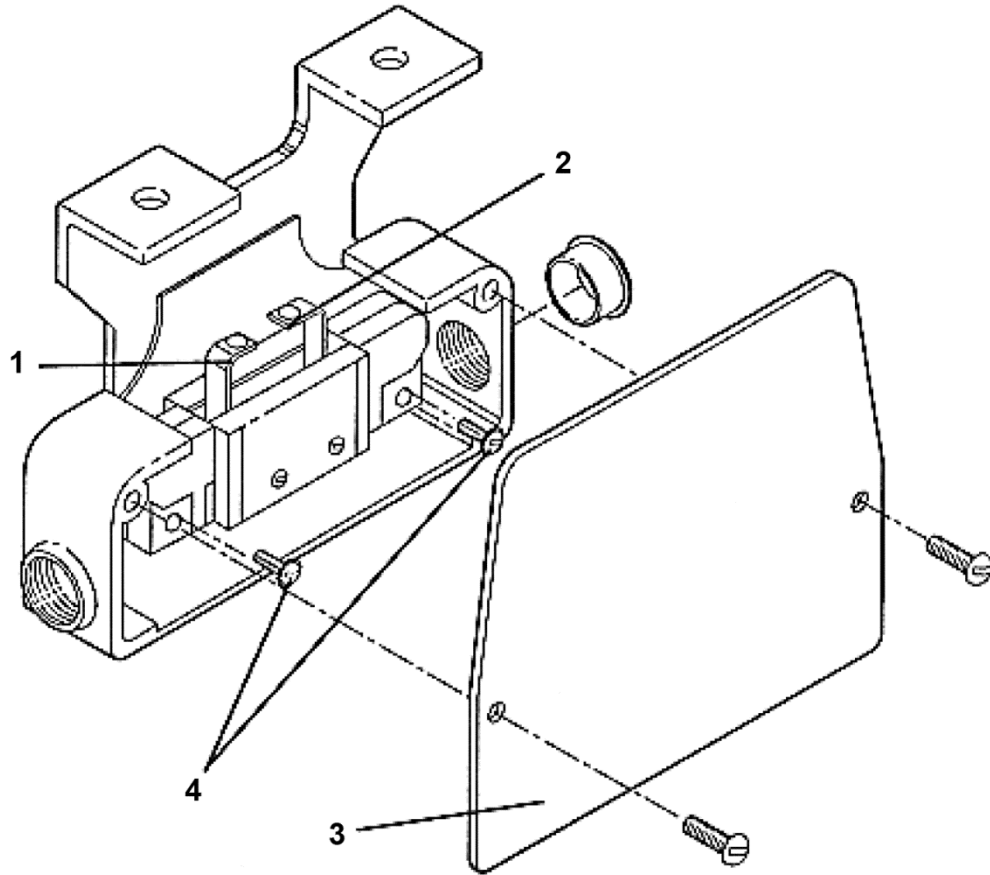




ALL VINTAGES		
REF. No.	PART No.	DESCRIPTION
1	7661B1	Assembly, Latch,  (shown)
	7661B2	Assembly, Latch, 
2	7661C1	Assembly, Interlock Switch



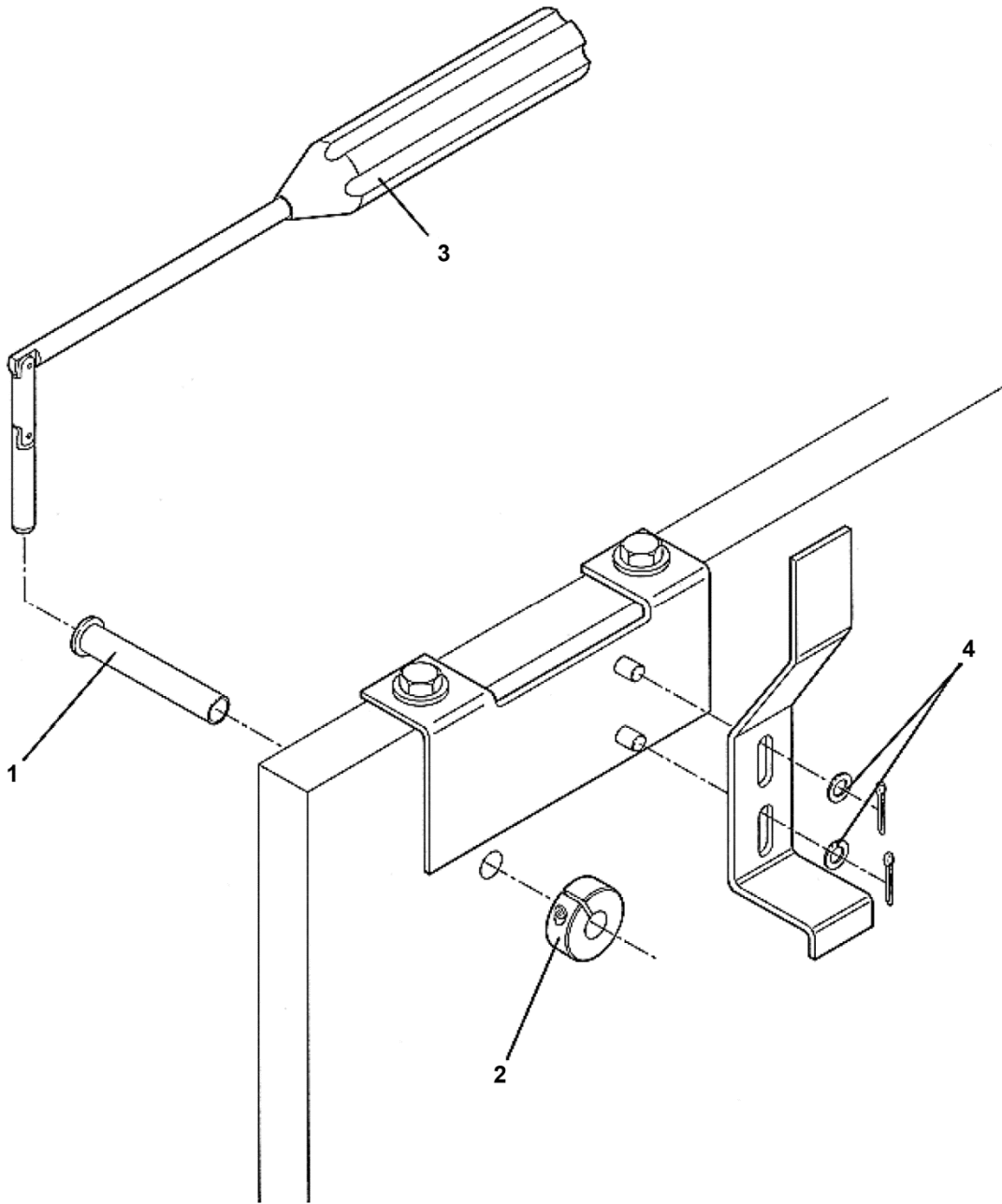
7661B1 & 7661B2

REF. No.	PART No.	DESCRIPTION
1	306FM1	Bar, Contact
2	320CL1	Bumper
3	334AN1	Bushing
4	77XP1	Pin
5	172HV3	Ring
6	456DB1	Roller
7	128D6	Washer



REF. No.	PART No.	DESCRIPTION
	7661C1	
1	152BE9	Contact Finger 
2	152BE10	Contact Finger 
3	346AKF1	Cover
4	124DB2	Screw

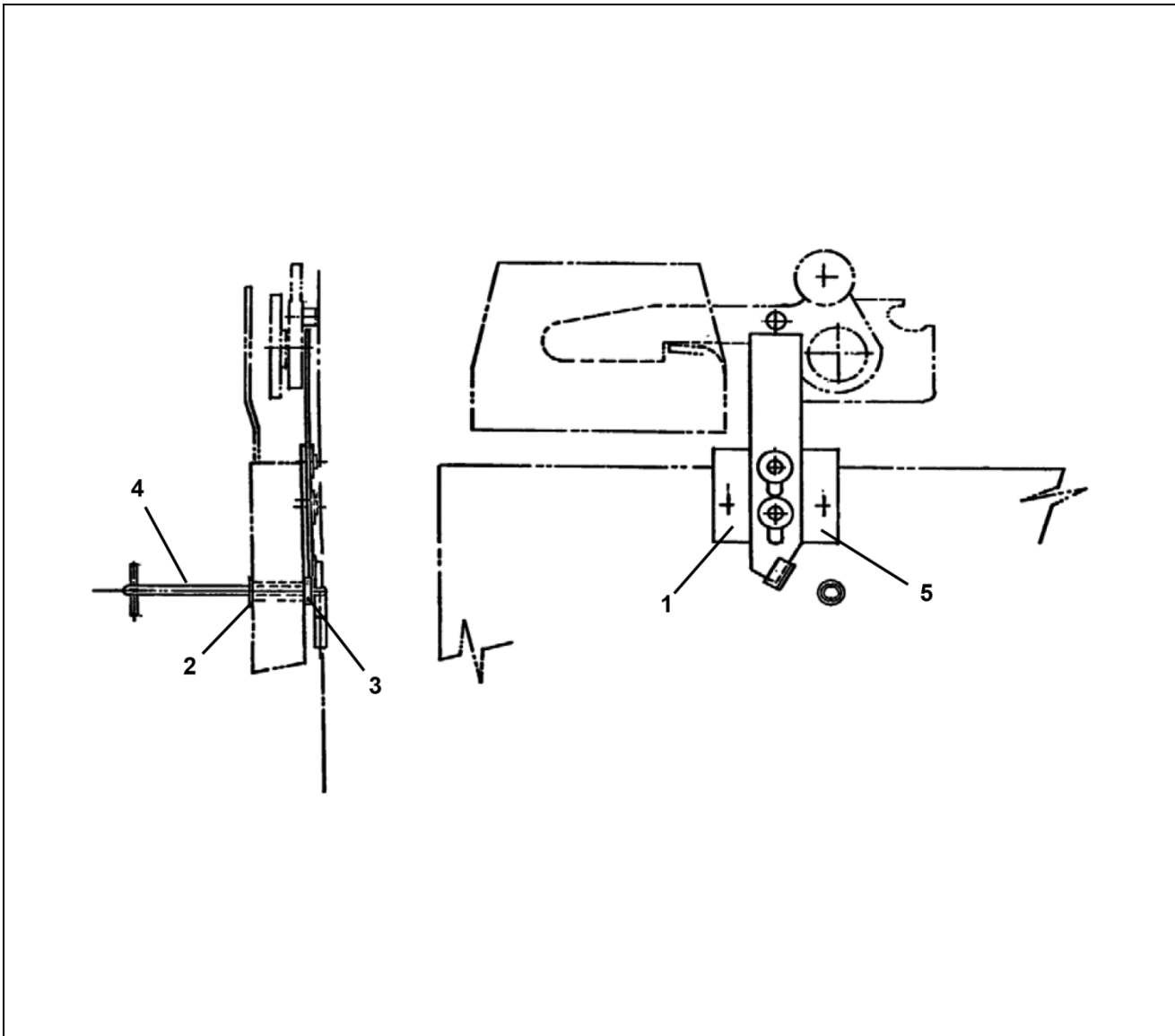
Emergency Key





ALL VINTAGES

REF. No.	PART No.	DESCRIPTION
1	321CV1	Bushing
2	340BJ2	Collar, Clamp
3	AAA194AZ1	Key, Drop
4	128A9	Washers

Typical Close Coupled (7661G) Doors



ALL VINTAGES		
REF. No.	PART No.	DESCRIPTION
1	288RF1	Arm,  (shown)
	288RF2	Arm, 
2	321CV2	Bushing
3	340BJ3	Clamp, Collar
4	194AD6	Key
5	386BFT1	Plate