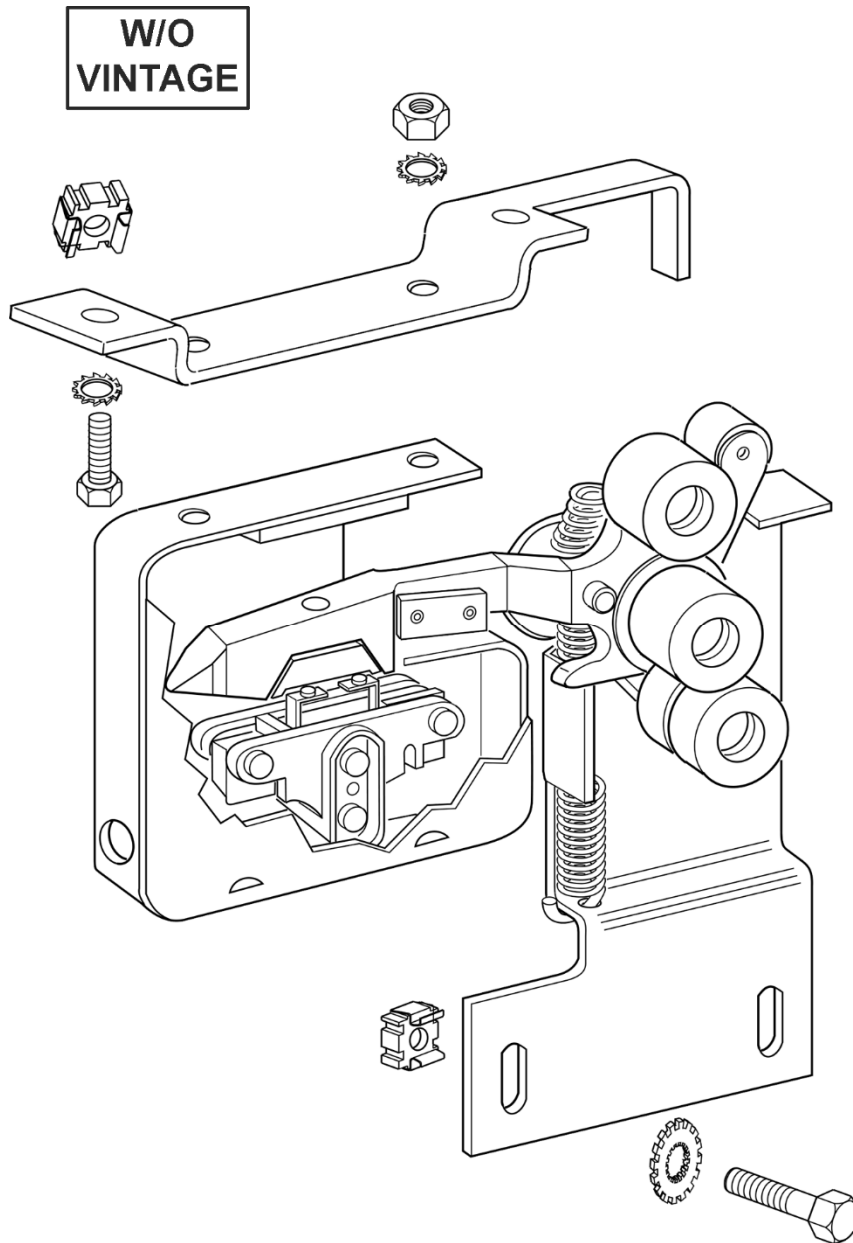


Types 7080A and
7080D Interlock
Assemblies

Spare Parts Leaflet

27-7080A

November 27, 2019 / Page 1 of 8



OTIS

This document does not contain any
technical data subject to EAR or ITAR

SERVICE ENGINEERING

Otis Elevator Company

Bloomfield, Connecticut USA

Unpublished Work—© Otis Elevator Co.; 2019

Leaflet Description

SPL 27-6940AP, latest revision dated June 1997, superseded C-1009F (in part). Both leaflets combined several families of interlocks, door closers, and switches. The individual families have been broken out into separate leaflets.

This leaflet deals specifically with type 7080A interlock assembly, which was typically used in closed coupled door applications. There was only one hand (RH) of this type interlock.

Leaflet Revisions

Date Revised	Subject Matter Expert	Reason for Revision
January 1, 1984	---	C-1009F (not published)
June 1, 1994	---	Created 27-C6940AP, which superseded C-1009F (in part)
January 1, 1997	Duane Stupienski	Broke out individual interlocks and closers; Added new part numbers and called out new LRUs for bearings
April 11, 2018	Brian Regan	Updated document template; Updated the Related Documents table on the history page
November 27, 2019	Peter Kelley	Revised history page

Related Drawings

Drawing No.	Drawing No.	Drawing No.	Drawing No.
7080C	7080D	A7080D	7080F

Related Documents

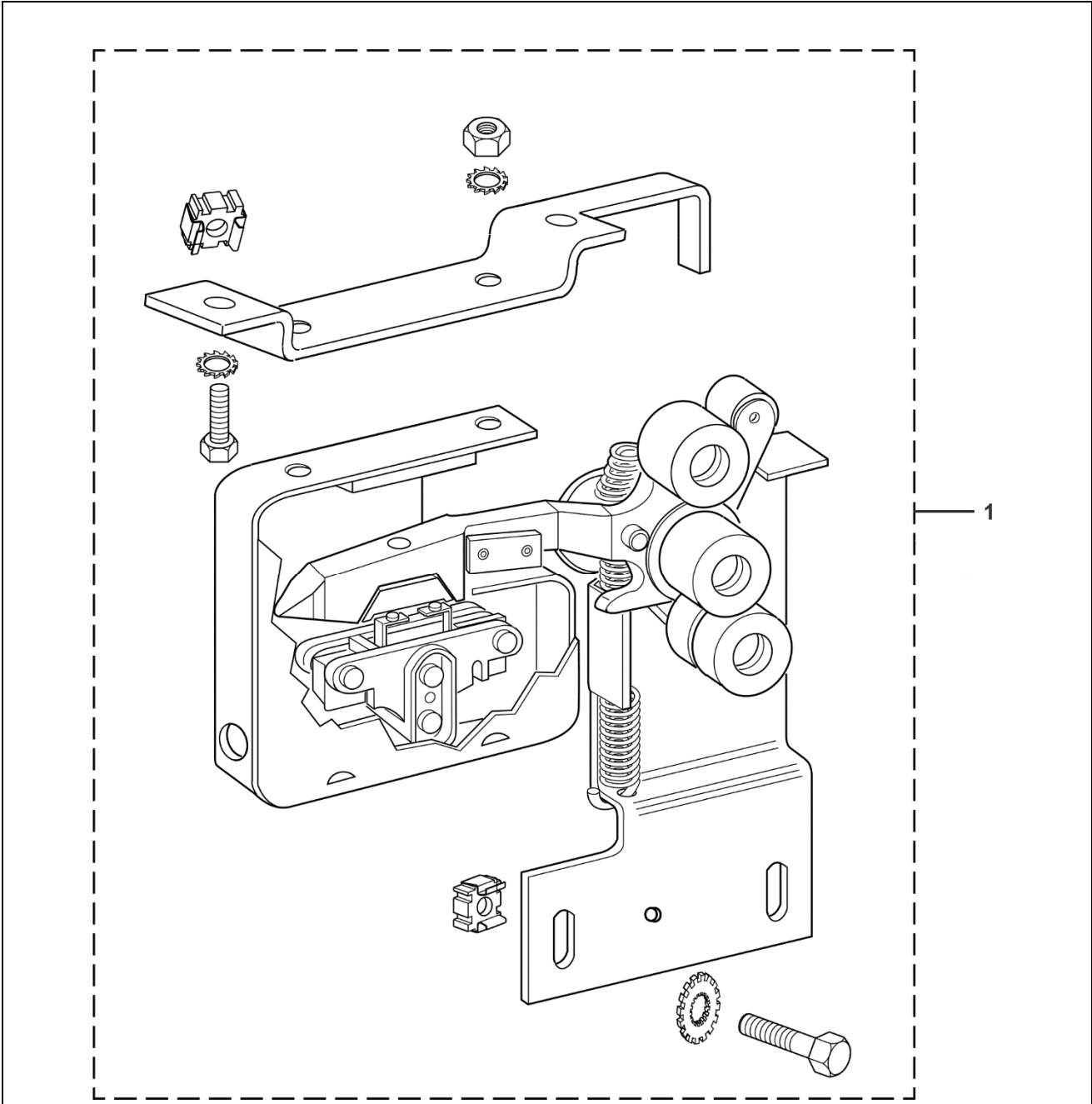
Document ID	Title
SPL 24-6970AK	Movable Cam Assembly, Close Coupled Doors
C-1009F	Various Interlocks and Closers
SPL 27-6940AP	Interlocks
TIP 0.1.5-1	Safety Policy—Drop Keys & Alternative Ring

Subject Matter Expert

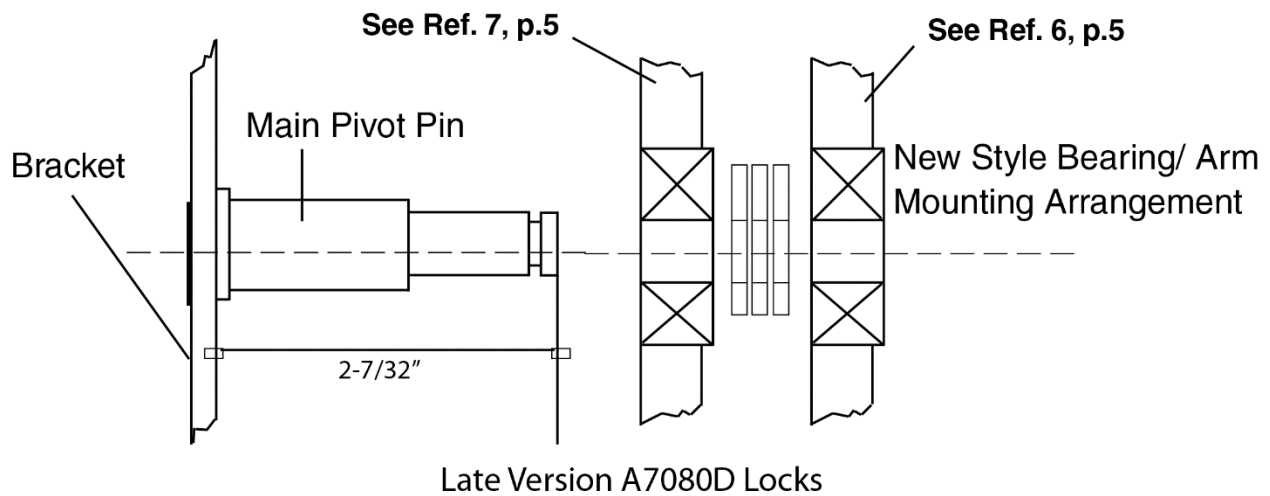
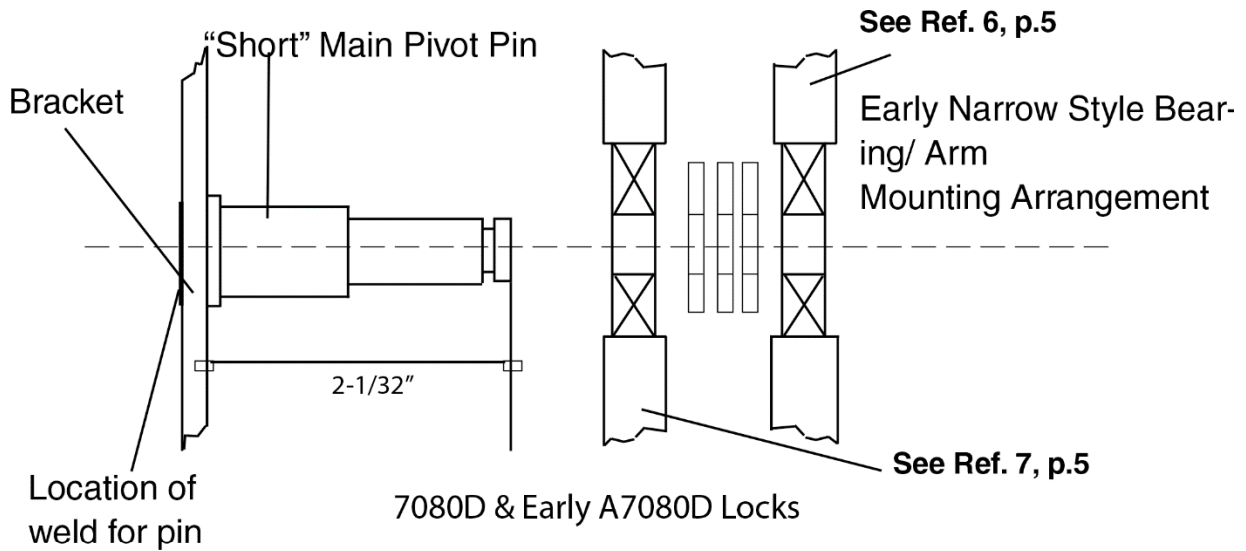
Name	Department
Peter Kelley	OSC Service Engineering

About Spare Parts Leaflets...

This document lists the lowest replaceable units (LRUs) for the standard version of the product. The LRUs are chosen by a team of Otis associates representing engineering and manufacturing. While goal of this document is to make parts identification as easy as possible, the document cannot be all-inclusive. Elevator and escalator contracts classified as “special” or “custom” are not addressed here. For such contracts, please refer to specified information, the contract folder, TIPs, Field Education Articles, Construction Letters, etc. for further information. If you have any suggestions about this document, please contact the subject matter expert listed on this page.



REF. No.	W/O VINTAGE PART No.	DESCRIPTION
1	2119K3	Assembly, Type 7080A Interlock (Lock, Switch, and Mounting Hardware)
	2119K4	Assembly, Type 7080A Interlock (Lock, Switch, and Mounting Hardware); Set up for emergency key device.



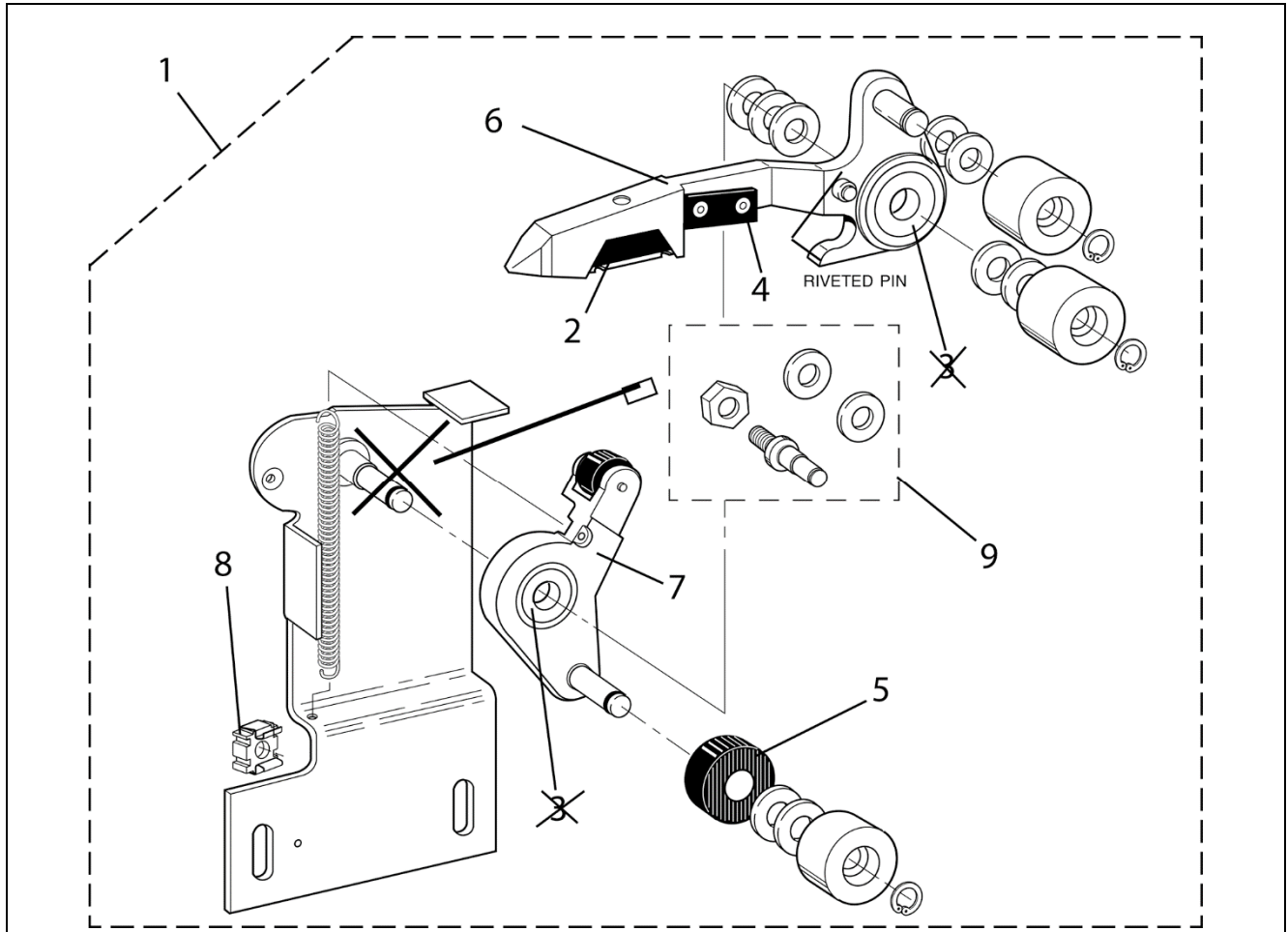
NOTE: When only one old bearing or old arm is worn in an interlock having an early version “short” pivot pin, only one new arm / bearing assembly will fit while retaining one of the existing narrow bearing / arm assemblies on the “short” main pivot pin. Bearings are no longer available for individual replacement.

If both old style arms or both bearings need replacement, either:

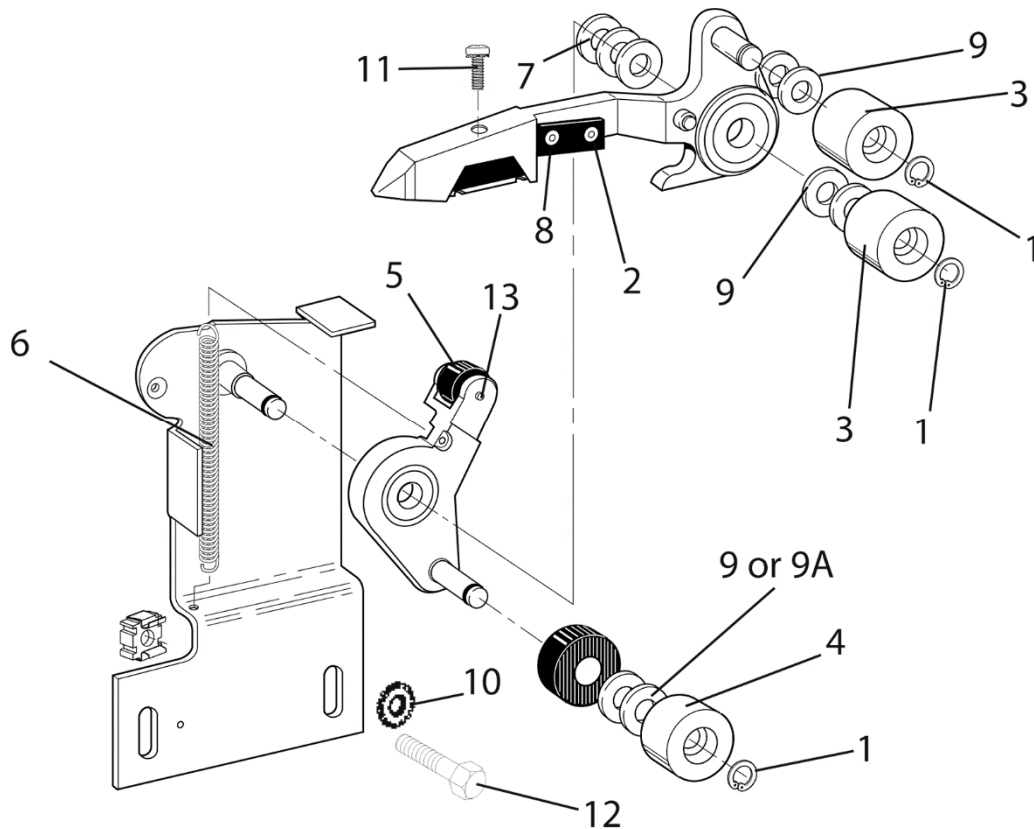
1. Order an entire new interlock (Ref. 1, p. 5) or
2. Drill out the weld securing the early version “short” pivot pin and replace with the “bolt-on” alternative pin (CAA77A4, Ref. 9, p. 5) and order new arm assemblies (Refs. 6 and 7, p. 5).

Type 7080D Lock Assembly

27-7080A



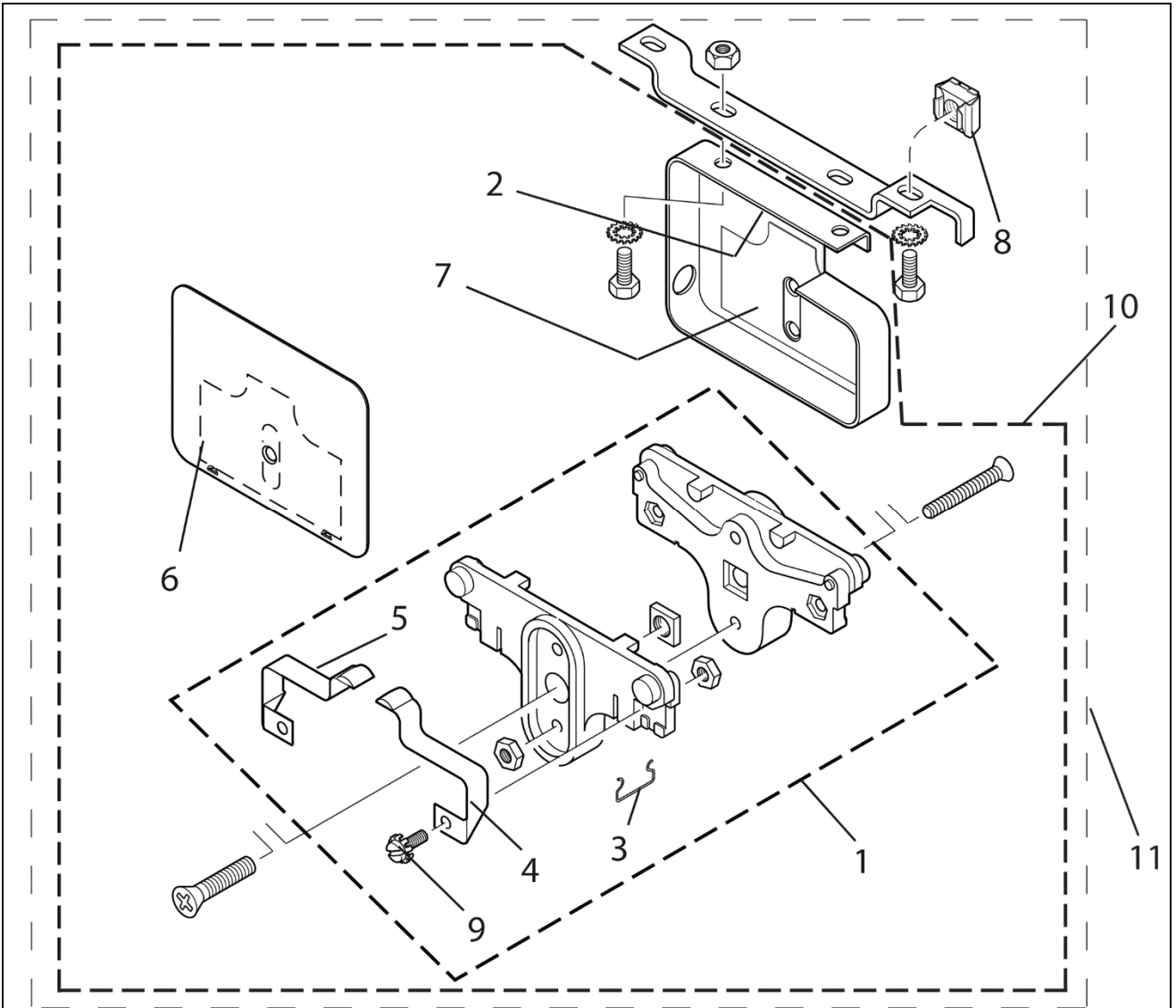
W/O VINTAGE		
REF. No.	PART No.	DESCRIPTION
1	A7080D1	Assembly, Door Lock + Mounting Parts
	A7080D2	Assembly, Door Lock + Mounting Parts (set up for unlocking devices)
2	306FM1	Base, Contact
3	207BJ4	Bearing; Order Appropriate arm assembly Ref. 6 or 7 (see p. 4)
4	320BY1	Bumper
5	320BE5	Bumper, Rubber, 1-1/2 in.
6	331BE4	Latch with Bearing (set up w/ riveted pin for unlocking device)
	331BE2	Latch with Bearing (w/o riveted pin)
7	307AT2	Lever with Bearing (w/o roller & roll pin)
8	72DJ2	Nut, Grip, 1/2-13
9	CAA77A2	Pin + Hardware (service replacement) only order of both old style barrow bearings are present in both pivot arms. Otherwise, order CAA77A4. See p. 4 for illustrations. Shoulder-to-groove length = 1.75
	CAA77A4	Pin, Hardware & Washers (service replacement). Order if either of the bearings are (or will be) of the wider new style. See p. 4 for illustrations. Shoulder-to-groove length = 1.92.





REF. No.	W/O VINTAGE PART No.	DESCRIPTION
1	172HV3	Ring, Retaining, Internal Truarc, 0.75
2	144B19	Rivet, Round Head, 5/8 in. L
3	456DB4	Roller, 1-1/8 in. L, for A7080D Assemblies
	456DB1	Roller, 1-1/4 in. L, for 7080D Assemblies or Order 456DB4 and (2) of 128D6
4	456DB5	Roller, 31/32 in. L, for A7080D Assemblies
	456DB3	Roller, 1 in. L, for 7080D Assemblies or Order 456DB5 and (2) of 128D6
5	456BT2	Roller, 0.390 in. \varnothing
6	91B20	Spring, 5-1/8 in. L
7	128AF44	Washer, Special, Brass, 0.656 \varnothing , 1.0 \varnothing
8	128AF57	Washer, Special, Brass, 0.128 \varnothing , 9/32 \varnothing
9	128D6	Washer, Special, Brass, 37/64 \varnothing , 13/16 \varnothing
9A	127VB32	Washer, Special, Steel, 9/16 \varnothing , 1.0 \varnothing
10	130J11	Washer, Internal/External, 0.524 \varnothing , 1.250 \varnothing
11	SCMAP 8-32X1/2	Screw, Pan Head Machine (SCMAP 8-32x1/2)
	VP-855860	Screw, Sems, 8-32
12	BTFH 1/2X1	Bolt, Fin (BTFH 1/2X1)
13	81AX47	Pin, 1/4 x 11/16 in. L

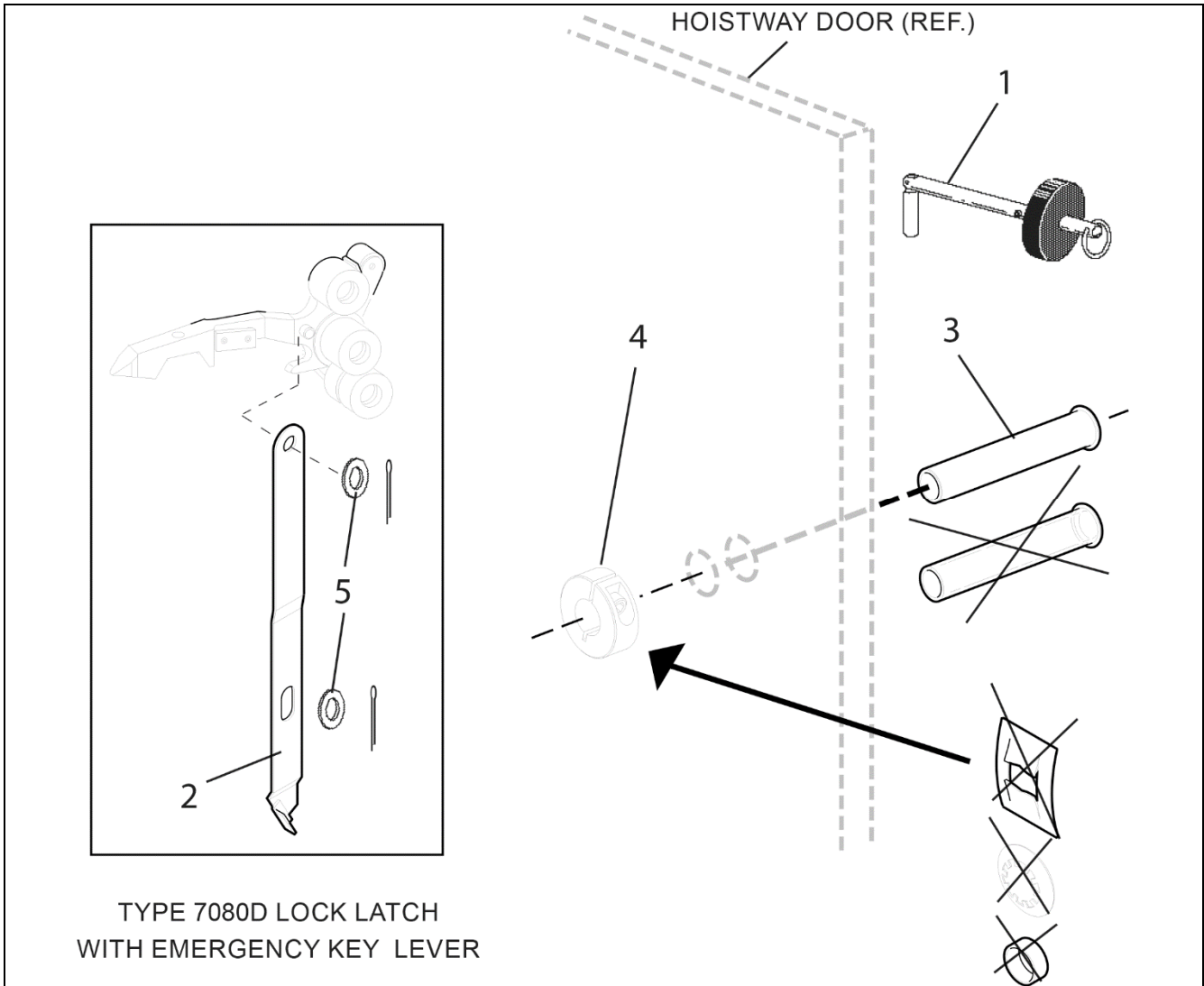
Type 7080E Switch Assembly

27-7080A



REF. No.	W/O VINTAGE PART No.	DESCRIPTION
1	6940AF1	Assembly, Contact
2	320CE1	Bumper (not shown)
3	339FH1	Clip (2 required per assembly)
4	152BE2	Contact, 
5	152BE4	Contact, 
6	346AFL4	Cover w/Lining
7	429BE1	Lining
8	72DJ3	Nut, Grip, 3/8-16 in.
9	124DB2	Screw, Captive
10	7080E1	Switch & Box Assembly
11	2119K2	Switch, Box, & Bracket w/ Hardware Assembly

Type 7080C Unlocking Assembly



TYPE 7080D LOCK LATCH WITH EMERGENCY KEY LEVER

REF. No.	W/O VINTAGE PART No.	DESCRIPTION
1	194AD6	Key, Emergency, 4.32 in. L, Complete with End Rod, Pins, Bumper & (1) Middle Key (for Type 7080D Lock)
2	288MN1	Lever (for Type 7080D lock)
3	321EF2	Bushing, Plastic, 1.54 in. L (for Type 7080D Lock Bushing, Stainless Steel, 1.54 in. L (for Type 7080D Lock)
	321CV2	
4	72CE9	Speed Nut, 1/2 in.
	472DN12	Retaining Ring
	321BX3	Bushing, Plastic, 0.375 in. L
	340BJ3	Collar, Clamp, 1.12 in. \varnothing , 0.5 in. \odot
5	128A9	Washer