

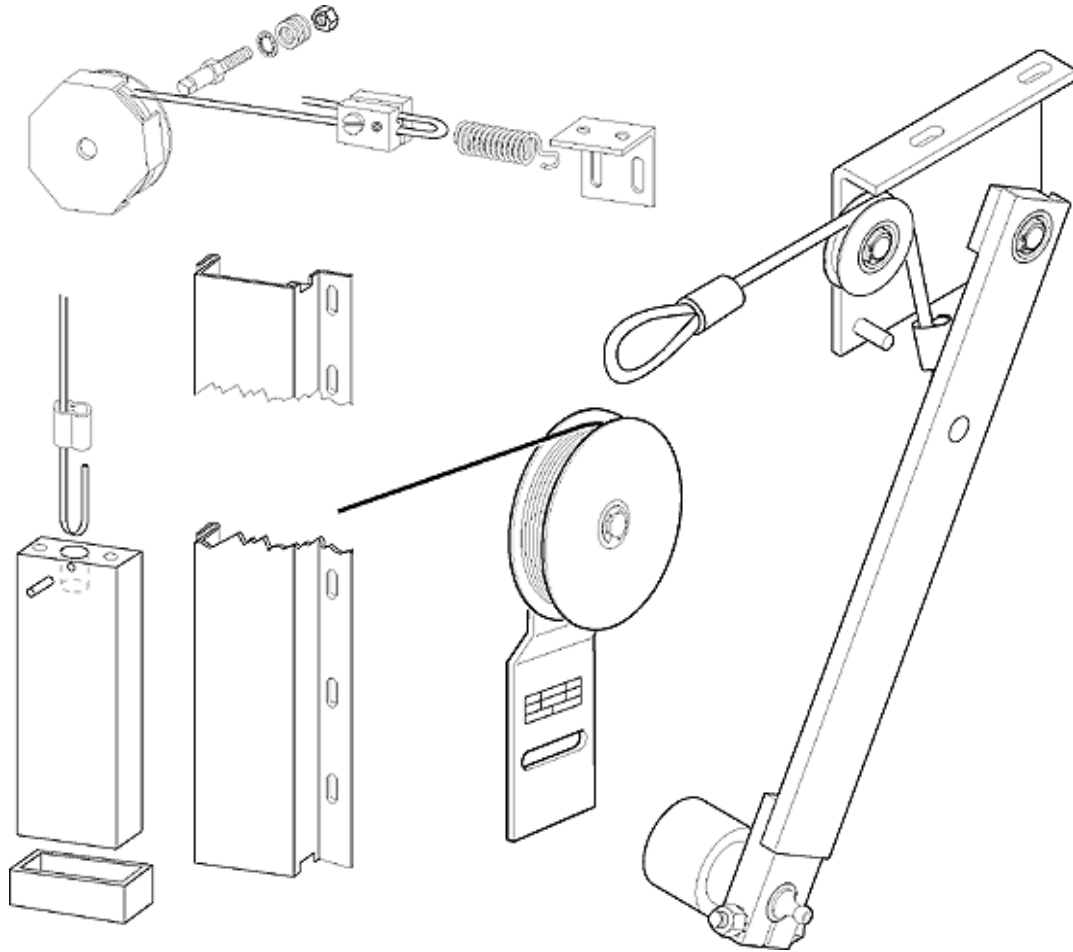
SPL 26-6940D - Spring and Travelling Weight Closer

Unpublished Work - © Otis Elevator Company. Any unauthorized reproduction, disclosure, or distribution of copies or content by any person of any portion of this work may be a violation of Copyright Law of the United States of America. All rights reserved.

June 1998

Separated from SPL 27-C6940AP Dated June 1994

Page 1



SPL 26-6940D - Spring and Travelling Weight Closer

Page 2 – History

History
26-6940D/AD/AN
First Published: June 1998

Spring and Travelling Weight Closer
--

REVISED DATE	RESPONSIBLE ENGINEER	PRIMARY REASON FOR REVISION
June 1998	Duane Stupienski	Separated from 27-C6940AP; new parts added

Leaflet Description

This Spare Parts Leaflet describes and provides part numbers for the replaceable parts of the 6940D-type spring closer.

RELATED LEAFLET NUMBERS	TITLES
SPL 27-C6940AP	Interlock Assemblies and Door Closers
SPL 27-7740A, D	Type 7740A, D Interlock Assemblies

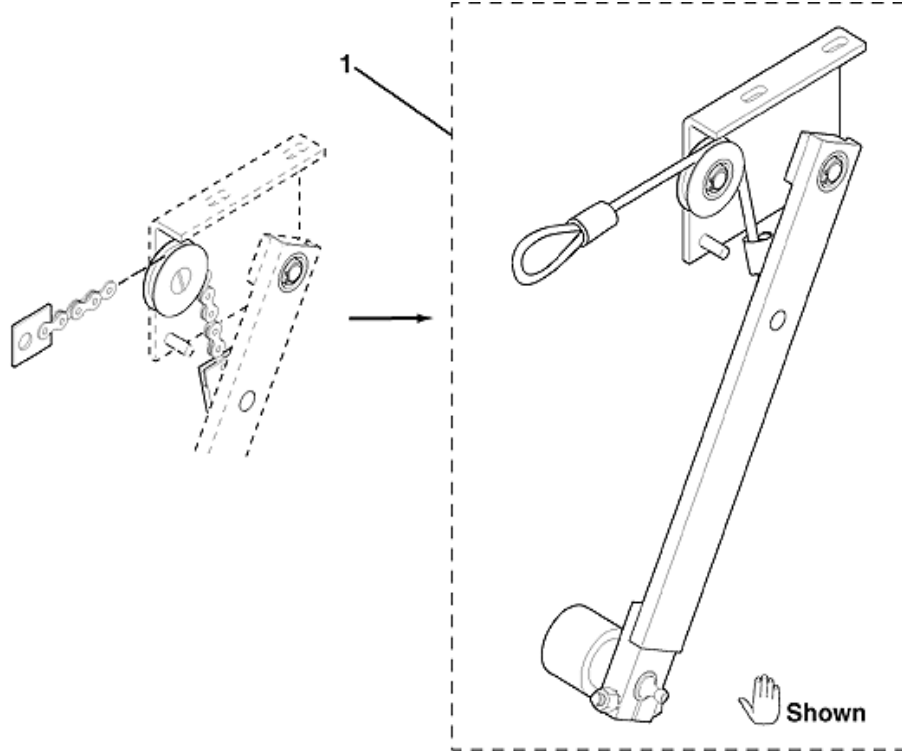
DRAWING REFERENCES
B6940D
C6940AP

RELATED DOCUMENT NUMBERS	TITLES
TIP 23.5-4	Aircraft Cable & Pivot Bracket Replacement For 6940D Closer
TIP 22.11-1	QL Operator, Setup and Adjustment
TIP 23.5-1	Adjustment of Hoistway Door Closer
MSL 23.5-1	A6940AR1 Spirator
MSL 23.5-2	A6940AR1 Spirator

This Spare Parts Leaflet (SPL) is prepared to assist you in determining the Lowest Replaceable Units (LRU) supported by the Otis Service Center for the standard version of the product titled on the preceding page. The parts are chosen by Otis associates from: Engineering, Field Engineering, Service Engineering, and Manufacturing. We attempt to make part identification as easy as possible. The SPL, however, cannot be all inclusive. Elevator and escalator contracts classified as either "special" or "custom" are not addressed. Alternative sources of information such as: the Contract Folder, Technical Information Publications, Field Education Articles, Construction Letters, etc. may give the information you are after. You live in the real world of maintaining your elevator and escalator contracts. On a daily basis, situations arise regarding parts identification and at times, for some reason, the part you need is not in the SPL. If you think a standard part not listed should be let us know. We will respond.

SPL 26-6940D - Spring and Travelling Weight Closer

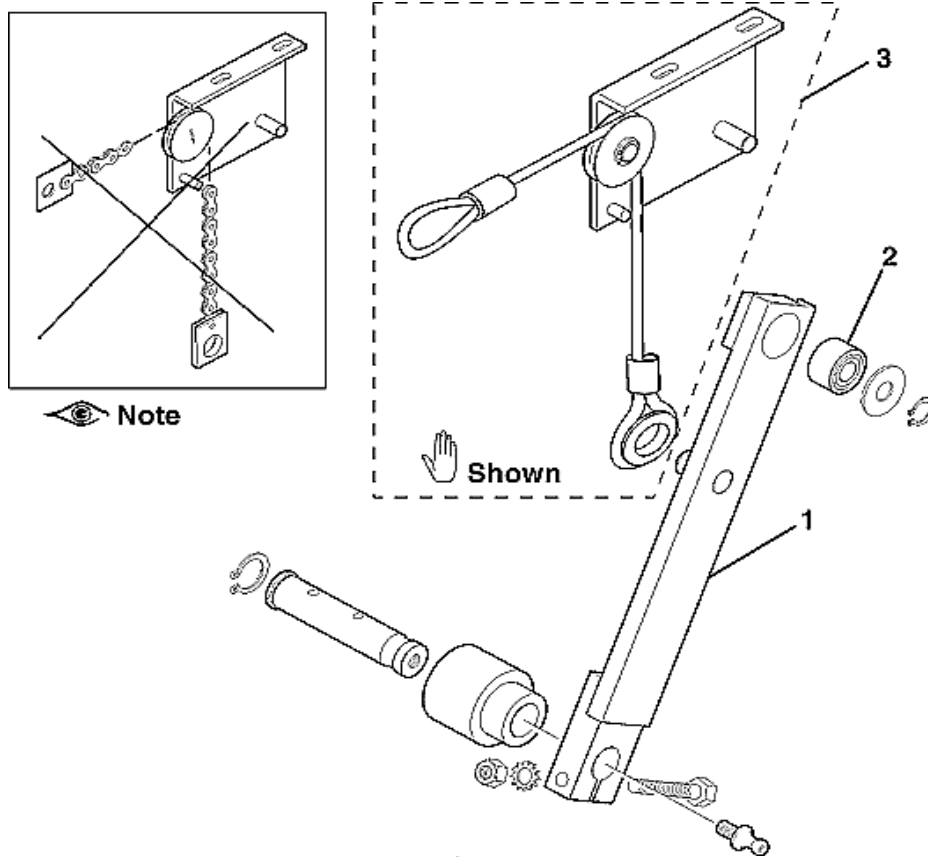
Page 3 - Spring and Travelling Weight Closer



REF. NO.	W/O VINTAGE PART or ML	DESCRIPTION
1	B6940D17	Assembly, Spring Closer, , S/S Door, 24-32 in. Opening
	B6940D18	Assembly, Spring Closer, , S/S Door, 24-32 in. Opening; , C/O Doors, 26-60 in. Opening
	B6940D19	Assembly, Spring Closer, , 2-Spd. Doors, 26-61 in. Opening
	B6940D20	Assembly, Spring Closer, , 2-Spd. Doors, 26-61 in. Opening
	B6940D23	Assembly, Spring Closer, , S/S Door, 32-46 in. Opening
	B6940D24	Assembly, Spring Closer, , S/S Door, 32-46 in. Opening

SPL 26-6940D - Spring and Travelling Weight Closer

Page 4 - Spring and Travelling Weight Closer

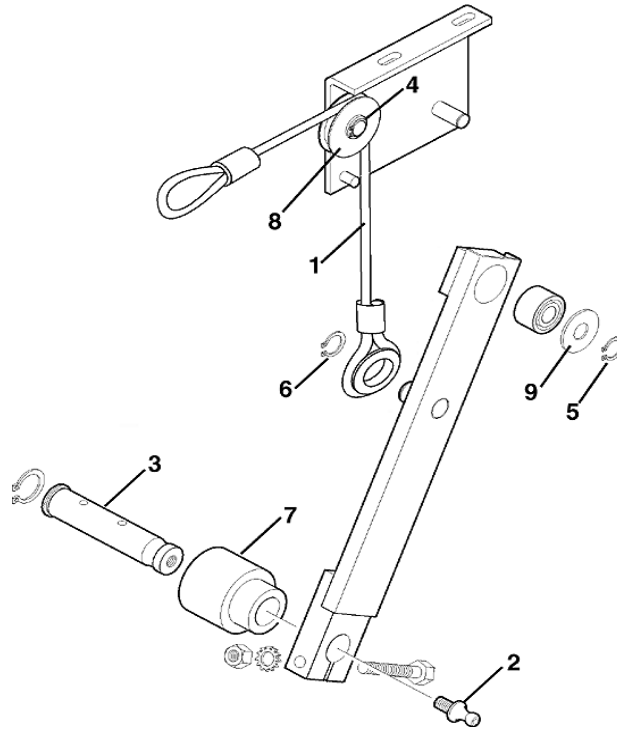


NOTE: TIP 23.5-4

REF. NO.	W/O VINTAGE PART or ML	DESCRIPTION
1	288KE1	Arm, Closer, 21-13/16 in. L, w/Pin
	288KE2	Arm, Closer, 28-13/16 in. L, w/Pin
2	209E1	Bearing, Roller
3	A316BKS18	Bracket, Pivot, 6 in. L, w/Wheel and Cable, , TIP 23.5-4
	A316BKS17	Bracket, Pivot, 6 in. L, w/Wheel and Cable, , TIP 23.5-4
	A316BKS19	Bracket, Pivot, 8 in. L, w/Wheel and Cable, , TIP 23.5-4
	A316BKS20	Bracket, Pivot, 8 in. L, w/Wheel and Cable, , TIP 23.5-4

SPL 26-6940D - Spring and Travelling Weight Closer

Page 5 - Spring and Travelling Weight Closer



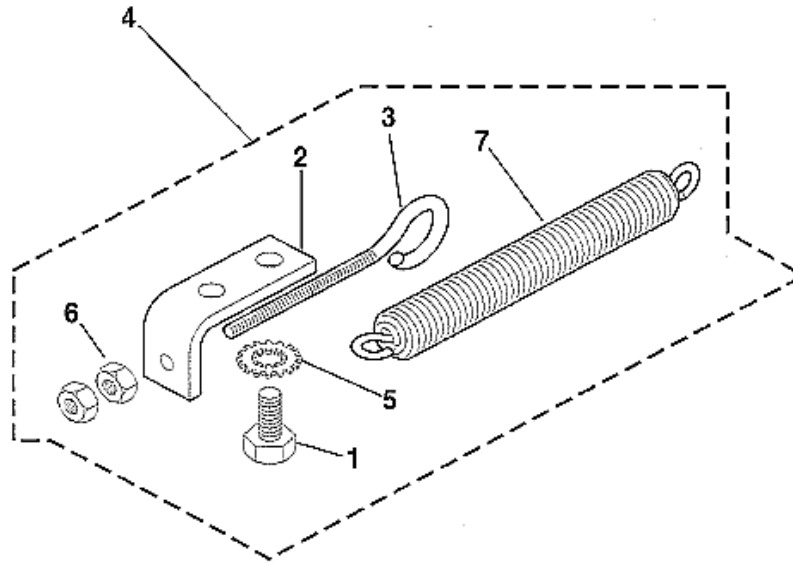
REF. NO.	W/O VINTAGE PART or ML	DESCRIPTION
1	AAA712L1	Cable, Air, 12.78 in. L
	AAA712L2	Cable, Air, 15.78 in. L
	A332AS2*	Chain, 11-1/4 in. L
	A332AS3*	Chain, 14-1/4 in. L
2	435AJ2	Fitting, Lubricator, 3/16 in. (for Pins 78AK3, 78AK4)
3	78AK3	Pin, 3/4 in. Dia., 2-9/32 in. L, 3/16 in. Hole
	78AK4	Pin, 3/4 in. Dia., 3-27/32 in. L, 3/16 in. Hole
4	172DR4	Ring, Retaining
5	172DE11	Ring, Retaining, External (Truarc), 0.80 in.
6	172DE9	Ring, Retaining, External (Truarc), 0.97 in.
7	456C4	Roller, Rubber (qty. = 1 for S/S & C/O Doors; qty. = 2 for 2-Spd. Door)
8	265BD2	Sheave
9	127VB83	Washer, Special Steel, 41/65 in. , 1-1/2 in. , 3/64 in. Thick

*NOTE: Order retrofit replacement.

reference 3, page 4.

SPL 26-6940D - Spring and Travelling Weight Closer

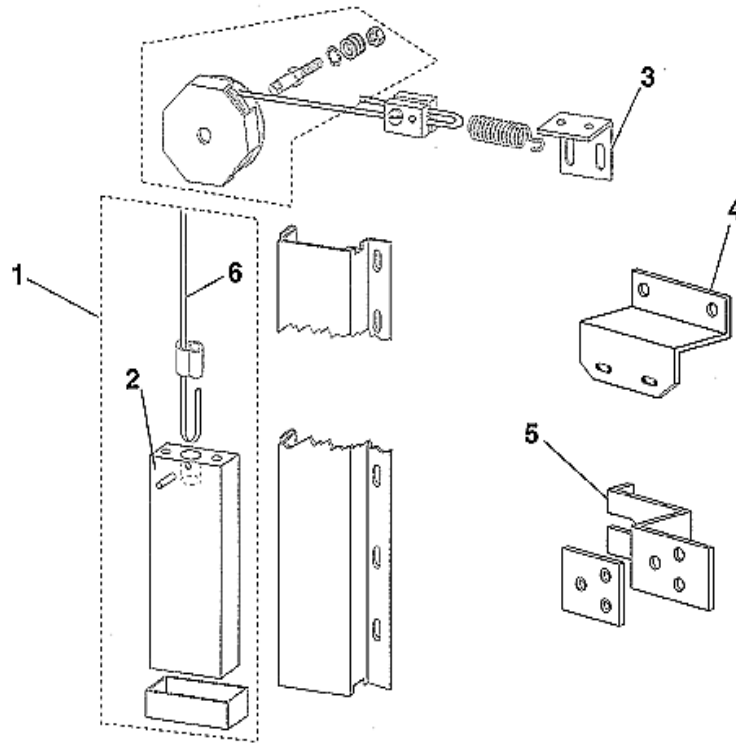
Page 6 - Spring and Travelling Weight Closer



REF. NO.	W/O VINTAGE PART or ML	DESCRIPTION
1	BTFH 3/8X3/4	Bolt, 3/8 x 3/4 in. (BTFH 3/8X3/4)
2	316BKT1	Bracket
3	56Y3	Eyebolt
4	2119H2	Kit, Mounting Parts for Type 6940D Spring Closer (2-Spd. Doors)
	2119H1	Kit, Mounting Parts for Type 6940D Spring Closer (S/S, C/O Doors)
5	130J4	Lockwasher, Internal/External
6	NUT FHJ1/4	Nut, Jamb, 1/4 in. (NUT FHJ1/4)
7	91AE1	Spring, Extension (2-Spd. Doors)
	91W5	Spring, Extension (S/S & C/O Doors)

SPL 26-6940D - Spring and Travelling Weight Closer

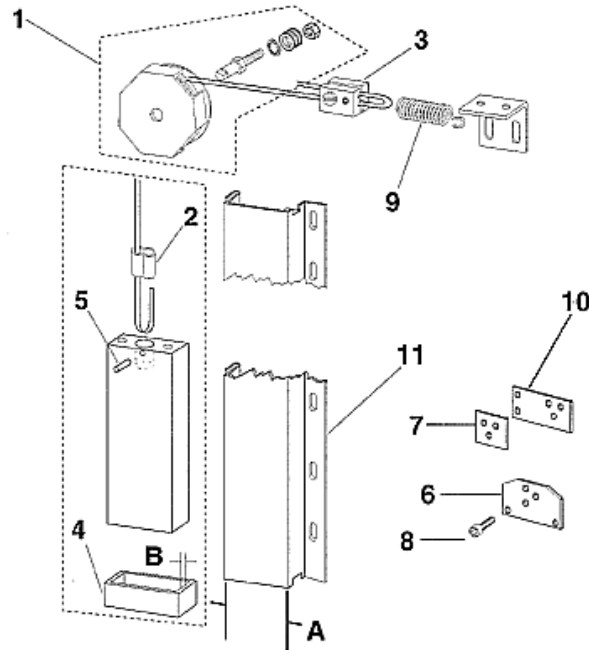
Page 7 - Spring and Travelling Weight Closer



REF. NO.	W/O VINTAGE PART or ML	DESCRIPTION
1	A6940AD1	Assembly, Weight Closer (C/O Doors; 7087 or Integral Hangers)
	A6940AD2	Assembly, Weight Closer (S/S & 2-Spd Doors; 7087, 7060, or Integral Hangers)
	A6940AD3	Assembly, Weight Closer (C/O Doors; 7060 Hangers)
2	299YM1	Bar, Weight, 10 in. L
	299YM2	Bar, Weight, 16 in. L
3	283FC1	Bracket, Mounting (S/S & 2-Spd. Doors; 7060 & 7087 Hangers)
4	316CAL1	Bracket, Mounting (C/O Doors; 7060 & 7087 Hangers)
5	316CCC1	Bracket, Mounting (S/S & 2-Spd. Doors; Integral Hangers)
6	174AS21	Cable, Aircord, 9 ft. L
	174AS3	Cable, Aircord, 1/8 in. Dia., 7 ft. 8 in. L

SPL 26-6940D - Spring and Travelling Weight Closer

Page 8 - Spring and Travelling Weight Closer



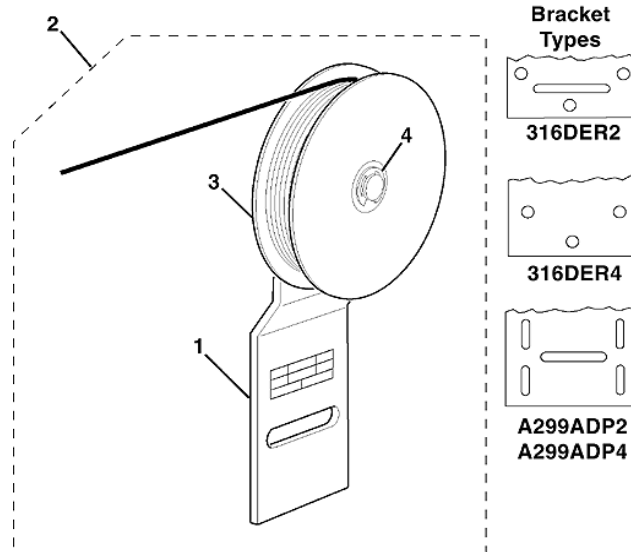
**P/N A325P2, red color cup, was installed with trough (ref. 10) to approximately the end of 1963, after which the green color cup (p/n A325P1) has been used. It is important to note the dimensional differences indicated.

REF. NO.	W/O VINTAGE PART or ML	DESCRIPTION
1	265BD3	Assembly, Sheave, w/59BP1 Bolt
	265BD5	Assembly, Sheave, w/59BP3 Bolt
2	336GF1	Clamp
3	336GG1	Clamp
4**	A325P1	Cup, Formed, Polyurethane, Green, B=3/32 in.
	A325P2	Cup, Formed, Polyurethane, Red, B=1/16 in.
5	81AX1	Pin
6	386AYC1	Plate, 3-1/2 in. L, 2-1/8 in. W (W→ Integral Hangers)
7	386AKS1	Plate, Clamp, 1-7/16 in. L, 1-1/2 in. W (W→ Integral Hangers)
8	SCCP HS0C5/16X5/8	Screw, Hex Head Socket
9	91B17	Spring
10	298KF1	Strip, 2-3/8 in. L, 1/2 in. W (W→ Integral Hangers)
11	393BA2	Trough, 6 ft. 6 in. L
	393BA1	Trough, 6 ft. 7-1/2 in. L

NOTE: Part manufactured before 1963, A=2-5/32 in.; after 1963, A=2-1/4 in.

SPL 26-6940D - Spring and Travelling Weight Closer

Page 9 - Spring and Travelling Weight Closer



REF. NO.	W/O VINTAGE PART or ML	DESCRIPTION
1	316DER2	Bracket, 8.76 in. L (for B6940AN1 and B6940AN2 Types)
	A299ADP2	Bracket, Straight, for A6940AN1
	A299ADP3	Bracket, Offset, for A6940AN2
	316DER4	Bracket, Offset, w/o Slot, 7.50 in. L, W → B6940AN3 & B6940AN4
2	A6940AN1	Closer, Spring Reel (w/Straight Bracket)
	A6940AN2	Closer, Spring Reel (w/Offset Bracket), W → MRVF Lock Applications
	B6940AN1	Closer, Spring Reel, w/Bracket
	B6940AN2	Closer, Spring Reel, w/Bracket,
	B6940AN3	Closer, Spring Reel, , W → QL Operators w/Techna Lock Applications
	B6940AN4	Closer, Spring Reel, , W → QL Operators w/Techna Lock Applications
	3-6940AN1	Closer, Spring Reel (w/Bracket; W → Type "O" Operators, Retrofit for 6 in. Spirator Used Before August 1972), MSL 23.5-1.
3	A6940AR1	Reel (Spirator; includes cable and eyelet)
4	172DR6	Ring, Retaining