

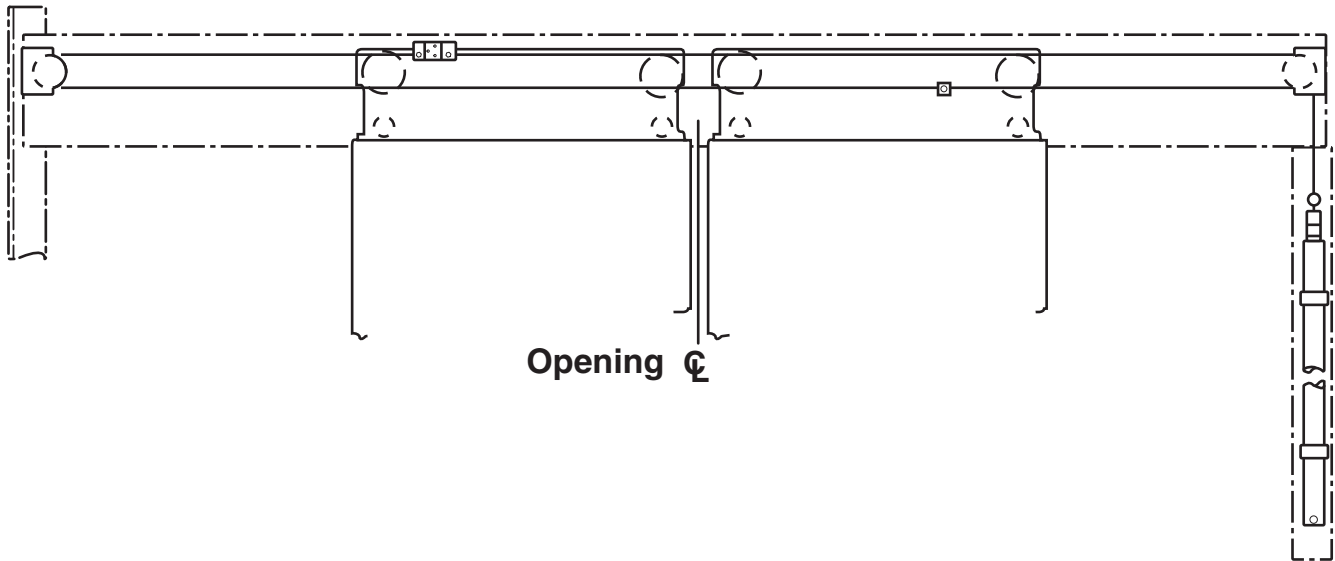
Door Closer, Hoistway
for QL and OVL-HPM
Door Operator Systems

Spare Parts Leaflet

26-6331BR

May 1, 2000 / Page 1 of 6

**W/O
VINTAGE**



OTIS

SERVICE ENGINEERING

**Otis Elevator Company
Bloomfield, Connecticut USA**

History
26-6331BR
First Published: May 1, 2000

Door Closer, Hoistway for QL and OVL-HPM Door Operator Systems

REVISED DATE	RESPONSIBLE ENGINEER	PRIMARY REASON FOR REVISION
May 1, 2000	Duane Stupienski	Initial Release

Leaflet Description

The parts leaflet describes the lowest replacement units for the indicated types of door closers. These door closers currently have application to the QL and OVL-HPM type door operator drive systems.

RELATED LEAFLET NUMBERS	TITLES
26-AAA23402L	Door Weight Closer
26-YXJO6940BL	Door Closer, Weighted, MRQ

DRAWING REFERENCES	DRAWING REFERENCES
6331BR, A6331BR, B6331BR: Center-Opening Doors Door Closer	AAA23402L, Door Weight Closer
6331BS, B6331BS: Single-Slide Door Closer	AAA6940BR, Door Weight Closer
AAA6331CB: 2-Speed Doors Door Closer	AYXJO6940BL, Door Weight Closer

RELATED DOCUMENT NUMBERS	TITLES

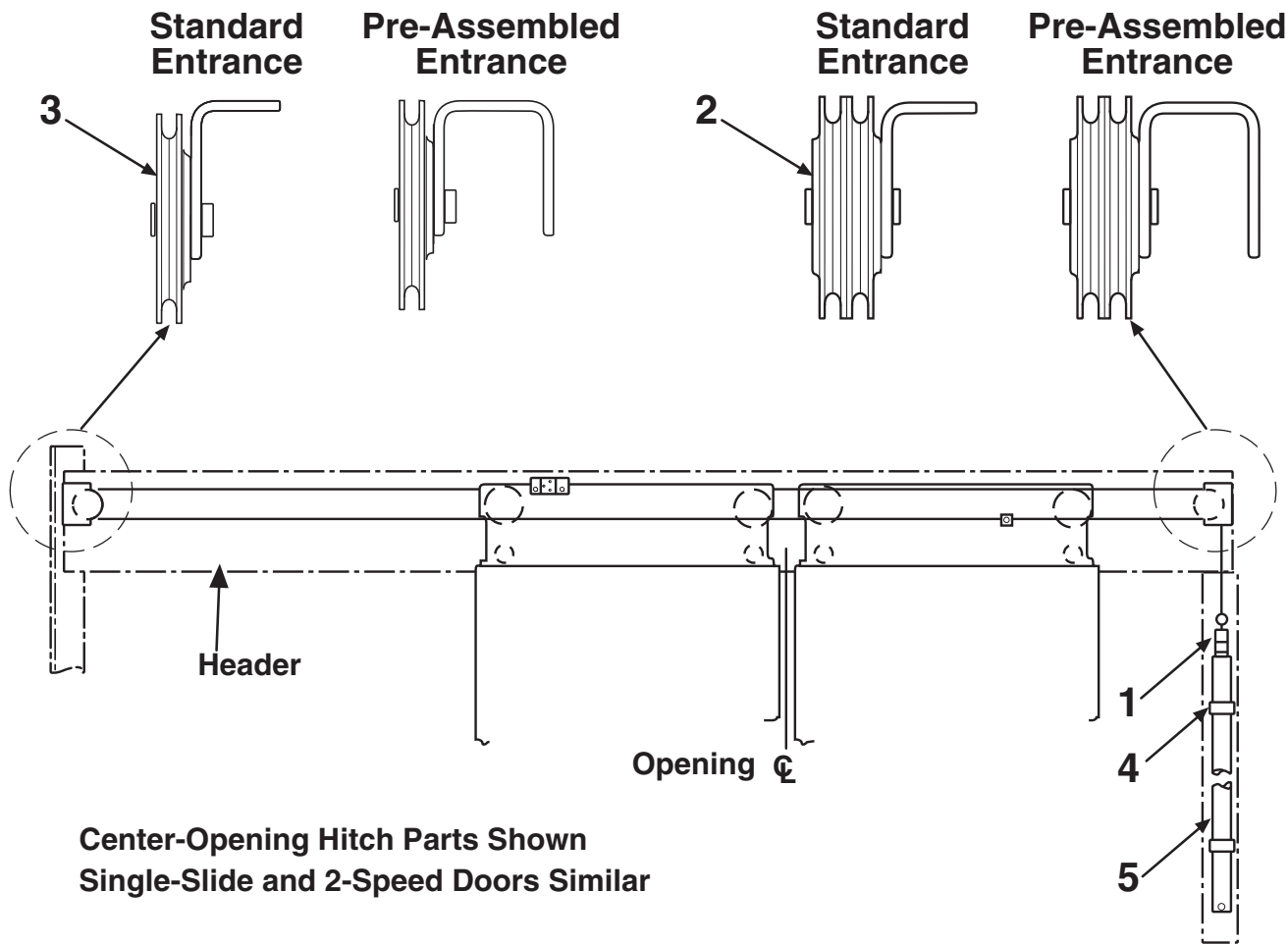
This Spare Parts Leaflet (SPL) is prepared to assist you in determining the Lowest Replaceable Units (LRU) supported by the Otis Service Center for the standard version of the product titled on the preceding page. The parts are chosen by Otis associates from: Engineering, Field Engineering, Service Engineering, and Manufacturing. We attempt to make part identification as easy as possible. The SPL, however, cannot be all inclusive. Elevator and escalator contracts classified as either "special" or "custom" are not addressed. Alternative sources of information such as: the Contract Folder, Technical Information Publications, Field Education Articles, Construction Letters, etc. may give the information you are after. You live in the real world of maintaining your elevator and escalator contracts. On a daily basis, situations arise regarding parts identification and at times, for some reason, the part you need is not in the SPL. If you think a standard part not listed should be—let us know. We will respond.

--

Duane Stupienski-Service Engineering

Center-Opening Hoistway Door Closer

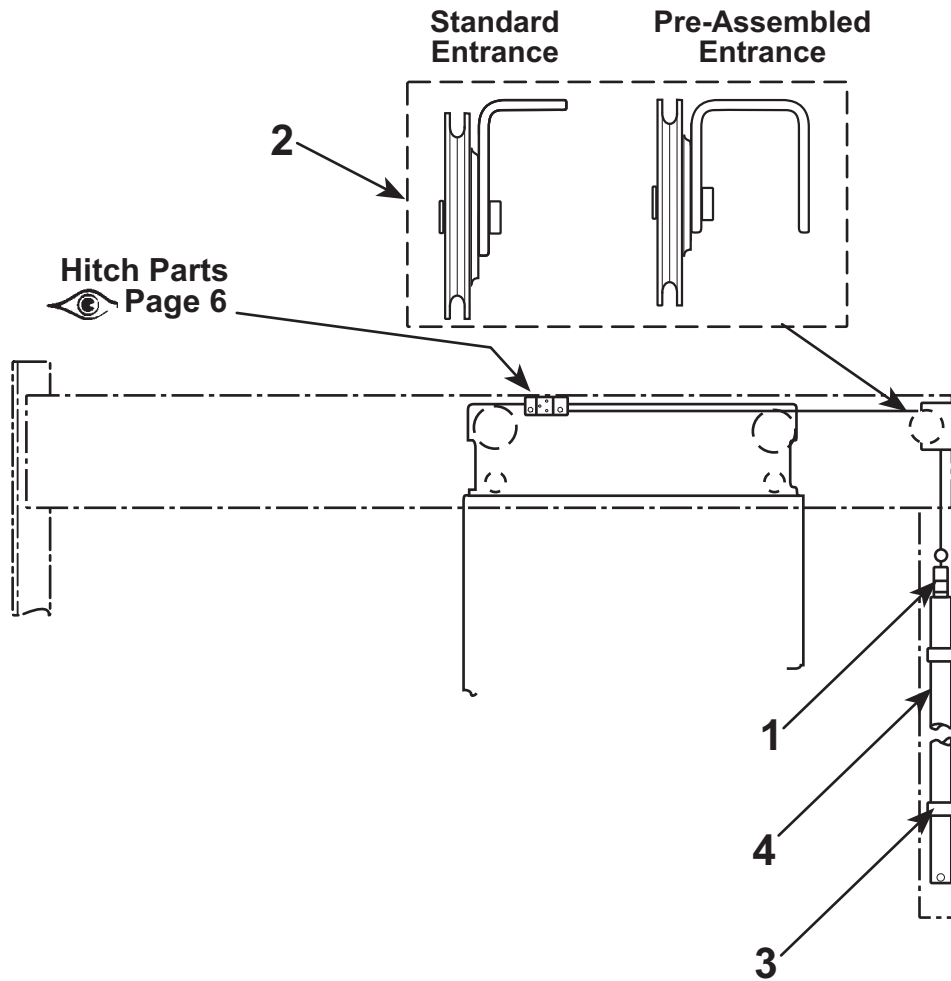
26-6331BR



Center-Opening Hitch Parts Shown
Single-Slide and 2-Speed Doors Similar

REF. NO.	W/O VINTAGE			DESCRIPTION
	Type 6331BR ~1988-10/94	Type A6331BR ~10/94-7/1/96	Type B6331BR 7/2/96-Present	
	PART or ML			
1	Type YXJO6940BL	---	---	Weight Closer Assembly 👁️ SPL 26-YXJO6940BL
	---	---	Types AAA6940BR & AAA23402L	Weight Closer Assembly 👁️ SPL 26-AAA23402L
2	AAA00265AAA001	---	---	Sheave Assembly 👁️ Standard Entrance
	AAA265CB1			Sheave Assembly 👁️ Pre-assembled Entrance
3	AAA00265AAA002	---	---	Sheave Assembly 👁️ Standard Entrance
	AAA265CB2			Sheave Assembly 👁️ Pre-assembled Entrance
4	336KN2	---	---	Clamp
5	137AM3	---	---	Tube

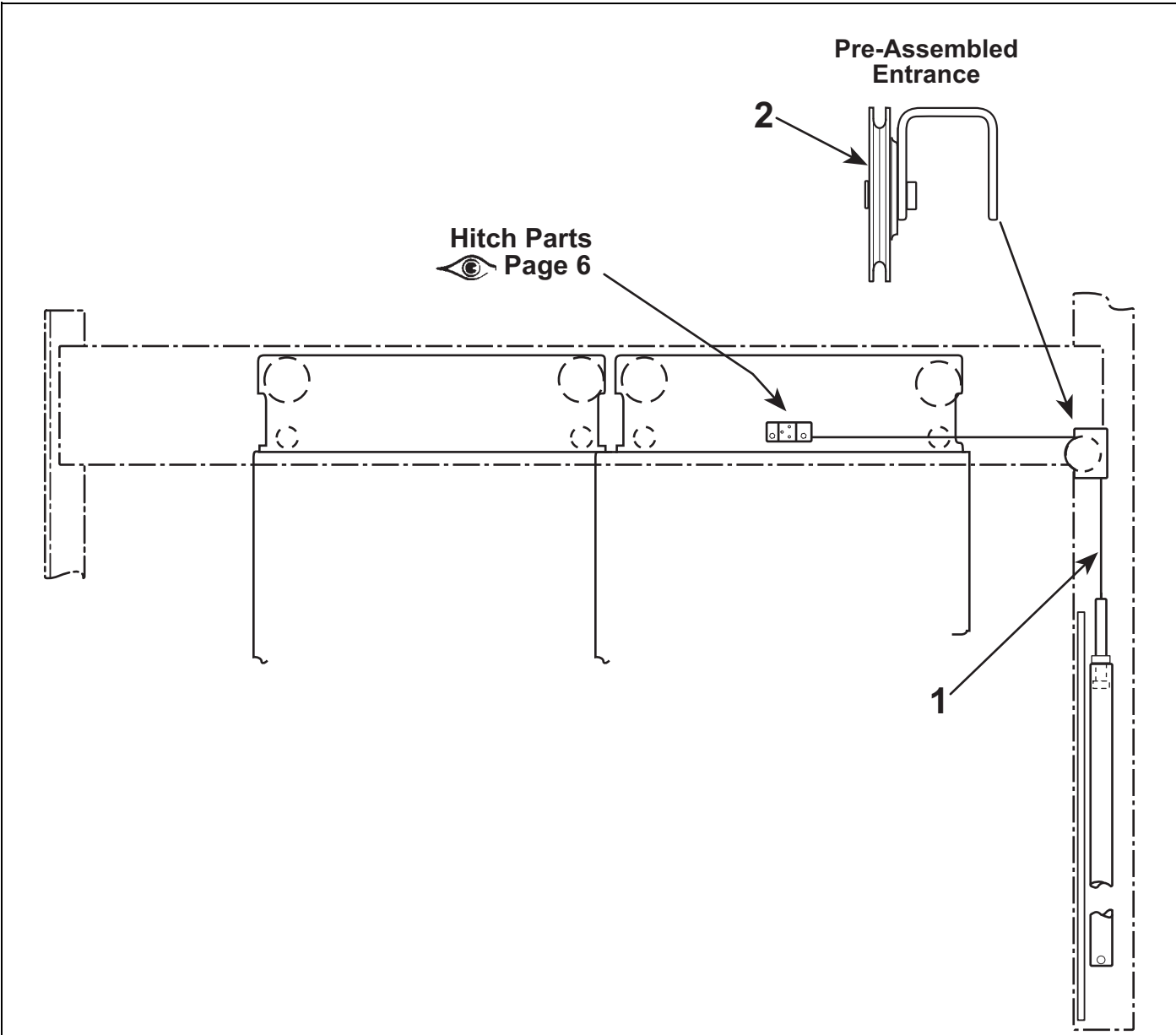
Single-Slide Hoistway Door Closer



REF. NO.	W/O VINTAGE		DESCRIPTION
	Type 6331BS ~2/88-10/95	Type B6331BS ~10/95-Present	
	PART or ML		
1	Type YXJO6940BL	---	Weight Closer Assembly SPL 26-YXJO6940BL
	---	Type AAA6940BR AAA23402L ←	Weight Closer Assembly SPL 26-AAA23402L
2	AAA00265AAA002	---	Sheave Assembly Standard Entrance
	AAA265CB2		Sheave Assembly Pre-assembled Entrance
3	336KN2	---	Clamp
4	137AM3	---	Tube

Two-Speed Hoistway Door Closer

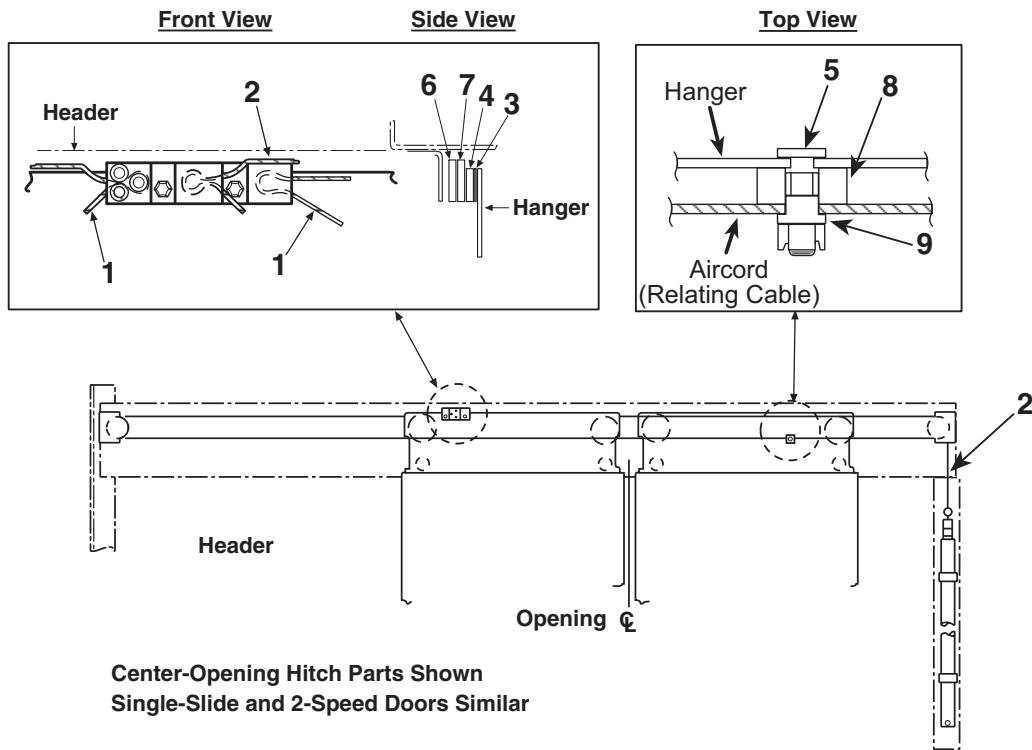
26-6331BR



NOTE: Pre 1995 two-speed closer systems used either sill mounted spring closers (SPLs: 26-JO6940BH or 26-AAA6940BM) or spirator closers (see SPL: 27-C6940AP).

REF. NO.	PART or ML	DESCRIPTION
	W/O VINTAGE Type AAA6331CB POST 1995	
1	Type AAA6940BR AAA23402L	Weight Closer + Cable Assembly SPL 26-AAA23402L
2	AAA265CB2	Sheave Assembly Pre-assembled Entrance

Door Closer & Relating Cable Hitch Parts



Center-Opening Hitch Parts Shown
Single-Slide and 2-Speed Doors Similar

W/O VINTAGE		
All Versions of Types: 6331BR/BS and AAA6331CB		
Part No.		

Ref. No.	W/O VINTAGE			Description	
	Center-Opening	Single-Slide	Two-Speed		
1	174AS995			Aircord, C/O Relating Cable (Order Per Foot)	
				For Openings	Order Quantity
				36"/900 mm	14 ft.
				1000 mm	15 ft.
				42"/1100 mm	16 ft.
			48"/1200 mm	18 ft.	
2	---			Aircord, Weight Closer SPL 26-AAA23402L or 26-YXJO6940BL (pre ~1997 installations)	
3	A299G5		---	Bar, 3.25 in. L, 0.38 in. Thick	
4	A299G41		---	Bar, 3.25 in. L, 0.0598 in. Thick	
5	65CN1			Bolt, Special	
6	386AKS1			Clamp	
7	392BC3	392BC4		Hitch	
8	231E1			Socket	
9	133BC1			Washer	

