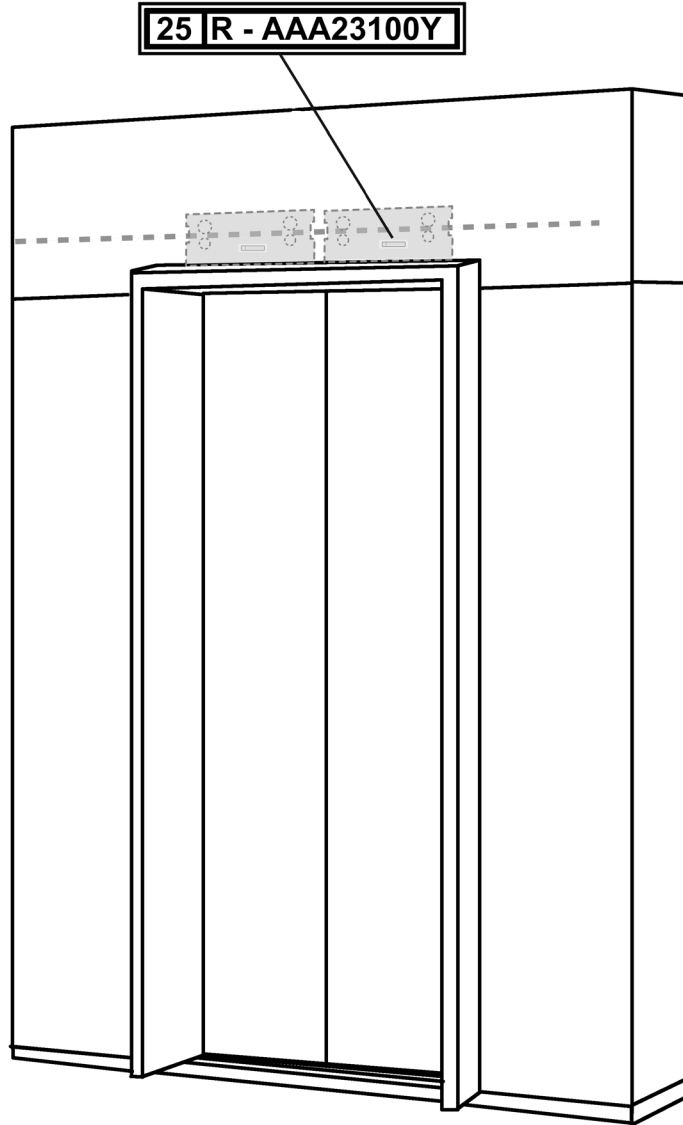


Hoistway Door (Weldless)

Spare Parts Leaflet

25-AAA23100Y

August 10, 2006 / Page 1 of 5



Unpublished Work—© Otis Elevator Co.; 2006

OTIS

Safety First!

SERVICE ENGINEERING

Otis Elevator Company

Bloomfield, Connecticut USA

Leaflet Description

This SPL supports the LRUs for the “weldless” door. The weight of the door panel is reduced by more than 25%. The lighter door panel design will allow for the use of smaller, commercially-available door operators for significant future cost reduction and global standardization. The lighter door panel reduces the load on door roller. This will provide improvement opportunities in both roller life and noise characteristics.

Leaflet Revisions

Date Revised	Subject Matter Expert	Reason for Revision
February 12, 2003	Aziz Amer	New SPL
August 10, 2006	Diem Tran	Added 72BX19 on page 3.

Related Drawings

Drawing No.	Title
AAA23100Y	Door Assembly, Hoistway Door for 6940 Interlocks (Weldless Door)

Related Documents

Document ID	Title
23-AAA24470Q	Black Belt Door Operator, Center-Opening Doors Linkage Assembly
23-AAA24350BH	Harmonic Drive i-Motion® II Car Door Operator
19-AAA6178CS	Integral Car Door Hanger and Track Assembly
25-AAA24479AAA	Door Bottom Guides and Retainers
19-AAA6940BY	Hinged Door Stop
25-6178R	Integral Hanger Hoistway Door Systems, Center-Opening, Single-Slide, and Two-Speed

Subject Matter Expert

Name	Department
Diem Tran	OSC Service Engineering

About Spare Parts Leaflets...

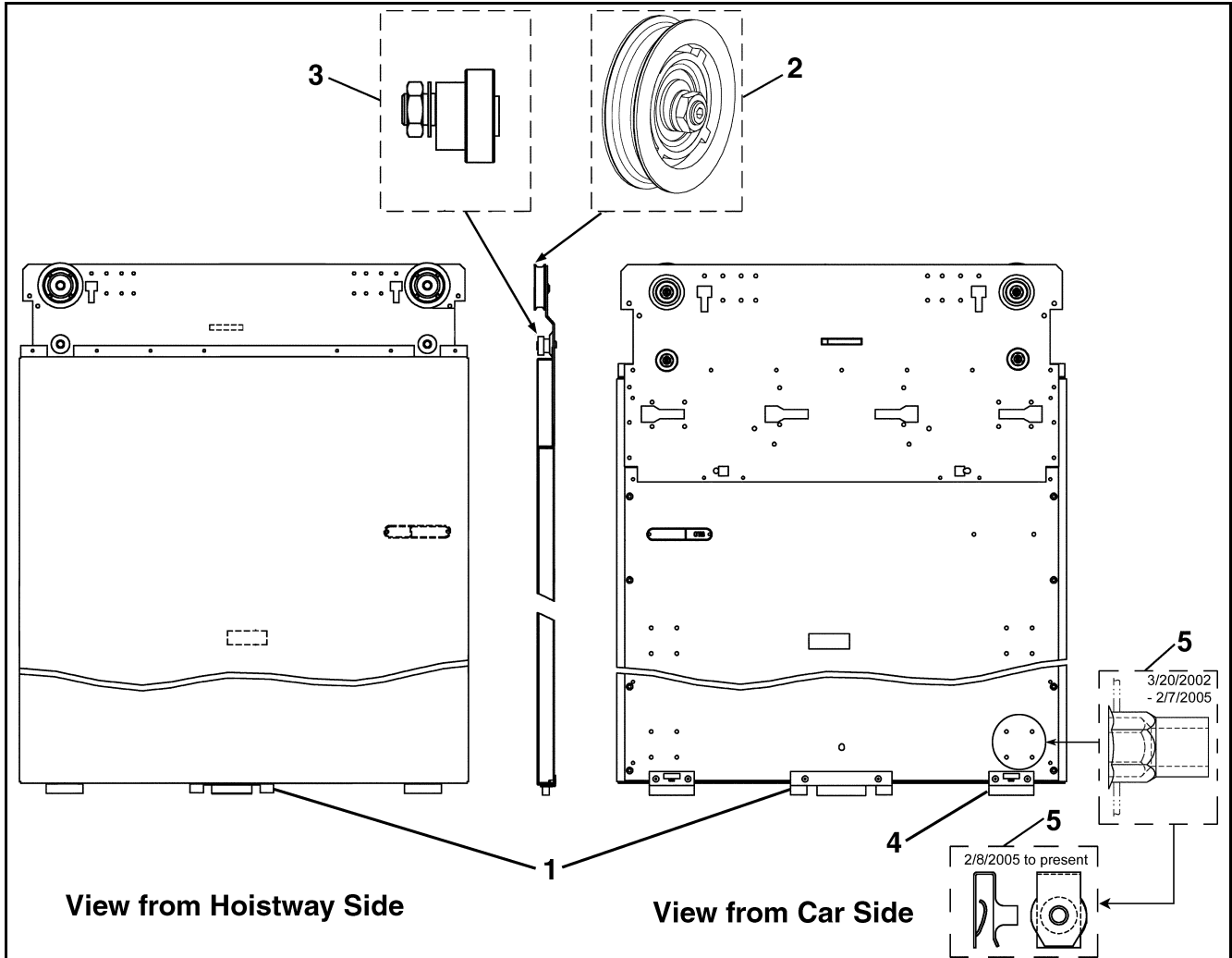
This document lists the lowest replaceable units (LRUs) for the standard version of the product. The LRUs are chosen by a team of Otis associates representing engineering and manufacturing.

While goal of this document is to make parts identification as easy as possible, the document cannot be all-inclusive. Elevator and escalator contracts classified as “special” or “custom” are not addressed here. For such contracts, please refer to specified information, the contract folder, TIPs, Field Education Articles, Construction Letters, etc. for further information.

If you have any suggestions about this document, please contact the subject matter expert listed on this page.

Hoistway Door Spare Parts

25-AAA23100Y

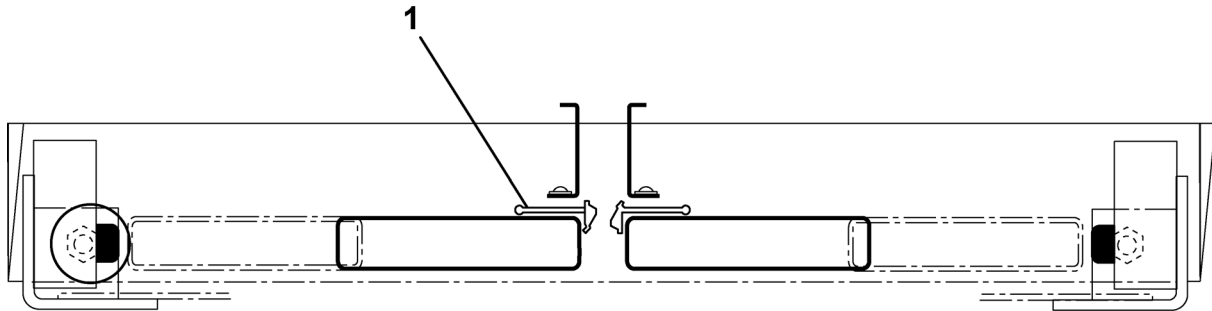


View from Hoistway Side

View from Car Side

AAA23100Y		
REF. No.	PART No.	DESCRIPTION
		3/20/2002 – 2/7/2005
		2/8/2005 to Present
1	AAA24479C400	Assembly, Door Guide, Type AAA24479C, SPL 25-AAA24479AAA
2	AAA456YA3	Assembly, Door Roller, w/Nut and Washer Ø = 86 mm (3.375 in.)
3	AAA456XZ5	Assembly, Eccentric Roller w/Nut and Washer (for two-speed fast door panel only), Ø = 35 mm (1.4 in.), L = 37 mm
	AAA456XZ8	Assembly, Eccentric Roller w/Nut and Washer (for 2/S slow door panel and all S/S and C/O panels), Ø = 35 mm (1.4 in.), L = 46 mm
4	AAA385SM400	Kit, Retainer, Door Bottom
5	NOTE 72BX19	Nut, Speed, 5 mm

NOTE: Prior to 2/8/2005, door came with factory pre-installed nutserts that require special tools to replace/install. Contact OSC for further information.



Top View of Typical Entrance

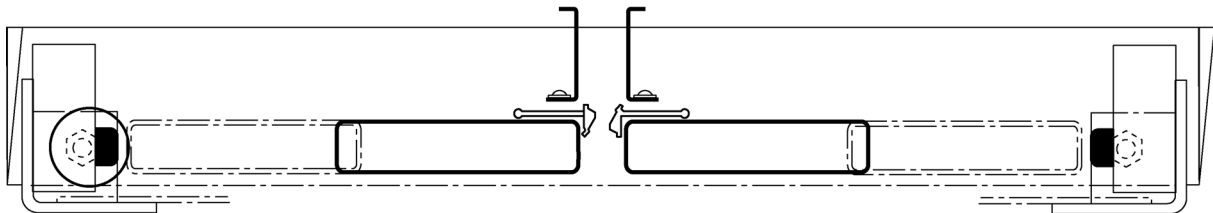
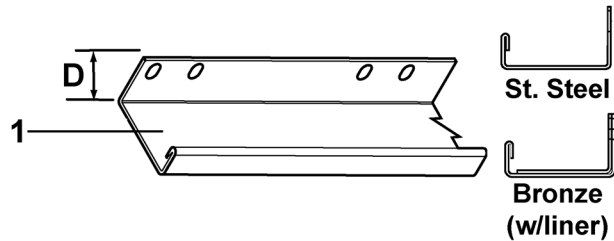
REF. No.	PART No.	DESCRIPTION
	AAA23100Y	
1	AAA402ZW3	Astragal, L = 2880 mm (w/pre-drilled holes)
	AAA402ZW4	Astragal, L = 2167 mm (w/pre-drilled slots)
	AAA402ZW5	Astragal, L = 2472 mm (w/pre-drilled slots)

Sight Guard

25-AAA23100Y

Sight Guard Cut Lengths

Entrance Height	Cut Length	
	Inch	Millimeters
7.0'	84.0	2133
8.0'	96.0	2438
2100 mm	82.7	2100
2300 mm	90.5	2300



Top View of Typical Entrance

REF. No.	PART No. (see NOTE)	MATERIAL FINISH	ENTRANCE HEIGHT (mm)	D (mm)
1	AAA384ZF1-	St. Steel	2133	30
	AAA384ZF2-		2438	
	AAA384ZF3-	Bronze	2133	
	AAA384ZF4-		2438	
	AAA384ZF5-	St. Steel	2100	30
	AAA384ZF6-		2300	
	AAA384ZF7-	Bronze	2100	
	AAA384ZF8-		2300	
	AAA384ZF9-	St. Steel	2133	32.5
	AAA384ZF10-		2438	
	AAA384ZF11-	Bronze	2133	
	AAA384ZF12-		2438	
	AAA384ZF13-	St. Steel	2100	32.5
	AAA384ZF14-		2300	
	AAA384ZF15-	Bronze	2100	
	AAA384ZF16-		2300	
AAA384ZF999-	Plain or St. Steel	VARIABLE	30	
AAA384ZF998-	Bronze			
AAA384ZF997-	Plain or St. Steel			
AAA384ZF996-	Bronze			
				32.5

NOTE: The full part identification is the part number, a dash (-), and the material finish. For those part numbers whose entrance height is variable, indicate the desired length in millimeters (see Example).

Material Finishes:

- steel&primer = Steel w/Primer Only
- SS4 = Stainless Steel (Brushed)
- SS8 = Stainless Steel (Mirror)
- BR7 = Bronze (Brushed)
- BR8 = Bronze (Mirror)

Example (contract special):

A sight guard 2250 mm long with a finish of plain steel and primer and a 32.5 mm return leg.
(p/n = AAA384ZF997-2250-steel&primer)

Example (contract special):

Brushed bronze for 8' entrance and with D = 30 mm
(p/n = AAA384ZF4-BR7)

For any bronze applications, specify only the bronze parts with the appropriate BR7 or BR8 suffix.