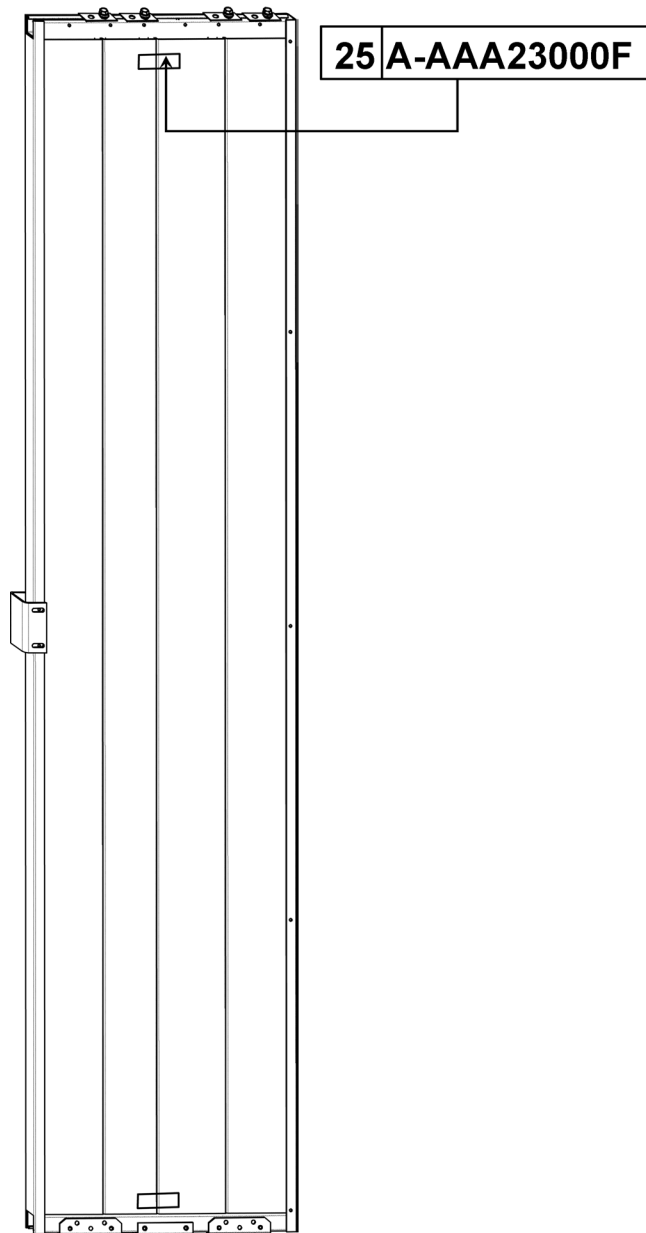


Door Assembly

Spare Parts Leaflet

25-AAA23000F

November 20, 2024 / Page 1 of 5



OTIS

This document does not contain any technical data subject to EAR or ITAR

SERVICE ENGINEERING
Otis Elevator Company
Bloomfield, Connecticut USA

Unpublished Work—© Otis Elevator Co.; 2019

History

25-AAA23000F

Leaflet Description

This SPL lists the spare parts information for the Otis Service Center / Columbia Elevator 81 style door program.

Leaflet Revisions

Date Revised	Subject Matter Expert	Reason for Revision
November 15, 2007	Diem Tran	New SPL
July 20, 2011	Brian Regan	pp. 1 and 3 added note and new LRUs
November 27, 2019	Peter Kelley	Revised history page
November 20, 2024	Jordan Thomas	Change p/n VP-790254 to NYLBDW-2.

Related Drawings

Drawing No.	Title	Drawing No.	Title
AAA23000F	Assembly, Door		

Related Documents

Document ID	Title

Subject Matter Expert

Name	Department
Jordan Thomas	OSC Service Engineering

About Spare Parts Leaflets...

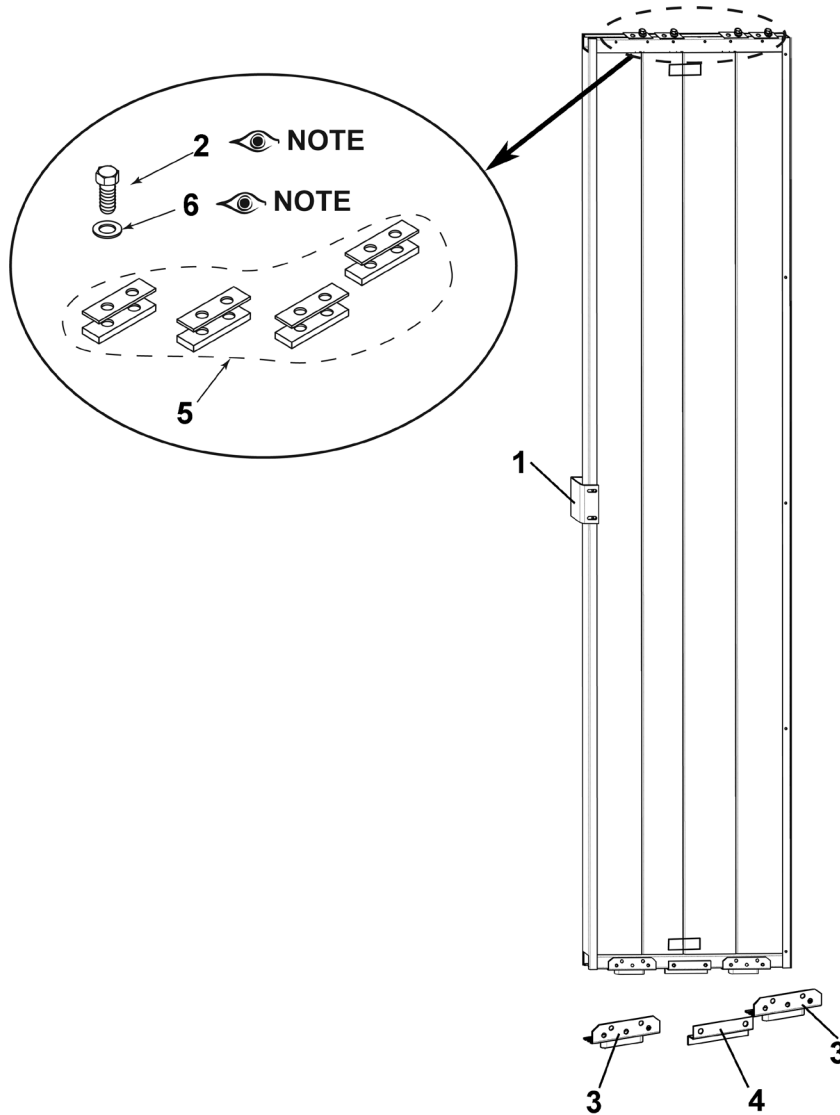
This document lists the lowest replaceable units (LRUs) for the standard version of the product. The LRUs are chosen by a team of Otis associates representing engineering and manufacturing.

While goal of this document is to make parts identification as easy as possible, the document cannot be all-inclusive. Elevator and escalator contracts classified as “special” or “custom” are not addressed here. For such contracts, please refer to specified information, the contract folder, TIPS, Field Education Articles, Construction Letters, etc. for further information.

If you have any suggestions about this document, please contact the subject matter expert listed on this page.

Door Hanging Plate Kit

25-AAA23000F



AAA23000F		
REF. No.	PART No.	DESCRIPTION
1	AAA283BCP1	Angle, Fire Clip
2	VP-711295	Bolt ,1/2-in.
	VP-711290	Bolt, 3/8-in.
3	VP-790154	Gib
	NYLBDW-2	
4	AAA385TK1	Guide
5	AAA23000F400	Kit, Door Hanging Plate
6	130A11	Washer, 1/2-in.
	130A9	Washer, 3/8-in.

NOTE: Order 3/8 inch or 1/2 inch hardware, as needed.

Sight Guard

25-AAA23000F

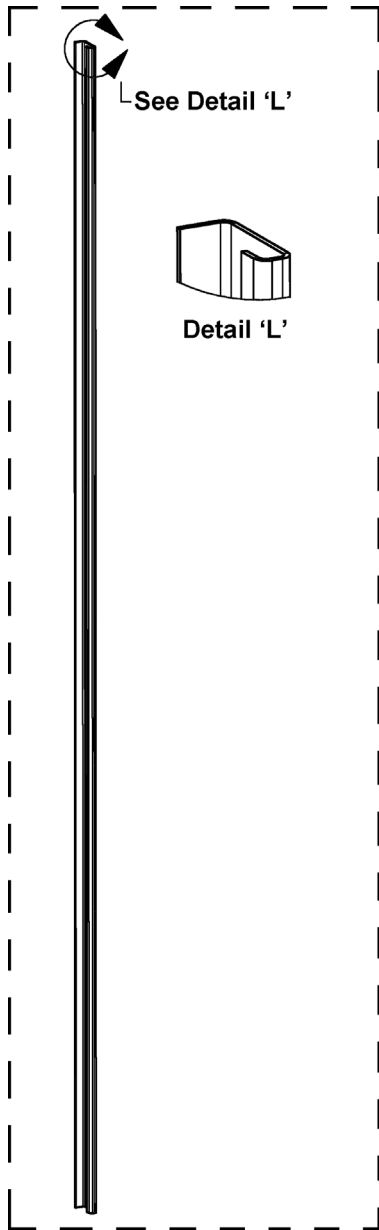


Table A

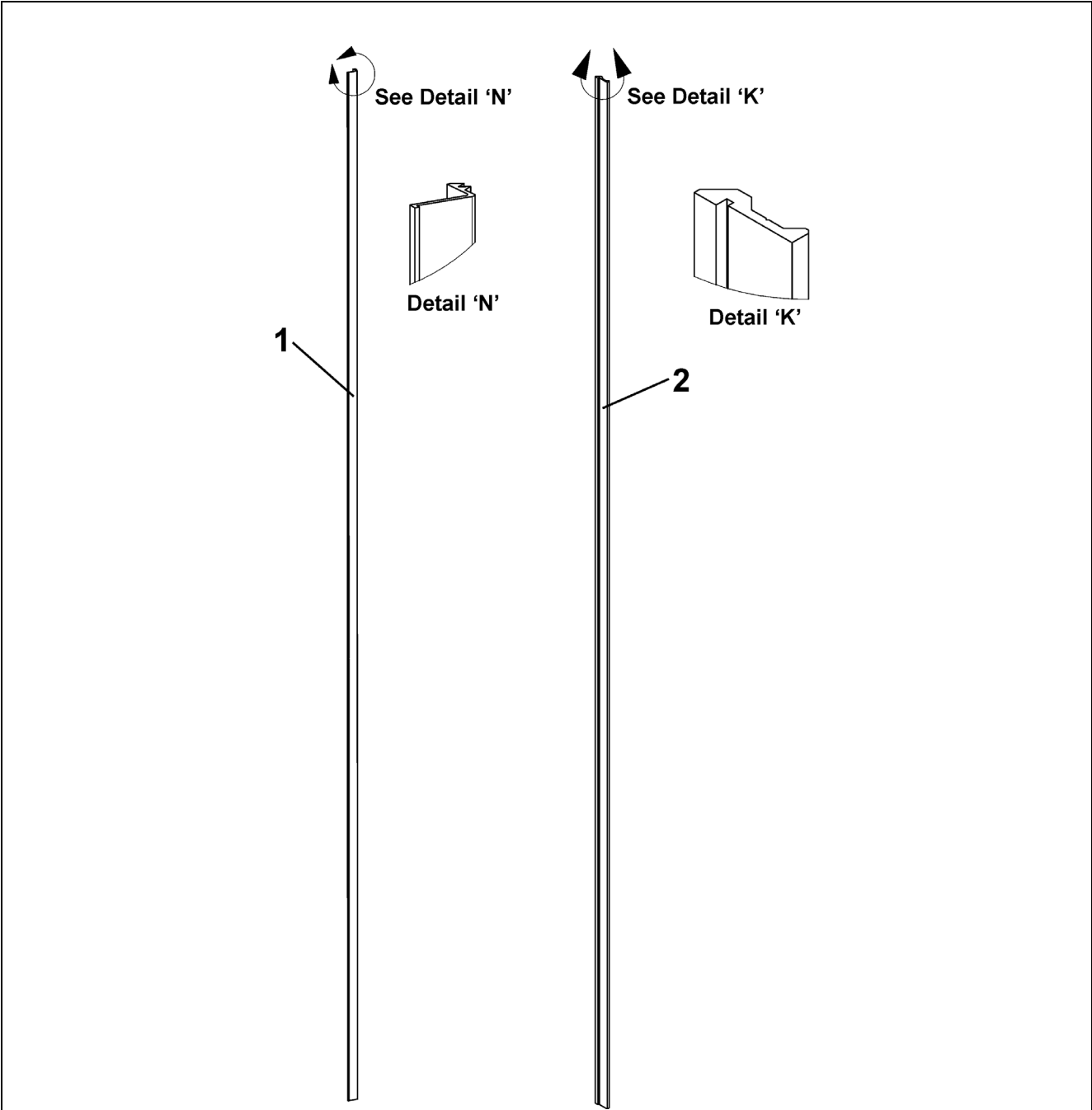
COLOR SPECIFICATIONS	
OTIS SPEC	DESCRIPTION
1030	CANVAS
6126	VANILLA
1060	SILVER GRAY
7030	LODESTONE
6150	KHAKI
1020	CAMEL
6523	DENIM
1055	GRASS
2740	MINERAL GRAY
1032	HEARTH
1065	BLACK
6195	BASIL
6070	PEARL
1034	FROST

AAA23000F				
REF. No.	PART No.	ENT HEIGHT (in.)	FINISH	DESCRIPTION
1	AAA384ARL1	84	Stainless Steel	Sight Guard
	AAA384ARL2	96		
	AAA384ARL3-____	84	Baked Enamel	
	AAA384ARL4-____	96	(see NOTE)	

NOTE: For baked enamel doors, complete part number with color code from Table A. Example:
 AAA384ARL3-1030 = baked enamel, canvas colored sight guard, ENT Height = 84 in.

Astragal and Binder

25-AAA23000F



AAA23000F			
REF. No.	PART No.	DESCRIPTION	ENT HEIGHT (in.)
1	VP-702430	Astragal	84
	VP-702435		96
2	AAA316HKD1	Bracket, Astragal Binder	84
	AAA316HKD2		96