

**Door Coupler,  
NG Door System**

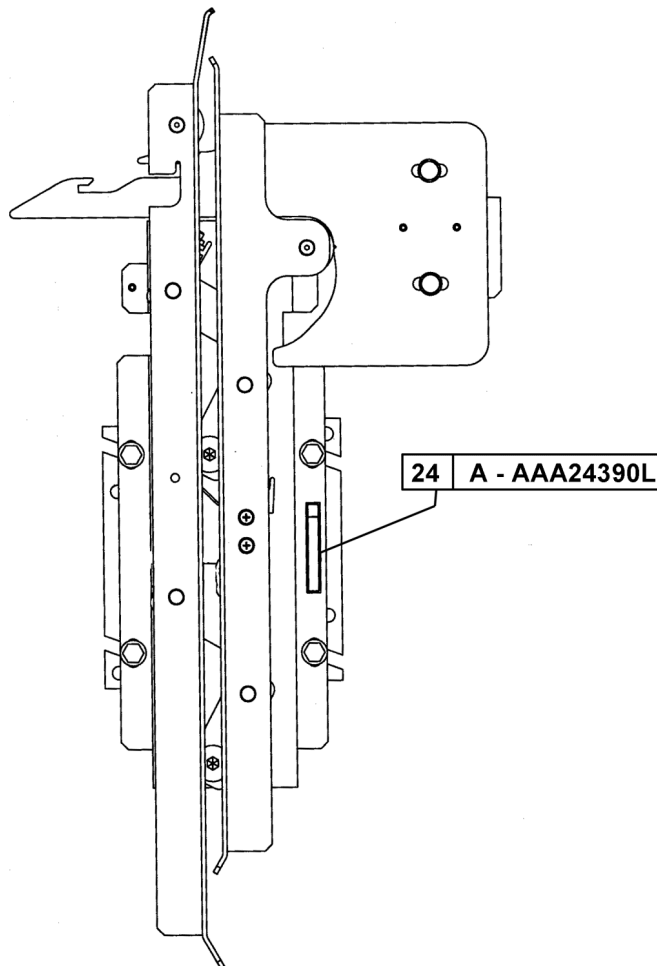
**Spare Parts Leaflet**

**24-AAA24390L**

**September 18, 2024 / Page 1 of 3**

# OBSOLESCENCE NOTICE

The product listed in this SPL is obsolete. Some components may still be available, but Otis recommends an upgrade (see TIP 32.2-1 for potential upgrade).



**OTIS**

This document does not contain any technical data subject to EAR or ITAR

**SERVICE ENGINEERING**  
**Otis Elevator Company**  
**Bloomfield, Connecticut USA**

Unpublished Work—© Otis Elevator Co.; 2024

**Leaflet Description**

This leaflet details the lowest replaceable units (LRUs) for door coupler used on NG door system. Coupler AAA24390J was also produced. See SPL 24-AAA24390J for service parts.

**Leaflet Revisions**

| <b>Date Revised</b> | <b>Subject Matter Expert</b> | <b>Reason for Revision</b>  |
|---------------------|------------------------------|-----------------------------|
| September 5, 2012   | Brian Regan                  | New SPL                     |
| February 10, 2016   | Brian Regan                  | Added p/n AAA81PS1 on p. 3  |
| January 17, 2018    | Brian Regan                  | Added p/n AAA320GS1 on p. 3 |
| November 27, 2019   | Peter Kelley                 | Revised history page        |
| September 18, 2024  | Juan Murillo                 | Added Obsolescence Notice   |

**Related Drawings**

| <b>Drawing No.</b> | <b>Title</b>                 | <b>Drawing No.</b> | <b>Title</b> |
|--------------------|------------------------------|--------------------|--------------|
| AAA24390L          | Assembly, Door Coupler, NSAA | ---                | ---          |

**Related Documents**

| <b>Document ID</b> | <b>Title</b>   |
|--------------------|--|
| SPL 23-AAA24470X   | Door Operator AT400, S/S, C/O, 2/S, NG Door System       |
| SPL 23-AAA24470M   | i-MOTION II Door Operator Linkage Assemblies             |
| SPL 19-AAA24600A   | Car Door Misc. Equipment, NG Door System, Vendor Doors   |
| SPL 19-AAA24520J   | Car Door Misc. Equipment, NG Door System, Otis Pan Doors |
| SPL 19-AAA24520K   | Auxiliary Door Stop: NG Door System                      |

**Subject Matter Expert**

| <b>Name</b>  | <b>Department</b>       |
|--------------|-------------------------|
| Peter Kelley | OSC Service Engineering |

**About Spare Parts Leaflets...**

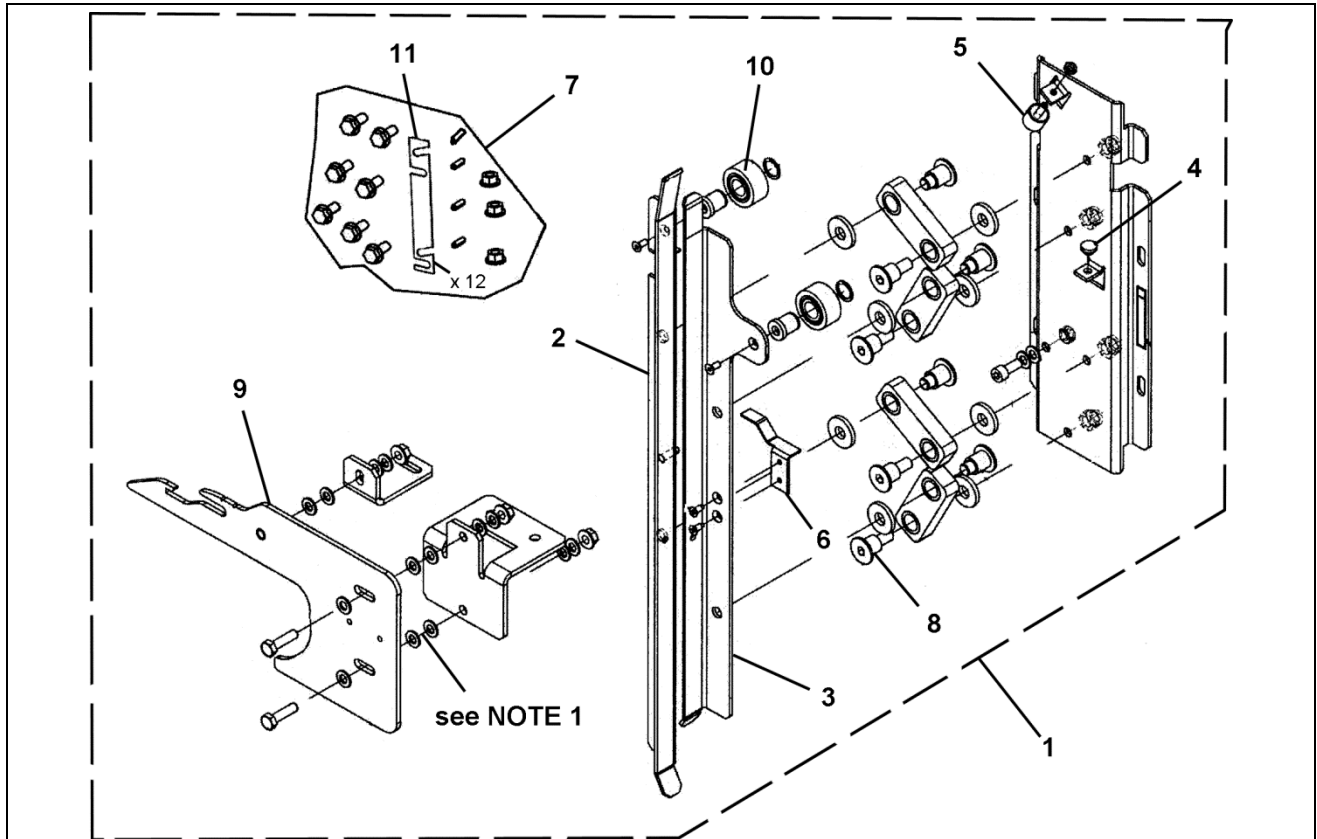
This document lists the lowest replaceable units (LRUs) for the standard version of the product. The LRUs are chosen by a team of Otis associates representing engineering and manufacturing.

While goal of this document is to make parts identification as easy as possible, the document cannot be all-inclusive. Elevator and escalator contracts classified as “special” or “custom” are not addressed here. For such contracts, please refer to specified information, the contract folder, TIPs, Field Education Articles, Construction Letters, etc. for further information.

If you have any suggestions about this document, please contact the subject matter expert listed on this page.

# Coupler Assembly

**24-AAA24390L**



| AAA24390L |              |  |               |                              |
|-----------|--------------|--|---------------|------------------------------|
| REF. No.  | PART No.     | DESCRIPTION                                      | ENTRANCE TYPE | RUNNING CLEARANCE            |
| 1         | AAA24390L1   | Assembly, Coupler, RH                            | S/S and C/O   | 25 mm (0.98 in.)             |
|           | AAA24390L2   | Assembly, Coupler, LH                            |               |                              |
|           | AAA24390L3   | Assembly, Coupler, RH                            | 2/S           | (without washers per NOTE 1) |
|           | AAA24390L4   | Assembly, Coupler, LH                            |               |                              |
|           | AAA24390L5   | Assembly, Coupler, RH                            | S/S and C/O   | 32 mm (1.26 in.)             |
|           | AAA24390L6   | Assembly, Coupler, LH                            |               |                              |
|           | AAA24390L7   | Assembly, Coupler, RH                            | 2/S           | (with washers per NOTE 1)    |
|           | AAA24390L8   | Assembly, Coupler, LH                            |               |                              |
| 2         | AAA272CFW1   | Angle, Formed, RH                                |               |                              |
|           | AAA272CFW2   | Angle, Formed, LH                                |               |                              |
| 3         | AAA272CFV1   | Angle, Formed, RH                                |               |                              |
|           | AAA272CFV2   | Angle, Formed, LH                                |               |                              |
| 4         | AAA320GK1    | Bumper, $\varnothing$ 14 mm                      |               |                              |
| 5         | AAA320GS1    | Bumper, $\varnothing$ 19 mm                      |               |                              |
| 6         | AAA327QA1    | Cam, RH  |               |                              |
|           | AAA327QA2    | Cam, LH  |               |                              |
| 7         | AAA24390L400 | Kit, Mounting Hardware for Ramp and Ramp Bracket |               |                              |
| 8         | AAA81PS1     | Pin  |               |                              |
| 9         | AAA386MGC1   | Ramp, RH   |               |                              |
|           | AAA386MGC2   | Ramp, LH   |               |                              |
| 10        | AAA456XR1    | Roller   |               |                              |
| 11        | AAA255MN1    | Shim, Thickness 1 mm (0.4 in.), see NOTE 2       |               |                              |

**NOTE 1:** Washers only present on arrangements 5–8.

**NOTE 2:** Shims are included in ref. 6 (qty. 12) or sold individually.