

**Door Coupler,
NG Door System**

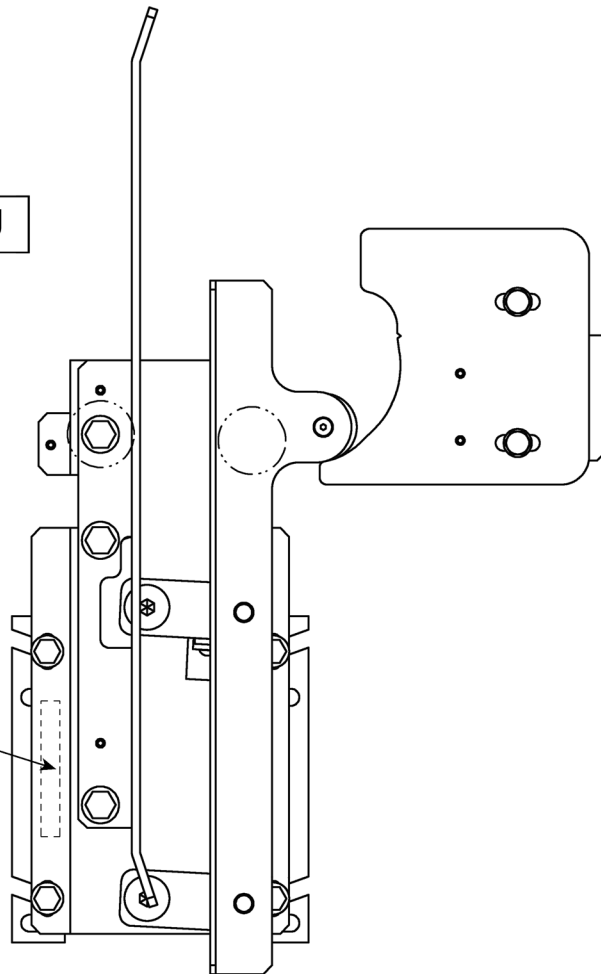
**Spare Parts Leaflet
24-AAA24390J**

September 18, 2024 / Page 1 of 3

OBSOLESCENCE NOTICE

The product listed in this SPL is obsolete. Some components may still be available, but Otis recommends an upgrade (see TIP 32.2-1 for potential upgrade).

24 A-AAA24390J



OTIS

This document does not contain any technical data subject to EAR or ITAR

**SERVICE ENGINEERING
Otis Elevator Company
Bloomfield, Connecticut USA**

Unpublished Work—© Otis Elevator Co.; 2024

Leaflet Description

This leaflet details the lowest replaceable units (LRUs) for door coupler used on NG door system. Coupler AAA24390L was also produced. See SPL 24-AAA24390L for service parts.

Leaflet Revisions

Date Revised	Subject Matter Expert	Reason for Revision
March 13, 2009	Brian Regan	New SPL
September 5, 2012	Brian Regan	Added NOTE to p. 3
February 10, 2016	Brian Regan	Added p/n AAA81PS1 on p. 3
November 20, 2019	Peter Kelley	Revised history page
September 18, 2024	Juan Murillo	Added Obsolescence Notice

Related Drawings

Drawing No.	Title	Drawing No.	Title
AAA24390J	Assembly, Door Coupler, NSAA	---	---
---	---	---	---

Related Documents

Document ID	Title
SPL 23-AAA24470X	Door Operator AT400, S/S, C/O, 2/S, NG Door System
SPL 23-AAA24470M	I-MOTION II Door Operator Linkage Assemblies
SPL 19-AAA24600A	Car Door Misc. Equipment, NG Door System, Vendor Doors
SPL 19-AAA24520J	Car Door Misc. Equipment, NG Door System, Otis Pan Doors
SPL 19-AAA24520K	Auxiliary Door Stop: NG Door System

Subject Matter Expert

Name	Department
Peter Kelley	OSC Service Engineering

About Spare Parts Leaflets...

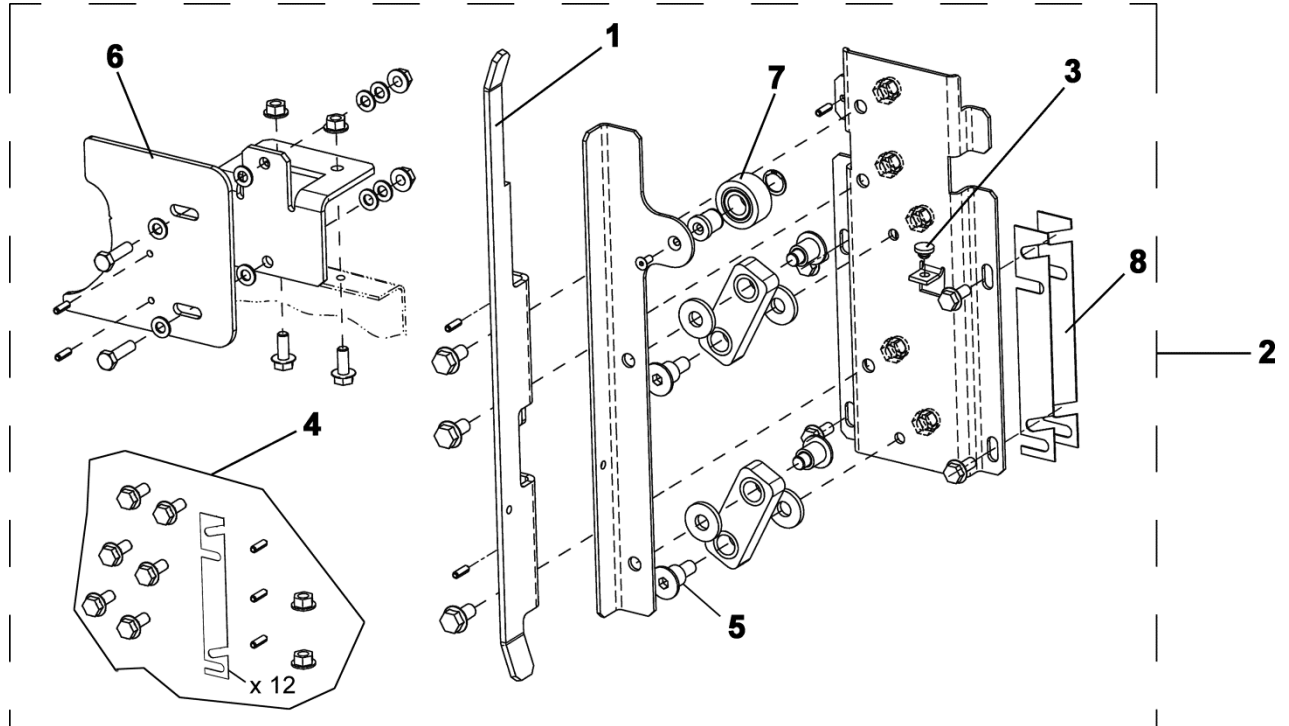
This document lists the lowest replaceable units (LRUs) for the standard version of the product. The LRUs are chosen by a team of Otis associates representing engineering and manufacturing.

While goal of this document is to make parts identification as easy as possible, the document cannot be all-inclusive. Elevator and escalator contracts classified as "special" or "custom" are not addressed here. For such contracts, please refer to specified information, the contract folder, TIPs, Field Education Articles, Construction Letters, etc. for further information.

If you have any suggestions about this document, please contact the subject matter expert listed on this page.

Coupler Assembly

24-AAA24390J



AAA24390J			
REF. No.	PART No.	DESCRIPTION	ENTRANCE TYPE
1	AAA283BCS1	Angle, Formed,	---
	AAA283BCS2	Angle, Formed,	---
2	AAA24390J1	Assembly, Coupler,	S/S and C/O
	AAA24390J2	Assembly, Coupler,	S/S
	AAA24390J3	Assembly, Coupler,	2/S
	AAA24390J4	Assembly, Coupler,	
3	AAA320GK1	Bumper	
4	AAA24390J400	Kit, Mounting Hardware for Coupler, Ramp, and Bracket	
5	AAA81PS1	Pin	
6	AAA386MDD1	Ramp	
7	AAA456XR1	Roller	
8	AAA255MN1	Shim, Thickness 1 mm (0.4 in.), See NOTE	

NOTE: Shims are included in kit ref. 4 (qty. 12) or sold individually.