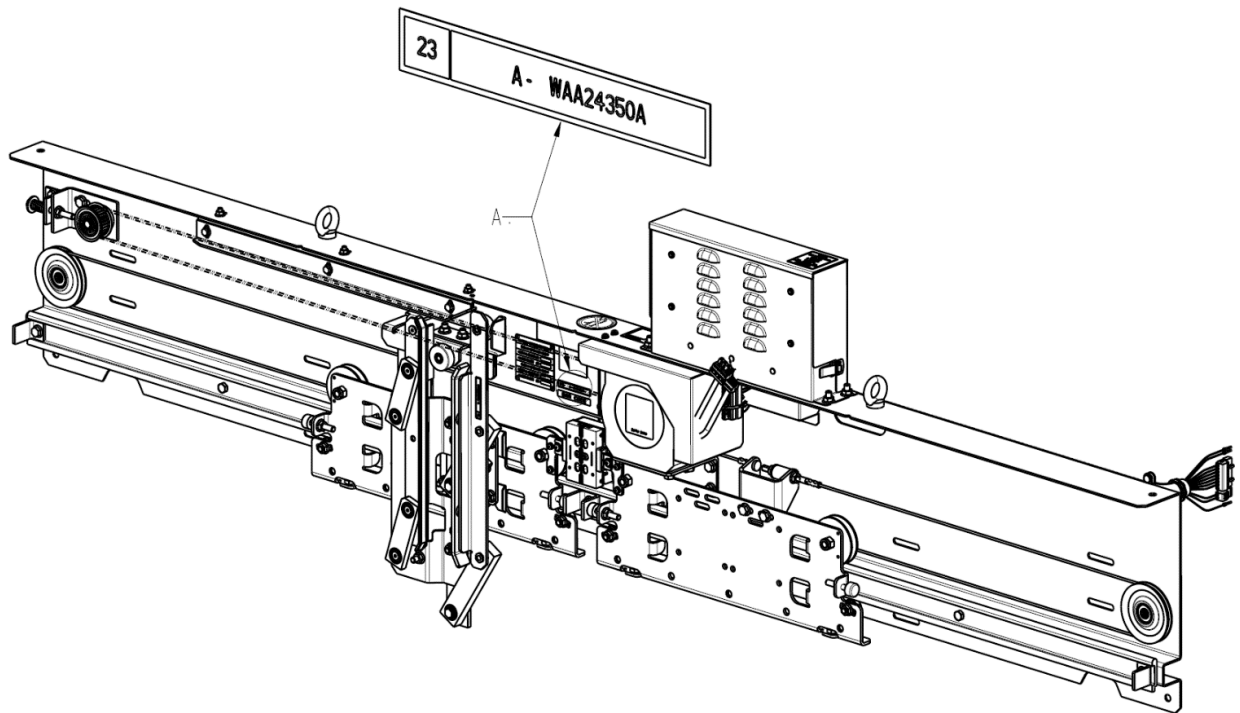


**GLIDE E Door Operator
CO, S/S, 2/S**

**Spare Parts Leaflet
23-WAA24350A**

January 29, 2025 / Page 1 of 16



This document does not contain any technical data subject to EAR or ITAR

**SERVICE ENGINEERING
Otis Elevator Company
Bloomfield, Connecticut USA**

Unpublished Work—© Otis Elevator Co.; 2025

History

23-WAA24350A

Leaflet Description

This Spare Parts Leaflet (SPL) reflects the Lowest Replaceable Units (LRUs) for Glide® E car door operator.

Leaflet Revisions

Date Revised	Subject Matter Expert	Reason for Revision
August 31, 2022	Yunus Alam	New SPL
January 29, 2025	James Chmiel	Corrected reference from 24-KAA24392AAN to 24-KAA24392AAQ.

Related Drawings

Drawing No.	Title	Drawing No.	Title
WAA24354A	MOTOR	WAA389M	HANGER ASSEMBLY
WAA24360A	CONTROLLER	WAA661F	SWITCH ASSEMBLY
KAA24392AAN	COUPLER	WAA661E	SWITCH ASSEMBLY
WAA21600D	PRE-ASSEMBLED HARNESS	WAA509B	DETERRENT HOOK
WAA717A	BELT	WAA265C	PULLEY ASSEMBLY
WAA712G	WIRE ROPE ASSEMBLY		

Related Documents

Document ID	Title
24-KAA24392AAQ	Coupler Arrangement 2 Coupler and 1 Coupler Glide® P/E System
WAA24360A_SUR	Door Controller Manual
WAA24360A_FMI	Door Operator Wiring Diagram

Subject Matter Expert

Name	Department
James Chmiel	WHQ Mechanical Engineering

About Spare Parts Leaflets...

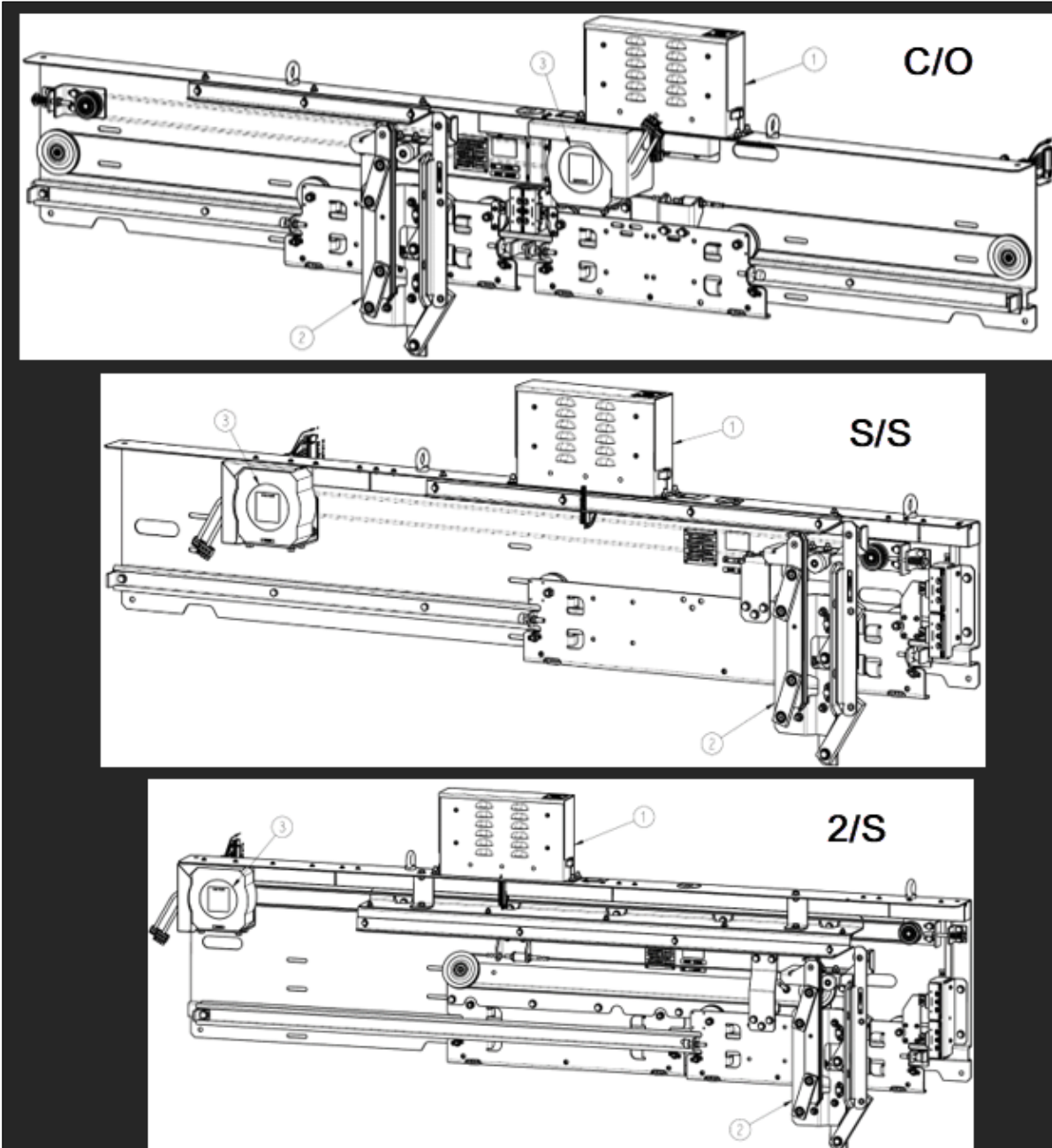
This document lists the lowest replaceable units (LRUs) for the standard version of the product. The LRUs are chosen by a team of Otis associates representing engineering and manufacturing.



While goal of this document is to make parts identification as easy as possible, the document cannot be all-inclusive. Elevator and escalator contracts classified as “special” or “custom” are not addressed here. For such contracts, please refer to specified information, the contract folder, TIPs, Field Education Articles, Construction Letters, etc. for further information.

If you have any suggestions about this document, please contact the subject matter expert listed on this page.

Motor, Controller, and Coupler CO, S/S, & 2/S (RH Shown)

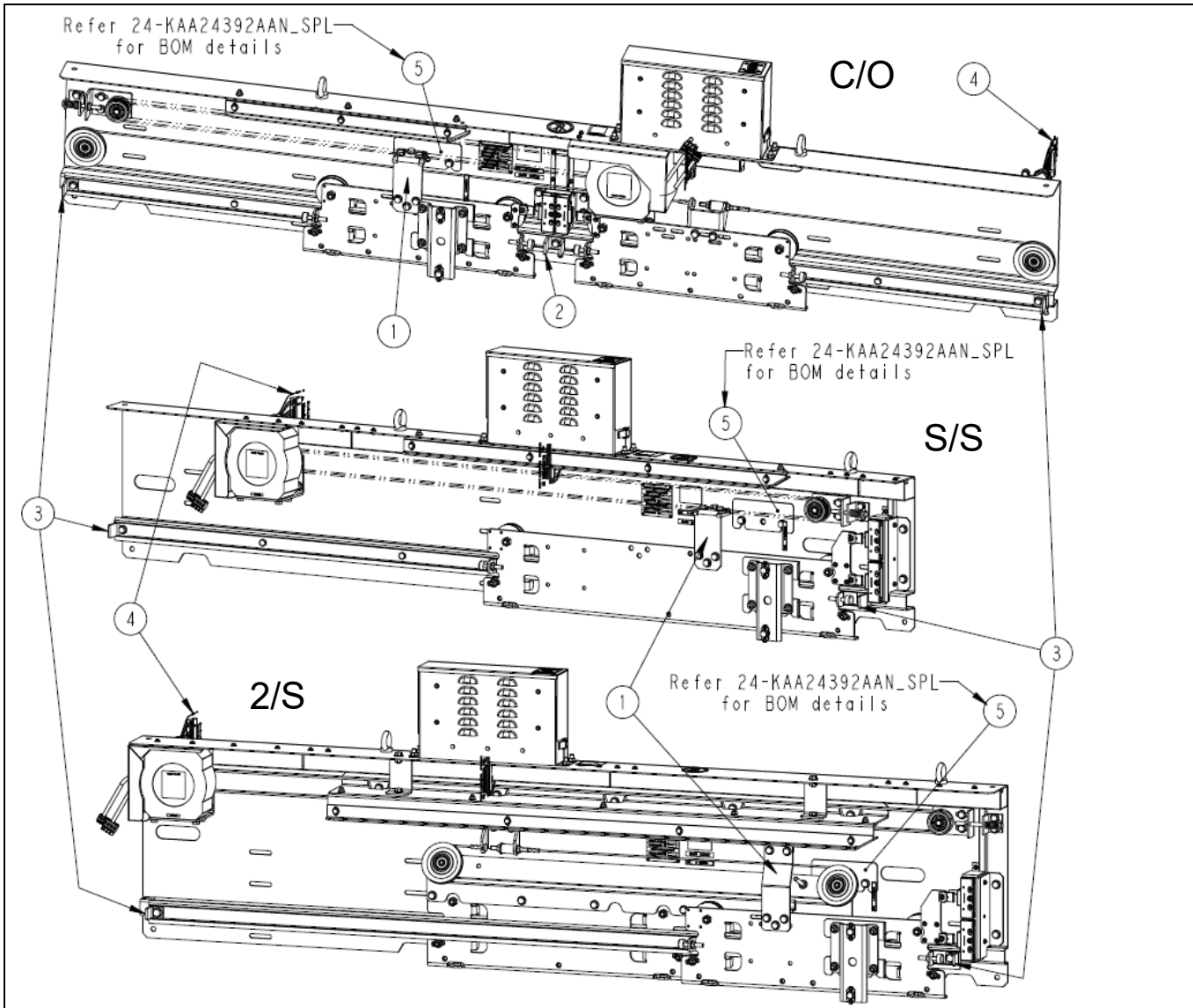
23-WAA24350A



WAA24350A			
REF. No.	PART No.	HAND	DESCRIPTION
1	WAA24360A1	--	Controller
2	--	Right 	Refer to SPL 24-KAA24392AAQ for part number.
	--	Left 	
3	WAA24354A1	--	Motor

Hitch, Limit Brackets, Pre-Assembled Harness & Shim

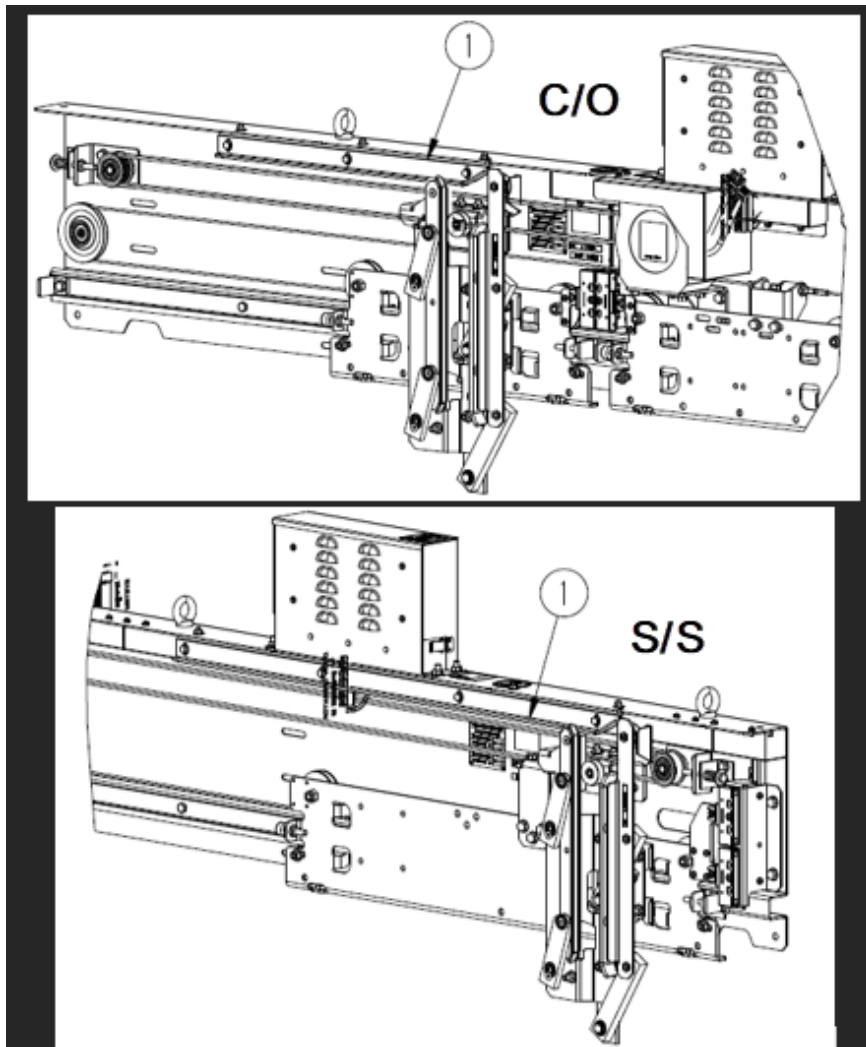
23-WAA24350A



WAA24350A			
REF. No.	PART No.	DESCRIPTION	DOOR TYPE
1	WAA392E1	Hitch Bracket	C/O & S/S
	WAA392E2		2/S
2	HAA283F1	Central Limit Bracket	C/O
3	HAA283H1	Limit Bracket	C/O & S/S
	HAA283D3		2/S
4	WAA21600D1	Pre-Assembled Harness	
5	WAA255AH*	Shim, Deterrent Hook	See SPL 24-KAA24392AAQ

Coupler Ramp C/O & S/S (RH Shown)

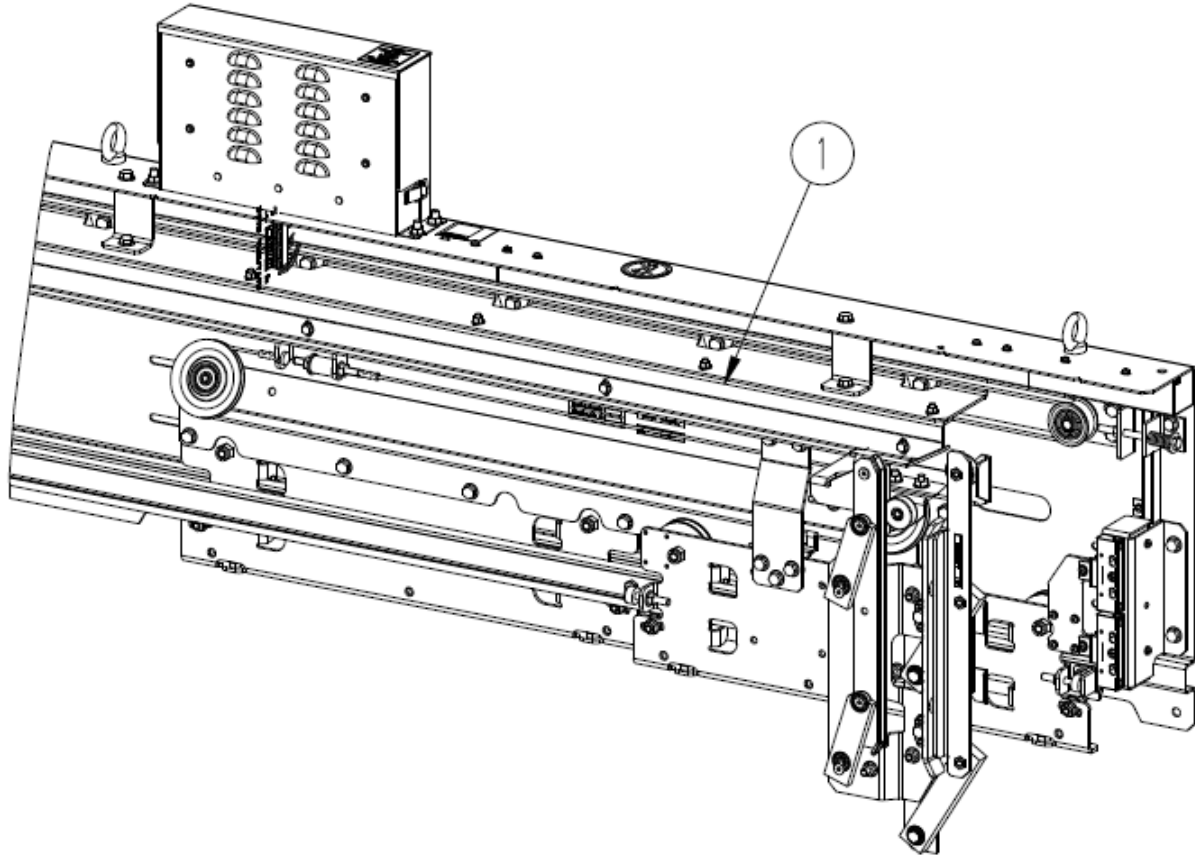
23-WAA24350A







WAA24350A		REF. No.	PART No.	OP	HAND	DESCRIPTION	DOOR TYPE	
1	WAA385A1	1067 (42")	Right	1219 (48")	Right	Coupler Ramp	C/O	
	WAA385A2		Left		Left			
	WAA385A3	914 (36")	Right	1067 (42")	Right			S/S
	WAA385A4		Left		Left			
	WAA385A5	1067 (42")	Right	1067 (42")	Right	S/S		
	WAA385A6		Left		Left			
	WAA385A7	1067 (42")	Right	1067 (42")	Right		S/S	
	WAA385A8		Left		Left			

Coupler Ramp 2/S (RH Shown)

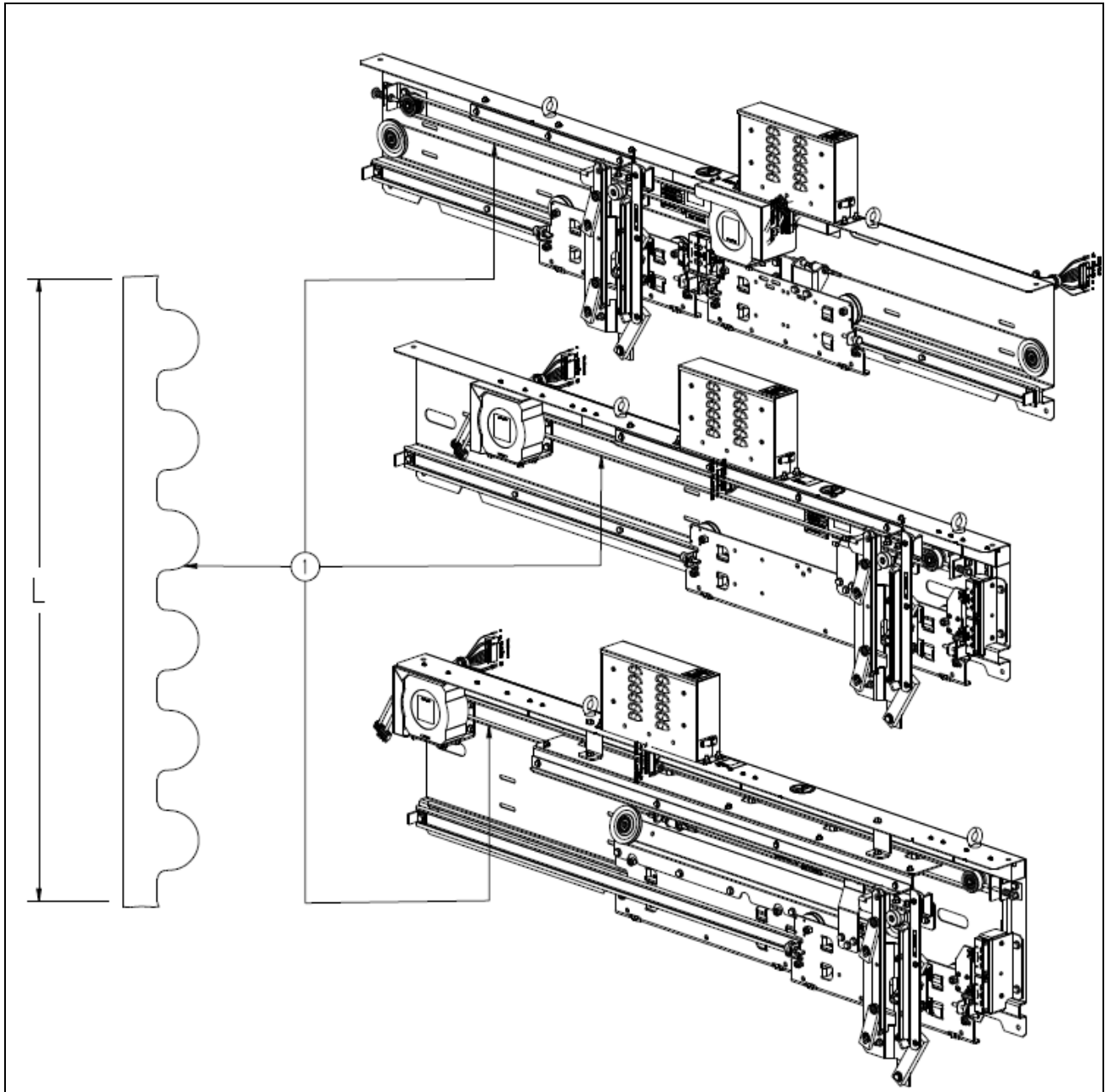
23-WAA24350A



WAA24350A				
REF. No.	PART No.	OP	HAND	DESCRIPTION
1	WAA385A9	1219 (48")	Right 	Coupler Ramp
	WAA385A10		Left 	
	WAA385A11	1372 (54")	Right 	
	WAA385A12		Left 	

Belt

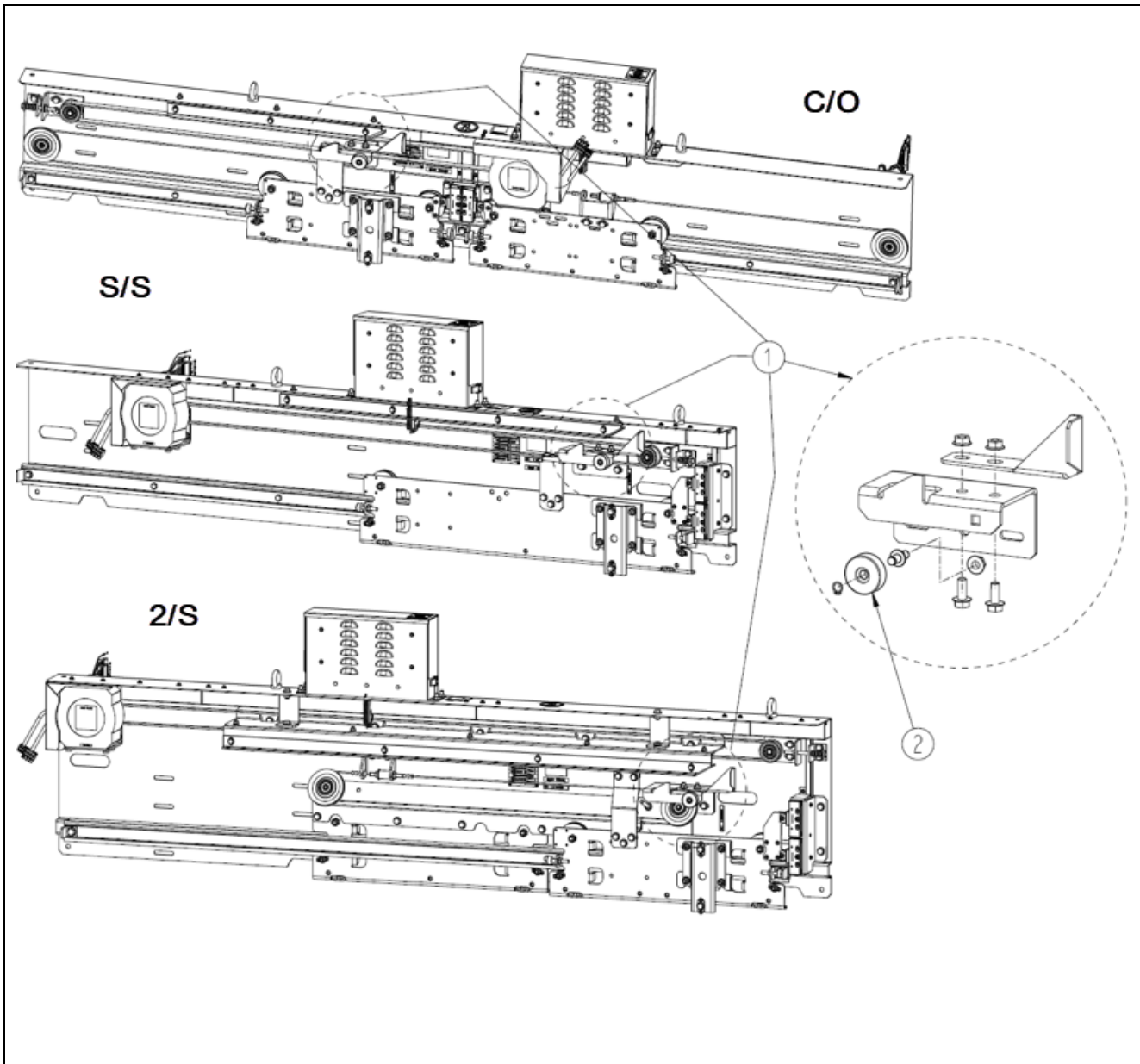
23-WAA24350A







		WAA24350A			
REF. No.	PART No.	OP	L (mm)	DESCRIPTION	DOOR TYPE
1	WAA717A1	1067 (42")	2380	Belt	C/O
	WAA717A2	1219 (48")	2685		S/S
	WAA717A3	914 (36")	2875		
	WAA717A4	1067 (42")	3465		2/S
	WAA717A5	1219 (48")	3570		
	WAA717A6	1372 (54")	4025		

Deterrent (RH Shown)

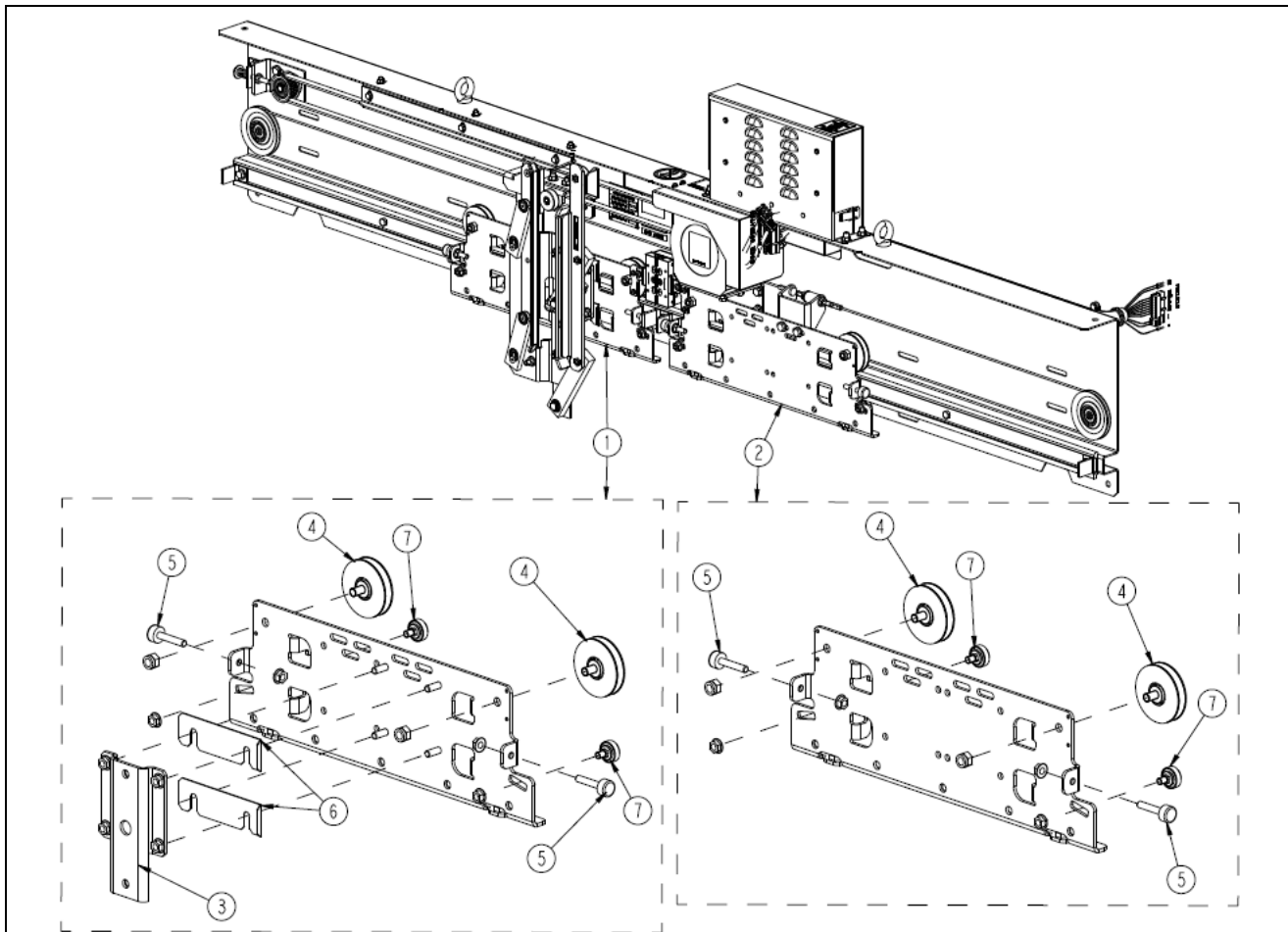
23-WAA24350A




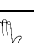


WAA24350A				
REF. No.	PART No.	HAND	DESCRIPTION	DOOR TYPE
1	WAA509B1	Right 	Hook Assembly	C/O & S/S
	WAA509B3	Left 		
	WAA509B2	Right 		2/S
	WAA509B4	Left 		
2	WAA456B1	--	Roller, Deterrent	ALL

Hanger & Components C/O (RH Shown)

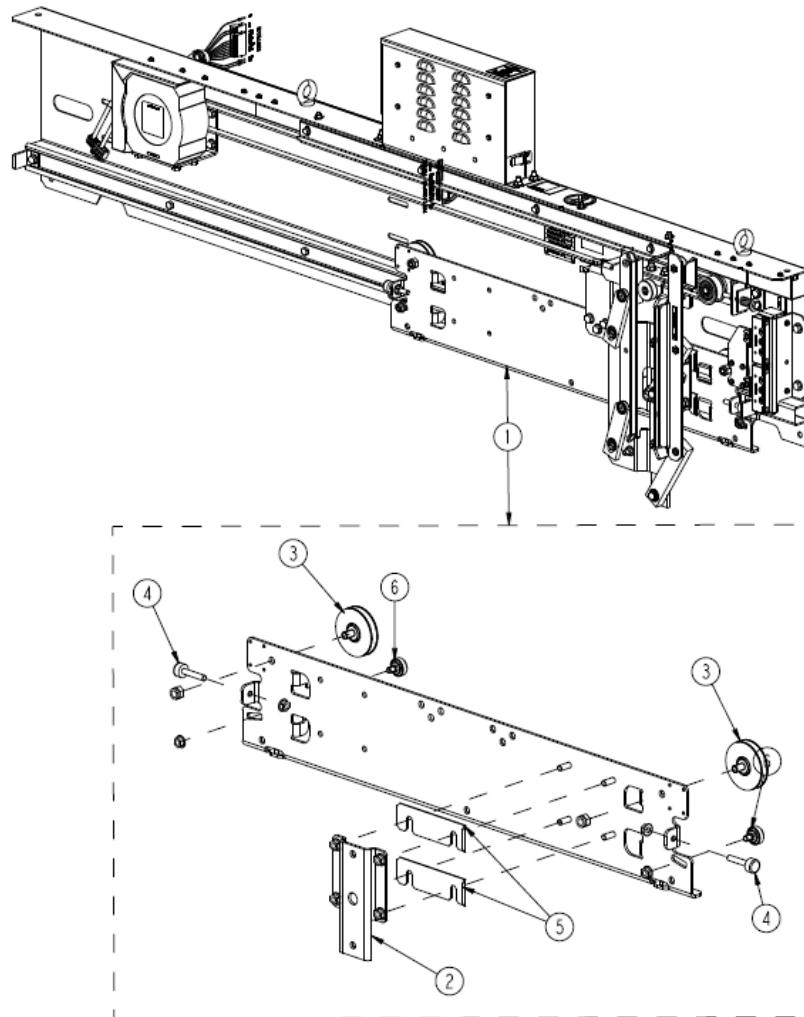
23-WAA24350A







WAA24350A				
REF. No.	PART No.	OP	DOORHND	DESCRIPTION
1	WAA389M1	1067 (42")	Right 	Hanger Assembly (Coupler Side)
	WAA389M2		Left 	
	WAA389M4	1219 (48")	Right 	
	WAA389M5		Left 	
2	WAA389M3	1067 (42")	--	Hanger Assembly (Non-Coupler side)
	WAA389M6	1219 (48")	--	
3	WAA316JP1	--	--	Coupler Standoff Bracket
4	HAA456A1	--	--	Door Roller
5	HAA477A1	--	--	Bumper
6	WAA255AH3	--	--	Shim
7	WAA456G1	--	--	Up-thrust Roller

Hanger & Components S/S (RH Shown)

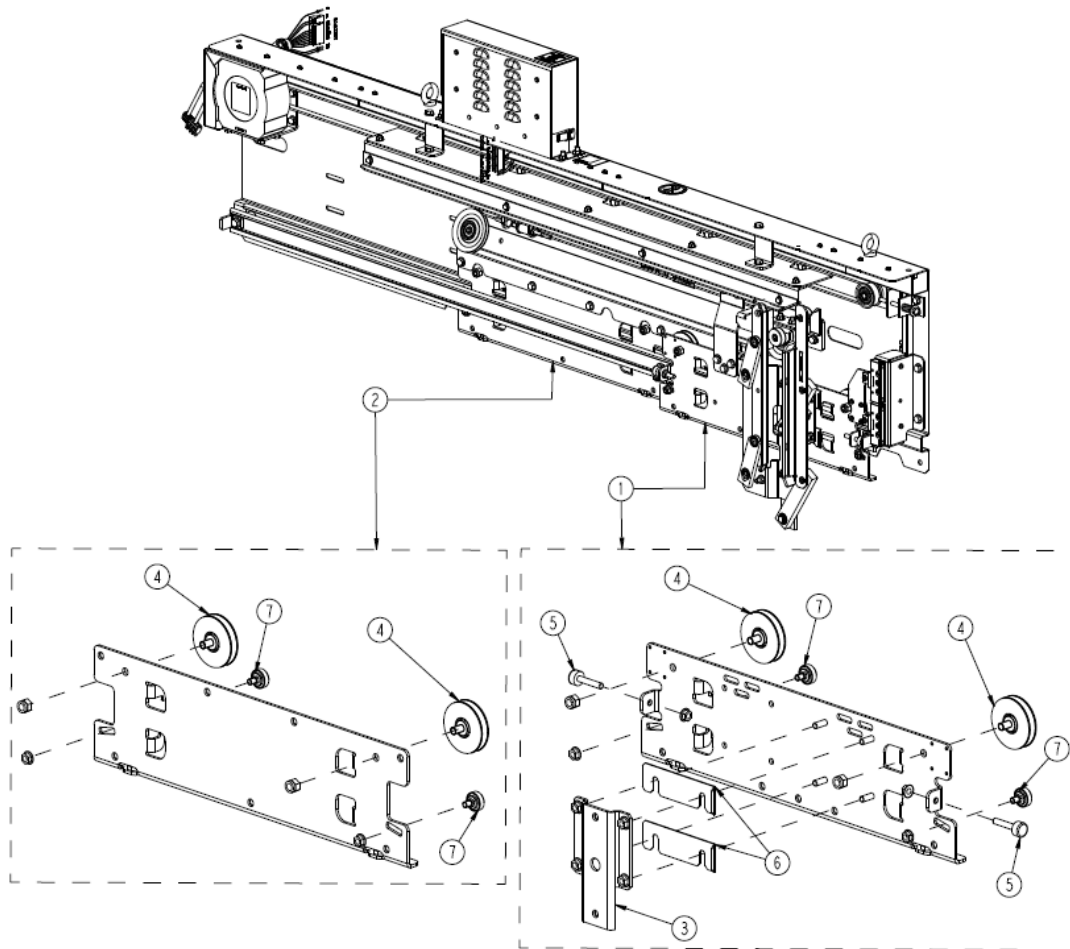
23-WAA24350A







WAA24350A				
REF. No.	PART No.	OP	DOORHND	DESCRIPTION
1	WAA389M7	914 (36")	Right 	Hanger Assembly
	WAA389M8		Left 	
	WAA389M9	1067 (42")	Right 	
	WAA389M10		Left 	
2	WAA316JP1	--	--	Coupler Standoff Bracket
3	HAA456A1	--	--	Door Roller
4	HAA477A1	--	--	Bumper
5	WAA255AH3	--	--	Shim
6	WAA456G1	--	--	Up-Thrust Roller

Hanger & Components 2/S (RH Shown)

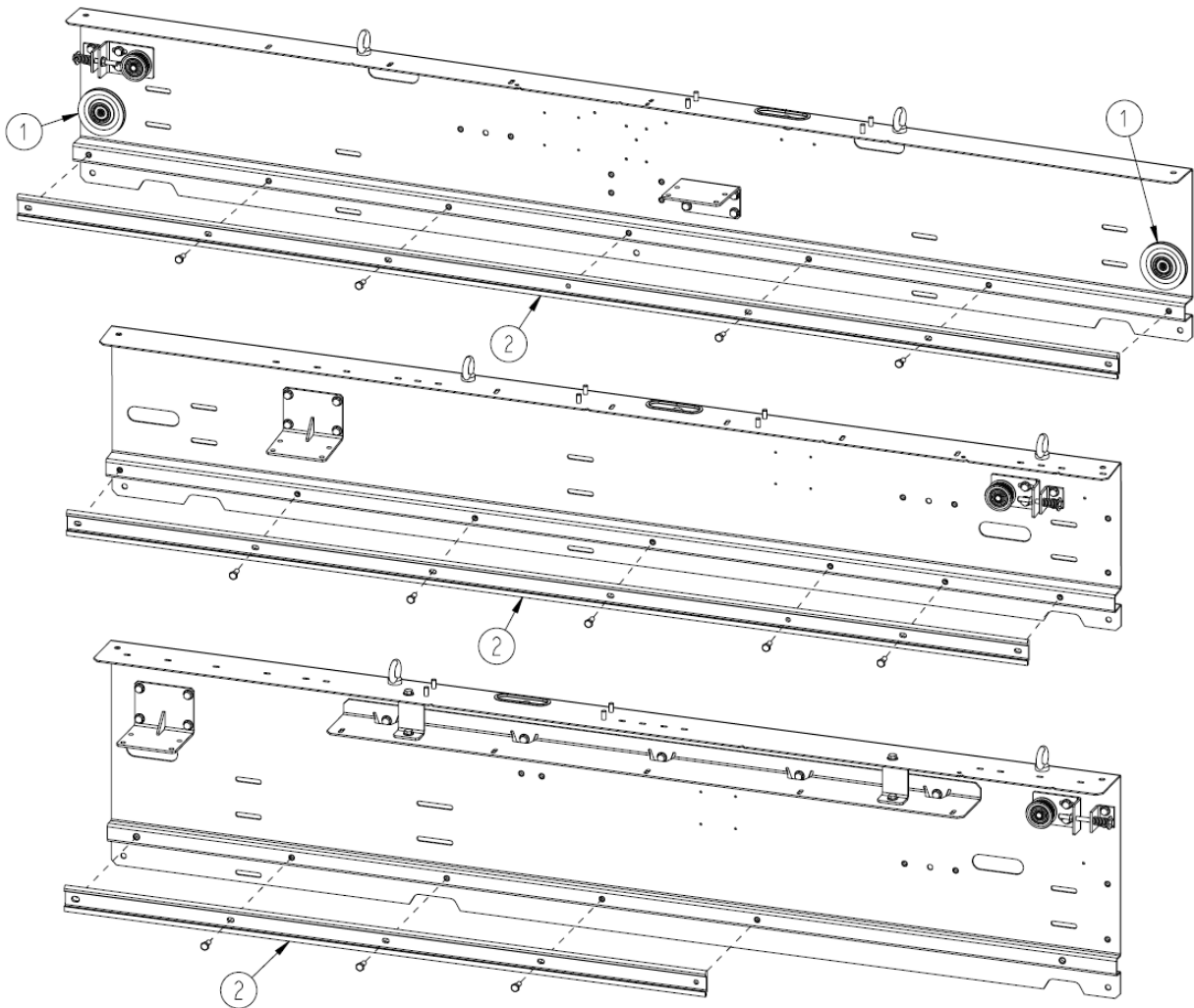
23-WAA24350A



WAA24350A				
REF. No.	PART No.	OP	DOORHND	DESCRIPTION
1	WAA389M11	1219 (48")	Right 	Fast Door Hanger Assembly
	WAA389M12		Left 	
	WAA389M14	1372 (54")	Right 	
	WAA389M15		Left 	
2	WAA389M13	1219 (48")	--	Slow Door Hanger Assembly
	WAA389M16	1372 (54")	--	
3	WAA316JP1	--	--	Coupler Standoff Bracket
4	HAA456A1	--	--	Door Roller
5	HAA477A1	--	--	Bumper
6	WAA255AH3	--	--	Shim
7	WAA456G1	--	--	Up-Thrust Roller

Header Components (RH Shown)

23-WAA24350A

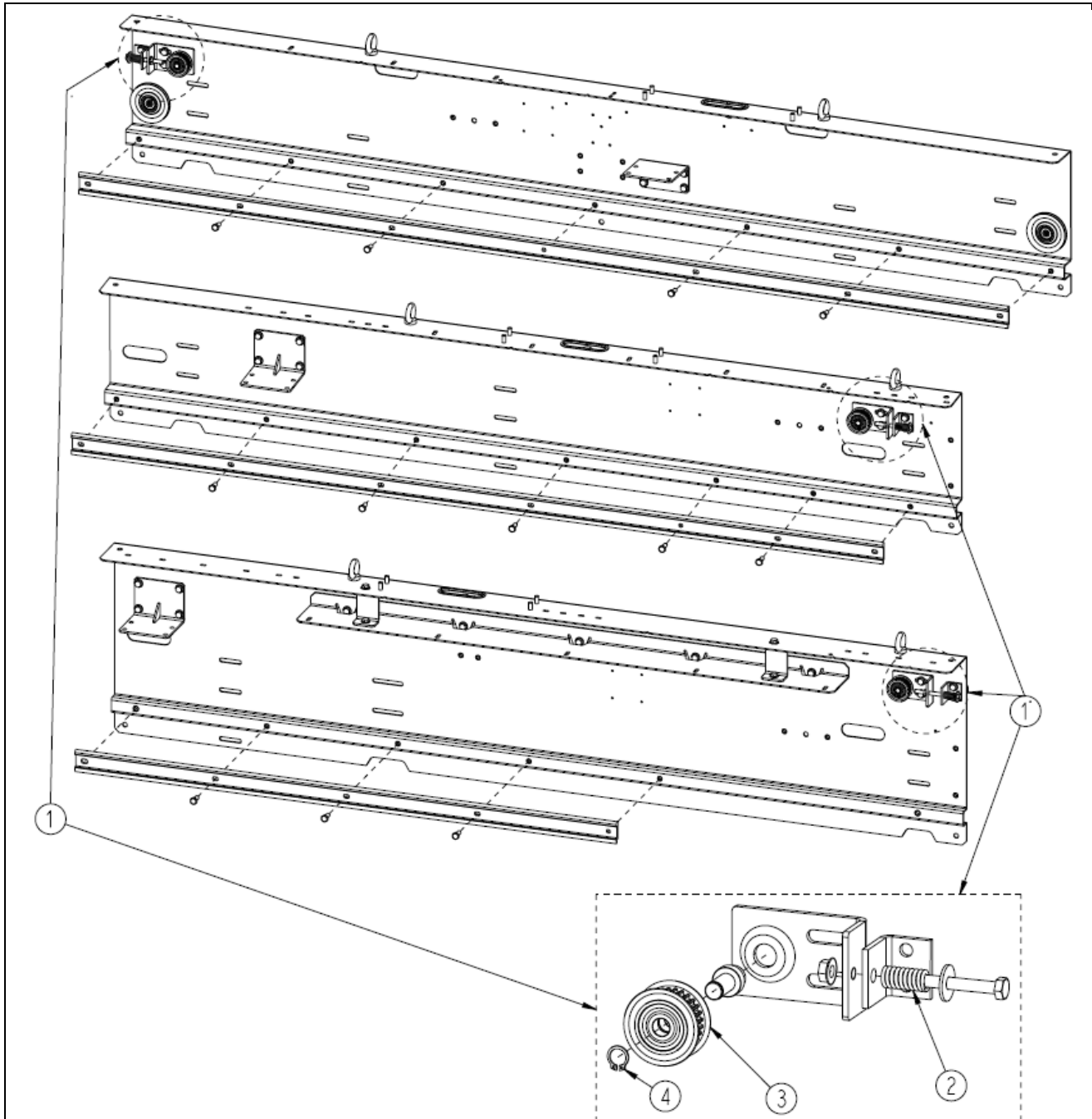


WAA24350A

REF. No.	PART No.	OP	HAND	DESCRIPTION	DOOR TYPE
1	WAA265A1	--	--	Relator Pulley	C/O
2	WAA483E1	1067 (42")	--	Track	
	WAA483E2	1219 (48")	--		
	WAA483E3	914 (36")	Right		
	WAA483E4		Left		
	WAA483E5	1067 (42")	Right		
	WAA483E6		Left		
	WAA483E11	1219 (48")	Right		
	WAA483E12		Left		
	WAA483E13	1372 (54")	Right		
	WAA483E14		Left		
					2/S

Belt Tensioner

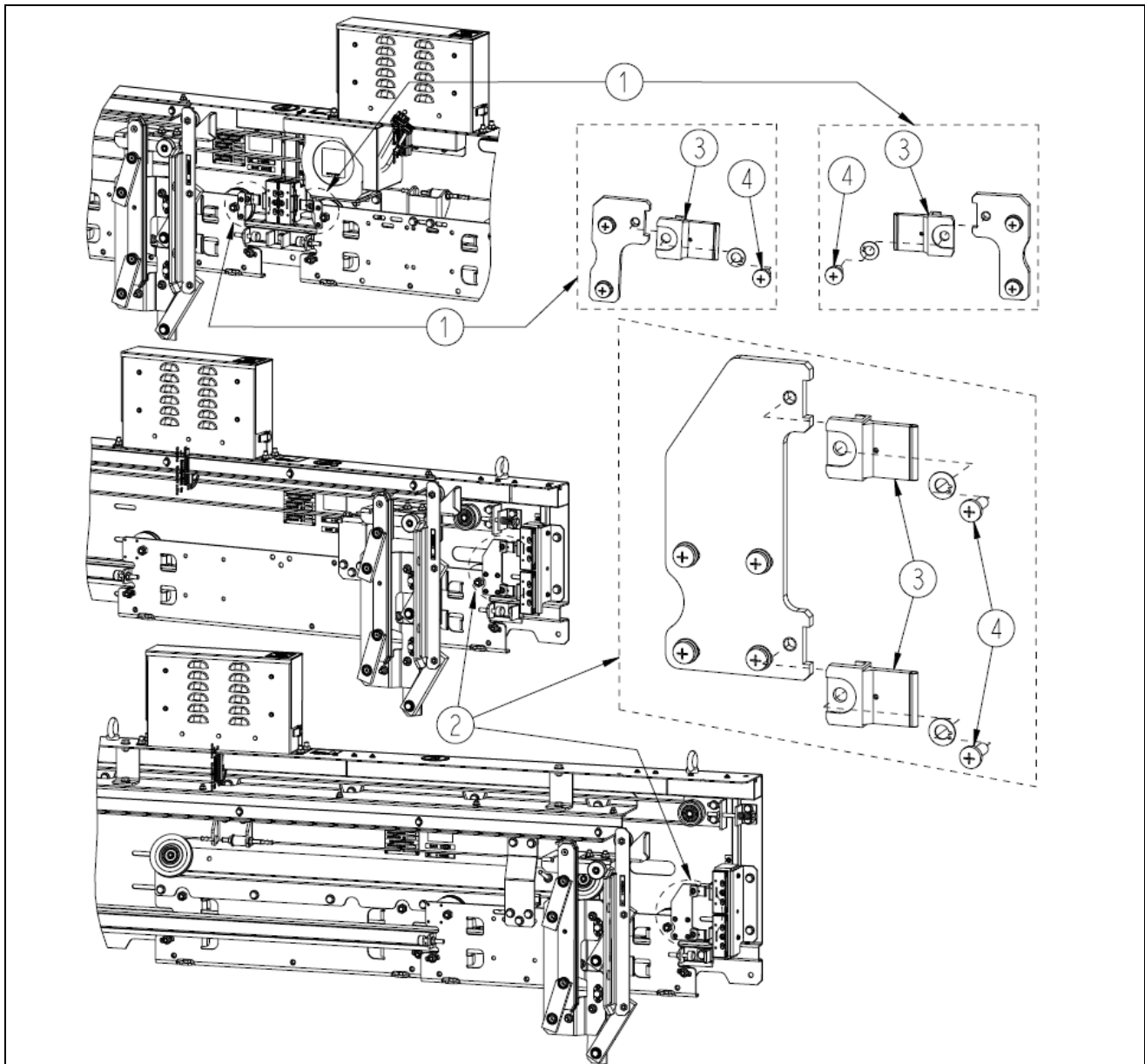
23-WAA24350A





WAA24350A			
REF. No.	PART No.	DESCRIPTION	DOOR TYPE
1	WAA198E1	Tension Device	C/O & S/S
	WAA198E2		2/S
2	HAA90E1	Spring	
3	HAA198H1	Tension Roller	
4	DIN471N/12-480HV-B	Retaining Ring	

Gate Switch Shorting Bar (RH Shown)

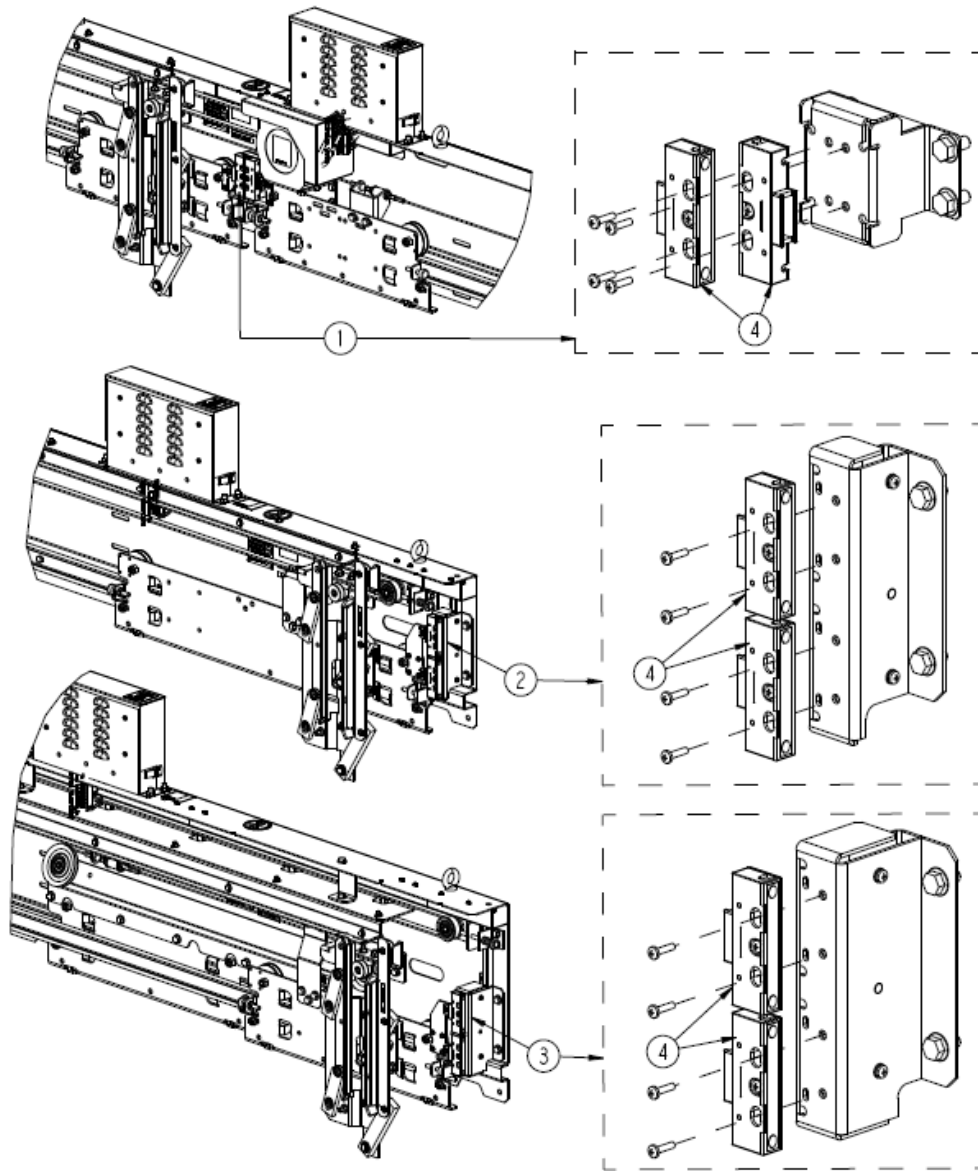
23-WAA24350A







WAA24350A				
REF. No.	PART No.	HAND	DESCRIPTION	DOOR TYPE
1	WAA661F2	--	Shorting Bar Assembly	C/O
	WAA661F3	--		
2	WAA661E5	Right 		S/S & 2/S
	WAA661E6	Left 		
3	KAA156AAA1	--	Contact	
4	---	--	Screw, Pan Head, M5x10	

Gate Switch (RH Shown)

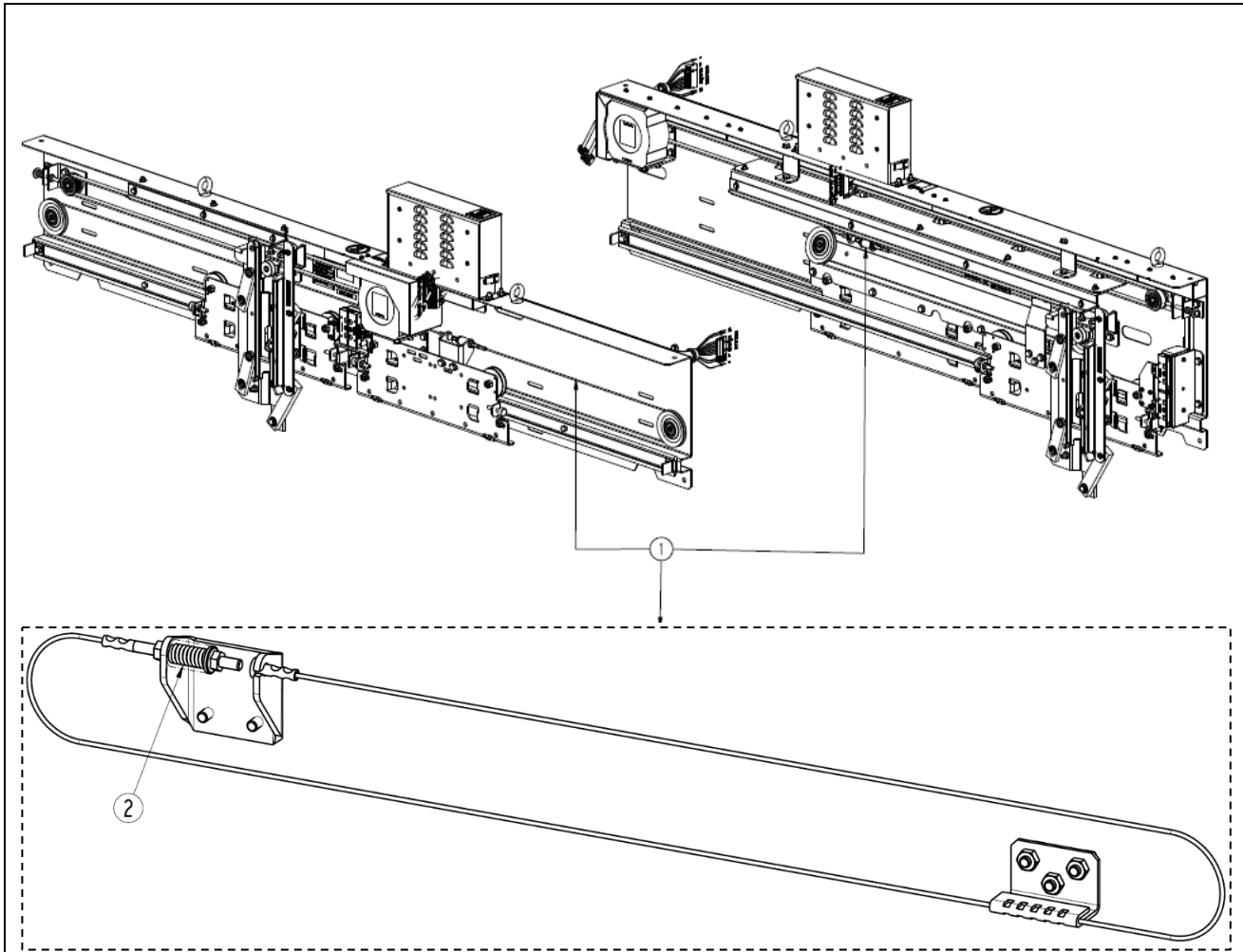
23-WAA24350A







WAA24350A				
REF. No.	PART No.	HAND	DESCRIPTION	DOOR TYPE
1	WAA661F1	--	Gate Switch Assembly	C/O
2	WAA661E1	Right 		S/S
	WAA661E2	Left 		
3	WAA661E3	Right 		2/S
	WAA661E4	Left 		
4	KAA661AAQ1	--		Switch

Relating Cable Assembly (RH Shown)

23-WAA24350A



WAA24350A						
REF. No.	PART No.	OP	HAND	DESCRIPTION	DOOR TYPE	
1	WAA712G1	1067 (42")	--	Relating Cable Assembly	C/O	
	WAA712G2	1219 (48")	--			
	WAA712G3	1219 (48")	Right 		2/S	
	WAA712G4		Left 			
	WAA712G5	1372 (54")	Right 			
	WAA712G6		Left 			
2	HAA90E1	--	--	Relator Spring		