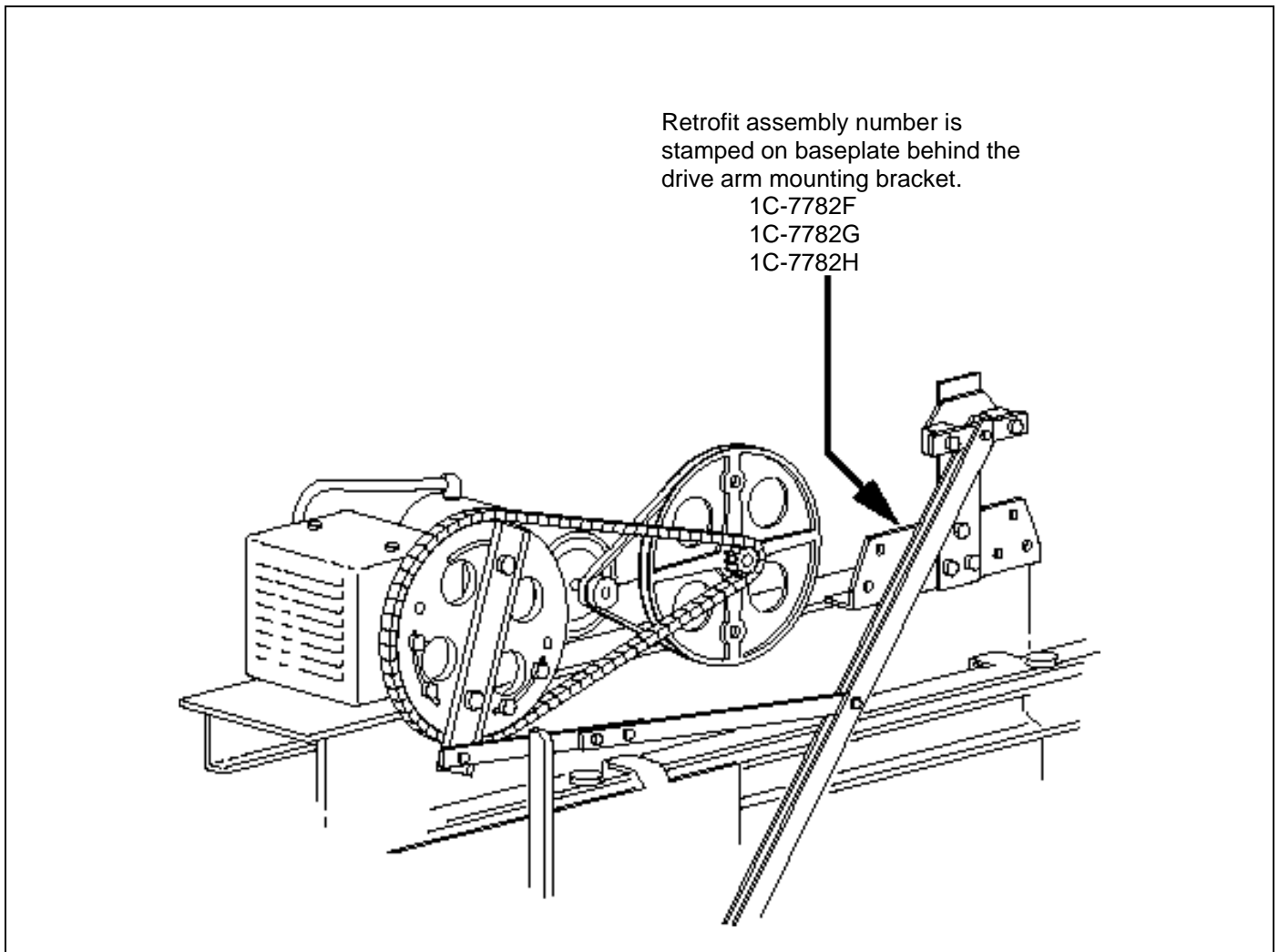


OBSOLESCENCE NOTICE

The product covered in this SPL has been designated as obsolete and is no longer supported. See TIP 32.2-1, *Obsolete Components*, for potential upgrade. Replacement lower level parts listed within and unique to this design are not being restocked when depleted. Some of these parts, depending on availability and other factors, may be quoted through Customer Service, but most will have extended lead times and increased cost due to low volume production.

July 1998

Page 1



SPL 23-1C-7782F - Retrofit Operator Type O, 7300A, 7660 to QL


Page 2 – History

History
23-1C-7782F
First Published: July 1998

Retrofit Operator Type O, 7300A, 7660, to QL
--

REVISED DATE	RESPONSIBLE ENGINEER	PRIMARY REASON FOR REVISION
July 1998	Blair Cohen	Correct part numbers on old p. 4.

Leaflet Description

This parts leaflet lists replacement parts for the linkages, door vane, and gate switch used in the 'QL' retrofit operator for types: 'O', '7300A', and '7600' operators. For the 'QL' operator engine replacement parts,  SPL 23-7782AA.

RELATED LEAFLET NUMBERS	TITLES
23-7782AA	Harmonic Drive "QL" Operator

DRAWING REFERENCES
None

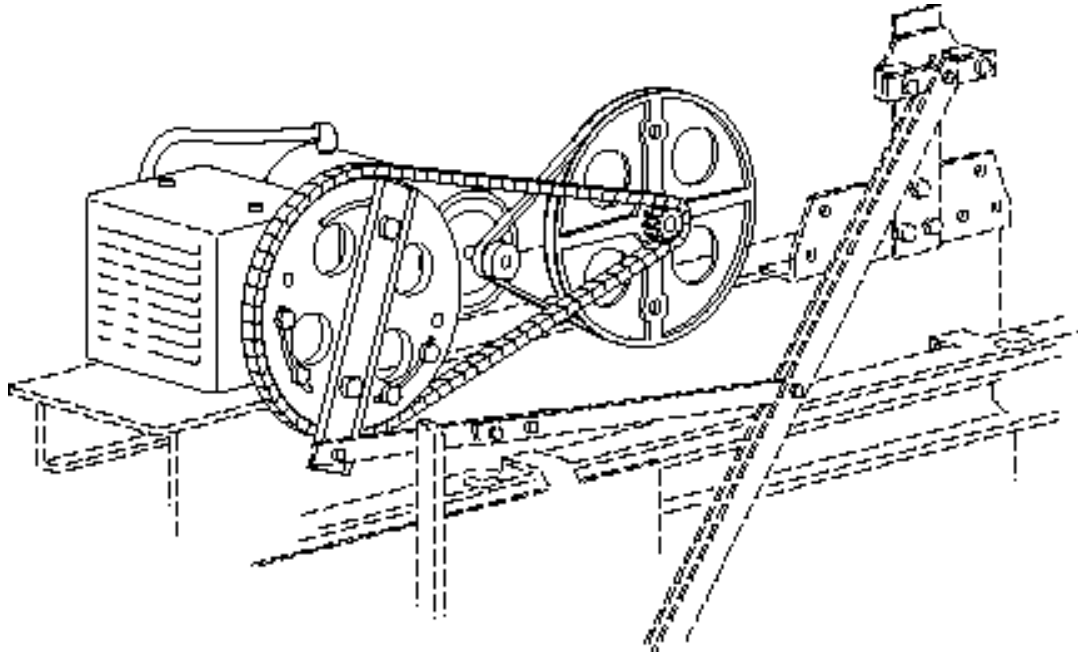
RELATED DOCUMENT NUMBERS	TITLES
None	

This Spare Parts Leaflet (SPL) is prepared to assist you in determining the Lowest Replaceable Units (LRU) supported by the Otis Service Center for the standard version of the product titled on the preceding page. The parts are chosen by Otis associates from: Engineering, Field Engineering, Service Engineering, and Manufacturing. We attempt to make part identification as easy as possible. The SPL, however, cannot be all inclusive. Elevator and escalator contracts classified as either "special" or "custom" are not addressed. Alternative sources of information such as: the Contract Folder, Technical Information Publications, Field Education Articles, Construction Letters, etc. may give the information you are after. You live in the real world of maintaining your elevator and escalator contracts. On a daily basis, situations arise regarding parts identification and at times, for some reason, the part you need is not in the SPL. If you think a standard part not listed should be let us know. We will respond.

Blair Cohen - Service Engineering

SPL 23-1C-7782F - Retrofit Operator Type O, 7300A, 7660 to QL

Page 3 - Retrofit QL Operator

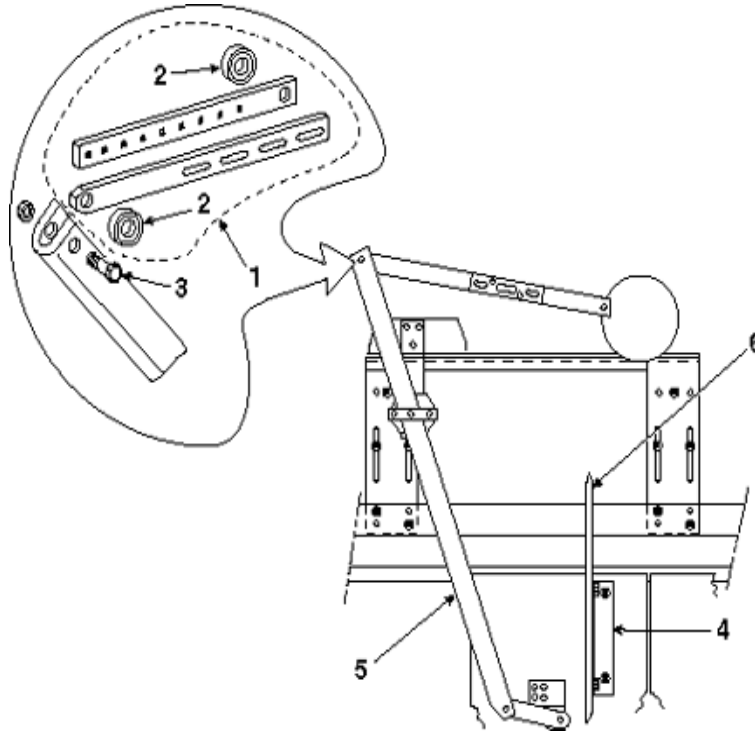


Retrofit Assemblies: QL Engine, Linkages, Mounts, and Hardware

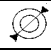
PART NO.	DESCRIPTION	DOOR TYPE	DOOR HAND
1C-7782F1	Assembly, Retrofit Operator: '7300A' to 'QL'	S/S, 2/S	☞
1C-7782F2		S/S, 2/S	☜
1C-7782F3		C/O	-
1C-7782G1	Assembly, Retrofit Operator: 'O' to 'QL'	S/S, 2/S	☞
1C-7782G2		S/S, 2/S	☜
1C-7782G3		C/O	-
1C-7782H1	Assembly, Retrofit Operator: '7660' to 'QL'	S/S, 2/S	☞
1C-7782H2		S/S, 2/S	☜
1C-7782H3		C/O	-

SPL 23-1C-7782F - Retrofit Operator Type O, 7300A, 7660 to QL

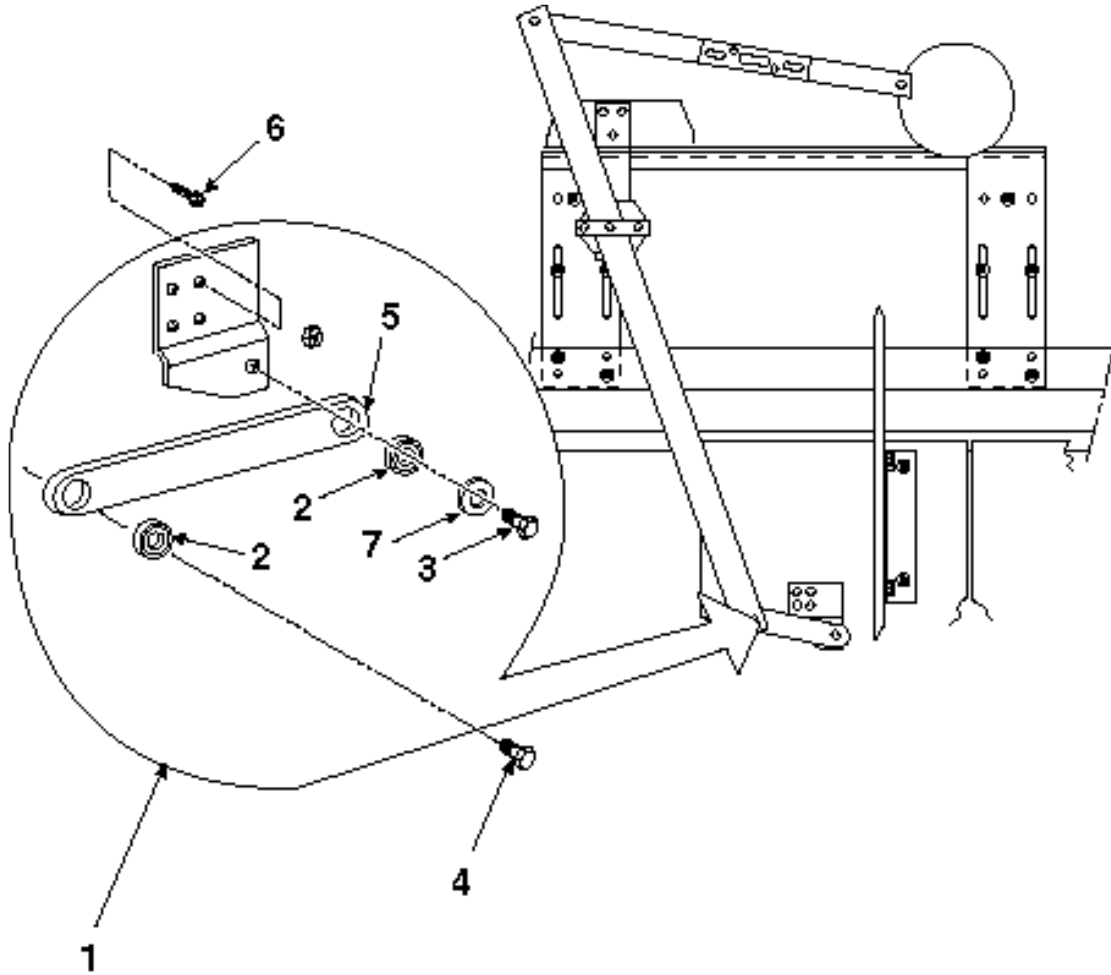
Page 4 - Retrofit QL Operator




Retrofit linkage mounting for type 7300A operator with center-opening doors shown. Linkage mounting for types O and 7660 operators is similar.

REF. NO.	W/O VINTAGE	DESCRIPTION	DOOR TYPE
	PART or ML		
1	395F1	Assembly, Transmission Arm	—
2	209AN3	Bearing, Double-Shielded, 0.875 in. 	—
3	58AP1	Bolt, Shoulder, 1.25 in. L, 3/8-16 Threads	—
4	283FP1	Bracket	—
5	1C-288TJ1	Drive Arm, 48.68 in. L	S/S, 2/S
	1C-288TJ2	Drive Arm, 52.18 in. L	C/O
	1C-288TJ3	Drive Arm, 51.68 in. L	S/S, 2/S
	1C-288TJ4	Drive Arm, 52.68 in. L	C/O
	1C-288TJ5	Drive Arm, 49.43 in. L	S/S, 2/S
	1C-288TJ6	Drive Arm, 47.18 in. L	C/O
6	327C8	Vane	—

Page 5 - Retrofit QL Operator

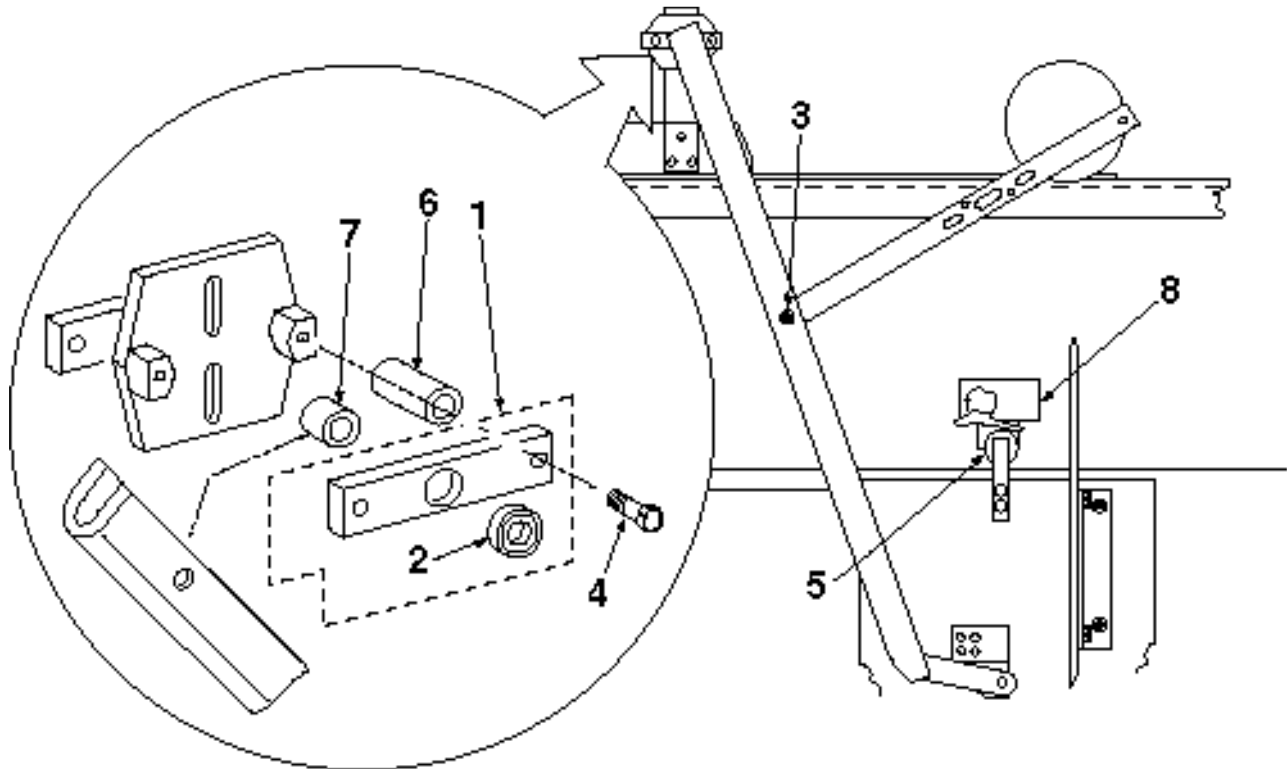


Retrofit linkage mounting for type 7300A operator with center-opening doors shown. Linkage mounting for types O and 7600 operators are similar.

REF. NO.	W/O VINTAGE		DOOR TYPE
	PART or ML	DESCRIPTION	
1	1C-7770AF1	Assembly, Link	C/O
	1C-7770AF2	Assembly, Link	S/S, 2/S
2	207R1 207R2	Bearing	—
3	59A1	Bolt, Shoulder, 3/4 x 0.875 in. L, 3/8-24 Threads	—
4	59A2	Bolt, Shoulder, 3/4 x 1-1/16 in. L, 3/8-24 Threads	—
5	1C-430EJ1	Link	C/O
	1C-430EJ2	Link	S/S, 2/S
6	109P2	Screw, Thread Forming, 1.0 in. L, 1/4-20 Threads	—
7	127VB52	Washer, Special, 1.25 in. 	—

SPL 23-1C-7782F - Retrofit Operator Type O, 7300A, 7660 to QL

Page 6 - Retrofit QL Operator



Retrofit linkage mounting for type 7300, O, and 7660 operator. Type O operator with single-side door shown; 7660 and 7300 operator similar.

REF. NO.	W/O VINTAGE	DESCRIPTION	DOOR TYPE
	PART or ML		
1	299AKG2	Assembly, Bar	C/O, S/S, 2/S
2	209AN4 209AN3	Bearing, Double Shielded, 0.875 in.	-
3	58AP1	Bolt, Shoulder, 1.25 in. L, 3/8-16 Threads	S/S, 2/S
4	58AP1	Bolt, Shoulder, 1.25 in. L, 3/8-16 Threads	S/S, 2/S
	58AP2	Bolt, Shoulder, 2.0 in. L, 3/8-16 Threads	C/O
5	288RH8	Roller Arm	-
6	462HA113	Spacer, 1.0 in.	-
7	462HA114	Spacer, 0.5 in.	-
8	6098E5	Switch, Gate,	-
	6098E6	Switch, Gate,	-