

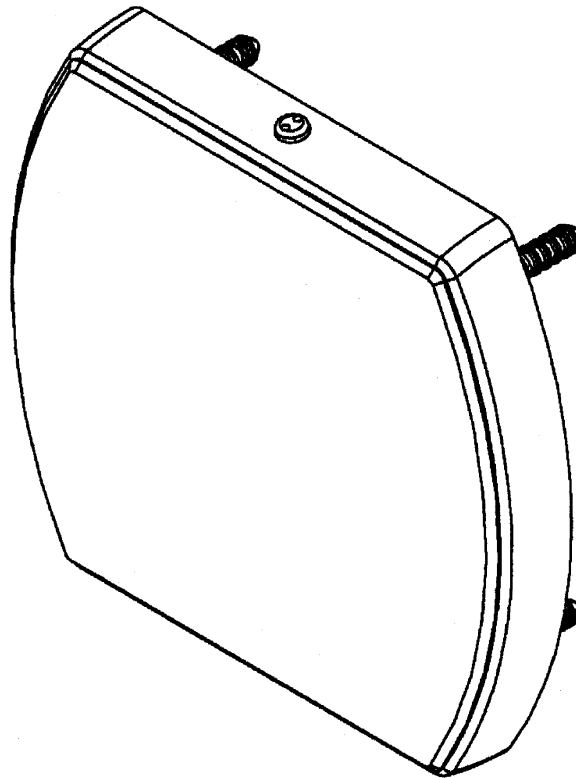
**Landing Fixture  
Hall Position Assembly  
Flat Display**

**Spare Parts Leaflet  
22-AAA23600X  
June 19, 2024 / Page 1 of 4**

# OBSOLESCENCE NOTICE

The product listed in this SPL is obsolete. Some components may still be available, but Otis recommends an upgrade (see TIP 32.2-1 for potential upgrade).

22 R-AAA23600X



**OTIS**

This document does not contain any technical data subject to EAR or ITAR

**SERVICE ENGINEERING  
Otis Elevator Company  
Bloomfield, Connecticut USA**

Unpublished Work—© Otis Elevator Co.; 2024

# History

**22-AAA23600X**

## Leaflet Description

This leaflet provides spare parts information for type AAA23600X hall position assembly flat display landing fixture.

## Leaflet Revisions

Date Revised	Subject Matter Expert	Reason for Revision
August 25, 2003	Dennis Rehmer	New Leaflet
December 23, 2004	Lisa Mitchell	Updated parts list on page 3.
July 15, 2005	Joseph D. Zych	Updated parts list on page 3; Added page 4
December 7, 2011	Joseph D. Zych	Added hardware information in references 2 & 6 on p. 3 and OPTO device information on p. 4 (new refs. 3 and 4)
March 4, 2020	Joseph D. Zych	Updated information for AAA629AS111 and 112 on p. 4
June 19, 2024	Juan Murillo	Series 5 fixtures now obsolete.

## Related Drawings

Drawing No.	Title	Drawing No.	Title
AAA23600X	Landing Fixture Hall Position Assembly Flat Display		

## Related Documents

Document ID	Title
---	---

## Subject Matter Expert

Name	Department
Juan Murillo	OSC Service Engineering

## About Spare Parts Leaflets...

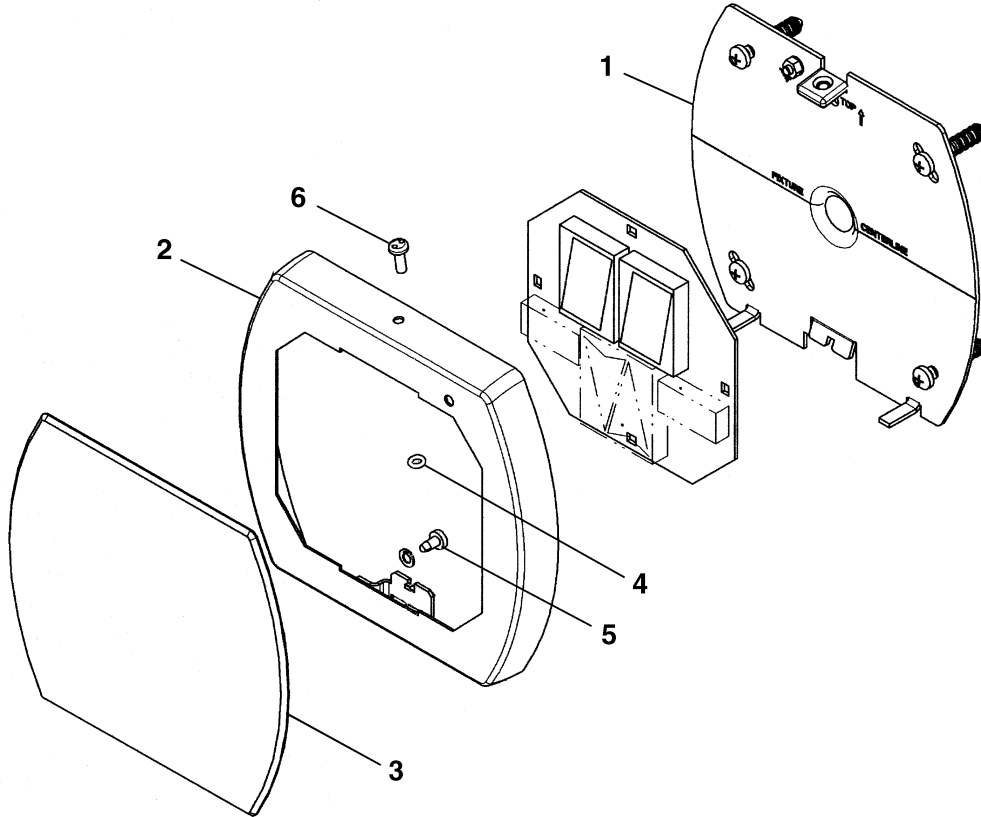
This document lists the lowest replaceable units (LRUs) for the standard version of the product. The LRUs are chosen by a team of Otis associates representing engineering and manufacturing.

While goal of this document is to make parts identification as easy as possible, the document cannot be all-inclusive. Elevator and escalator contracts classified as "special" or "custom" are not addressed here. For such contracts, please refer to specified information, the contract folder, TIPs, Field Education Articles, Construction Letters, etc. for further information.

If you have any suggestions about this document, please contact the subject matter expert listed on this page.

# Landing Fixture Components

**22-AAA23600X**

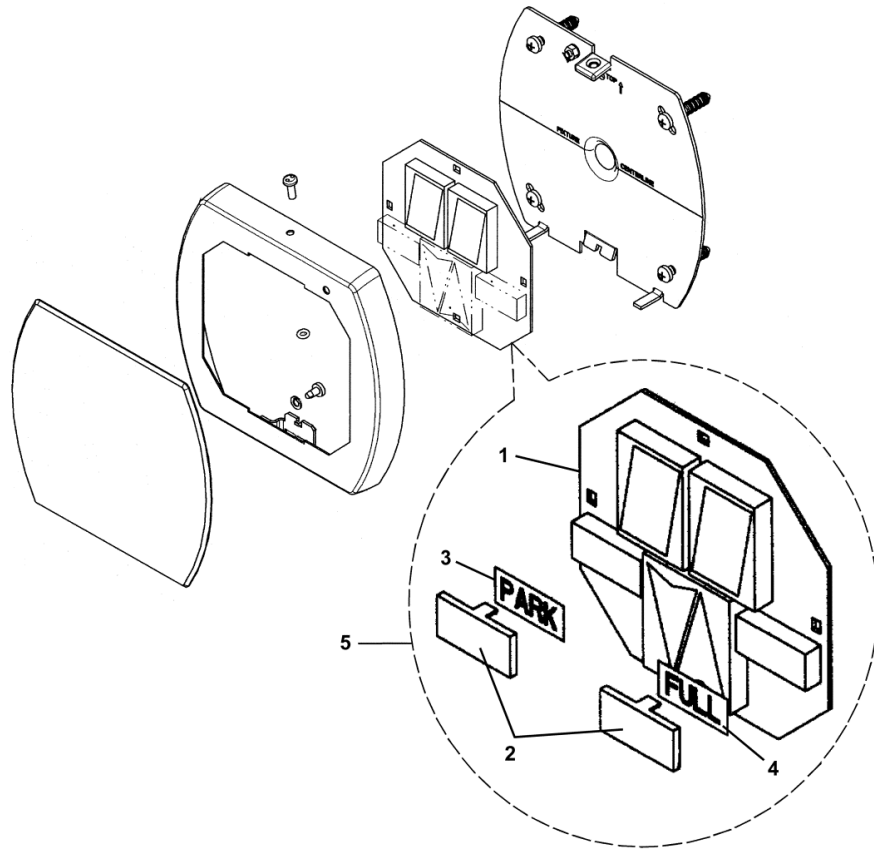


<b>AAA23600X</b>			
<b>REF. No.</b>	<b>PART No.</b>	<b>DESCRIPTION</b>	
1	AAA308WR2	Box	Non-NSAA Applications
	AAA308WR4 AAA308WR7		NSAA Applications
*	AAA175ABY1	Conductor	
2	AAA374YU998-SSB/FS4	Frame	Brushed Stainless/ Ferretic Steel
	AAA374YU998-SSM		Mirror Stainless
	AAA374YU998-GOLDB		Brushed Brass
	AAA374YU998-GOLDM		Mirror Brass
3	AAA443EP1	Lens	
4	AAA172TY1	Ring	
5	---	Screw, M4 x 8, Zinc Plated (DIN7500CM4X8-Z-Z)	
6	AAA124HE1	Screw, Tamper Resistant Pan Head, M4	FS4 (ferretic steel)
	AAA124HE2		SSB (brushed stainless)
	AAA124HE3		GOLDB (brushed brass)
	AAA124HE4		SSM (mirror stainless)
	FAA124AY1	Screw, Tamperproof, M4, for Non-NSAA Applications	GOLDM (mirror brass)
	FAA124AY2		Stainless
			Gold

\* Part not shown.

# Landing Fixture Components

**22-AAA23600X**



<b>AAA23600X</b>			
<b>REF. No.</b>	<b>PART No.</b>	<b>DESCRIPTION</b>	
1	AAA26800AGP1	Board, Electronic Printed Circuit	<b>Includes:</b> Direction Arrows, Landing Passing Tone, Position Indicators, and Jewels
	AAA26800AGP2		<b>Includes:</b> Landing Passing Tone, Position Indicators, and Jewels
	AAA26800AGP3		<b>Includes:</b> Position Indicators
	ABA26800AKM1	Board, Discrete Printed Circuit	<b>Includes:</b> Landing Passing Tone, Position Indicators, and Jewels
	AAA26800AKM2 ABA26800AKM2		<b>Includes:</b> Position Indicators
2	AAA629AS100	Cover, OPTO Device	
3	AAA629AS105	Device, OPTO, Mask Marking: PARK	
	AAA629AS111	Device, OPTO, Mask Marking: FIRE HAT (not shown)	
	AAA629AS112	Device, OPTO, Mask Marking: PLEASE EXIT (not shown)	
4	AAA629AS104	Device, OPTO, Mask Marking: FULL	
	AAA629AS113	Device, OPTO, Mask Marking: OVERLOAD (not shown)	
5	AAA23600X500	PCB, RSL p/n AAA26800AGP1, with "Fire Hat" and "Please Exit" Symbol Masks and a Cover, English	
	AAA23600X501	PCB, Discrete p/n AAA26800AKM2, with "Fire Hat" and "Please Exit" Symbol Masks and a Cover, French	
	AAA23600X502	PCB, RSL p/n AAA26800AGP2, with "Fire Hat" and "Please Exit" Symbol Masks and a Cover, English	
	AAA23600X503	PCB, Discrete p/n ABA26800AKM1, with "Fire Hat" and "Please Exit" Symbol Masks and a Cover, French	