

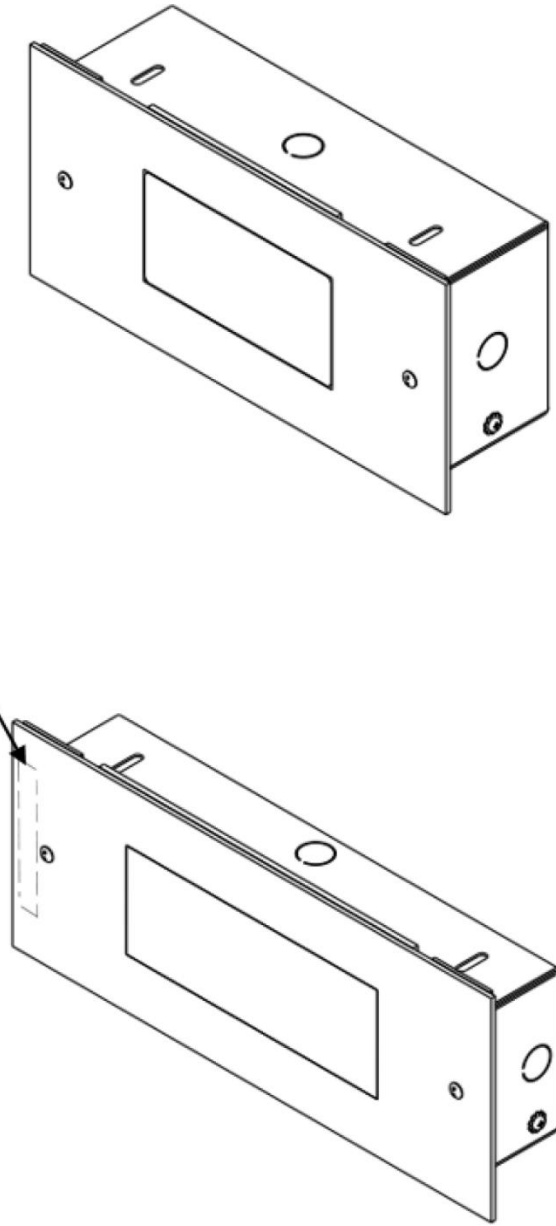
Hall Position & Direction Indicator Assembly

Spare Parts Leaflet

22-AAA23600AR

November 30, 2022 / Page 1 of 6

22	AAA23600AR
-----------	-------------------



OTIS

This document does not contain any technical data subject to EAR or ITAR

SERVICE ENGINEERING
Otis Elevator Company
Bloomfield, Connecticut USA

Unpublished Work—© Otis Elevator Co.; 2022

Leaflet Description

This leaflet provides information for AAA23600AR Flush Mounted Horizontal 2- & 3-digits Hall Position and Direction Indicator with selectable colors (RED, GREEN, BLUE, & WHITE).

Leaflet Revisions

Date Revised	Subject Matter Expert	Reason for Revision
November 30, 2022	Vadzim Fedarenka	New SPL

Related Drawings

Drawing No.	Title	Drawing No.	Title
AAA23600AR	Hall Position Indicator		
AAA147ABG	Faceplate		

Related Documents

Document ID	Title
---	---

Subject Matter Expert

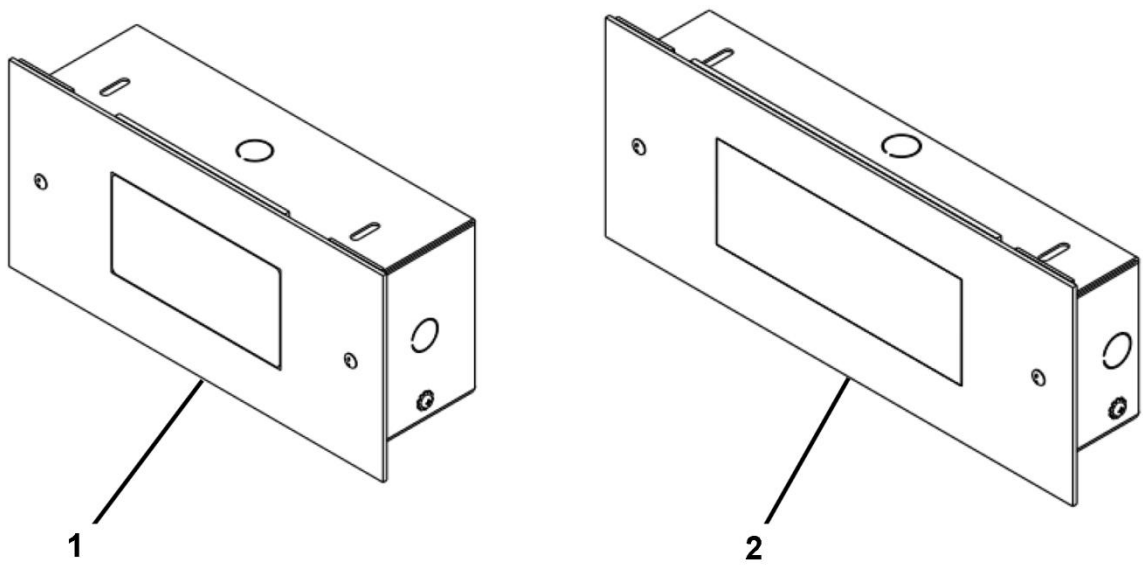
Name	Department
Vadzim Fedarenka	OSC Service Engineering

About Spare Parts Leaflets...

This document lists the lowest replaceable units (LRUs) for the standard version of the product. The LRUs are chosen by a team of Otis associates representing engineering and manufacturing.

While goal of this document is to make parts identification as easy as possible, the document cannot be all-inclusive. Elevator and escalator contracts classified as “special” or “custom” are not addressed here. For such contracts, please refer to specified information, the contract folder, TIPS, Field Education Articles, Construction Letters, etc. for further information.

If you have any suggestions about this document, please contact the subject matter expert listed on this page.



AAA23600AR ordering process:

When ordering, complete the part number with:



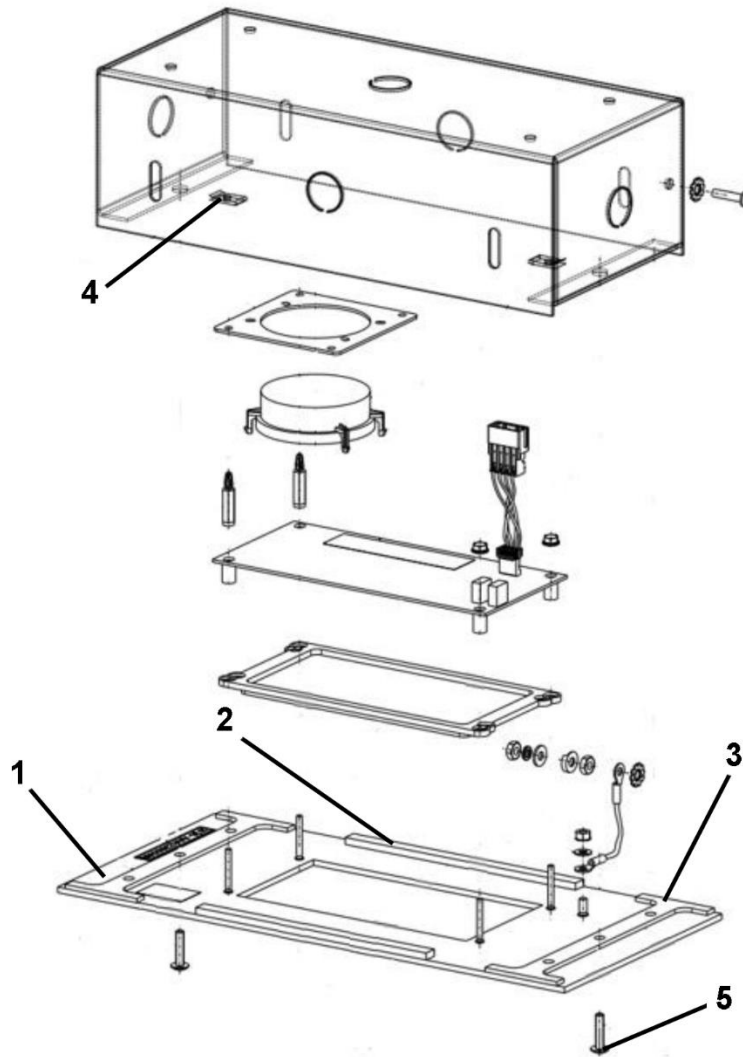
Example: AAA23600AR2-BR7-BLUE is Hall Lantern with 3-digit Position Indicator, Brushed Brass finish, BLUE color illumination.

AAA23600AR		
REF. No.	PART No.	DESCRIPTION
1	AAA23600AR1-__-__	Hall Lantern w/ 2-Digit PI, Horizontal, Flush Mounted
2	AAA23600AR2-__-__	Hall Lantern w/ 3-Digit PI, Horizontal, Flush Mounted

* The available four finishes are: FS4 (brushed stainless, covers MF4 & SS4), SS8 (mirror stainless), BR7 (brushed brass), and BR8 (mirror brass).

** RED, GREN, BLUE, & WHITE are available illumination colors.

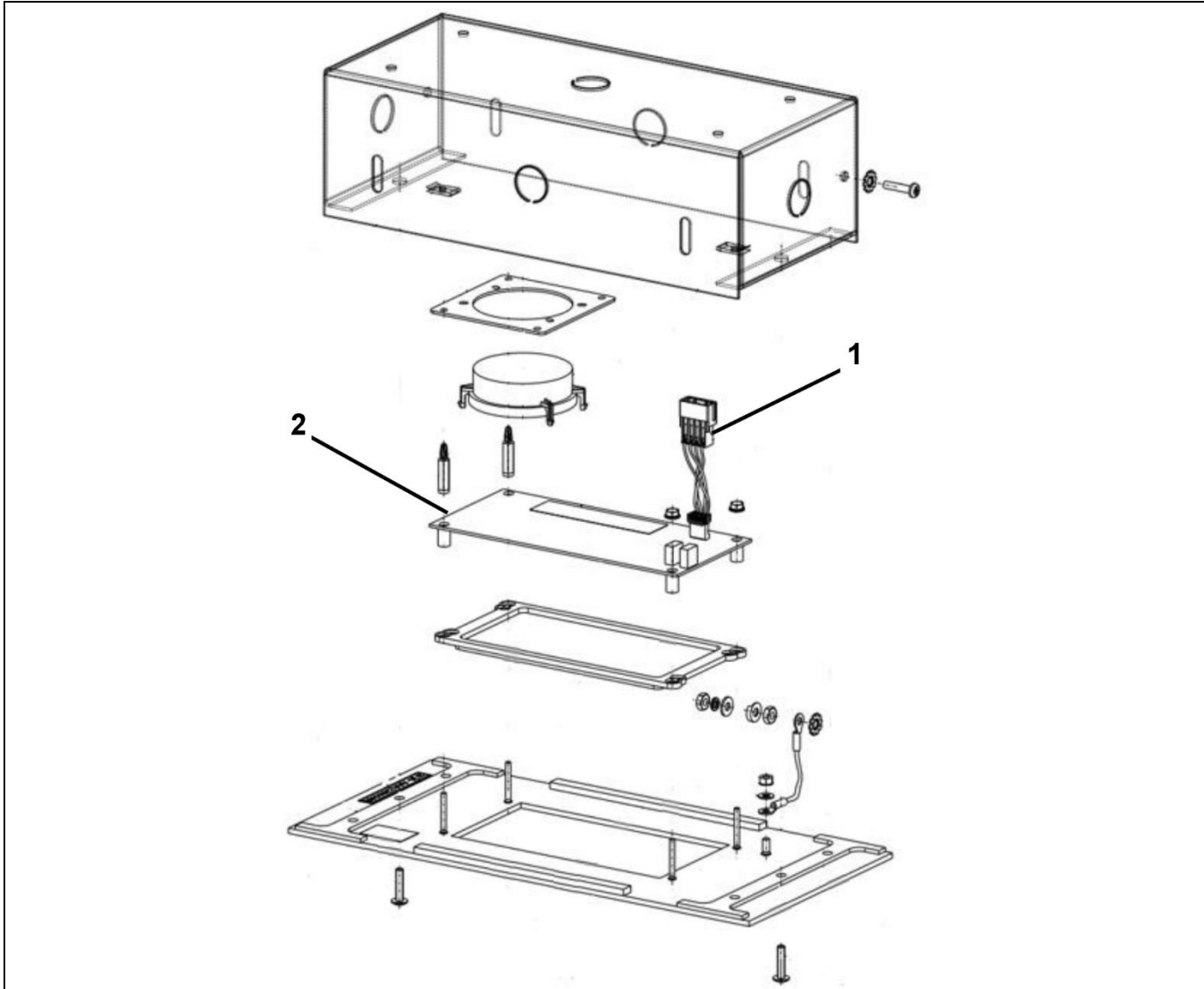
**AAA23600AR Hall Fixture Assembly
Faceplates and Related Parts**



AAA23600AR		
REF. No.	PART No.	DESCRIPTION
1	AAA147ABG3-__ *	Faceplate, 2-digit PI (for 2-digit PI)
	AAA147ABG4-__ *	Faceplate, 3-digit PI (for 3-digit PI) (not shown)
2	AAA376HL13	Gasket, Dust (for 2-digit PI)
	AAA376HL11	Gasket, Dust (for 3-digit PI) (not shown)
3	AAA376HL12	Gasket, Dust (same for 2- and 3-digit PI)
4	72BX7	Nut, Speed
5	AAA124GT1	Screw, Vandal Proof (for FS4 & SS8 Faceplate Finishes)
	AAA124GT2	Screw, Vandal Proof (for BR7 & BR8 Faceplate Finishes)

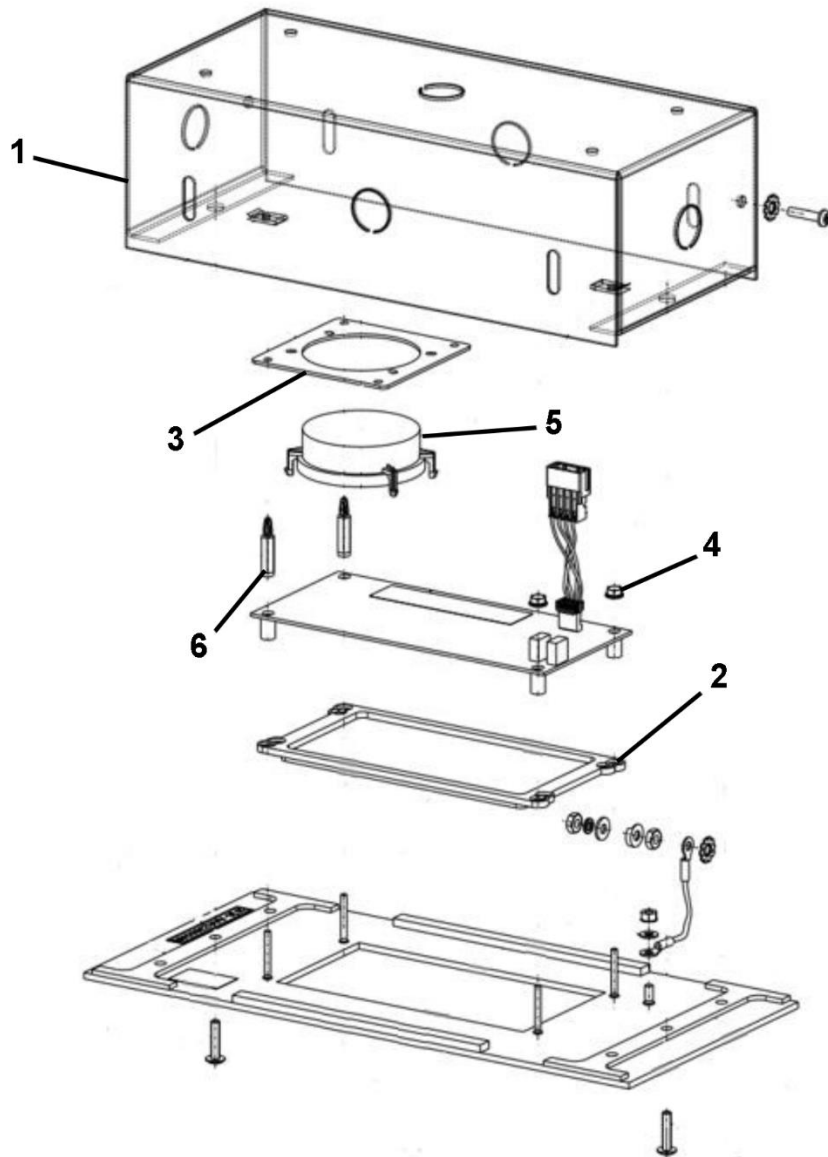
* Specify Faceplate Finish when ordering. The available finishes are: FS4 (brushed stainless, covers MF4 & SS4), SS8 (mirror stainless), BR7 (brushed brass), and BR8 (mirror brass).

Electrical Parts



AAA23600AR		
REF. No.	PART No.	DESCRIPTION
1	AAA174YL24	Cable, Signal
2	AAA26800BCV1	PC-Board, Position & Direction Indicator, 2-digit, Red Illumination
	AAA26800BCV2	PC-Board, Position & Direction Indicator, 2-digit, Green Illumination
	AAA26800BCV3	PC-Board, Position & Direction Indicator, 2-digit, Blue Illumination
	AAA26800BCV4	PC-Board, Position & Direction Indicator, 2-digit, White Illumination
	AAA26800BDC1	PC-Board, Position & Direction Indicator, 3-digit, Red Illumination
	AAA26800BDC2	PC-Board, Position & Direction Indicator, 3-digit, Green Illumination
	AAA26800BDC3	PC-Board, Position & Direction Indicator, 3-digit, Blue Illumination
	AAA26800BDC4	PC-Board, Position & Direction Indicator, 3-digit, White Illumination

**AAA23600AR Hall Fixture Assembly,
Other Parts**



AAA23600AR		
REF. No.	PART No.	DESCRIPTION
1	A313CH10	Box, Wall (for 2-digit PI)
	A313CH4	Box, Wall (for 3-digit PI) (not shown)
2	AAA443EC6	Lens, 2-digit PI
	AAA443FP4	Lens, 3-digit PI (not shown)
3	AAA180KZ1	Holder, Speaker
4	AAA72MC1	Nut, Speed, M3
5	AAA655B13	Speaker
6	AAA354DT13	Standoff