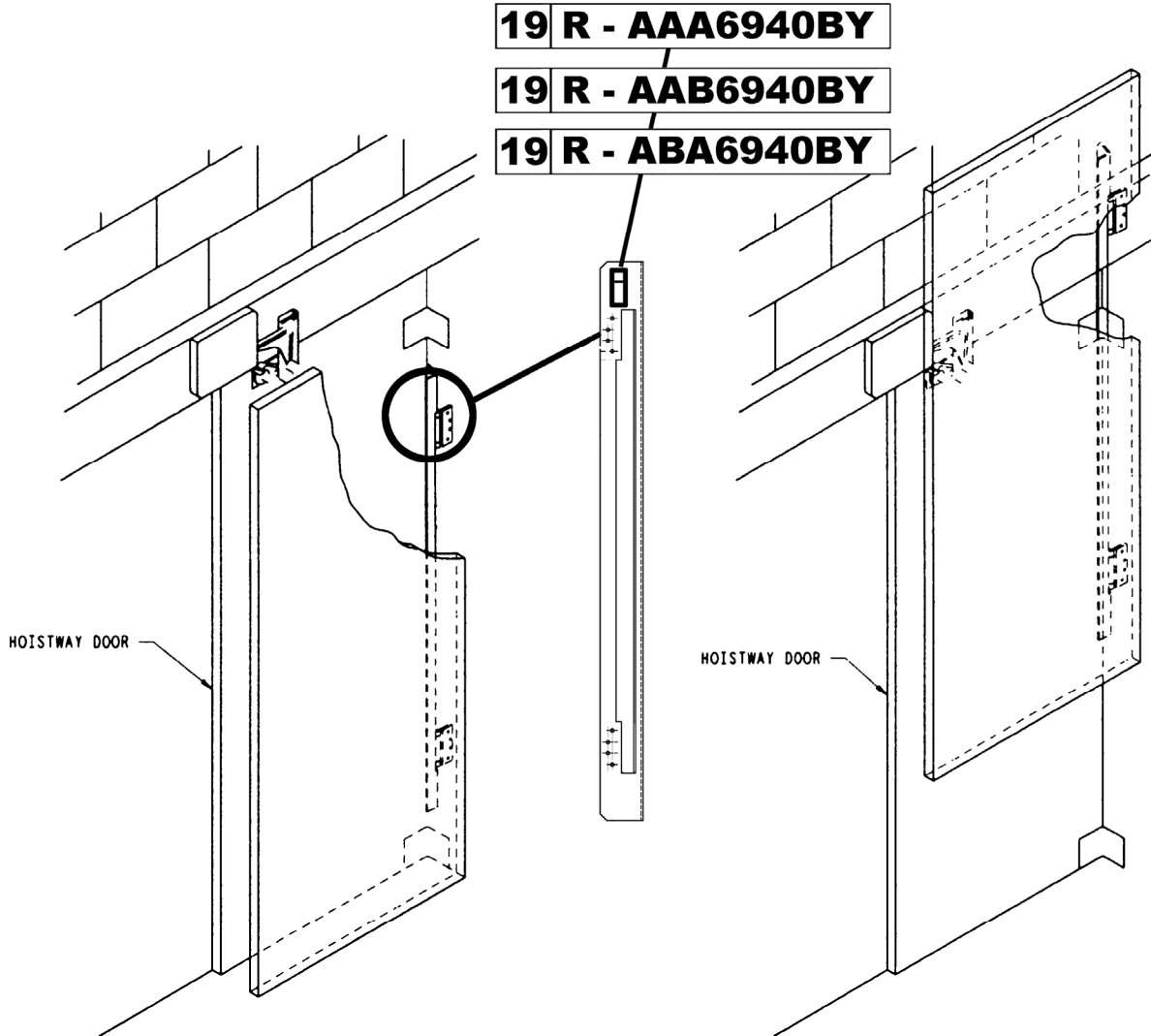


Hinged Door Stop: Metric Door Restrictor

Spare Parts Leaflet

19-AAA6940BY

August 17, 2006 / Page 1 of 5



OTIS

Safety First!

SERVICE ENGINEERING
Otis Elevator Company
Bloomfield, Connecticut USA

Leaflet Description

This leaflet details type AAA6940BY auxiliary door stop used in QL, i-Motion®, i-Motion® II and OVL-HP car door systems. Note that there may be various contract-specific lengths for car door angles. To ensure code compliance, verify exact length of car angles and order per contract if no standard angles (enclosed) match.

Leaflet Revisions

Date Revised	Subject Matter Expert	Reason for Revision
March 15, 2002	Duane Stupienski	New release
February 12, 2003	Duane Stupienski	Parts numbers changes pp. 3 and 4
August 17, 2006	Diem Tran	Update parts numbers pp. 3 and 4

Related Drawings

Drawing No.	Title	Drawing No.	Title
AAA6940BY	Arrangement: Auxiliary Door Stop	AAA283ANE	Angle, Formed
AAB6940BY	Arrangement: Auxiliary Door Stop	ABA283ANE	Angle, Formed
ABA6940BY	Arrangement Auxiliary Door Stop	---	---

Related Documents

Document ID	Title
SPL 19-B6940BF	Mechanical Door Stop
SPL 27-AAA6940BW	Collapsible Door Restrictor
SPL 27-AAA6940BS	Mechanical Door Restrictor
SU 13-100	Passenger Elevator Entrance Hoistway Doors

Subject Matter Expert

Name	Department
Diem Tran	OSC Service Engineering

About Spare Parts Leaflets...

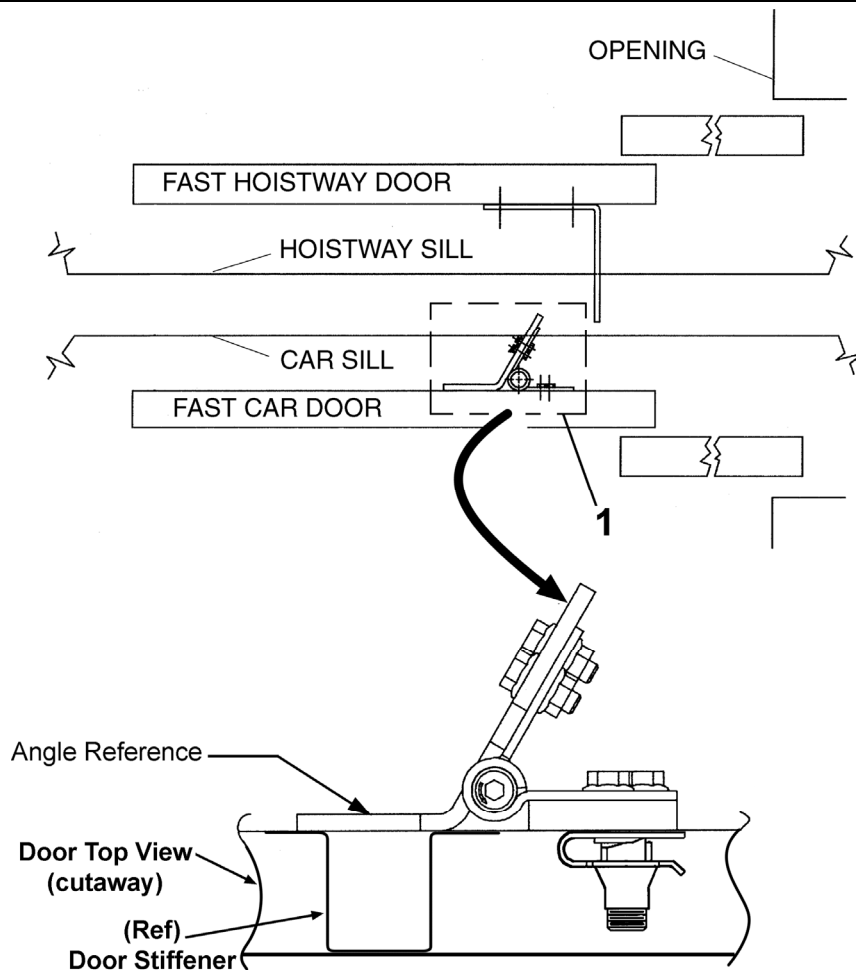
This document lists the lowest replaceable units (LRUs) for the standard version of the product. The LRUs are chosen by a team of Otis associates representing engineering and manufacturing.

While goal of this document is to make parts identification as easy as possible, the document cannot be all-inclusive. Elevator and escalator contracts classified as "special" or "custom" are not addressed here. For such contracts, please refer to specified information, the contract folder, TIPs, Field Education Articles, Construction Letters, etc. for further information.

If you have any suggestions about this document, please contact the subject matter expert listed on this page.

Hinged Door Stop Components

19-AAA6940BY

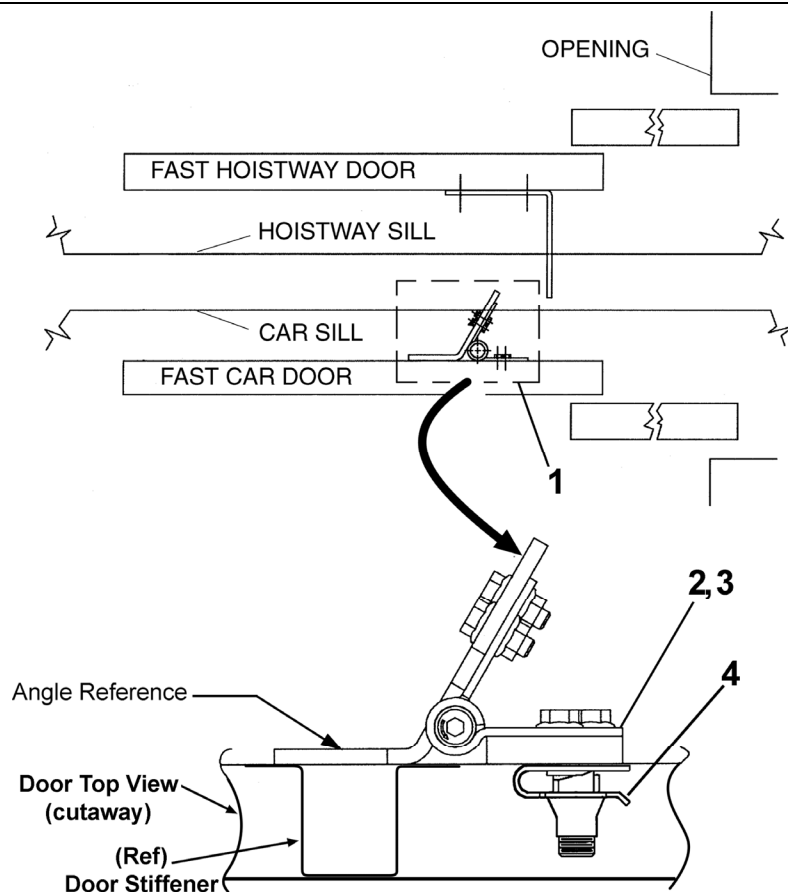


REF. No.	. PART No		DESCRIPTION	ANGLE LENGTH (mm)	APPLICATION
	AAA6940BY AAB6940BY	ABA6940BY			
1	AAA6940BY1 AAB6940BY1	ABA6940BY1	Assembly, Hinged Car Door Angle	1257	OVL-HP 2/S
	AAA6940BY2 AAB6940BY2	ABA6940BY2		1276	QL, I-Motion, I-Motion II, C/O & S/S
	AAB6940BY3	ABA6940BY3		984	QL, I-Motion, I-Motion II, 2/S
	AAB6940BY4	ABA6940BY4		1562	OVL-HP 2/S
	AAB6940BY5	ABA6940BY5		1581	QL, I-Motion, I-Motion II, C/O & S/S
	AAB6940BY6	ABA6940BY6		1289	QL, I-Motion, I-Motion II, 2/S

(continued on next page)

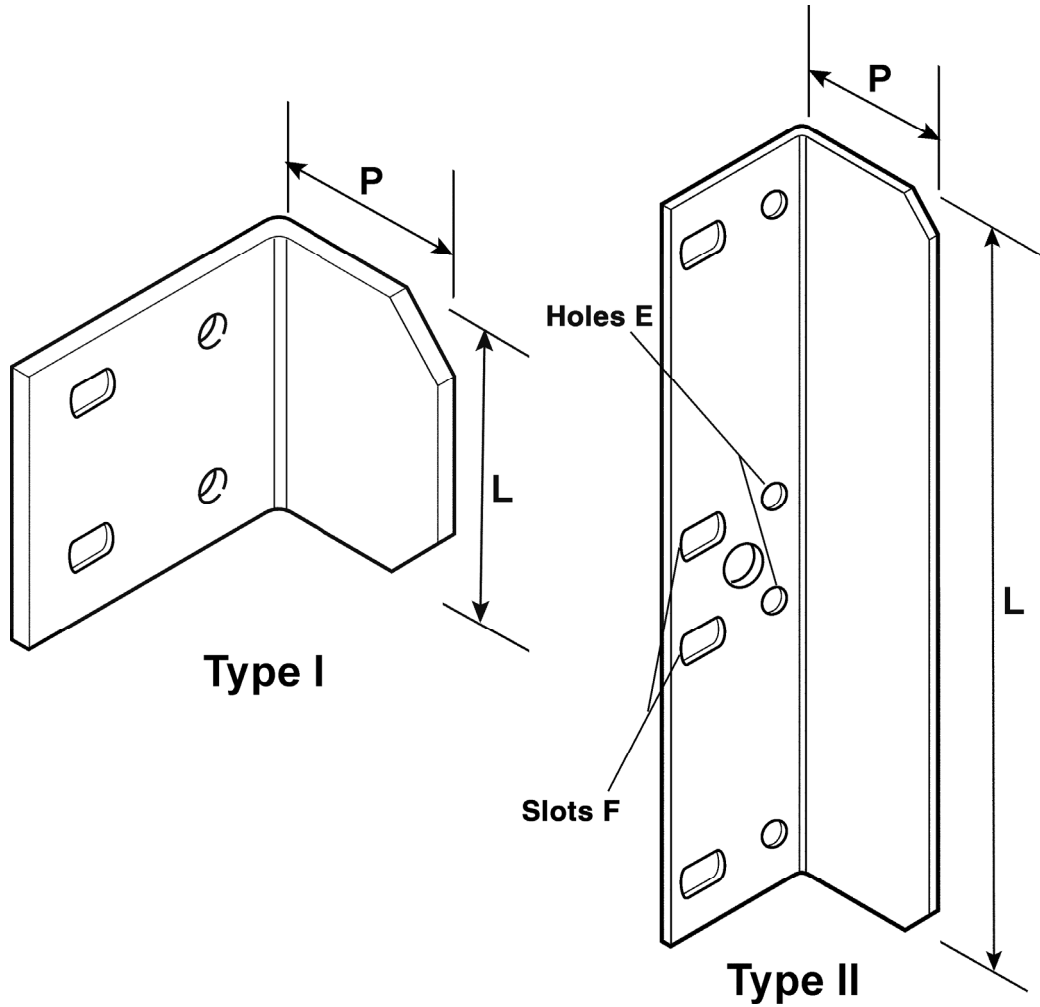
Hinged Door Stop Components

19-AAA6940BY



REF. No.	PART No.		DESCRIPTION	ANGLE LENGTH (mm)	APPLICATION
	AAA6940BY AAB6940BY	ABA6940BY			
1	AAA6940BY11 AAB6940BY11	ABA6940BY11	Assembly, Hinged Car Door Angle	1224	OVL-HP 2/S
	AAA6940BY12 AAB6940BY12	ABA6940BY12		1424	OVL-HP 2/S
	AAB6940BY20	ABA6940BY20		984	OVL-HP 2/S Alberta Only
	AAB6940BY24	ABA6940BY21		1562	QL, I-Motion, I-Motion II, C/O & S Alberta Only
	AAB6940BY22	ABA6940BY22		1257	QL, I-Motion, I-Motion II, 2/S Alberta Only
	AAB6940BY23	ABA6940BY23		1276	OVL-HP 2/S Alberta Only
2	AAA391DF3	AAA391CJ2	Hinge, Top		
3	AAA391DF4		Hinge, Base		
4	---	72BX19	Nut, Speed (for Weldless door), See SPL 25-AAA23100Y		
	---	72BX20	Nut, Clip (for panel door), See SPL 23-AAA24520E		

Hoistway Door Angle



**AAA6940BY
AAB6940BY
ABA6940BY**

Type No.	Part No.	Description	Holes E	Slots F	Length "L" (in.)	Protrusion "P" (in.)
I	AAA283ANE1 ABA283ANE1	Angle, Hoistway Door	W/O	W/O	3.00	3.12
II	AAA283ANE2 ABA283ANE2		With	With	14.50	
	AAA283ANE3 ABA283ANE3		W/O	W/O	18.25	
I	AAA283ANE4 ABA283ANE4		W/O	W/O	3.00	0.88
	AAA283ANE6 ABA283ANE6		W/O	W/O	4.50	
	AAA283ANE7 ABA283ANE7		With	With	6.00	3.12