

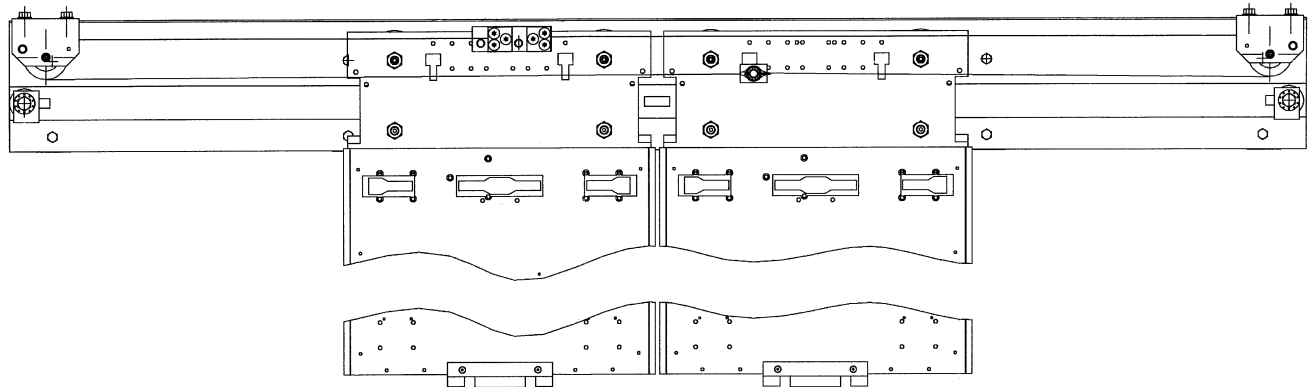
# Integral Car Door Hanger & Track Assembly

**Spare Parts Leaflet**

**19-AAA6178CS**

February 17, 2021 / Page 1 of 10

19	R-AAA6178CS
19	R-AAA6178CU
19	R-AAA6178CW



**Center-Opening  
System Shown**

# OTIS

This document does not contain any  
technical data subject to EAR or ITAR

**SERVICE ENGINEERING**  
**Otis Elevator Company**  
**Bloomfield, Connecticut USA**

Unpublished Work—© Otis Elevator Co.; 2021

**Leaflet Description**

This leaflet provides spare parts information for types AAA6178CS/CU/CW integral car door hanger and track assemblies.

**Leaflet Revisions**

<b>Date Revised</b>	<b>Subject Matter Expert</b>	<b>Reason for Revision</b>
August 1, 2001	Duane Stupienski	New leaflet
January 31, 2002	Duane Stupienski	Remove the pin marking 'M' on pp. 7 and 9.
February 12, 2003	Duane Stupienski	Add reference to weldless and non-weldless door SPLs. Hanger rollers moved to door SPLs (pp. 7 and 9).
February 17, 2021	Pete Kelley	Added Refresh Kit Part Numbers

**Related Drawings**

<b>Drawing No.</b>
AAA6178CS
AAA6178CW
AAA6178CU

**Related Documents**

<b>Document ID</b>	<b>Title</b>
19-6178CA	<i>Integral Hanger Car Door Systems, Center-Opening, Single-Slide, &amp; Two-Speed</i>
19-6178CH	<i>Applied Hanger Car Door Systems</i>
19-AAA6178CT	<i>Applied Car Door Hanger and Track Assembly</i>
25-AAA24479A	<i>Car Door Hanger and Guide System (non-weldless door)</i>
19-AAA24479E	<i>Car Door (weldless)</i>
TIP 21.2-4	<i>Replacements for 456CX4 Door Hanger Roller</i>
TIP 23.3-3	<i>Door Hanger Rollers—Roller Profile Squeaking Roller Problem</i>
TIP 21.2-5	<i>Aircord Drive Sheave Replacement</i>

**Subject Matter Expert**

<b>Name</b>	<b>Department</b>
Pete Kelley	OSC Service Engineering

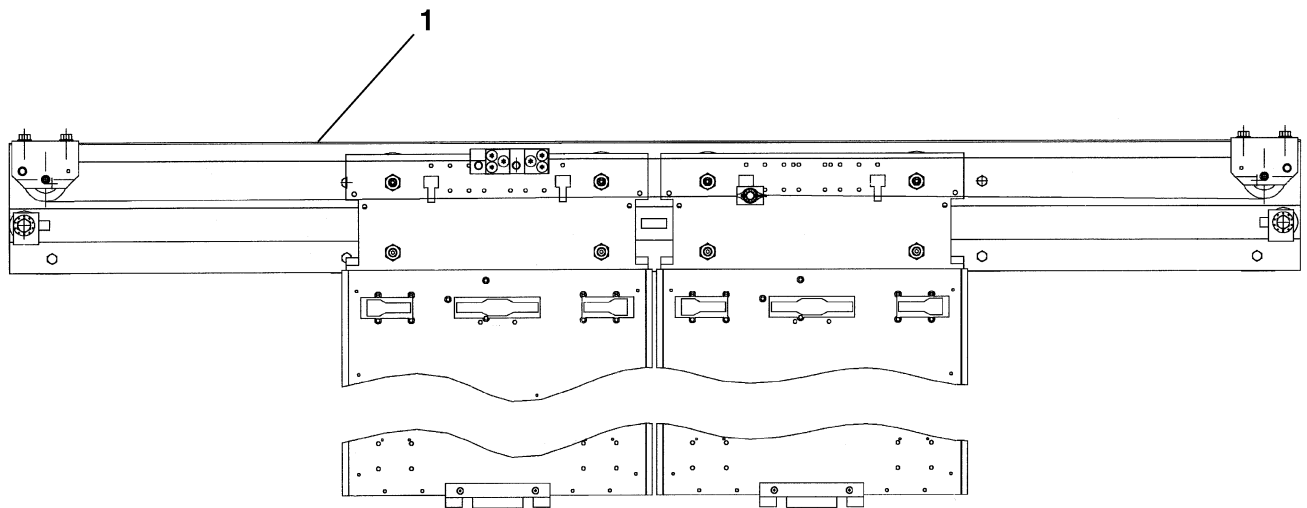
This document lists the lowest replaceable units (LRUs) for the standard version of the product. The LRUs are chosen by a team of Otis associates representing engineering and manufacturing.

While goal of this document is to make parts identification as easy as possible, the document cannot be all-inclusive. Elevator and escalator contracts classified as "special" or "custom" are not addressed here. For such contracts, please refer to specified information, the contract folder, TIPs, Field Education Articles, Construction Letters, etc. for further information.




If you have any suggestions about this document, please contact the subject matter expert listed on this page.

# Center-Opening & Single-Slide Integral Car Door Hanger & Track Components

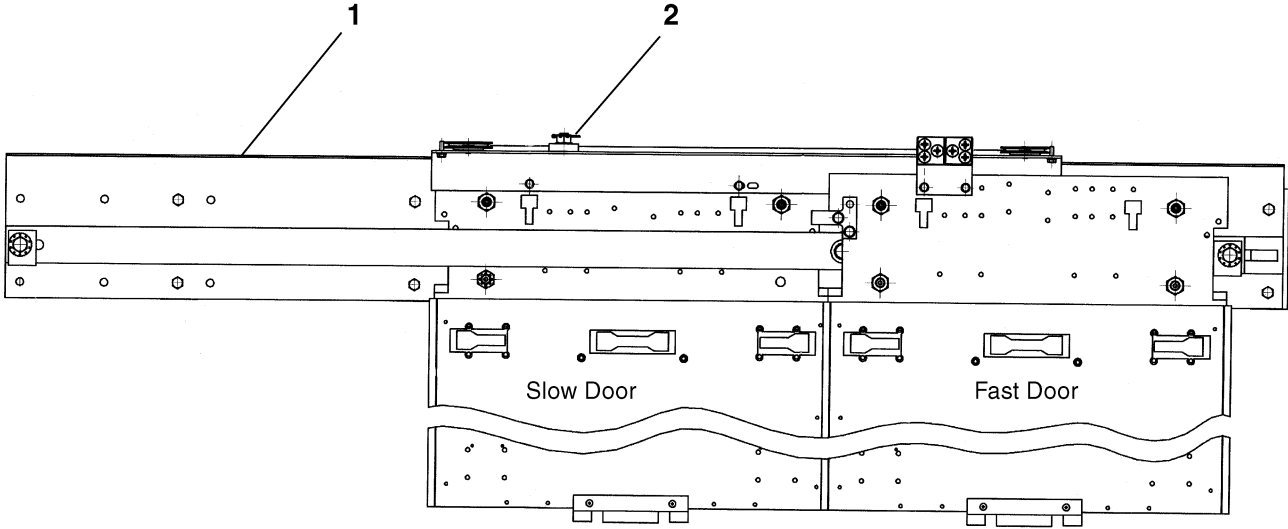
**19-AAA6178CS**






**Center-Opening System Shown**

<b>REF. NO.</b>	<b>PAGE</b>	<b>DESCRIPTION</b>
1	 p. 5	Center-Opening Header/Track Assembly
	 p. 6	Single-Slide Header/Track Assembly
---	 p. 7	Center-Opening & Single-Slide Header/Track Components

**Two-Speed Integral Car Door Hanger  
& Track Components**

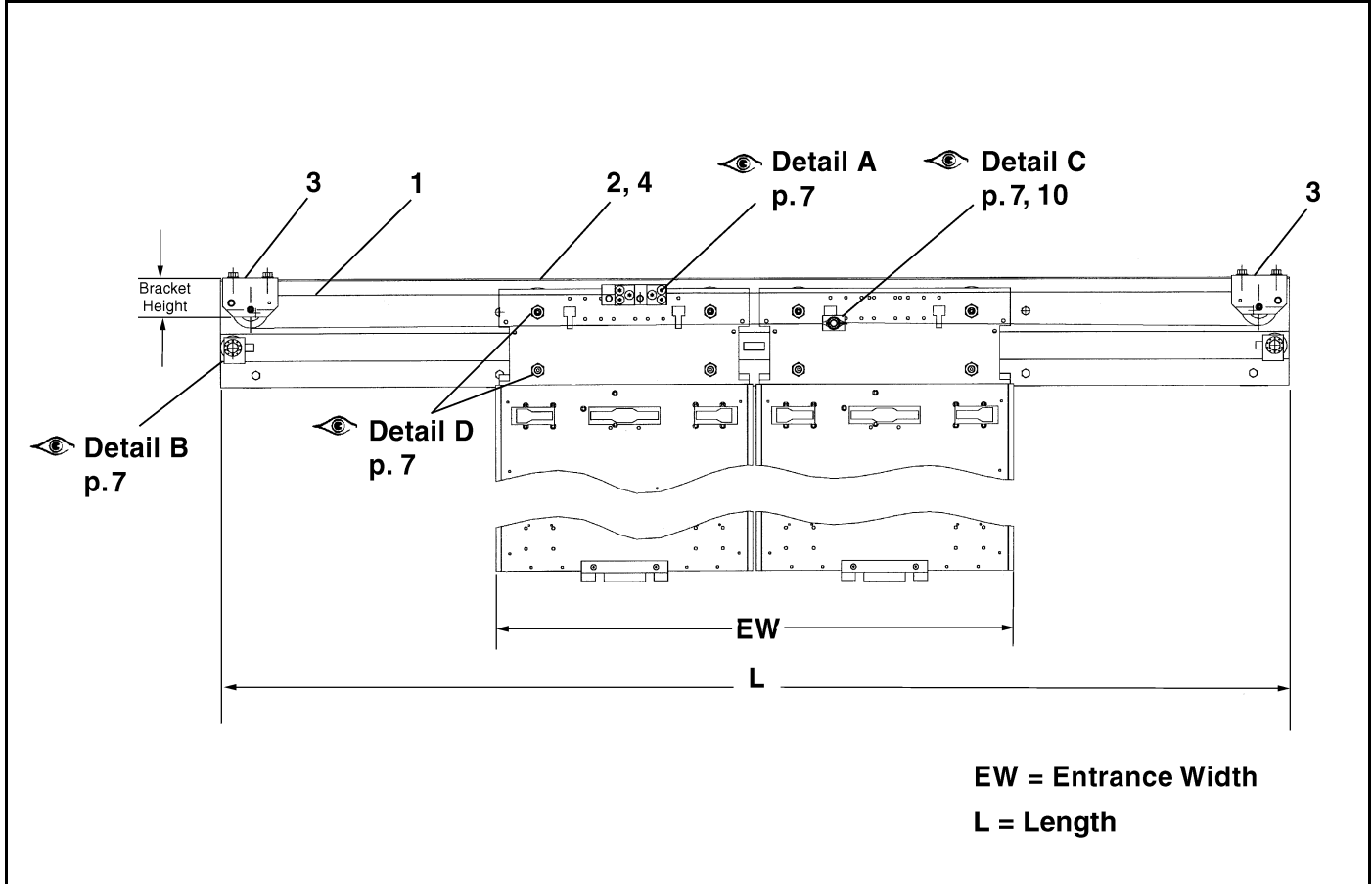


**Two-Speed  
System Shown**

<b>REF. NO.</b>	<b>PAGE</b>	<b>DESCRIPTION</b>
1	 p. 8	Two-Speed Header/Track Assembly
---	 p. 9	Two-Speed Header/Track Components
2	 p. 10	Two-Speed Aircord Drive Assembly

# Center-Opening Header/Track Assm.

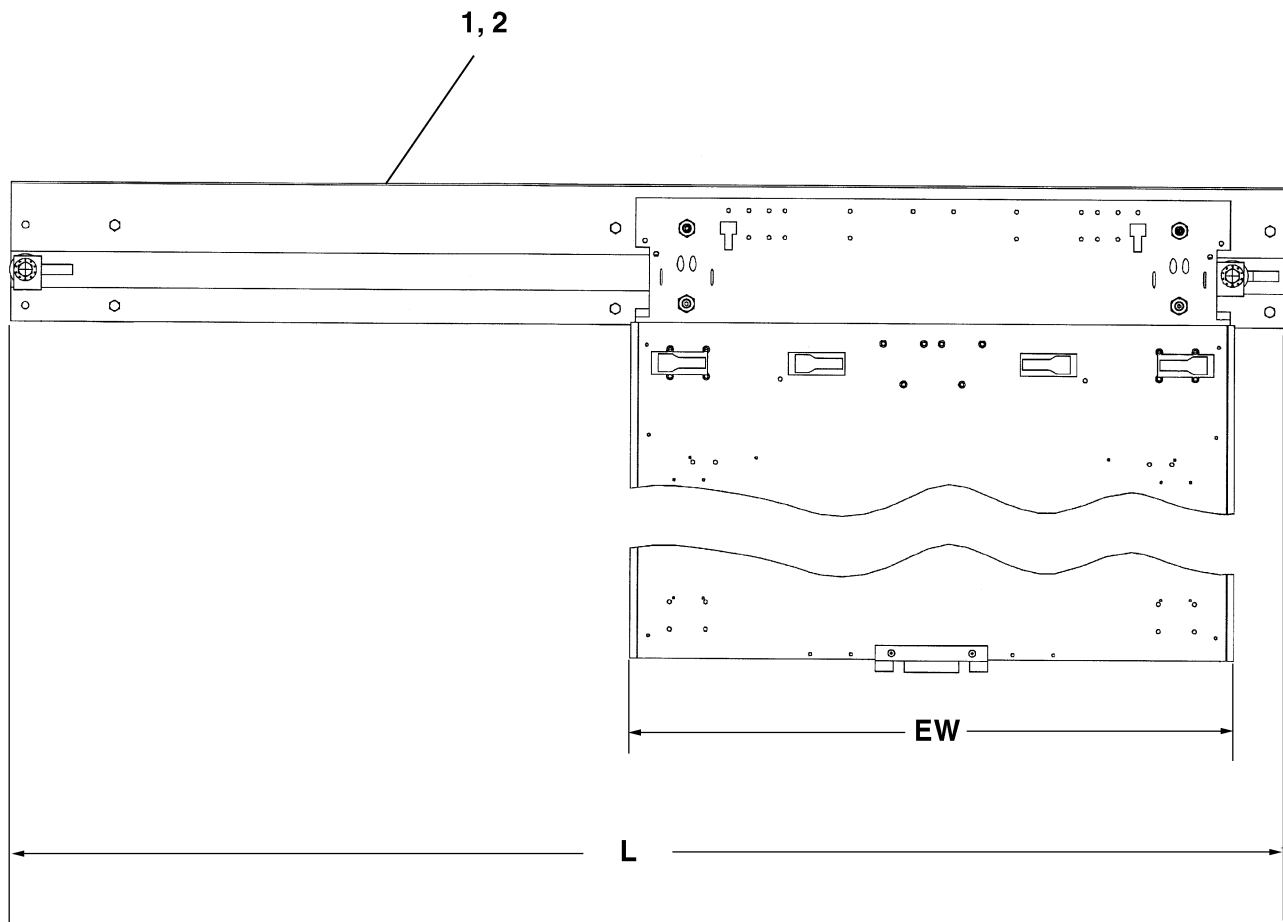
**19-AAA6178CS**



<b>AAA6178CS</b>							
<b>REF. NO.</b>	<b>PART or ML</b>	<b>DESCRIPTION</b>	<b>L (in.)</b>	<b>EW (in.)</b>			
1	174AS34	Aircord	115	36			
	174AS38		188	42			
	174AS39		212	48			
	174AS995	Aircord, <table border="1" style="display: inline-table; vertical-align: middle;"><tr><td style="text-align: center;">ORDER</td></tr><tr><td> </td></tr><tr><td> </td></tr></table> Per Foot to Suit Field Specifications	ORDER			Variable	Variable
ORDER							
2*	ABA483WS2	Assembly, Header/Track, Center-Opening Door, w/Bumpers, w/o Pulleys	77.3	36			
	ABA483WS4	Assembly, Header/Track, Center-Opening Door, w/Bumpers, w/o Pulleys	89.3	42			
	ABA483WS6	Assembly, Header/Track, Center-Opening Door, w/Bumpers, w/o Pulleys	101.3	48			
3	AAA316FWQ2	Bracket, Sheave, Center-Opening Track, 2.81 in. H	---	---			
**	AAA24430AT9	Kit, Refresh. Includes: Aircord, Hanger and Upthrust Rollers, Gibs, Pulley Brackets	---	---			
4	AAA483XB998-106	Track, Shape Only (field to cut & drill as needed) If Specific Track is Desired, <table border="1" style="display: inline-table; vertical-align: middle;"><tr><td style="text-align: center;">ORDER</td></tr><tr><td> </td></tr><tr><td> </td></tr></table> Ref. 2	ORDER			---	---
ORDER							

\* For tracks outside of standard parameters, contact OSC w/contract information and reference A\*\*483WS.

\*\* Not Shown



**EW = Entrance Width**

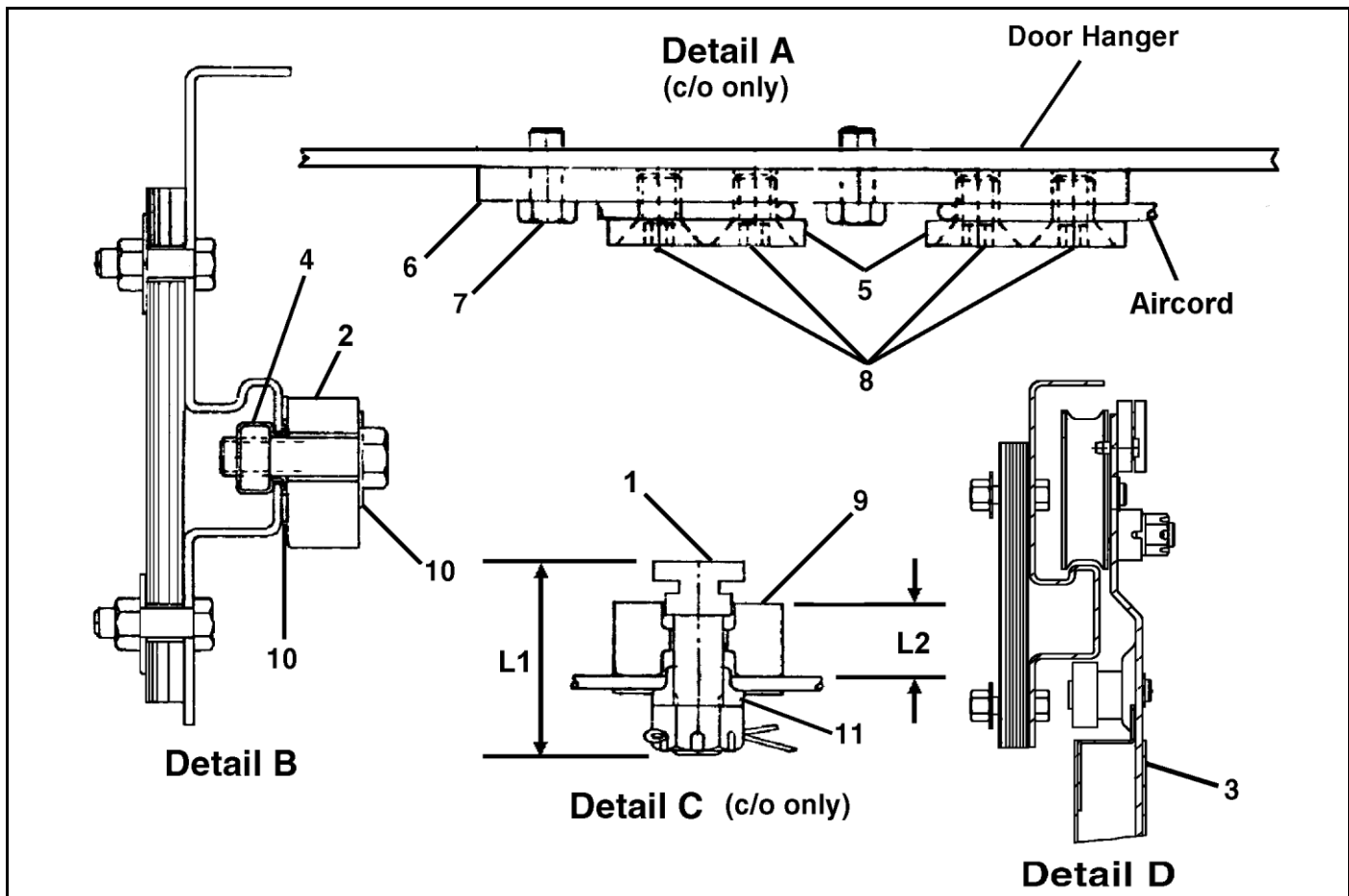
**L = Length**

<b>AAA6178CU</b>					
<b>REF. NO.</b>	<b>PART or ML</b>	<b>DESCRIPTION</b>	<b>L (in.)</b>	<b>EW (in.)</b>	
1	ABA483WT2	Assembly, Header/Track, Single-Slide Door	70.7	32	
	ABA483WT4		78.7	36	
	ABA483WT6		90.7	42	
*	AAA24430AT8	Kit, Refresh. Includes: Hanger & Upthrust Rollers, Gibs, Bumpers			
2	AAA483XB998-106	Track, Shape Only (field to cut & drill as needed) If specific track is desired, <table border="1" style="display: inline-table; vertical-align: middle;"><tr><td>ORDER</td></tr></table> Ref. 1.	ORDER		
ORDER					

\* Not Shown

# Center-Opening & Single-Slide Header/Track Components

**19-AAA6178CS**

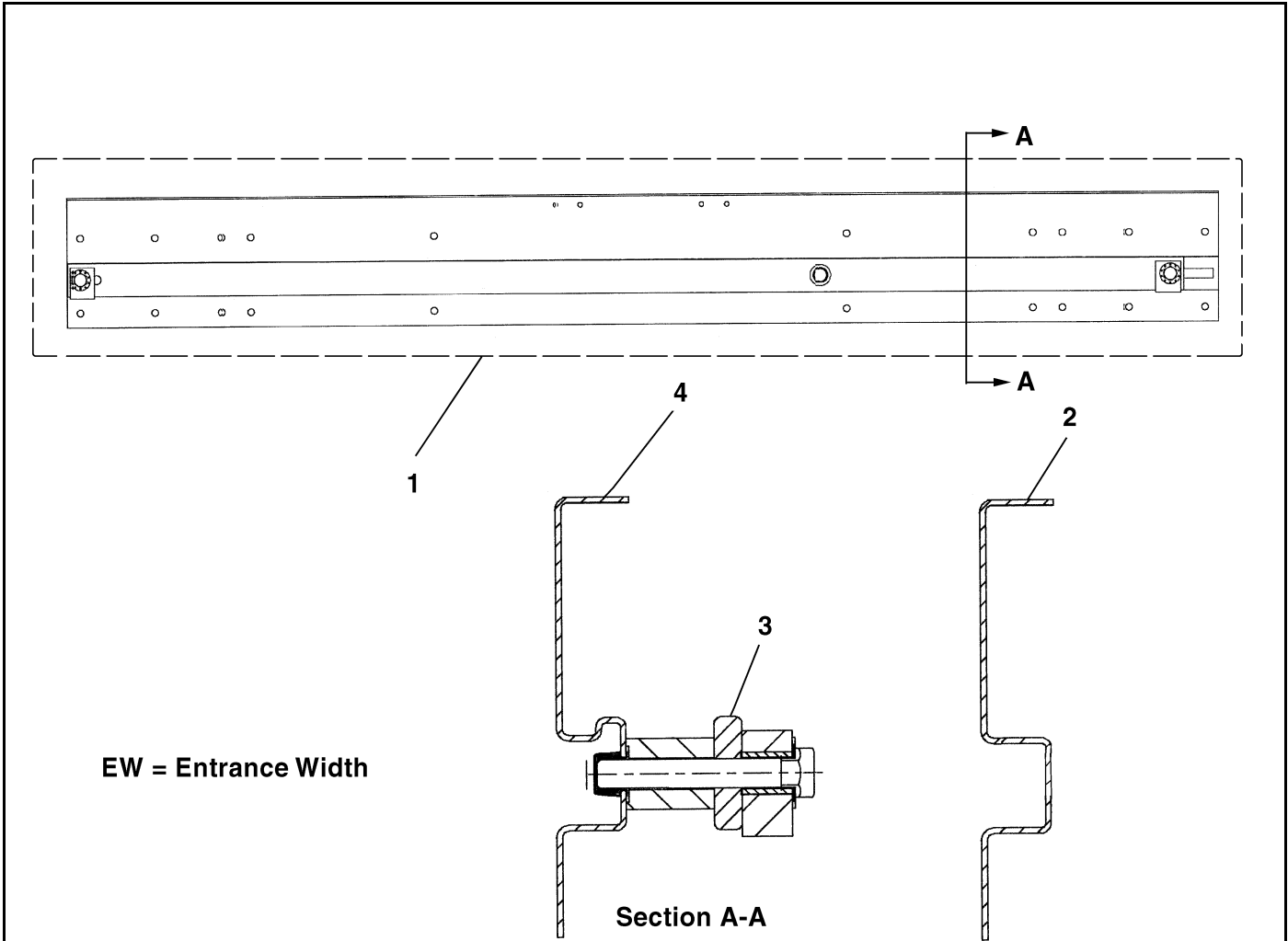


**AAA6178CS  
AAA6178CU**

REF. NO.	PART or ML	DESCRIPTION
1	65CN2	Bolt, Slotted Hanger, L1 = 1.31 in.
2	320AB8	Bumper, Rubber
3	---	Door Assembly, Weldless (with integral hangers)  SPL 19-AAA24479E
	---	Door Assembly, Standard (pre 2003)  SPL 19-AAA24479A (for both integral and applied hangers)
4	72DJ2	Nut, Grip
5	386AKS1	Plate, Clamp (two used per assembly)
6	386BKM1	Plate, Hitch
7	109P2	Screw
8	---	Screw, Flat Head, Hex Socket, 5/16-18 x 1/2 in., Purchase Locally
9	231F1	Socket, Rope
10	130 J11	Washer, Lock, Internal-External
11	133BC1	Washer, Spring Seat

**19-AAA6178CS**

## Two-Speed Header/Track Assembly



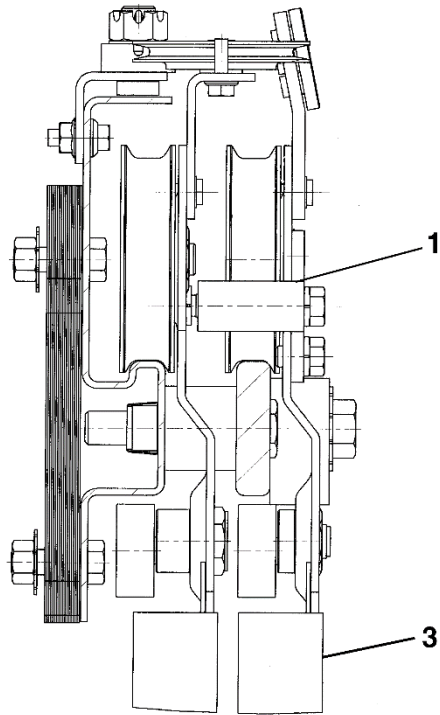
<b>AAA6178CW</b>			
<b>REF. NO.</b>	<b>PART or ML</b>	<b>DESCRIPTION</b>	<b>EW (in.)</b>
1	ABA483WU2	Assembly, Header/Track, Two-Speed	42
	ABA483WU4	Assembly, Header/Track, Two-Speed	48
	ABA483WU6	Assembly, Header/Track, Two-Speed	54
2	AAA50ATN-106	Shape, Header, w/o Track (used for nonstandard entrances)	---
3	50ADF1-162	Track, Fast Door, 162 in. L (shape only—field to cut & drill to suit)	---
	483RL2	Track, Fast Door, 67.2 in. L	42
	483RL1	Track, Fast Door, 76.2 in. L	48
	483RL3	Track, Fast Door, 85.2 in. L	54
4	AAA483XB998-106	Track Slow Door, 106 in. (formed header, shape only—field to cut and drill to suit)	---

**Two-Speed Header/Track**

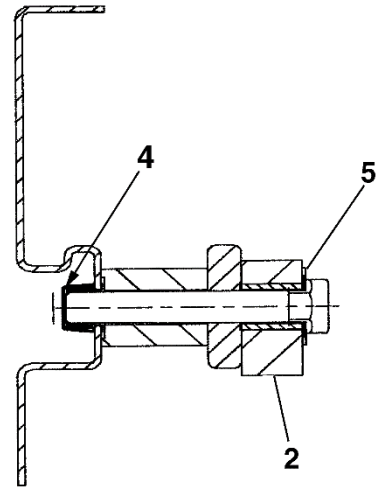
**19-AAA6178CS**






# Components



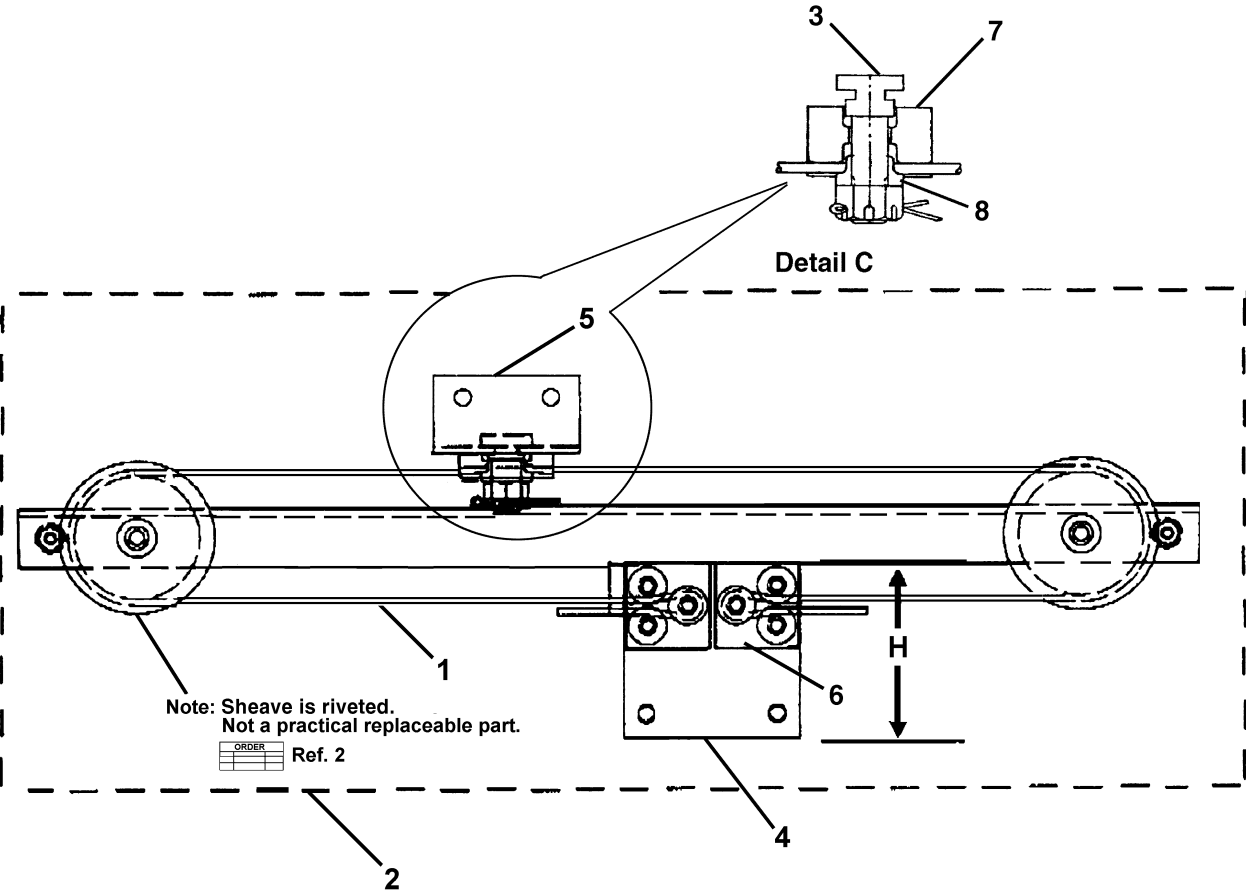
**Two-Speed Header/Track  
Side View Shown**



**Section A-A**  
 page 8, Ref. 1

W/O VINTAGE		
REF. NO.	PART or ML	DESCRIPTION
1	AAA316GAQ1	Bracket, Safety Door Drag
2	320AB8	Bumper
3	---	Door Assembly, Weldless (with integral hangers),  SPL 19-AAA24479E
	---	Door Assembly, Standard (pre 2003),  SPL 19-AAA24479A (for both integral and applied hangers)
*	AAA24430AT10	Kit, Refresh. Includes: Hanger & Upthrust Rollers, Gibs, Bumpers
4	72DJ2	Nut, Grip
5	130J11	Washer, Spring Seat

\* Not Shown



L = Length  
EW = Entrance Width

REF. NO.	W/O VINTAGE		L (in.)	EW (in.)
	PART or ML	DESCRIPTION		
1	174AS1	Aircord	74	42
	174AS2		83	48
	174AS36		90	54
	174AS995	Aircord (order per foot to suit field)	---	---
2	6178CG4	Assembly, Aircord, Complete	34.2	42
	6178CG5	Assembly, Aircord, Complete	37.2	48
	6178CG6	Assembly, Aircord, Complete	40.2	54
3	65CN2	Bolt, T-Slotted		
4	316CEV2	Bracket, 3.08 in. H		
5	316CTF2	Bracket		
6	386AKS1	Plate, Clamp		
7	231F1	Socket, Rope		
8	133BC1	Washer, Spring Seat		