

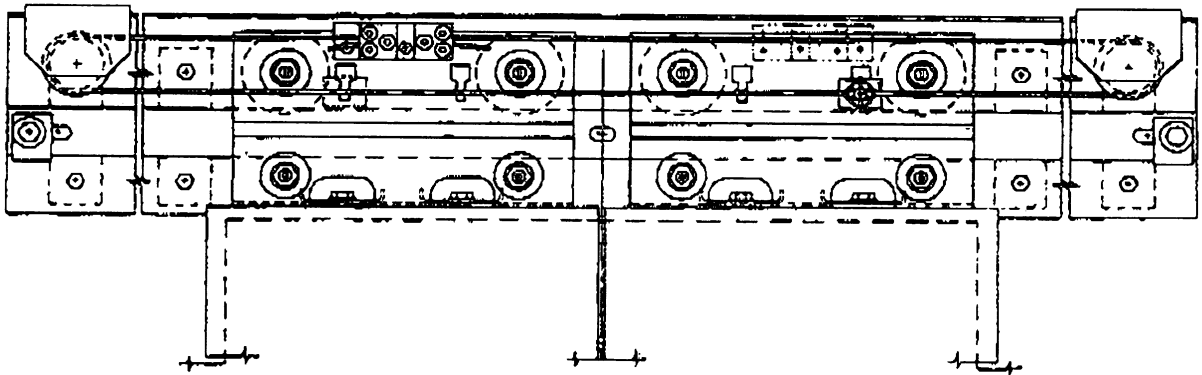
**Applied Hanger Car Door  
Systems: Single-Slide,  
Center-Opening, Two-Speed**

**Spare Parts Leaflet  
19-6178CH**

February 10, 2021 / Page 1 of 11

Center-Opening  
System Shown

**W/O  
Vintage**



Post-1977 Production

**OTIS**

This document does not contain any  
technical data subject to EAR or ITAR

**SERVICE ENGINEERING  
Otis Elevator Company  
Bloomfield, Connecticut USA**

Unpublished Work—© Otis Elevator Co.; 2021

**Leaflet Description**

This SPL covers car door system components used primarily when QL door operators were specified on the elevator in question. For applied hanger assemblies prior to 1978, see SPL C-1010. For integral car door hanger system assemblies, see SPL 19-6178CA. For hoistway car door hanger system assemblies, see component code 25 SPLs.

**Leaflet Revisions**

<b>Date Revised</b>	<b>Subject Matter Expert</b>	<b>Reason for Revision</b>
July 1, 1999	Duane Stupienski	New SPL
January 1, 2001	Duane Stupienski	Minor edits, pp. 6 & 7
February 10, 2021	Pete Kelley	Added Refresh Kit p/ns

**Related Drawings**

<b>Drawing No.</b>
6178CH
6178CJ
6178CK
2-389BA

**Related Documents**

<b>Document ID</b>	<b>Title</b>
SPL 19-6178CA	<i>Integral Car Door Hanger System</i>
SPL C-1010	<i>AU: Hanger</i>
TIP 21.2-4	<i>Replacement for 456CX4 Door Hanger Roller</i>
TIP 23.3-3	<i>Door Hanger Rollers - Roller Profile Squeaking Roller Problem</i>
TIP 21.2-5	<i>Aircord Drive Sheave Replacement</i>

**Subject Matter Expert**

<b>Name</b>	<b>Department</b>
Pete Kelly	OSC Service Engineering

**About Spare Parts Leaflets...**

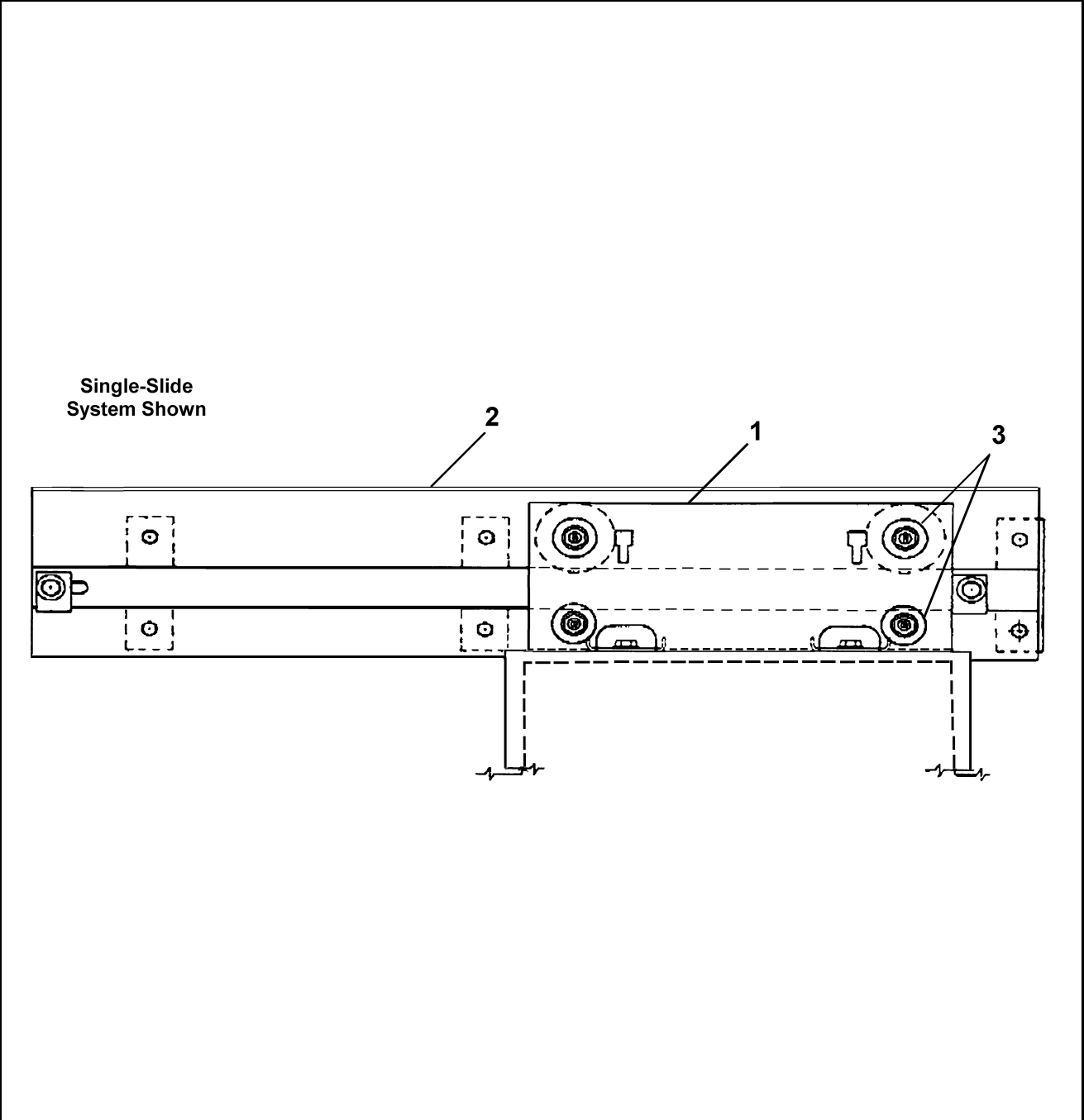
This document lists the lowest replaceable units (LRUs) for the standard version of the product. The LRUs are chosen by a team of Otis associates representing engineering and manufacturing.

While goal of this document is to make parts identification as easy as possible, the document cannot be all-inclusive. Elevator and escalator contracts classified as "special" or "custom" are not addressed here. For such contracts, please refer to specified information, the contract folder, TIPs, Field Education Articles, Construction Letters, etc. for further information.

If you have any suggestions about this document, please contact the subject matter expert listed on this page.

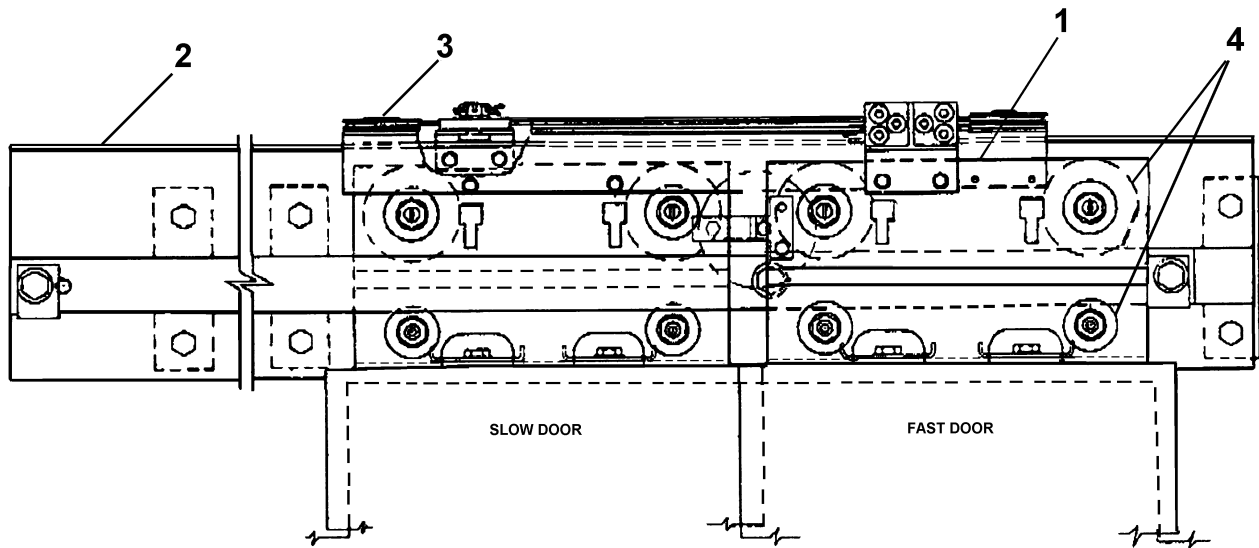
# Type 6178CH/CJ Single-Slide and Center-Opening Door Components


**19-6178CH**







REF. NO.	DESCRIPTION	PAGE
1	Assembly, Applied Door Hanger	👁 p. 8
2	Assembly, Header and Track	👁 p. 5
3	Parts, Door Hanger	👁 p. 9

**Type 6178CK Two-Speed Door  
Components**



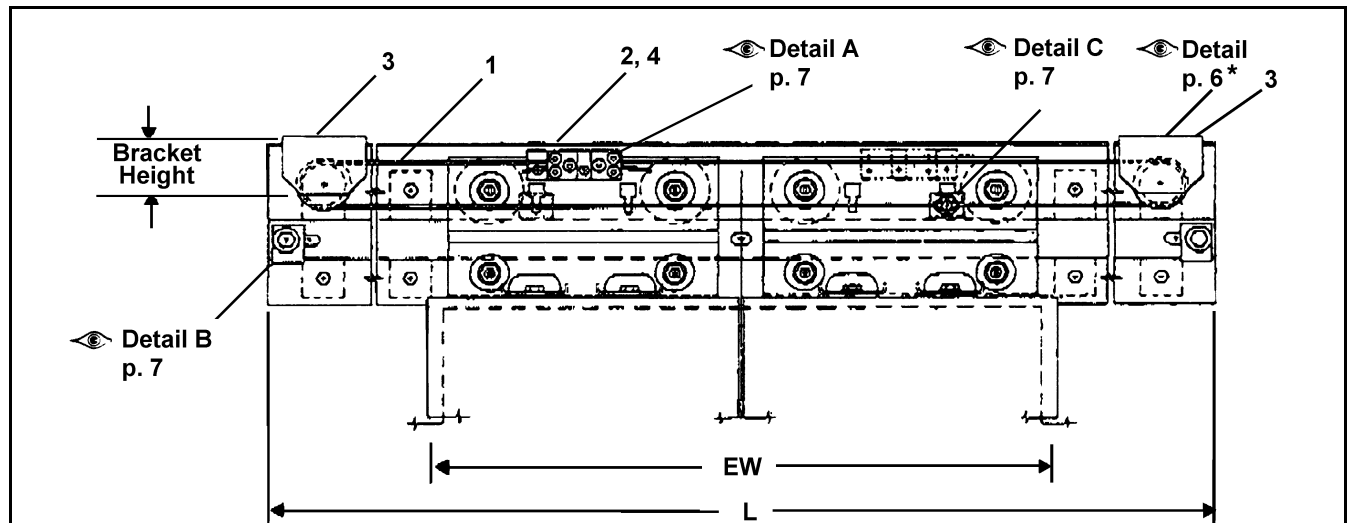
 Shown

REF. NO.	DESCRIPTION	PAGE
1	Assembly, Applied Door Hanger	 p. 8
2	Assembly, Header and Track	 p. 7
3	Assembly, Two-Speed Aircord Drive	 p. 10
4	Parts, Door Hanger	 p. 9

# Type 6178CE Single-Slide &

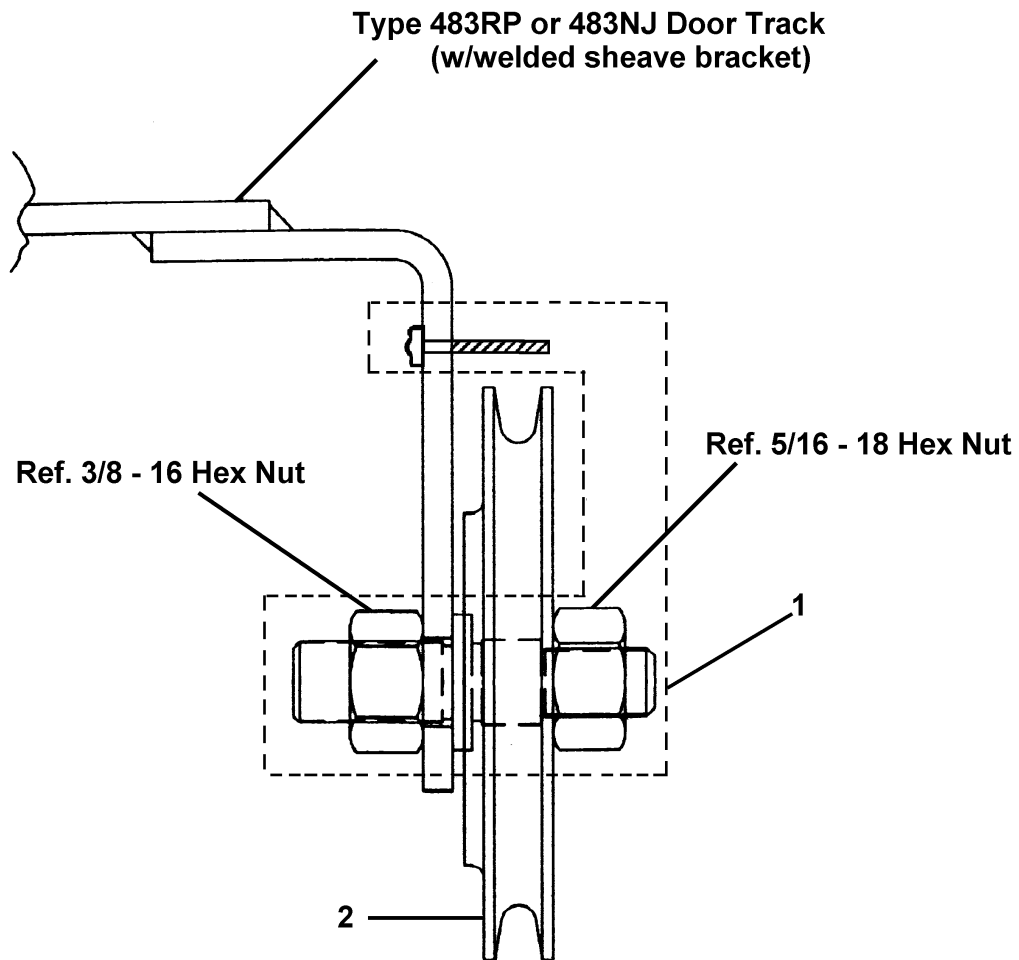
**19-6178CH**

## Center-Opening Header/Track Assembly




W/O VINTAGE				
REF. NO.	PART or ML	EW	HAND	DESCRIPTION
1	174AS995	---	---	Aircord,  Per Foot
2	6178CE1	32 in.	---	Assembly, Track, Single-Slide Door, 70.7 L
	6178CE6	32 in.		Assembly, Track, Single-Slide Door, 73.7 L
	6178CE7	32 in.		Assembly, Track, Single-Slide Door, 73.7 L
	6178CE8	32 in.		Assembly, Track, Single-Slide Door, 85.7 L
	6178CE9	32 in.		Assembly, Track, Single-Slide Door, 85.7 L
	<del>6178CE2</del>	36 in.	---	Assembly, Track, Single-Slide Door, 78.7 L
	6178CE20			
	6178CE10	36 in.		Assembly, Track, Single-Slide Door, 85.7 L
	6178CE11	36 in.		Assembly, Track, Single-Slide Door, 85.7 L
	<del>6178CE3</del>	42 in.	---	Assembly, Track, Single-Slide Door, 90.7 L
	6178CE21			
	6178CE12	42 in.		Assembly, Track, Single-Slide Door, 90.7 L
	6178CE13	42 in.		Assembly, Track, Single-Slide Door, 90.7 L
	6178CE14	42 in.		Assembly, Track, Single-Slide Door, 97.7 L
	6178CE15	42 in.		Assembly, Track, Single-Slide Door, 97.7 L
	6178CE17	36 in.	---	Assembly, Track, Center-Opening Door, 77.5 L
	6178CE18	36 in.	---	Assembly, Track, Center-Opening Door, 85.7 L
	6178CE19	36 in.	---	Assembly, Track, Center-Opening Door, 97.7 L
	6178CE4	42 in.	---	Assembly, Track, Center-Opening Door, 89.3 L
6178CE16	42 in.	---	Assembly, Track, Center-Opening Door, 97.7 L	
6178CE5	48 in.	---	Assembly, Track, Center-Opening Door, 101.3 L	
3	B316CCB2	---	---	*Bracket, Sheave, 2.44 in. H (Used Prior to 1996)
	AAA316FWQ2	---	---	Bracket, Sheave, Center-Opening Track, 2.81 in. H
4	1S-50AKL-106	---	---	Track, Shape Only (Field to Cut & Drill as Needed) If Specific Track is Desired,  Ref. 2

\*NOTE: For welded aircord sheave bracket (sheave replacement), removable pin, p. 6.

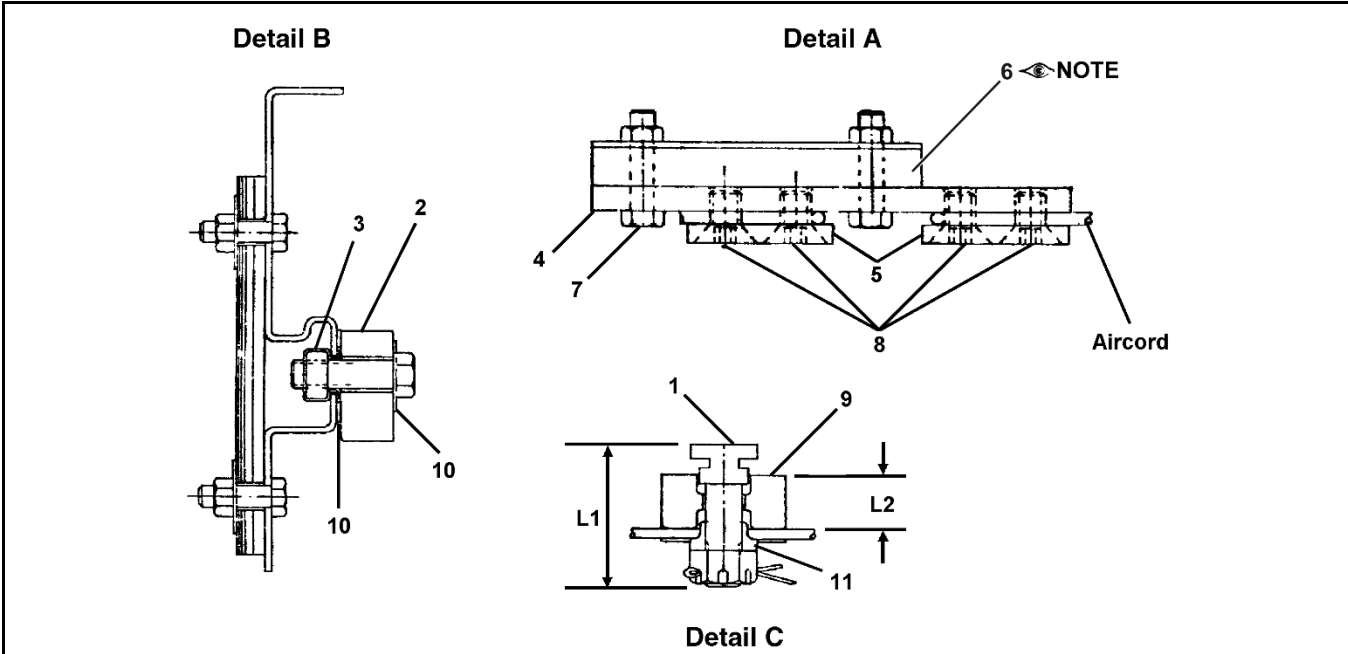


W/O VINTAGE		
REF. No.	PART No.	DESCRIPTION
1*	AAA81JF1	Kit, Pin, Removable, Service Replacement
2	265BD2	Sheave, Aircord

\* Replaces pulley assembly on formerly welded bracket design when ordered w/ Ref 2.  TIP 21.2-5, *Aircord Drive Sheave Replacement*.

# Single-Slide and Center-Opening 6178CE Header/Track Components

**19-6178CH**



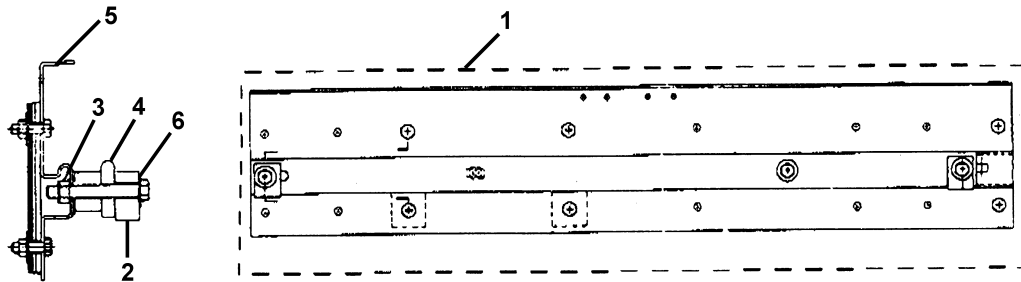
REF. NO.	W/O VINTAGE & 1977-1986 PROD. 1987-PRESENT PROD.		DESCRIPTION
	PART or ML		
1	65CN1	---	Bolt, Slotted Hanger, 1.83 in. L1
	---	65CN2	Bolt, Slotted Hanger, 1.31 in. L1
2	320AB8		Bumper, Rubber
*	AAA24430AT5		Kit, Refresh, Single-Slide. Includes: Hanger and Upthrust Rollers, Gibs, Bumpers
*	AAA24430AT6		Kit, Refresh, Center-Opening. Includes: Hanger and Upthrust Rollers, Gibs, Bumpers, Aircord, and Pulleys)
3	72DJ2		Nut, Grip
4	386BKM1		Plate, Hitch
5	386AKS1		Plate, Clamp (two used per assembly)
6**	A299G5		Plate, Spacer
7	109P1		Screw
8	Purchase Locally		Screw, Flat Head, Hex Socket, 5/16 - 18 x 1/2 in.
9	231E1	---	Socket, Rope, 0.86 in. L2
	---	231F1	Socket, Rope, 0.42 in. L2
10	130J11		Washer, Lock, Internal-External
11	133BC1		Washer, Spring Seat

\* Part not shown.

\*\* Plate not present after November 1996.

# 19-6178CH

# Two-Speed Header/Track Assembly



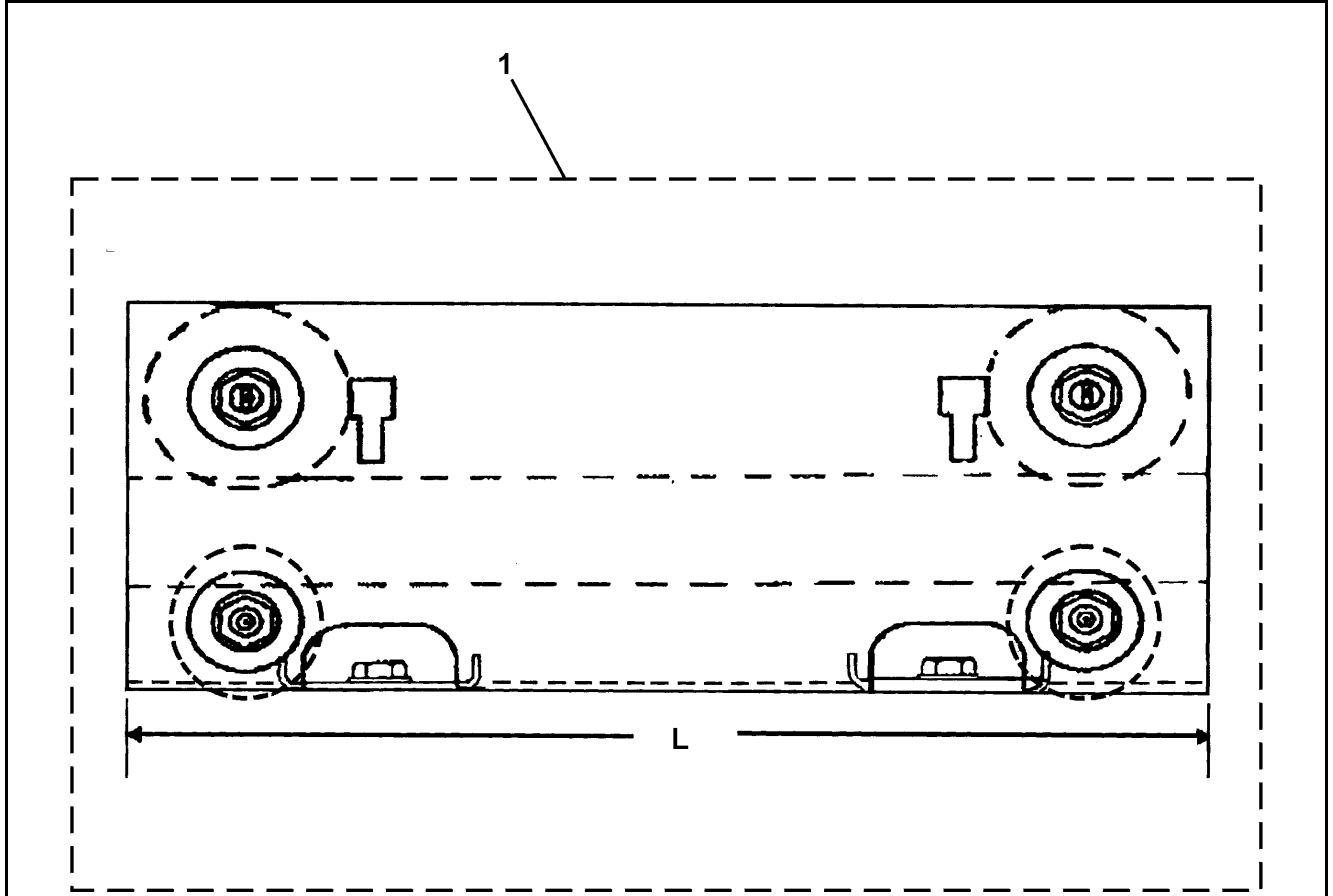
EW = Entrance Width

REF. NO.	W/O VINTAGE			DESCRIPTION
	PART or ML	EW	HAND	
1	6178CD15	42 in.	---	Assembly, Track, 69.3 L
	6178CD6	42 in.	☞	Assembly, Track, 69.7 L
	6178CD7	42 in.	☞	Assembly, Track, 69.7 L
	6178CD2	42 in.	☞	Assembly, Track, 85.7 L
	6178CD3	42 in.	☞	Assembly, Track, 85.7 L
	6178CD4	42 in.	☞	Assembly, Track, 97.7 L
	6178CD5	42 in.	☞	Assembly, Track, 97.7 L
	6178CD13 6178CD4 6178DE14 6178CD16	48 in.	---	Assembly, Track, 78.3 L Some Field Drilling Required
	6178CD8	48 in.	☞	Assembly, Track, 85.7 L
	6178CD9	48 in.	☞	Assembly, Track, 85.7 L
	6178CD10	48 in.	☞	Assembly, Track, 97.7 L
	6178CD11	48 in.	☞	Assembly, Track, 97.7 L
6178CD17	54 in.	---	Assembly, Track, 87.3 L	
2	320AB8	---	---	Bumper
**	AAA24430AT7	---	---	Kit, Refresh. Includes: Hanger and Upthrust Rollers, Gibs, Bumpers, Relating Clip
3	72DJ2	---	---	Nut, Grip
4	50ADF1-162	---	---	* Track, Fast, 162 in. L (shape only - field to cut & drill to suit)
	483RL2	42 in.	---	Track, Fast, 67.2 in. L
	483RL1	48 in.	---	Track, Fast, 76.2 in. L
	483RL3	54 in.	---	Track, Fast, 85.2 in. L
5	1S-50AKL-106	---	---	* Track, Slow, 106 in. L (formed header, shape only - field to cut & drill to suit)
6	130J11	---	---	Washer, Lock, Internal-External


\* NOTE: For other than standard tracks (Ref. 1), consult contract records.

\*\* Part not show

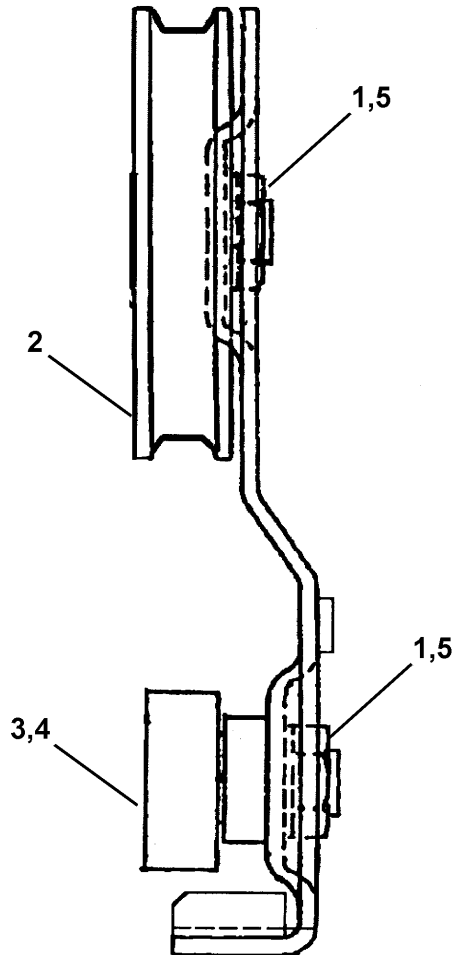




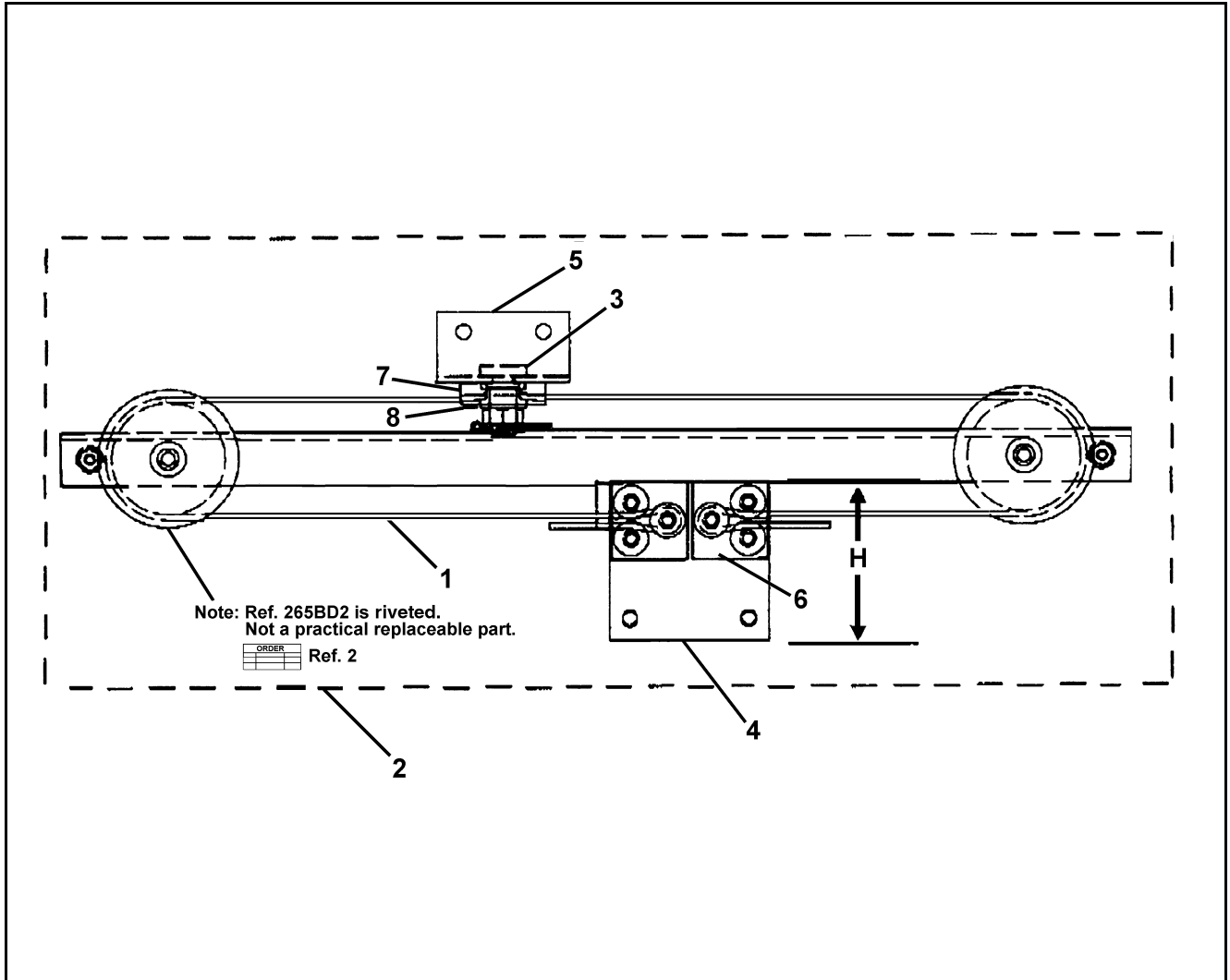
EW = Entrance Width

**NOTE:** For contract special lengths,  drawing 2-389BA.

<b>W/O VINTAGE</b>				
<b>REF. NO.</b>	<b>PART or ML</b>	<b>EW</b>	<b>LENGTH</b>	<b>DESCRIPTION</b>
1	389BA6	32 in.	31.5 in.	Assembly, Hanger, Single-Slide Door
	389BA8	36 in.	35.5 in.	Assembly, Hanger, Single-Slide Door
	389BA10	42 in.	41.5 in.	Assembly, Hanger, Single-Slide Door
	389BA12	36 in.	17.12 in.	Assembly, Hanger, Center-Opening Door
	389BA2	42 in.	20.12 in.	Assembly, Hanger, Center-Opening Door & Two-Speed Slow Door
	389BA4	48 in.	23.12 in.	Assembly, Hanger, Center-Opening Door & Two-Speed Slow Door
	389BA19	42 in.	20.12 in.	Assembly, Hanger, Two-Speed Fast Door
	389BA20	48 in.	23.12 in.	Assembly, Hanger, Two-Speed Fast Door
	389BA36	54 in.	26.12 in.	Assembly, Hanger, Two-Speed Slow Door
	389BA37	54 in.	26.12 in.	Assembly, Hanger, Two-Speed Fast Door



	<b>W/O VINTAGE</b>	
<b>REF. NO.</b>	<b>PART or ML</b>	<b>DESCRIPTION</b>
1	72AF2	Nut
2	456CX4	Roller, w/o Pin, Polyurethane Tire, 3.375 in. ⌀
	456EW1	Roller, w/ Integral Eccentric Pin, Polyurethane Tire, 3.375 in. ⌀
	456EW2	Roller, w/ Reversible Eccentric Pin, Polyurethane Tire, 3.375 in. ⌀
3	456CP1	Roller, Upthrust, Polyurethane Tire, 1.38 in. ⌀
4	456EK1	Roller, Upthrust, Polyurethane Tire, 1.38 in. ⌀ (for two-speed fast door, special shallow clearance)
5	Purchase Locally	Washer, Lock, 1/2 in.



REF. NO.	W/O VINTAGE PART or ML	DESCRIPTION	
1	174AS995	Aircord, <table border="1"><tr><td>ORDER</td></tr></table> Per Foot	ORDER
ORDER			
2	6178CG2	Assembly, Aircord, Complete, 42 in. Opening, 33.4 in. L	
	6178CG4	Assembly, Aircord, Complete, 42 in. Opening, 34.2 in. L	
	6178CG4	Assembly, Aircord, Complete, 48 in. Opening, 37.2 in. L	
	6178CG5		
	6178CG6	Assembly, Aircord, Complete, 54 in. Opening, 40.2 in. L	
3	65CN2	Bolt, T-Slotted	
4	316DEV1	Bracket, 3.01 in. H	
	316DEV2	Bracket, 3.08 in. H, Post-April 1998 Production	
5	316CTF2	Bracket	
6	386AKS1	Plate, Clamp	
7	231F1	Socket, Rope	
8	133BC1	Washer, Spring Seat	