

**Top-of-Car
Rear Work Light**

**Spare Parts Leaflet
17-AAA25580DQ**

February 19, 2025 / Page 1 of 3

17 A-AAA25580DQ



OTIS

This document does not contain any technical data subject to EAR or ITAR

**SERVICE ENGINEERING
Otis Elevator Company
Bloomfield, Connecticut USA**

Unpublished Work—© Otis Elevator Co.; 2025

History

17-AAA25580DQ

Leaflet Description

This leaflet covers all OSC-supported replacement parts for type AAA25580DQ rear work light used on G2S/G2O and HydroFit.

Leaflet Revisions

Date Revised	Subject Matter Expert	Reason for Revision
March 10, 2021	Jim Harte	New SPL
August 9, 2023	Paul Anthony	Updated dimension for light harness
February 19, 2025	Juan Murilo, Philip Buie	Added new cost-reduced lights AAA25580DQ5 & 6.

Related Drawings

Drawing No.	Title	Drawing No.	Title
AAA25580EB	Top-of-Car Rear Work Light	---	---
---	---	---	---

Related Documents

Document ID	Title
---	---

Subject Matter Expert

Name	Department
Jim Harte	New Equipment, Florence
Juan Murillo	Service Engineering, OSC

About Spare Parts Leaflets...

This document lists the lowest replaceable units (LRUs) for the standard version of the product. The LRUs are chosen by a team of Otis associates representing engineering and manufacturing.

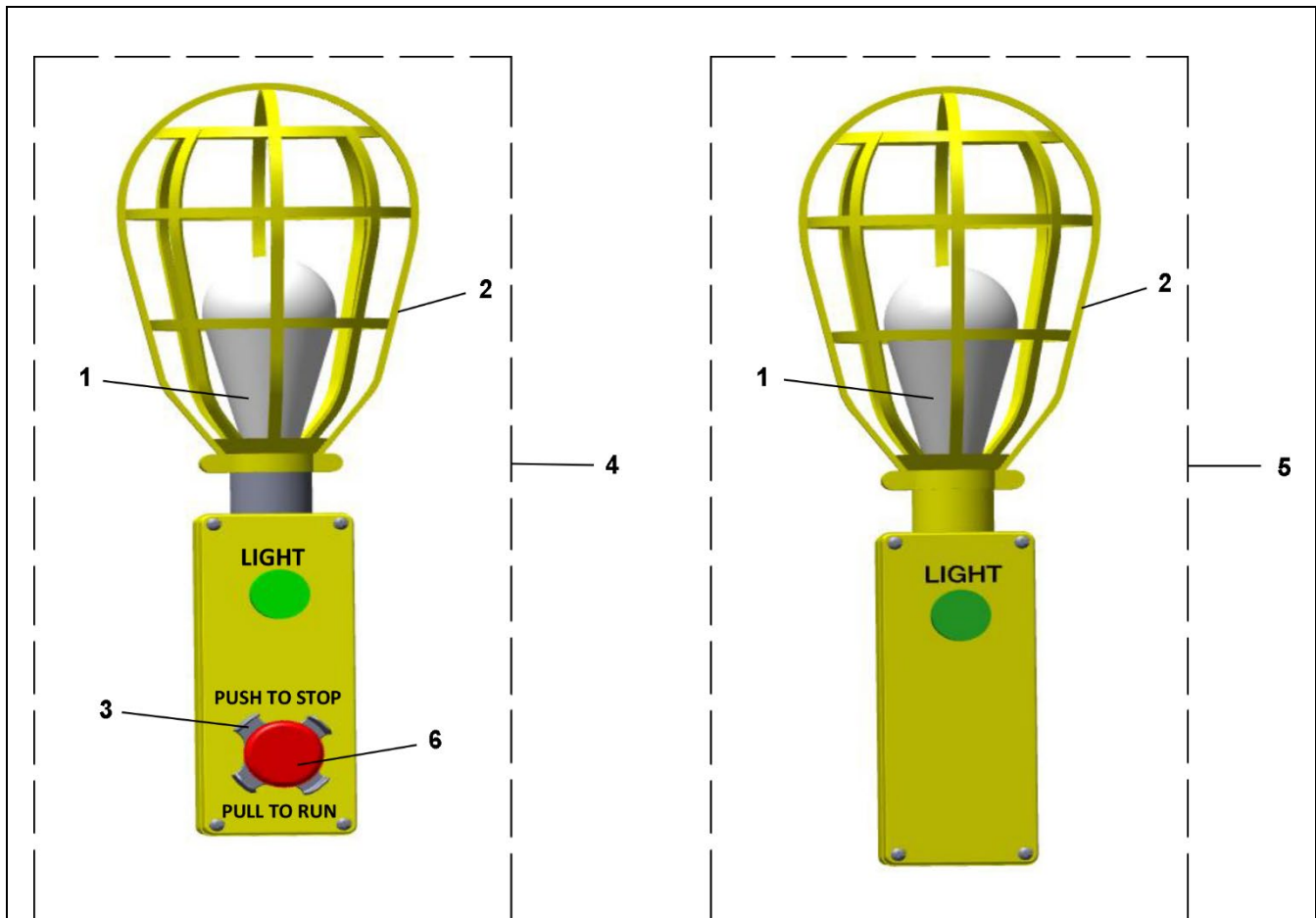
While goal of this document is to make parts identification as easy as possible, the document cannot be all-inclusive. Elevator and escalator contracts classified as "special" or "custom" are not addressed here. For such contracts, please refer to specified information, the contract folder, TIPs, Field Education Articles, Construction Letters, etc. for further information.

If you have any suggestions about this document, please contact the subject matter expert listed on this page.

Top-of-Car Rear Work Light

17-AAA25580DQ

Type AAA25580DQ



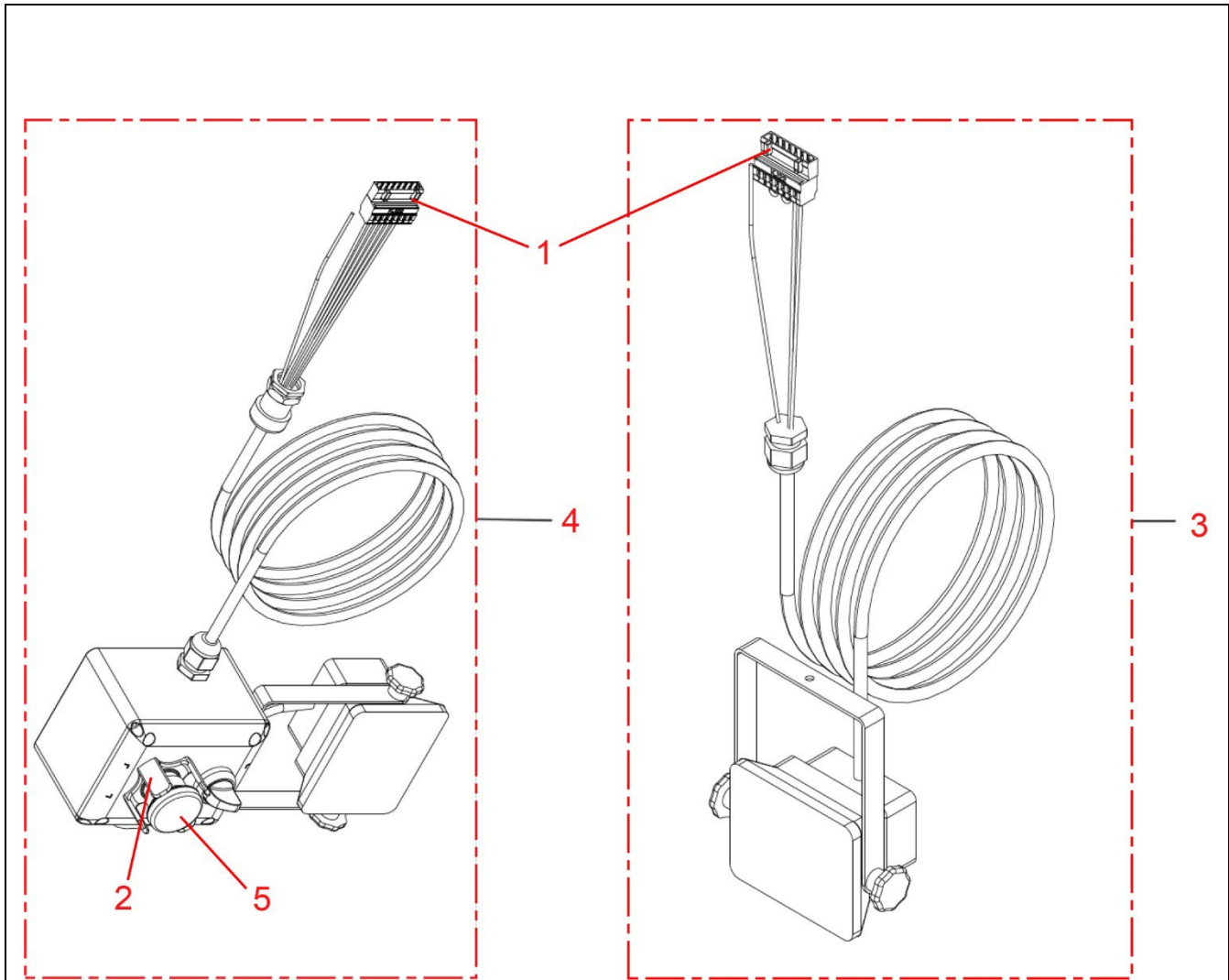
AAA25580DQ			
REF. No.	PART No.	DESCRIPTION	USED
1	6599D14	Bulb, Light	AAA25580DQ1, 2, 3, & 4
*	AAA176HH321	Connector, KJ22	AAA25580DQ1, 2, 3, & 4
*	AAA635L17	Contacts, NC, Stop Switch	AAA25580DQ1 & 3
2	AAA384ABX2	Guard, Light	AAA25580DQ1, 2, 3, & 4
3	AAA635L106	Guard, Stop Switch	AAA25580DQ1 & 3
4	AAA25580DQ1	Light, Work, Rear *Includes: Flex Conduit and Harness L 762 mm	G2S/HYD w/ Rear Entrance
	AAA25580DQ3	Light, Work, Rear *Includes: Flex Conduit and Harness L 203 mm	G2O w/ Rear Entrance
5	AAA25580DQ2	Light, Work, Rear *Includes: Flex Conduit and Harness L 203 mm	G2O w/ Rear Entrance
	AAA25580DQ4	Light, Work, Rear *Includes: Flex Conduit and Harness L 762 mm	G3C w/o Rear Entrance
6	AAA635L105	Switch, Stop	AAA25580DQ1 & 3

* Not shown.

Top-of-Car Rear Work Light

Type AAA25580DQ

17-AAA25580DQ



AAA25580DQ			
REF. No.	PART No.	DESCRIPTION	USED
1	AAA176HH321	Connector, KJ22	AAA25580DQ5 & AAA25580DQ6
*	AAA635L17	Contacts, NC, Stop Switch	AAA25580DQ6
2	AAA635L106	Guard, Stop Switch	
3	AAA25580DQ5	Light, Work, Rear. *Includes 7620 mm L Harness	G2O, G3C w/ Rear Entrance
4	AAA25580DQ6	Light, Work, Rear. *Includes 7620 mm L Harness	G2S, HYD, G2O, G3C w/Rear Entrance
5	AAA635L105	Switch, Stop	AAA25580DQ6

* Not Shown