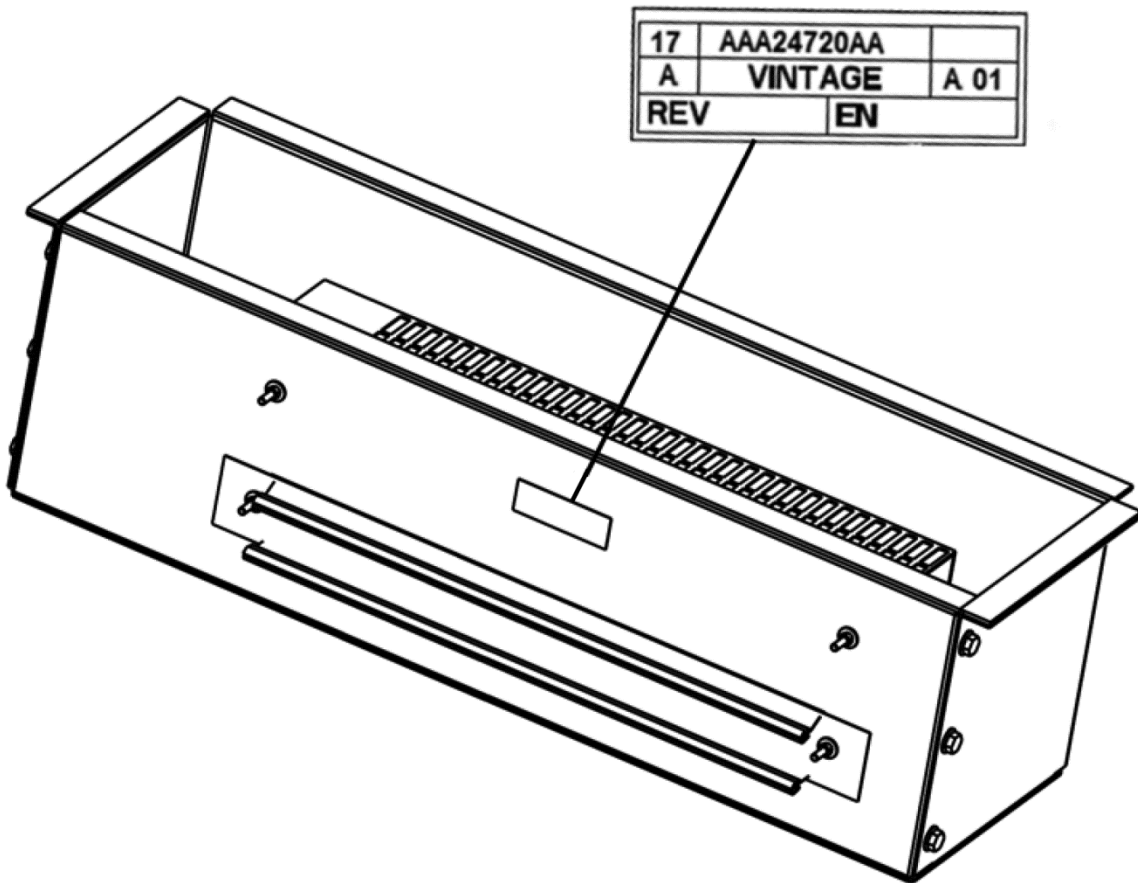


Top-of-Car
Fan Assembly

Spare Parts Leaflet

17-AAA24720AA

November 4, 2014 / Page 1 of 3



OTIS

SERVICE ENGINEERING
Otis Elevator Company
Bloomfield, Connecticut USA

Unpublished Work—© Otis Elevator Co.; 2014

Leaflet Description

This leaflet provides information on top-of-car fan assembly AAA24720AA, first used as a replacement for the obsolete AAA24720Q fan assembly. Currently, the AAA24720AA1 fan assembly can only replace the AAA24720Q1 fan assembly. Please see TIP 20.7-2 for further details.

Leaflet Revisions

Date Revised	Subject Matter Expert	Reason for Revision
November 4, 2014	Kyle Pereira	New SPL

Related Drawings

Drawing No.	Title	Drawing No.	Title
AAA24720AA	Assembly, Fan		

Related Documents

Document ID	Title
TIP 20.7-2	<i>Top-of-Car Fan AAA24720Q Replacement</i>

Subject Matter Expert

Name	Department
Kyle Pereira	OSC Service Engineering

About Spare Parts Leaflets...

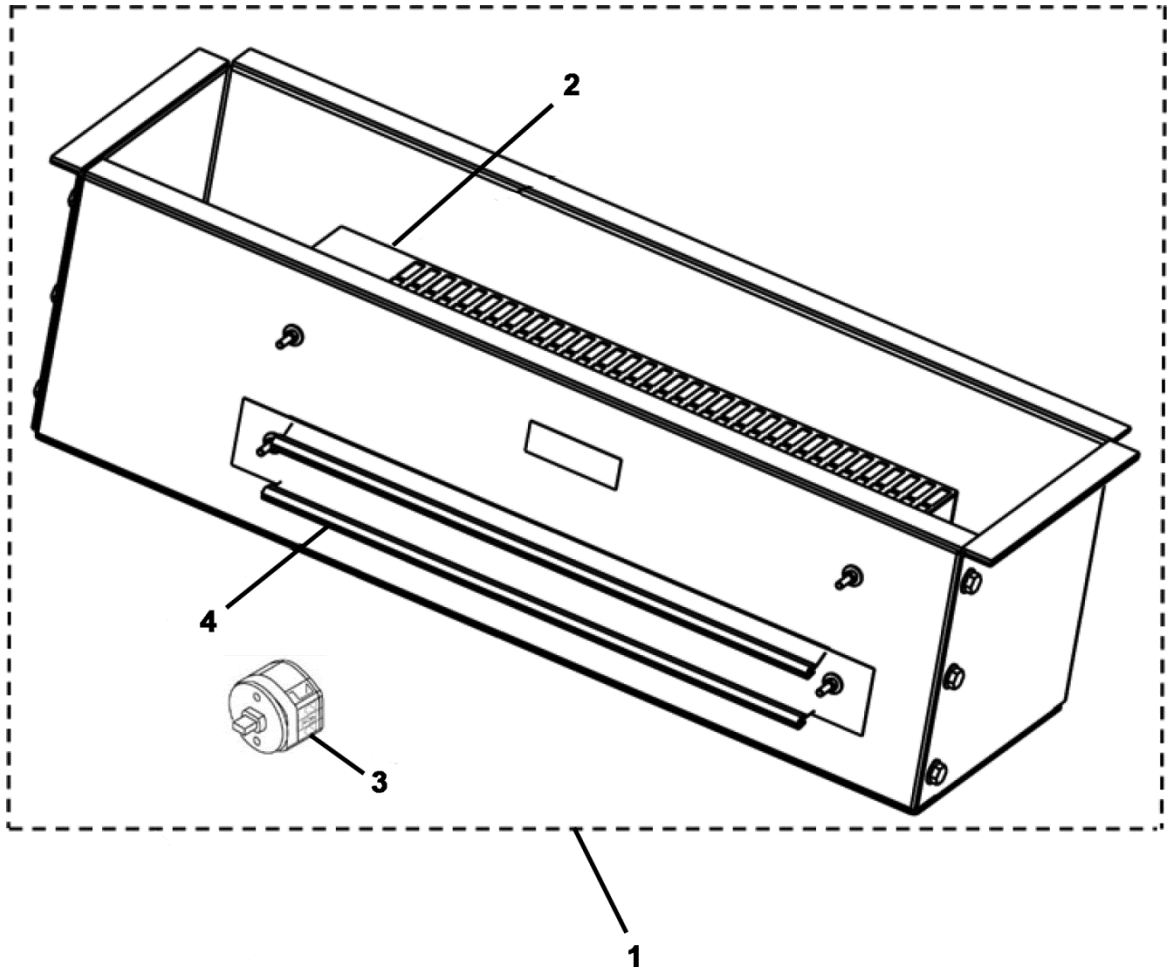
This document lists the lowest replaceable units (LRUs) for the standard version of the product. The LRUs are chosen by a team of Otis associates representing engineering and manufacturing.

While goal of this document is to make parts identification as easy as possible, the document cannot be all-inclusive. Elevator and escalator contracts classified as “special” or “custom” are not addressed here. For such contracts, please refer to specified information, the contract folder, TIPs, Field Education Articles, Construction Letters, etc. for further information.

If you have any suggestions about this document, please contact the subject matter expert listed on this page.

Fan Assembly

17-AAA24720AA



REF. No.	PART No.	DESCRIPTION
1	AAA24720AA1	Assembly, Fan
2	AAA24720S2	Fan
3	ABA636A24	Keyswitch, COP
4	AAA402ZY3	Trim, Protective