

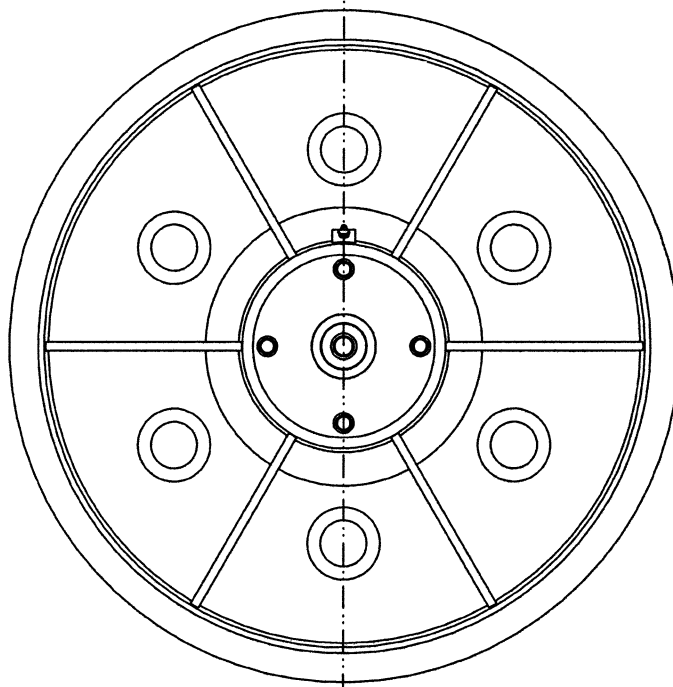
**2:1 Counterweight
(CWT) Sheave
Assembly**

Spare Parts Leaflet

16-AAA25870G

October 30, 2024 / Page 1 of 8

W/O VINTAGE



OTIS

This document does not contain any
technical data subject to EAR or ITAR

SERVICE ENGINEERING
Otis Elevator Company
Bloomfield, Connecticut USA

Unpublished Work—© Otis Elevator Co.; 2024

Leaflet Description

The AAA25870G drawing titled “Assembly: 2:1 Counterweight Sheave” is dated 200-02-01 and does not have a vintage associated with it. However, this leaflet provides for type AAA25870G counterweight sheave assemblies installed on AAA6055CE counterweights used on MVS and HVS system machines.

Leaflet Revisions

Date Revised	Subject Matter Expert	Reason for Revision
October 15, 2005	Sean Mismas	New SPL
October 1, 2008	Val Sheynkman	Corrected errors on p. 8
June 27, 2018	Gary Mendrala	Corrected p/n A266AM8 description on p. 4; Updated document template
October 30, 2024	Gary Mendrala	Corrected diameter of ropes A266AG9, _10, _15 to 1/2”

Related Drawings

Drawing No.	Title	Drawing No.	Title
AAA25870G	Assembly; 2:1 Counterweight Sheave	---	---

Related Documents

Document ID	Title
SPL 16-AAA20700C	Overhead Sheave Assemblies
SPL 16-A6612J	2:1 Sheaves: Common Hub Components

Subject Matter Expert

Name	Department
Gary Mendrala	OSC Service Engineering

About Spare Parts Leaflets...

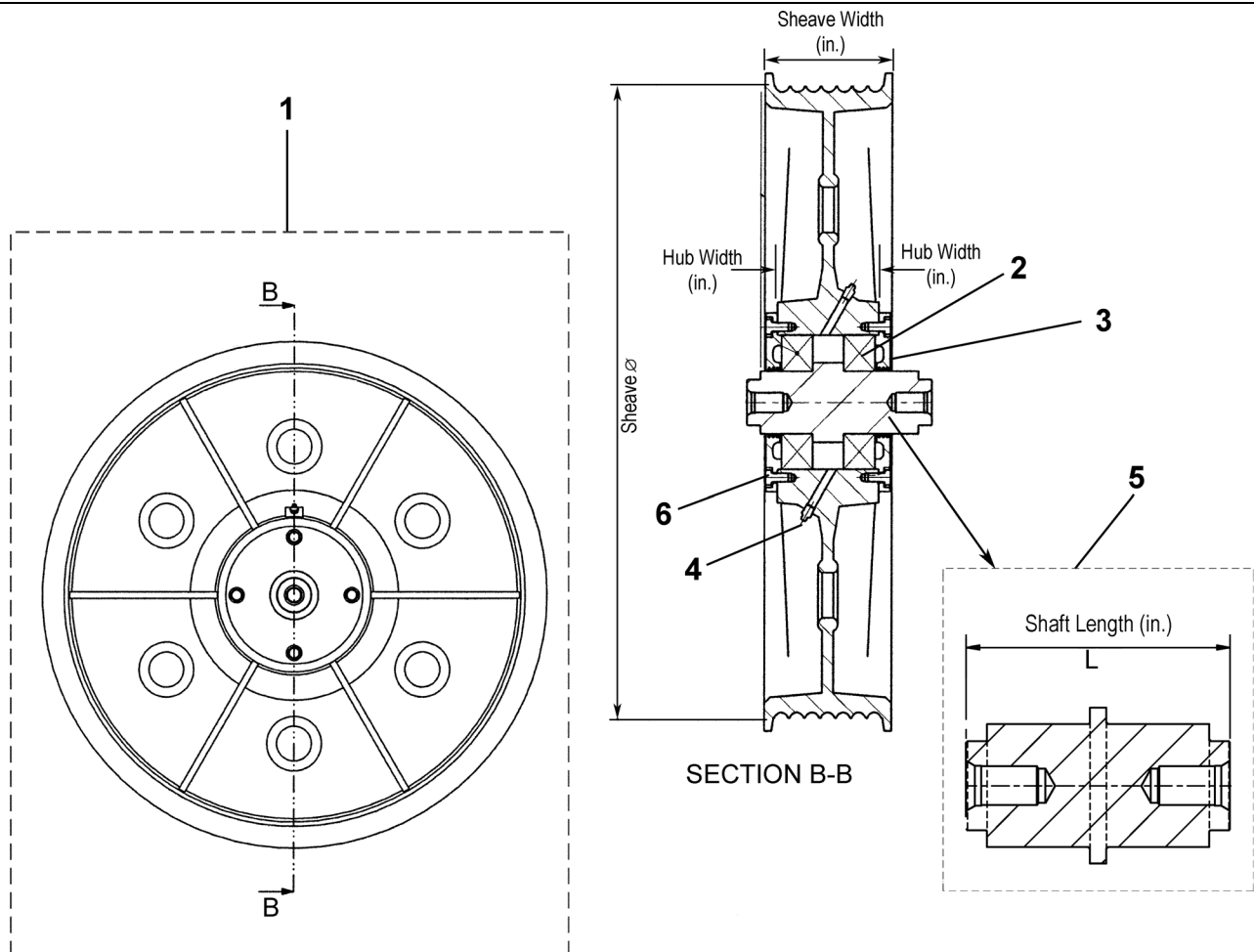
This document lists the lowest replaceable units (LRUs) for the standard version of the product. The LRUs are chosen by a team of Otis associates representing engineering and manufacturing.

While goal of this document is to make parts identification as easy as possible, the document cannot be all-inclusive. Elevator and escalator contracts classified as “special” or “custom” are not addressed here. For such contracts, please refer to specified information, the contract folder, TIPs, Field Education Articles, Construction Letters, etc. for further information.

If you have any suggestions about this document, please contact the subject matter expert listed on this page.

Counterweight Sheave Assembly

16-AAA25870G



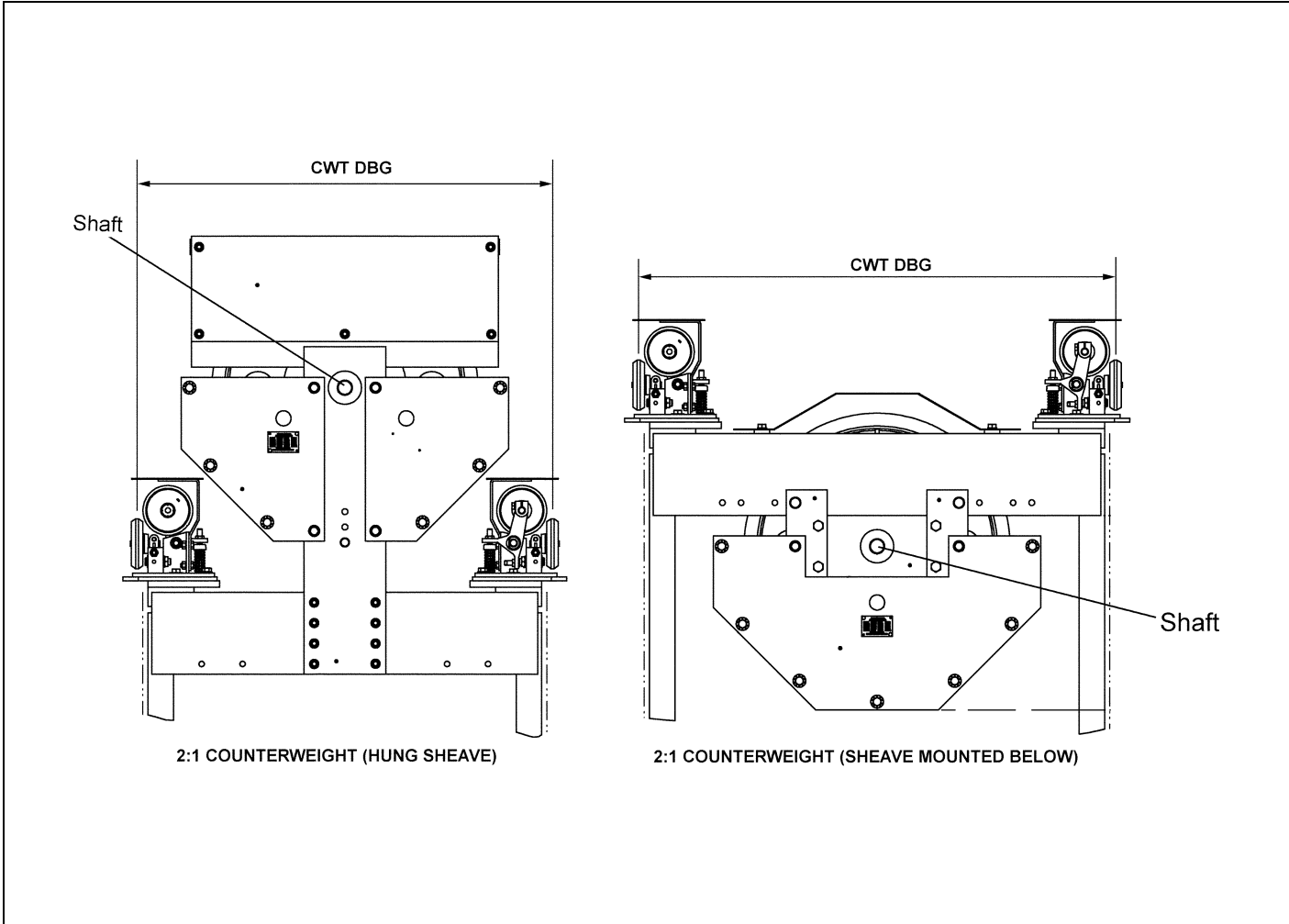
NOTE: Verify casting number on sheave before ordering.

W/O VINTAGE		
REF. No.	PART No.	DESCRIPTION
1	---	Assembly, Sheave. See pages 4-8 for details.
2	209J4	Bearing
	209J11	Bearing, Used with AAA25870G308 Arrangement and 495DB1 Shaft. See page 6 for details.
3	346PJ4	Cover, Bearing
	346AKB1	Cover, Bearing, Used with AAA25870G308 Arrangement and 495DB1 Shaft. See page 6 for details.
4	435C1	Fitting, Grease
5	---	Shaft. See pages 4–8 for details.
6	---	Bolt, 3/8-16 x 3/4 Hex ZP
	---	Lockwasher, 3/8 Internal ZP

20.5- & 22-inch Dia. CWT

16-AAA25870G

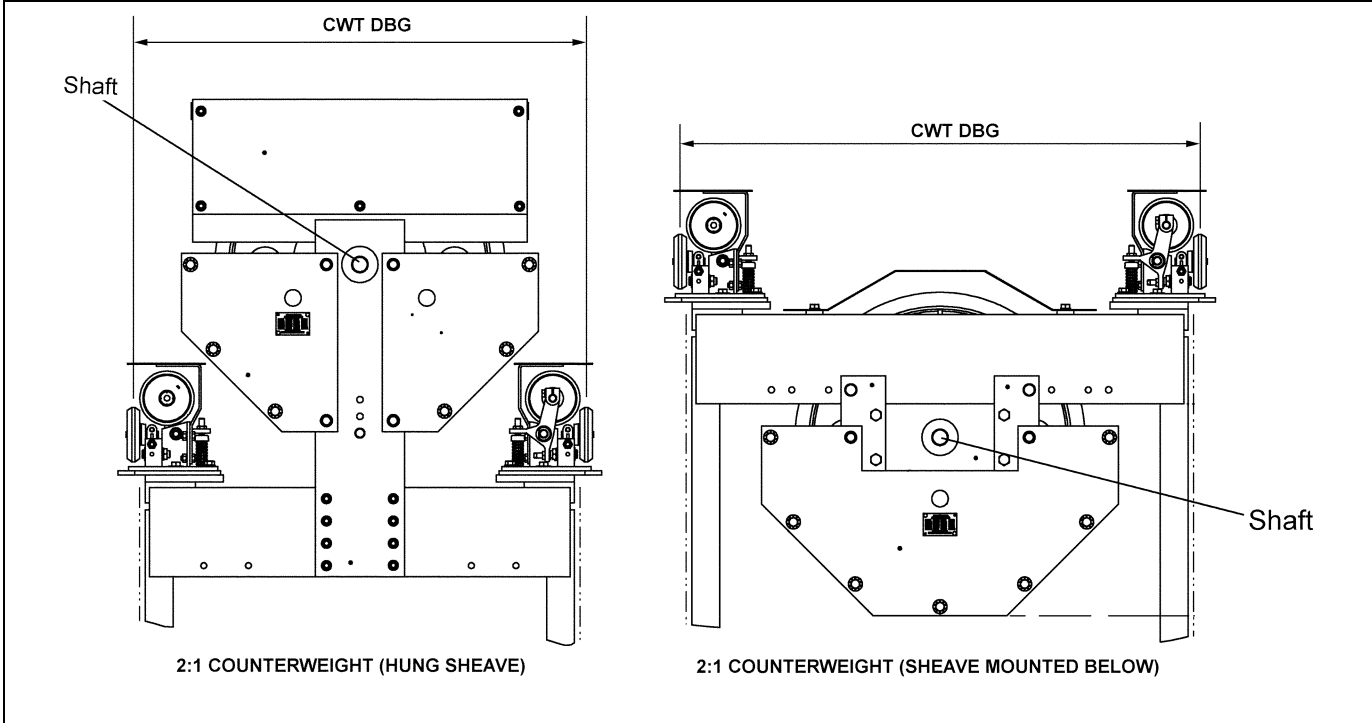
Sheave Assembly



SHEAVE DIA. (in.)	SHEAVE WIDTH (in.)	HUB WIDTH (in.)	SHEAVE P/N	(No. of ROPE) & ROPE DIA. (in.)	SHAFT P/N (length)	BEARING P/N	SHEAVE (HUNG or BELOW)	(Ref.) CWT DBG (in.)
20.5	4.7	3.5	266BK1	(4) 1/2	A495AZ16 (6.93 in.)	209J4	Below	33.5 or 41.25
			266BK2	(5) 1/2				
			266BK3	(6) 1/2				
			266BK1	(4) 1/2	A495AZ12 (5.93 in.)		Hung	31.5 or 41.25
			266BK2	(5) 1/2				
			266BK3	(6) 1/2				
22	4.1	4.5	A266AM8	(5) 1/2	A495AZ2 (6.93 in.)	209J4	Below	39.5
	4.75	4.5	A266AG9	(6) 1/2				
	5.6	4.5	A266AG10	(7) 1/2				
	5.6	4.5	A266AG15	(8) 1/2	A495AZ16 (6.93 in.)		Below	39.5 or 41.25
	4.1	3.5	A266AM22	(4) 1/2				
	4.1	3.5	A266AM23	(5) 1/2				
	4.75	3.5	266BL1	(6) 1/2				

25-inch Dia. CWT Sheave Assembly

16-AAA25870G

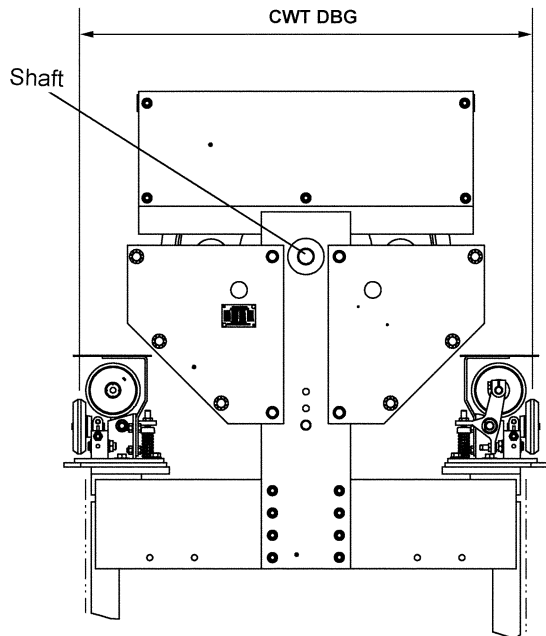


SHEAVE DIA. (in.)	SHEAVE WIDTH (in.)	HUB WIDTH (in.)	SHEAVE P/N	(No. of ROPE) & ROPE DIA. (in.)	SHAFT P/N (length)	BEARING P/N	SHEAVE (HUNG or BELOW)	(Ref.) CWT DBG (in.)
25	5.6	4.5	AAA266BV1	(5) 1/2	A495AZ8 (7.93 in.)	209J4	Hung	33.5 or 39.5
			AAA266BV2	(6) 1/2				
			AAA266BV3	(7) 1/2				
			AAA266BV4	(8) 1/2				
			AAA266BV5	(5) 5/8				
			AAA266BV6	(6) 5/8				
			AAA266BV7	(7) 5/8				
			AAA266BV1	(5) 1/2	A495AZ2 (6.93 in.)			45.5
			AAA266BV2	(6) 1/2				
			AAA266BV3	(7) 1/2				
			AAA266BV4	(8) 1/2				
			AAA266BV5	(5) 5/8				
			AAA266BV6	(6) 5/8				
			AAA266BV7	(7) 5/8				
			AAA266BV1	(5) 1/2	A495AZ3 (7.18 in.)		51.5	
			AAA266BV2	(6) 1/2				
			AAA266BV3	(7) 1/2				
			AAA266BV4	(8) 1/2				
			AAA266BV5	(5) 5/8				
			AAA266BV6	(6) 5/8				
			AAA266BV7	(7) 5/8				

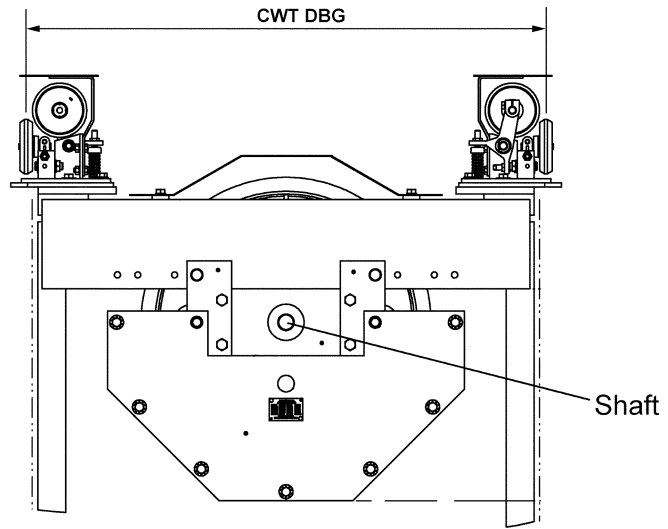
(Continued on next page)

25-inch Dia. CWT Sheave Assembly

16-AAA25870G



2:1 COUNTERWEIGHT (HUNG SHEAVE)

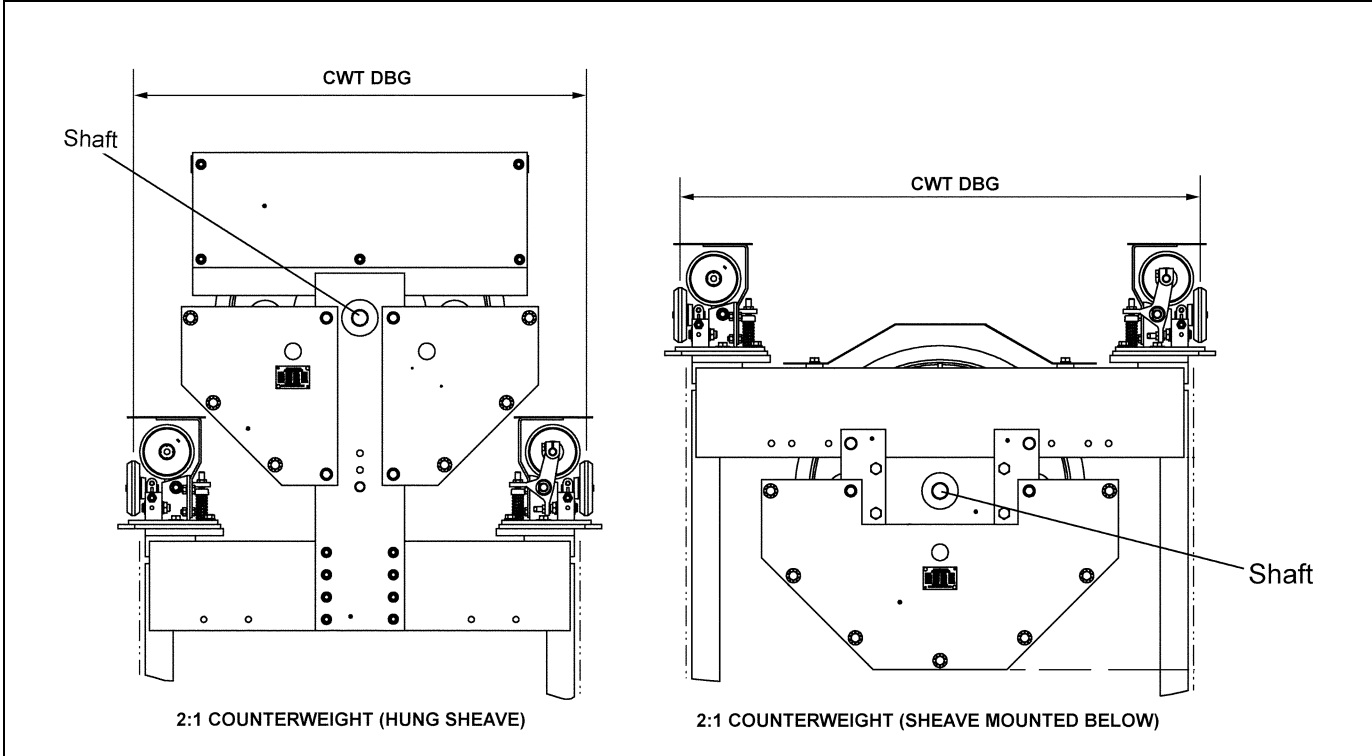


2:1 COUNTERWEIGHT (SHEAVE MOUNTED BELOW)

SHEAVE DIA. (in.)	SHEAVE WIDTH (in.)	HUB WIDTH (in.)	SHEAVE P/N	(No. of ROPE) & ROPE DIA. (in.)	SHAFT P/N (length)	BEARING P/N	SHEAVE (HUNG or BELOW)	(Ref.) CWT DBG (in.)		
25	4.7	3.5	266BG2	(4) 1/2	495DB1 (5.93 in.)	209J11	Hung	31.5 or 41.25		
			266BG3	(5) 1/2						
			266BG4	(6) 1/2						
			266BG5	(4) 5/8						
			266BG6	(5) 5/8						
			266BG7	(4) 1/2						
	5.5	3.5	266BG8	(5) 1/2	A495AZ16 (6.93 in.)	209J4	Below or Hung	33.5, 39.5, or 41.25		
			266BG9	(6) 1/2						
			266BG11	(7) 1/2						
			266BG12	(8) 1/2				A495AZ20 (7.93 in.)	Hung	39.5

28-inch Dia. CWT Sheave Assembly

16-AAA25870G



SHEAVE DIA. (in.)	SHEAVE WIDTH (in.)	HUB WIDTH (in.)	SHEAVE P/N	(No. of ROPE) & ROPE DIA. (in.)	SHAFT P/N (length)	BEARING P/N	SHEAVE (HUNG or BELOW)	(Ref.) CWT DBG (in.)	
28	5.6	4.5	A266AJ23	(5) 1/2	A495AZ2 (6.93 in.)	209J4	Hung	45.5	
			A266AJ8	(6) 1/2					
			A266AJ28	(7) 1/2					
			A266AJ25	(8) 1/2					
			A266AJ9	(5) 5/8					
			A266AJ10	(6) 5/8					
			A266AJ24	(7) 5/8					
			A266AJ23	(5) 1/2	A495AZ8 (7.93 in.)				33.5 or 39.5
			A266AJ8	(6) 1/2					
			A266AJ28	(7) 1/2					
			A266AJ25	(8) 1/2					
			A266AJ9	(5) 5/8					
	A266AJ10	(6) 5/8							
	A266AJ24	(7) 5/8							
	4.7	3.5	266BH7	(4) 1/2	A495AZ12 (5.93 in.)	33.5			
266BH6			(5) 1/2						
266BH8			(6) 1/2	39.5					

(Continued on next page)

28-inch Dia. CWT Sheave Assembly

16-AAA25870G

SHEAVE DIA. (in.)	SHEAVE WIDTH (in.)	HUB WIDTH (in.)	SHEAVE P/N	(No. of ROPE) & ROPE DIA. (in.)	SHAFT P/N (length)	BEARING P/N	SHEAVE (HUNG or BELOW)	(Ref.) CWT DBG (in.)
28	5.6	4.5	A266AJ23	(5) 1/2	A495AZ2	209J4	Below	45.5 or 51.5
			A266AJ8	(6) 1/2	(6.93 in.)			
			A266AJ28	(7) 1/2	or			
			A266AJ25	(8) 1/2	A495AZ3			
			A266AJ9	(5) 5/8	(7.18 in.)			
			A266AJ10	(6) 5/8	(w/o rope compensation)			
			A266AJ24	(7) 5/8	A495AZ3			51.5
			A266AJ23	(5) 1/2	(7.18 in.)			
			A266AJ8	(6) 1/2	(w/o rope compensation)			
			A266AJ28	(7) 1/2	or			
			A266AJ25	(8) 1/2	A495AZ15			
			A266AJ9	(5) 5/8	(8.18 in.)			
			A266AJ10	(6) 5/8	Offset Sheave			45.5, 51.5, or 57.5
			A266AJ24	(7) 5/8	A495AZ11			
			A266AJ23	(5) 1/2	(8.18 in.)			
			A266AJ8	(6) 1/2				
			A266AJ28	(7) 1/2				
			A266AJ25	(8) 1/2				
A266AJ9	(5) 5/8							
A266AJ10	(6) 5/8							
A266AJ24	(7) 5/8							