

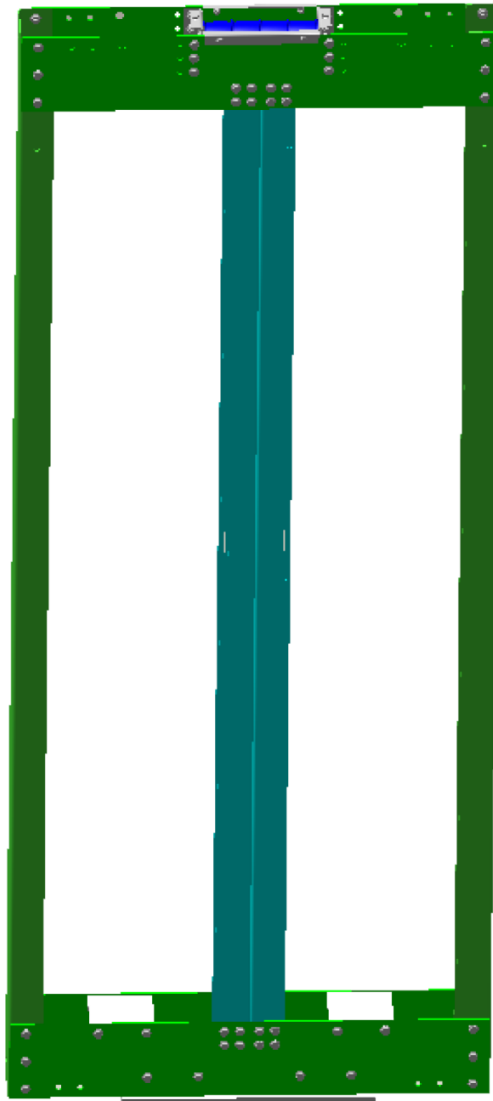
**Counterweight Assembly
2100, 2500, 3000, 3500,
4000, 4500, 5000 Duty**

Spare Parts Leaflet

16-AAA25700AM

June 17, 2020 / Page 1 of 5

16 H - AAA25700AM



OTIS

This document does not contain any
technical data subject to EAR or ITAR

SERVICE ENGINEERING

Otis Elevator Company

Bloomfield, Connecticut USA

Unpublished Work—© Otis Elevator Co.; 2020

Leaflet Description

This leaflet provides information for replacement components for the Gen2 Underslung counterweights. The sheave shaft assemblies utilize two tapped holes as the anti-rotation mechanisms vs. the key plate and slot arrangement of previous designs.

Leaflet Revisions

| Date Revised | Subject Matter Expert | Reason for Revision |
|---------------------|------------------------------|---|
| July 4, 2012 | Rose Lorenzo | New SPL |
| July 31, 2013 | Gary Mendrala | Added reference to sliding guide |
| September 28, 2016 | Gary Mendrala | Incorporated CN659145: AAA386MMD3 |
| November 9, 2016 | Gary Mendrala | Incorporated CN849363: AAA384AVZ3 |
| February 1, 2017 | Gary Mendrala | Corrected related drawings list on history page |
| June 17, 2020 | Juan Murillo | Added p/n FAA320FC6 |

Related Drawings

| Drawing No. | Title | Drawing No. | Title |
|--------------------|-------------------------|--------------------|--------------------|
| AAA25700AM | Assembly, Counterweight | AAA384AVZ | Sheave Guard |
| AAA20780W | Sheave Assembly | AAA386MSR | Plate Sheave Guard |
| FAA320R | Buffer | AAA386MMD | Plate |
| FAA320FC | Buffer | AAA380CE | Gib |
| AAA24179F | Sliding Guides | | |

Related Documents

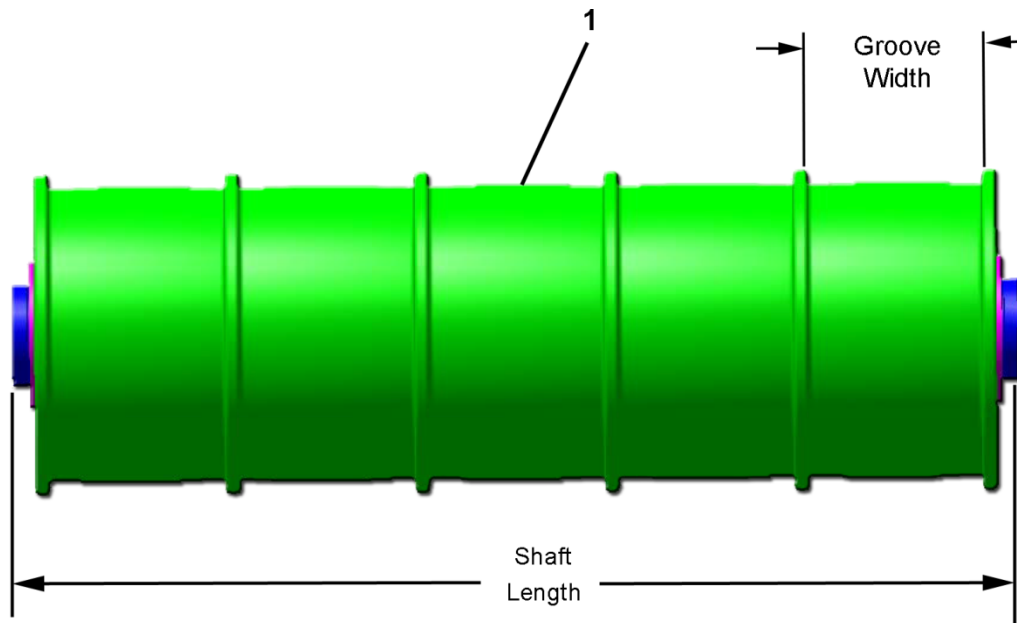
| Document ID | Title |
|--------------------|---|
| SPL 03-FAA320FC | Buffer for Gen2 ASME A17.1:2016 |
| SPL 03-FAA320R | Buffer |
| SPL 16-AAA25700AH | Gen2 Counterweight 2:1 |
| SPL 16-AAA25700AG | Gen2 Counterweight 2:1 Gen2 Underslung |
| SPL 16-FAA25700BX | Gen2 953, 1134 kg Duty Counterweight |
| SPL 14-AAA24179F | Gen2L Counterweight Sliding Guides |
| TIP 18.2-3 | Gen2 Underslung Counterweight Sliding Guide Replacement |

Subject Matter Expert

| Name | Department |
|--------------|-------------------------|
| Juan Murillo | OSC Service Engineering |

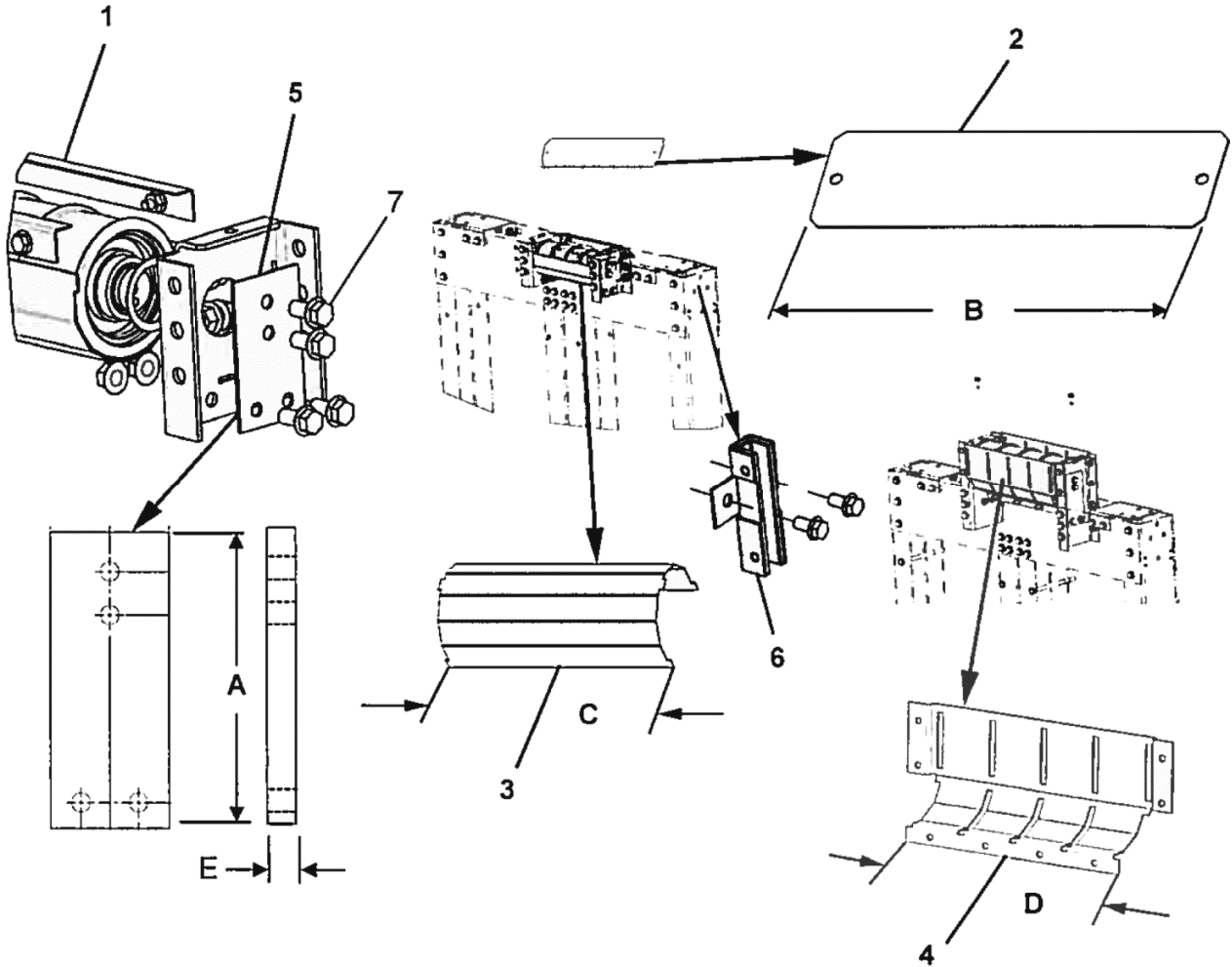
Sheave Assembly


16-AAA25700AM



NOTE: These sheave assembly arrangements do not utilize slotted shafts as an anti-rotation mechanism. Tapped holes in the shaft ends are used to prevent rotation.

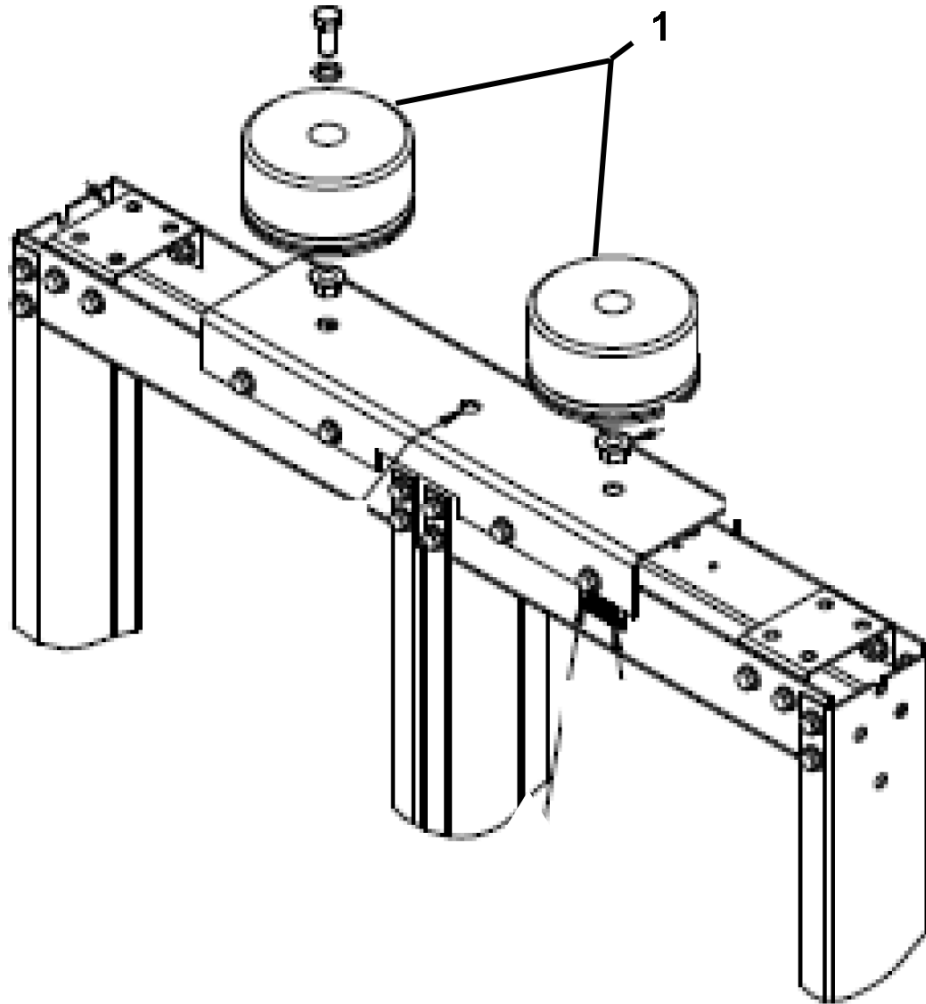
| AAA25700AM | | | |
|------------|-------------|---|--------------|
| REF. No. | PART No. | DESCRIPTION | GROOVE WIDTH |
| 1 | AAA20780P8 | Assembly, Sheave, 4-Groove (Shaft Length = 11.02 in.) | 60 mm |
| | AAA20780P9 | Assembly, Sheave, 5-Groove (Shaft Length = 13.58 in.) | 60 mm |
| | AAA20780W9 | Assembly, Sheave, 4-Groove (Shaft Length = 15.86 in.) | 90 mm |
| | AAA20780W10 | Assembly, Sheave, 5-Groove (Shaft Length = 19.60 in.) | 90 mm |




| AAA25700AM | | |
|------------|--------------|---|
| REF. No. | PART No. | DESCRIPTION |
| 1 | AAA283BHK1 | Angle, Sheave Guard (used with AAA20780P8) |
| | AAA283BHK2 | Angle, Sheave Guard (used with AAA20780P9) |
| 2 | AAA386MMF1 | Guard, Sheave B = 12.80 in. (used with AAA20780P8) |
| | AAA386MMF2 | Guard, Sheave B = 15.35 in. (used with AAA20780P9) |
| | AAA386MSR1 | Guard, Sheave B = 17.51 in. (used with AAA20780W9) |
| | AAA386MSR2 | Guard, Sheave B = 21.65 in. (used with AAA20780W10) |
| 3 | AAA384AWH1 | Guard, Sheave C = 10.78 in. (used with AAA20780P8) |
| | AAA384AWH2 | Guard, Sheave C = 13.34 in. (used with AAA20780P9) |
| 4 | AAA384AVZ1 | Guard, Sheave D = 15 in. (used with AAA20780W9) |
| | AAA384AVZ2 | Guard, Sheave D = 18.74 in. (used with AAA20780W10) |
| | AAA384AVZ3 | Guard, Sheave D = 18.31 in. (used with AAA20780W10) |
| 5 | AAA386MMD1 | Plate, Shaft, Retaining A = 4.72 in., E = 0.1084 in. (used with AAA20780P) |
| | AAA386MMD2 | Plate, Shaft, Retaining A = 6.69 in., E = 0.1084 in. (used with AAA20780W) |
| | AAA386MMD3 | Plate Shaft, Retaining A = 4.72 in., E = 0.25 in. (used with AAA20780P) |
| 6 | --- | Sliding Guide,  SPL 14-AAA24179F |
| 7 | NON1241M8X20 | H.H.C.S. w/ Serrated Flange E = 0.1084 in. |
| | NON1241M8X25 | H.H.C.S. w/ Serrated Flange E = 0.25 in. |

Buffer

16-AAA25700AM



| REF. No. | PART No. | DESCRIPTION |
|----------|------------------------|--|
| 1 | AAA25700AM FAA320R3 | Buffer, Type FAA320FC,  SPL 03-FAA320FC |