

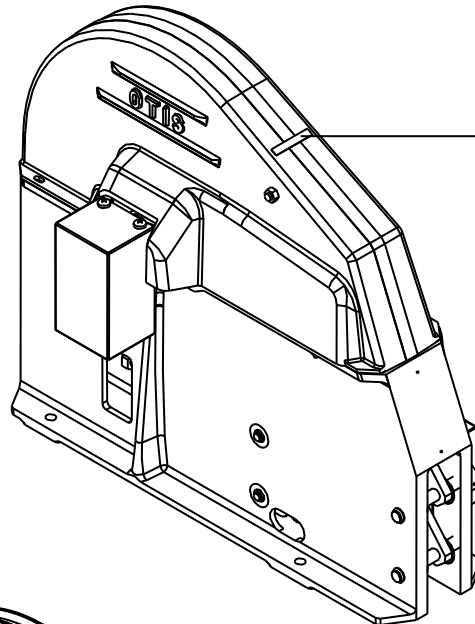
**Type 7063E  
Governor**

**Spare Parts Leaflet**



**15-JAA20610AAA**

**May 29, 2024 / Page 1 of 23**

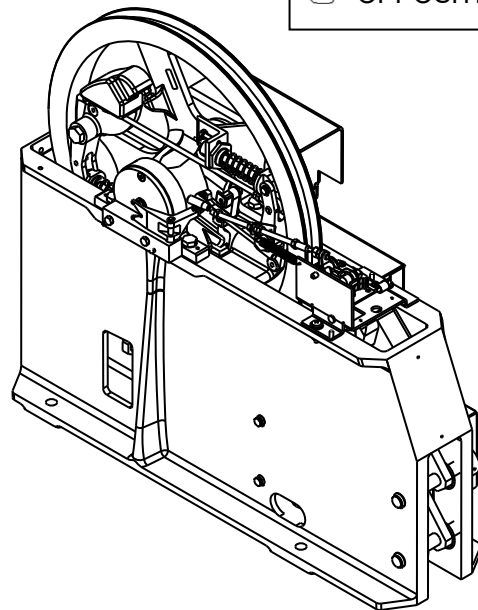
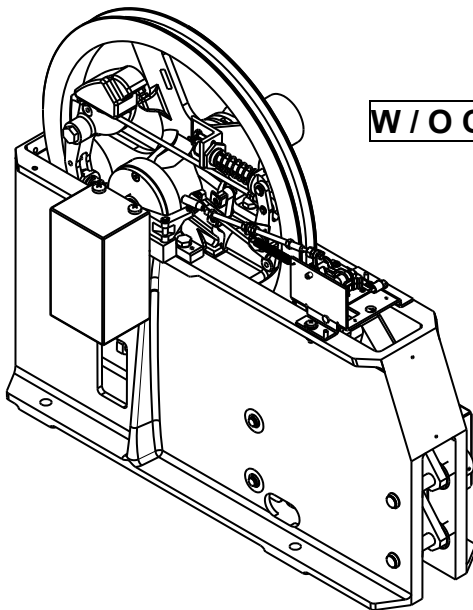
**W / COVER**



**15 J-JDA20610AAA**

 AS SHOWN  
 OPPOSITE

**W / O COVER**



Unpublished Work—© Otis Elevator Co.

**OTIS**

**Safety First!**

**SERVICE ENGINEERING**

**Otis Elevator Company  
Shibayama Factory, Japan**

<b>History</b>
<b>15-JAA20610AAA</b>
<b>First Published: January 2002</b>

<b>TYPE 7063E GOVERNOR</b>
--------------------------------

REVISED DATE	AUTHOR	PRIMARY REASON FOR REVISION
January 31, 2002	Yamaoka, Takayuki	New SPL
August 25, 2011	Yamaoka, Takayuki	Up Date : Revised Edition.
July 3, 2013	Yamaoka, Takayuki	<ul style="list-style-type: none"> <li>• Changed sheave no. was JAA267AAL1.</li> <li>• Error corrected(CODE : EK⇒KC)</li> <li>• Added encoder arr.(KAA633AAB2)</li> <li>• Added assembly arr.(JDA20610AAA16, 17, 213)</li> </ul>
Jan 21, 2016	Yamaoka, Takayuki	<ul style="list-style-type: none"> <li>• Changed cover 346AHC ⇒ JAA346DAG</li> <li>• Changed encoder JBA633ABK ⇒ JBB633ABK</li> </ul>
Apr. 7, 2020	Ueno, kiyotaka	Changed 495CJ1⇒JAA495AET5, JAA00495AAA001⇒JAA495AET4 (p.11) JAA398AAB3⇒JAA398AAM1 (p.19)
May 29, 2024	Jordan Thomas	Changing title from “Type CB7063E Governor” to “Type 7063E Governor” for clarity.

### ***Leaflet Description***

This leaflet provides spare parts information for C7063E GOVERNOR.

RELATED LEAFLET NUMBERS	TITLES
---	---
---	---

DRAWING REFERENCES		
JDA20610AAA	JCA21430AAD	7063Y (for B Governor)
JCA20610AAD (for C Governor)	7063J	JAA21430AAH





RELATED DOCUMENT NUMBERS	TITLES
---	---
---	---

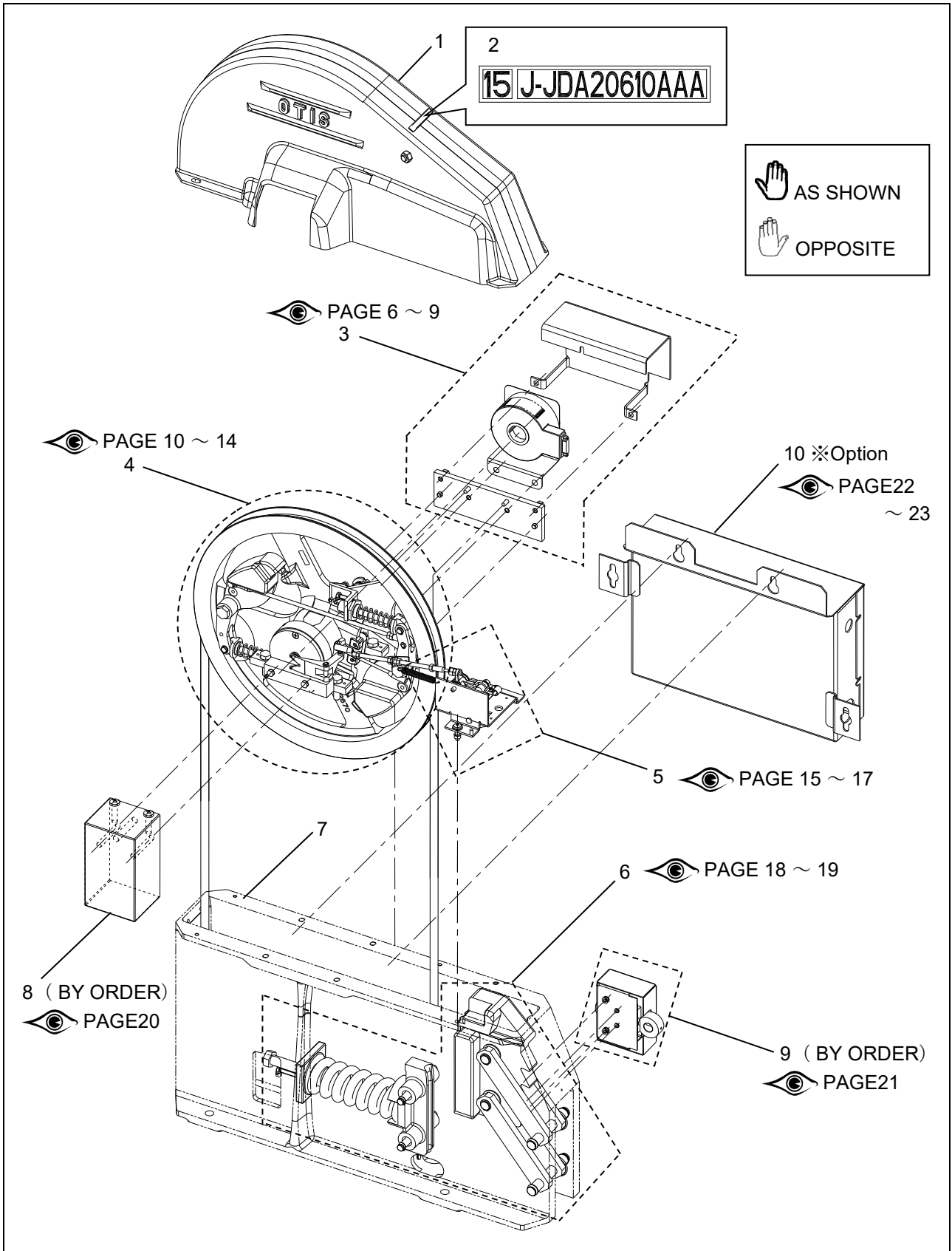
This Spare Parts Leaflet (SPL) is prepared to assist you in determining the Lowest Replaceable Units (LRU) supported by the Otis Service Center for the standard version of the product titled on the preceding page. The parts are chosen by Otis associates from: Engineering, Field Engineering, Service Engineering, and Manufacturing. We attempt to make part identification as easy as possible. The SPL, however, cannot be all inclusive. Elevator and escalator contracts classified as either “special” or “custom” are not addressed. Alternative sources of information such as: the Contract Folder, Technical Information Publications, Field Education Articles, Construction Letters, etc. may give the information you are after. You live in the real world of maintaining your elevator and escalator contracts. On a daily basis, situations arise regarding parts identification and at times, for some reason, the part you need is not in the SPL. If you think a standard part not listed should be—let us know. We will respond.

# TYPE C7063E GOVERNOR

**15-JAA20610AAA**











## ARRANGEMENT

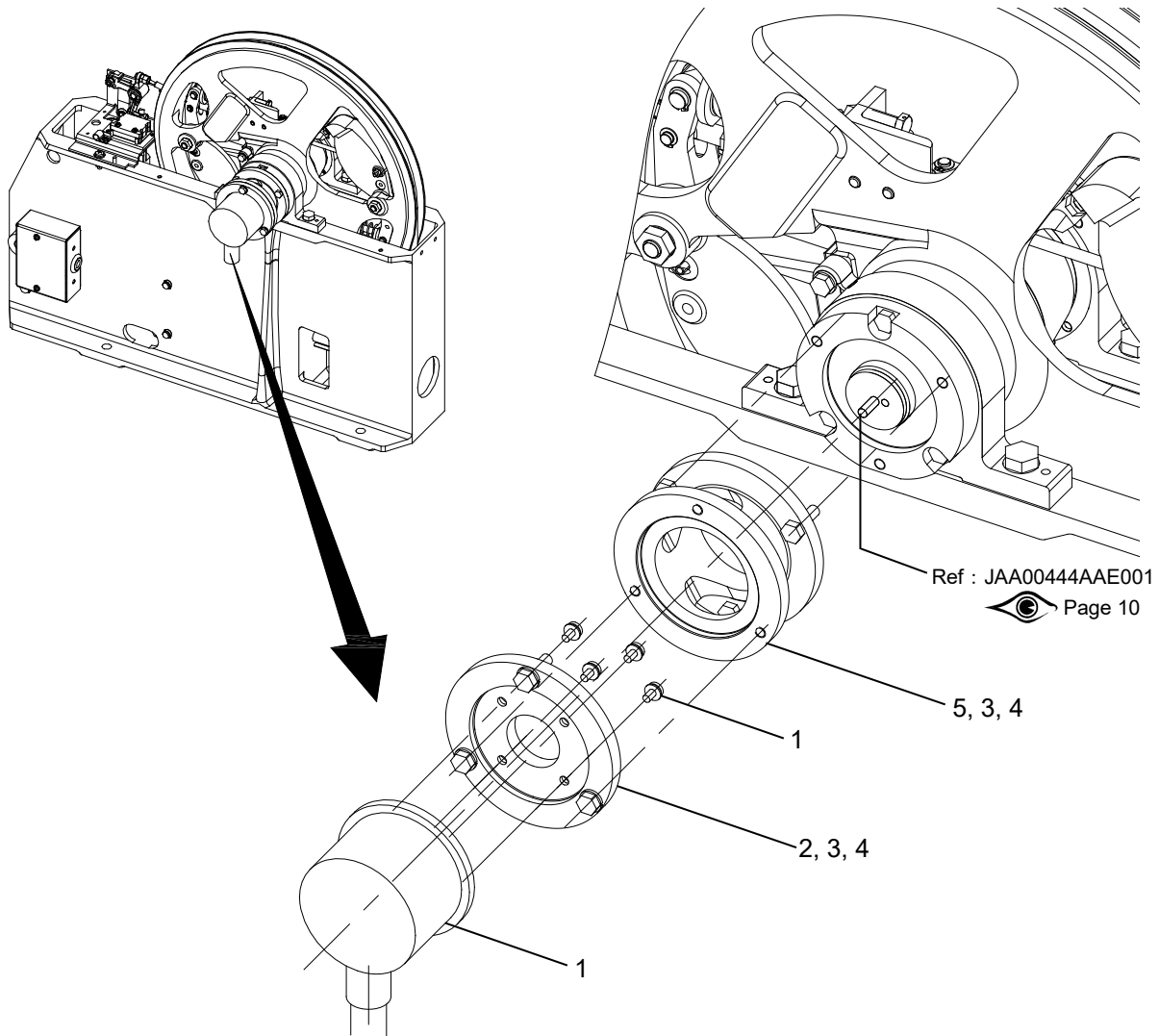
ASSEMBLY NO.				
<del>JAA</del> <del>JCA20610AAA</del> <del>JDA20610AAA</del>	HAND	DESCRIPTION	OPTION	CODE
JDA20610AAA1		CAR GOVERNOR	FIELD BOX	CSA, JIS, or OTHERS
JDA20610AAA2		CAR GOVERNOR	FIELD BOX	
JDA20610AAA3	---	CAR / CWT GOVERNOR	---	
JDA20610AAA4		CAR GOVERNOR (MCS411, 413)	FIELD BOX	
JDA20610AAA5	---	CAR GOVERNOR (MCS413) CWT (JERO)	---	CEN, GB, ANSI / CSA, KC
JDA20610AAA6		CWT GOVERNOR	JAW SW,	
JDA20610AAA7		CAR GOVERNOR	JAW SW,	
JDA20610AAA8		CAR GOVERNOR	JAW SW, FIELD BOX	
JDA20610AAA9		CAR GOVERNOR	JAW SW, FIELD BOX	
JDA20610AAA10		CAR GOVERNOR (MCS411, 413)	JAW SW, FIELD BOX	
JDA20610AAA11		CAR GOVERNOR (MCS413) CWT (JERO)	JAW SW,	
JDA20610AAA12		CAR GOVERNOR (MCS412)	PRS BOX	CSA, JIS, or OTHERS
JDA20610AAA13		CAR GOVERNOR (MCS412)	JAW SW, PRS BOX	CEN, GB, ANSI / CSA, KC
JDA20610AAA14	---	CAR GOVERNOR ( HPRS WITH 8 PIN M12 CONNECTOR )	---	CSA, JIS, or OTHERS
JDA20610AAA15		CAR GOVERNOR ( HPRS WITH 8 PIN M12 CONNECTOR )	JAW SW,	CEN, GB, ANSI / CSA, KC
JDA20610AAA16		CAR GOVERNOR ( HPRS WITH 5 PIN M12 CONNECTOR )	---	CSA, JIS, or OTHERS
JDA20610AAA17		CAR GOVERNOR ( HPRS WITH 5 PIN M12 CONNECTOR )	JAW SW,	CEN, GB, ANSI / CSA, KC



# TYPE C7063E GOVERNOR

# 15-JAA20610AAA

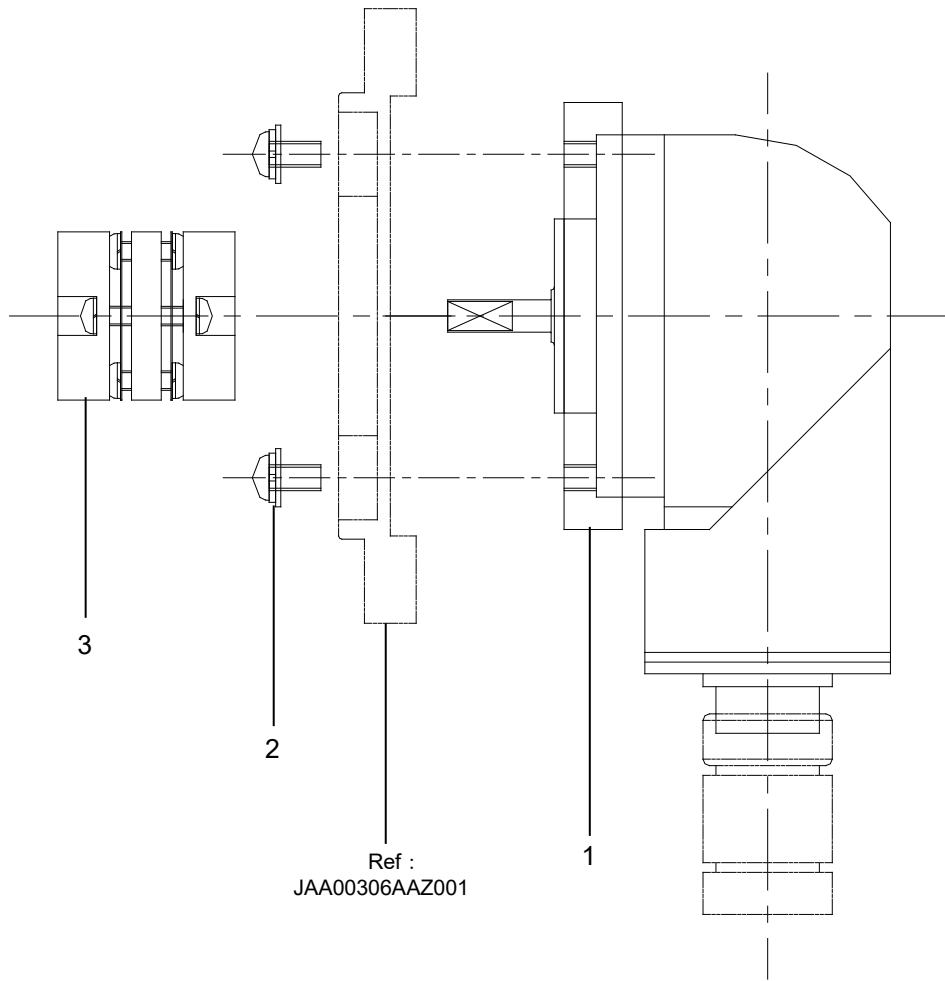
JAA~ JCA20610AAA~ JDA20610AAA~		JAA~ JCA20610AAA~ JDA20610AAA~			
REF. NO.	PART or ML	DESCRIPTION		USE for	REMARKS
1	346AHC1 JAA346DAG1	COVER	W / O CUTOUT	1, 3, 5 ~ 8, 11 ~ 17	Gov. rope retainer BFM08X10 0 NSM08
	346AHC2 JAA346DAG2		W / CUTOUT	2, 4, 9, 10	
2	JAA102AKX4 JAA102BGW4 JBA102BGW4 JCA102BGW1	PLATE, DATA		1 ~ 17	
3	 Page 6, 7	ROTARY ENCODER		4, 5, 10, 11,	BY ORDER
	 Page 8	ENCODER		12, 13	
	 Page 9	ENCODER W / PRS ( 8 PIN M12 CONNECTOR)		14, 15	
		ENCODER W / PRS ( 5 PIN M12 CONNECTOR)		16, 17	
4	 Page 10~14	SHEAVE ASS'Y		1 ~ 17	
5	for B Governor  Page 15	TRIPPER ASS'Y		1 ~ 17	
	for C Governor  Page 16, 17				
6	 Page 18, 19	ROPE CLAMP ASS'Y		1 ~ 17	
7	JX471CL501 JAA471AVC1 JBA471AVC1	STAND	W / O PRS & Encoder	1 ~ 11	
	JAA471ANG1 JBA471ANG1 JCA471ANG1		W / PRS & Encoder	12 ~ 17	
8	 Page 20	FIELD SWITCH ASS'Y		1, 2, 4, 8, 9, 10, 13, 15	BY ORDER
9	 Page 21	JAW SWITCH ASS'Y		6 ~ 11, 13, 15, 17	BY ORDER
10	 Page 22, 23	POSITION REFERENCE SYSTEM BOX		(12, 13)	※ OPTION



<b>W / O Vintage</b>		
<b>REF. NO.</b>	<b>PART or ML</b>	<b>DESCRIPTION</b>
1	👁 Page 7	ROTARY ENCODER ASS'Y
2	JAA00306AAZ001	BASE
3	BFM06X020	M6X20 HEX HD FIN BOLT
4	LWS06	M6 SPRING LOCK WASHER
5	JAA00270AAA001	ADAPTER

# ROTARY ENCODER

**15-JAA20610AAA**

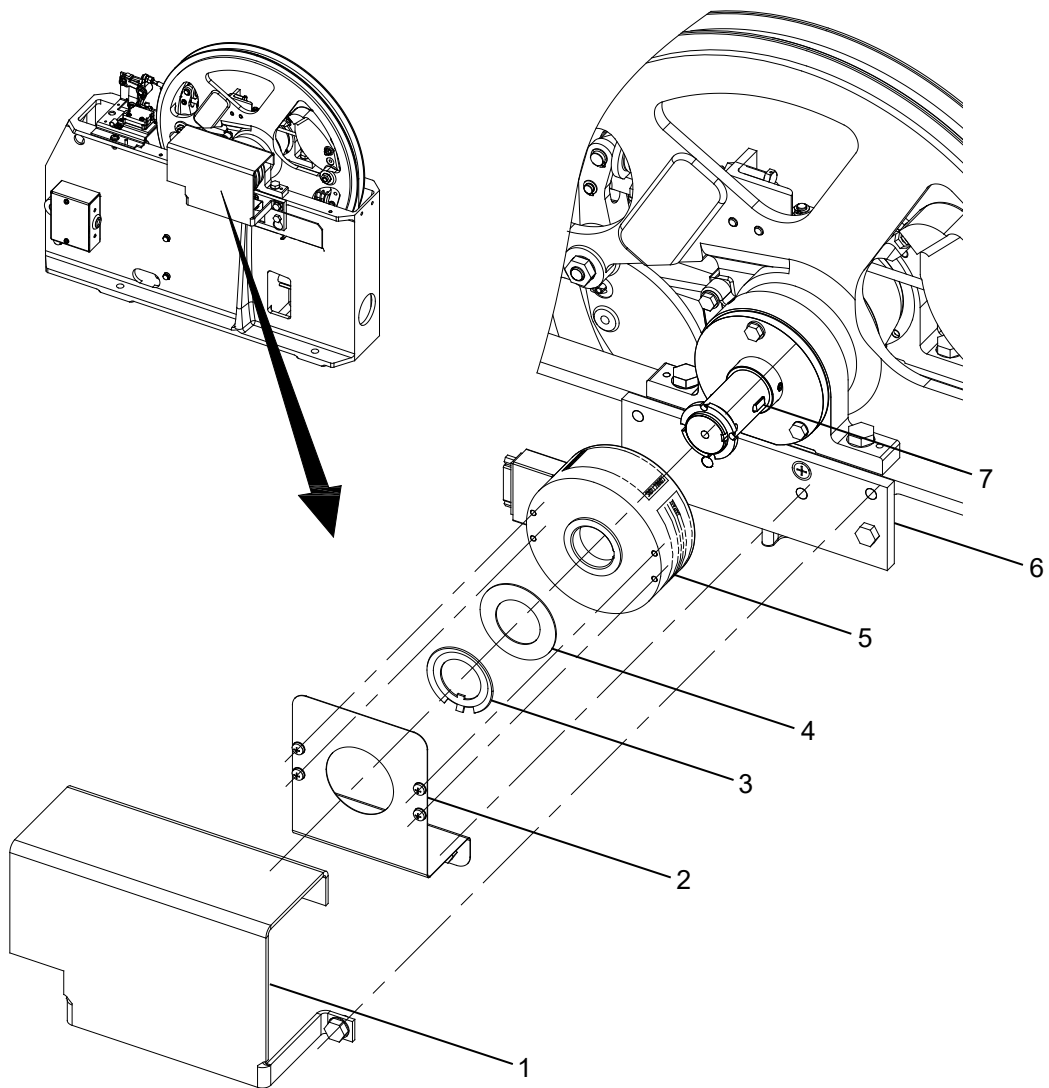


**JAA21430AAD\_**  
**JBA21430AAD\_**  
**JCA21430AAD\_**

REF. NO.	1	2	DESCRIPTION	REMARKS
	PART or ML			
1	JAA633ACB1 JBA633ACB1 (for GPPT)	JAA633ACB2 JBA633ACB2 (for APPT)	ROTARY ENCODER	ACB1:5000PPR ACB2:1024PPR
2	PSM04X008-RL		M4X8 PAN HD SCREW W / LW & RDW	
3	C-22-5S/5S		COUPLING	Daido Precision Industries Ltd.

# 15-JAA20610AAA

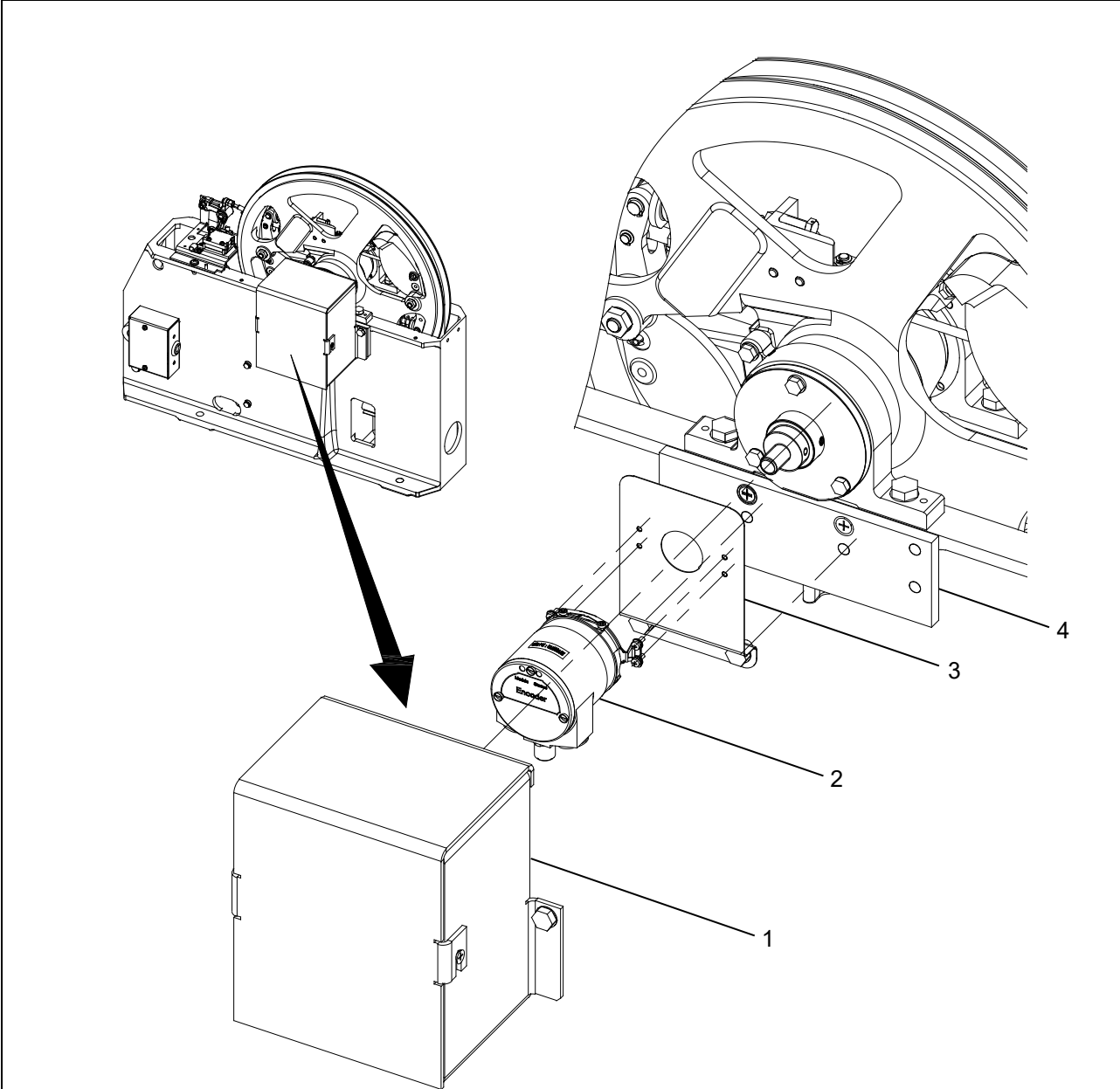
# ENCODER



**JAA ~ JCA  
JDA20610AAA210**

REF. NO.	PART or ML	DESCRIPTION
1	AAA384AEV4 JAA384AXJ2	GUARD ENCODER
2	AAA316FXF4 JAA316RSE2	MOUNTING BRACKET
3	JAA130AAZ6	TAB LOCK WASHER
4	JAA127ACH1	WASHER
5	AAA633N1 JAA633ABK2 JBA633ABK2 JBB633ABK2	ENCODER
6	AAA386KXU1	PLATE
7	JO192P5	KEY

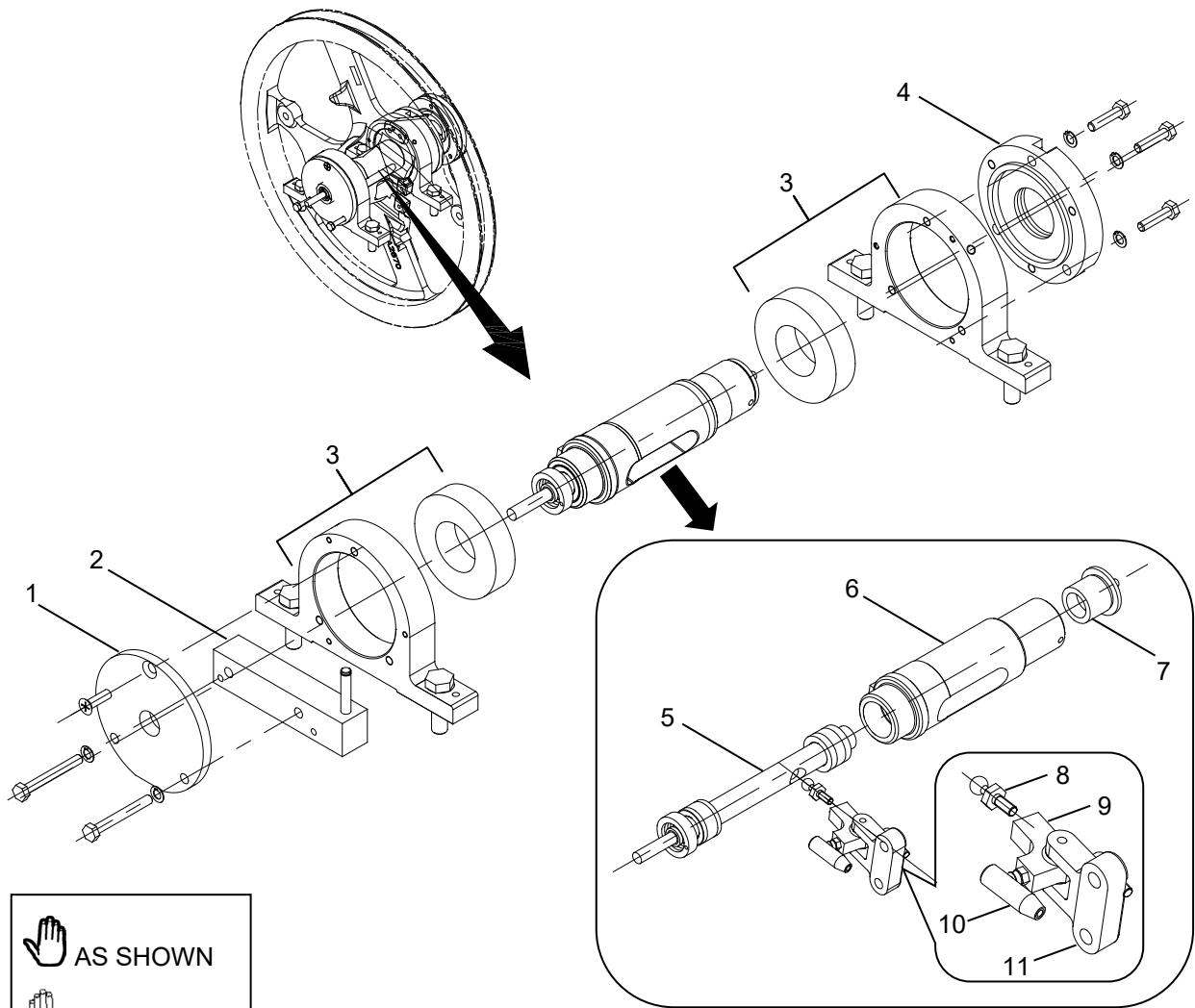







	JDA20610AAA212	JDA20610AAA213	
REF. NO.	PART or ML		DESCRIPTION
1	KAA384ADH1		GUARD ENCODER
2	KAA633AAB1 { 8 PIN M12 CONNECTOR TYPE }	KAA633AAB2 { 5 PIN M12 CONNECTOR TYPE }	ENCODER W / PRS
3	KAA316BGR1		MOUNTING BRACKET
4	AAA386KXU1		PLATE

# 15-JAA20610AAA

# SHEAVE ASS'Y - 1







 AS SHOWN  
 OPPOSITE

	W / O Vintage		JAA ~ JCA20610AAA JDA20610AAA
REF. NO.	PART or ML	DESCRIPTION	USE for
1	346AFN2	COVER	1 ~ 17
2	A462FG1	SPACER (W / 77WG1)	1 ~ 17
3	 Page 12	STAND, BEARING & BEARING	1 ~ 17
4	346AFN2	COVER	1, 2, 3, 6, 7, 8, 9
	JAA00346ACY001 JAA346BWG1		4, 5, 10, 11
	JAA346BHE1 AAA346AXE1		12 ~ 17

# SHEAVE ASS'Y - 1

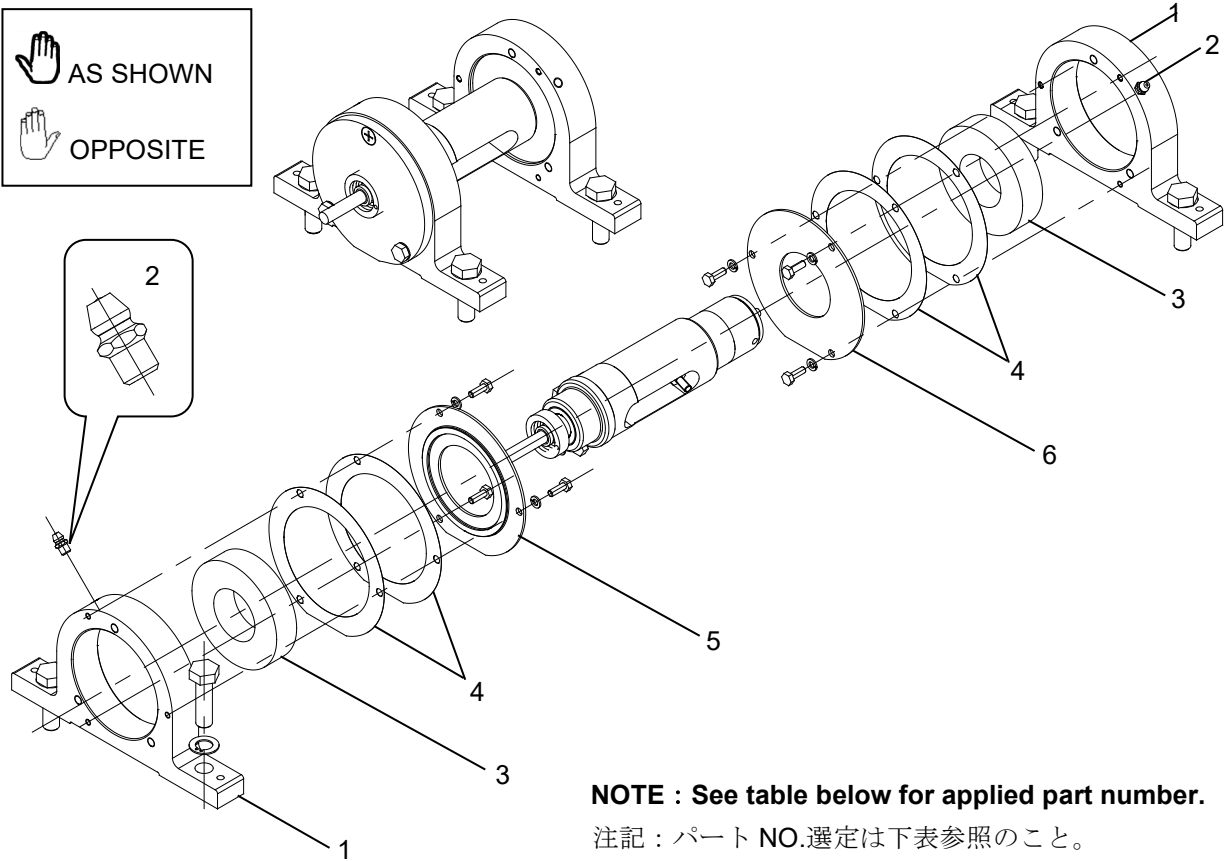
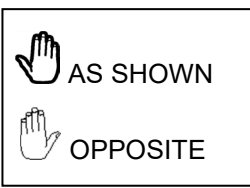
**15-JAA20610AAA**

W / O Vintage		JAA~JCA20610AAA_ JDA20610AAA_	
REF. NO.	PART or ML	DESCRIPTION	USE for
5	*For B Governor=445BD1 *For C Governor=445BT9		2, 9, 4, 10
	*For B Governor=445BD3 *For C Governor=445BT10		3, 6, 7, 5, 11
	*For B Governor=445BD2 *For C Governor=445BT11		1, 8
	*For B Governor=JAA445AAE1 *For C Governor=445BT12		12 ~ 17
	495CJ1 JAA495AET5		SHAFT
JAA00495AAA001 JAA495AET4		4, 5, 10, 11	
JAA495ADB1		12, 13	
JAA495ADB2		14 ~ 17	
7	JAA00444AAE001	SPIGOT	4, 5, 10, 11
8	124BS1	SCREW BALL	1 ~ 17
9	307AX1	BELL CRANK	
10	307AY1	LEVER, SWIVEL	
11	316CGH1	BRACKET	

NOTE : \*for B Governor = B7063E governor only, for C Governor = C7063E governor only.

# 15-JAA20610AAA

# BEARING ASS'Y



**NOTE : See table below for applied part number.**  
 注記：パート NO.選定は下表参照のこと。

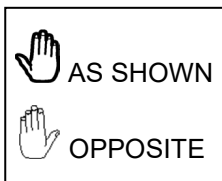
JDA20610AAA			
REF. NO.	PART or ML		DESCRIPTION
	301	302	
1	JX472EJ501	JAA472ABG2	STAND, BEARING
2	---	JAA435AAH1	FITTING LUBRICATOR
3	207Z22	JAA209ACB1	BEARING, BALL / BEARING, ROLLER
4	---	JAA376ABE1	GUSKET
5	---	JAA346BXL2	COVER
6	---	JAA346BXL1	

CAR SPEED [m/min]	OA [m]	BEARING PART NO.
90-240	≦ 199	JDA20610AAA301
	≦ 611	JDA20610AAA302
300	≦ 167	JDA20610AAA301
	≦ 542	JDA20610AAA302
360	≦ 143	JDA20610AAA301
	≦ 490	JDA20610AAA302

NOTE : OA = PIT + RISE + OH

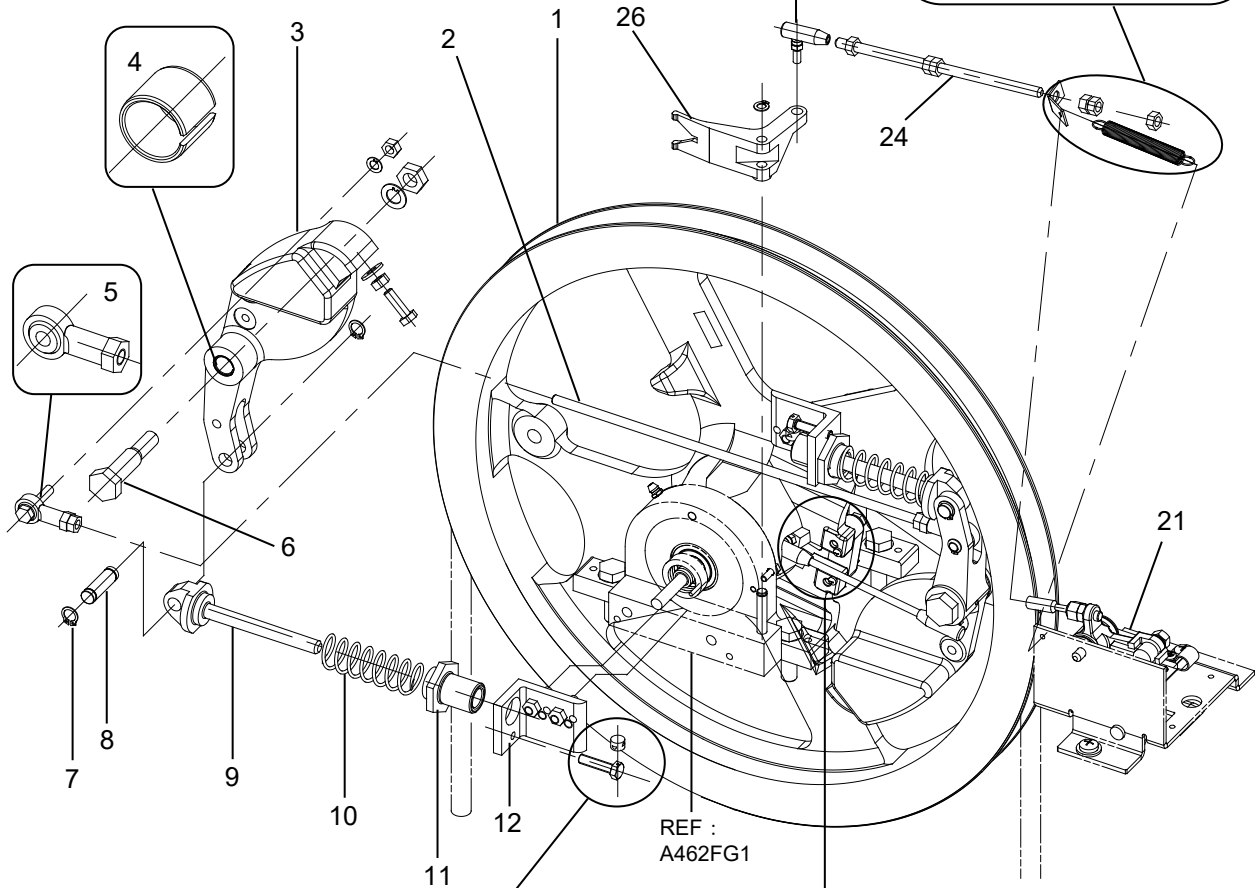
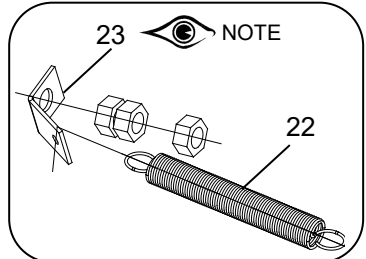
# SHEAVE ASS'Y - 2

**15-JAA20610AAA**

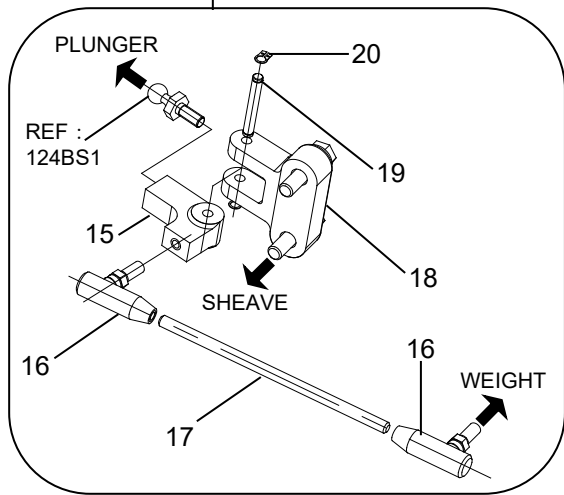
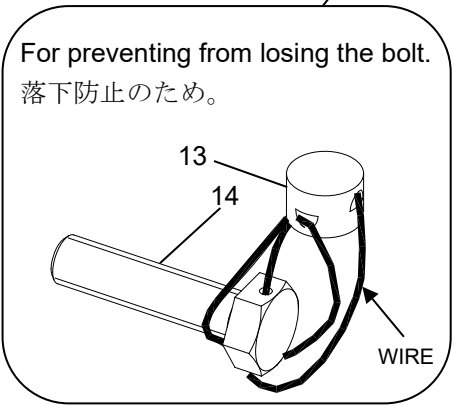


**NOTE**  
Spring-anchors are necessary for both sides of the spring (JAA149AAJ1&JAA149AAK1) in case of L/H.

**注記**  
左勝手の場合は スプリングの両サイドにスプリング  
アンカーを取付けること。




REF :  
A462FG1



# 15-JAA20610AAA

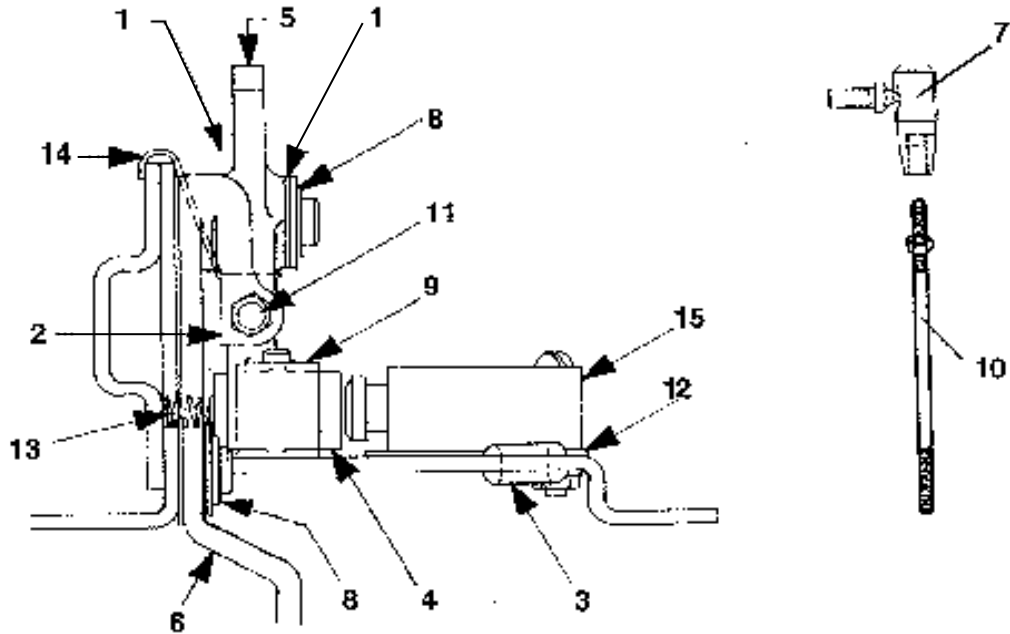
# SHEAVE ASS'Y - 2

	W / O Vintage		JAA~JCA20610AAA_ JDA20610AAA_	
REF. NO.	PART or ML	DESCRIPTION	USE for	QTY
1	<del>JXA267G1</del> JAA267AAL1 JAA267AAR1	SHEAVE	1 ~ 17	1
2	JX96H197	ROD	1 ~ 17	1
3	JX344BB501	WEIGHT $\begin{matrix} > 2.5\text{m/s} \\ \leq 2.5\text{m/s} \end{matrix}$	BY ORDER	2
	JX344BE501			
4	335AB2	BUSHING OIL LESS		4
5	JX212AA1	BEARING, ROD END	1 ~ 17	2
6	JX59BL2	BOLT	1 ~ 17	2
7	172DE20	RING	1 ~ 17	4
8	77JP5	PIN	1 ~ 17	2
9	79BN1	PIN, SHOULDER	1 ~ 17	2
10	---	SPRING	BY ORDER ※Contact to OSCJ P.C.	2
11	JX65DD1	BOLT	1 ~ 17	2
12	JX272AXK1	ANGLE	1 ~ 17	2
13	JAA431AAV1	LOCK	1 ~ 17	2
14	JX58AD45	BOLT	1 ~ 17	2
15	307AX1	BELL CRANK	1 ~ 17	1
16	307AY1	LEVER, SWIVEL	1 ~ 17	2
17	96H198	ROD	1 ~ 17	1
18	316CGH1	BRACKET	1 ~ 17	1
19	77JP18	PIN	1 ~ 17	1
20	172DE26	RING	1 ~ 17	2
21	 Page 15	TRIPPER ASS'Y $\begin{matrix} \text{*for B Governor} \\ \text{*for C Governor} \end{matrix}$	BY ORDER	1
	 Page 16, 17			
22	JAA91ABJ1	EXTENSION SPRING	1 ~ 17	1
23	JAA149AAJ1	SPRING ANCHOR	2 ~ 7, 9 ~ 17	1
	JAA149AAK1		1, 8	1
24	*for B Governor = 96H222 *for C Governor = 96CJ33	ROD	1 ~ 17	1
25	307AY2	LEVER, SWIVEL	1 ~ 17	2 1
26	*for B Governor = 307AW1 *for C Governor = 307BC1	BELL CRANK	1 ~ 17	1

NOTE : \*for B Governor = B7063E governor only, for C Governor = C7063E governor only.

# TRIPPER ASS'Y for B GOVERNOR

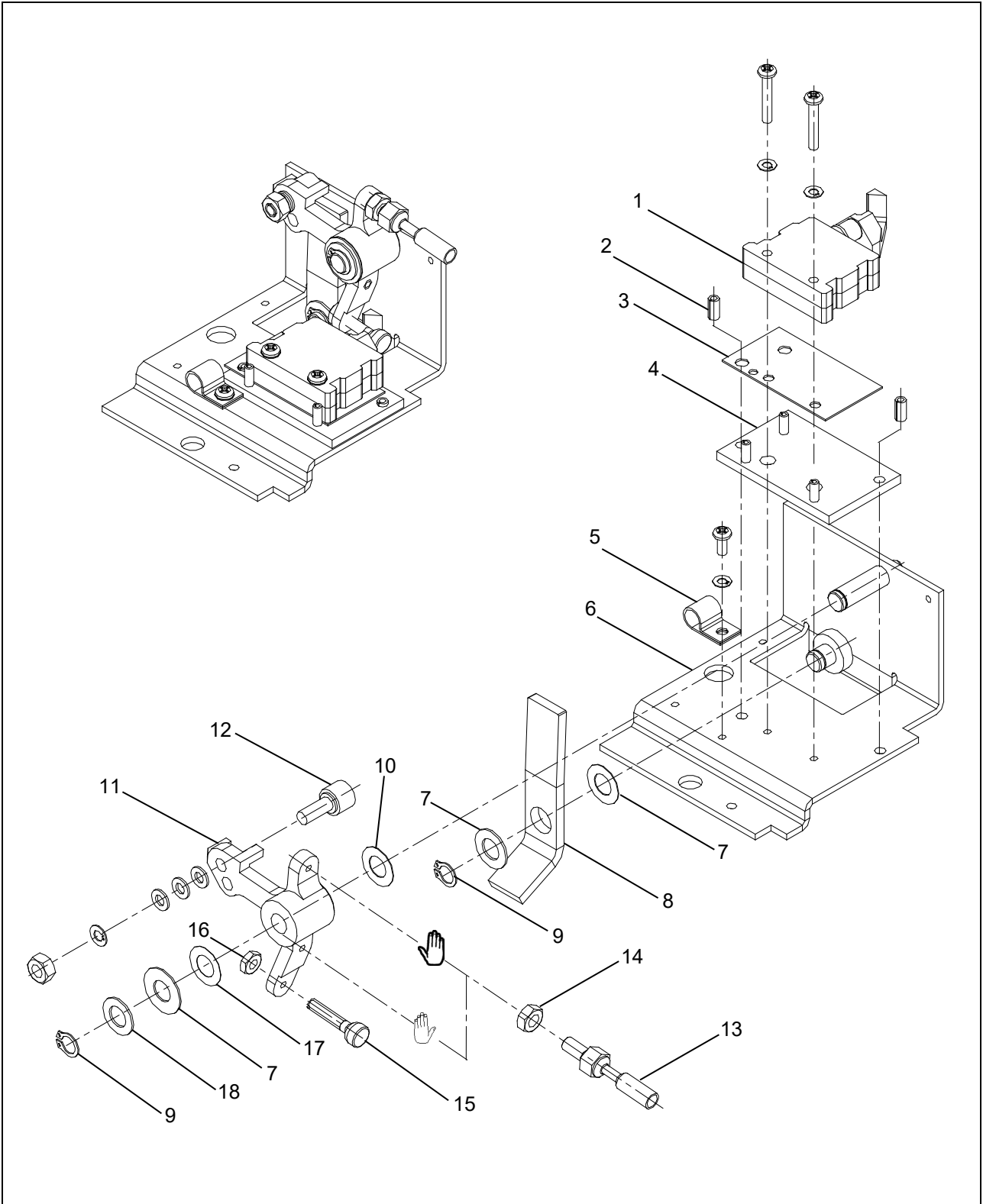
**15-JAA20610AAA**



REF. NO.	7063Y_		DESCRIPTION
	1 (for CEN & CSA)	3 (for OTHERS)	
	PART or ML		
1	129CD1		WASHER
2	446AL1		ARM, TRIPPER
3	316CGV2		BRACKET W / BUSHING
4	JY327JG1		CAM
5	JY288NJ1		LEVER
6	288MV1		LEVER
7	307AY2		LEVER, SWIVEL
8	172DE20		RING
9	172DE25		RING
10	96H222		ROD
11	424CV1 JAA124ABV1		SCREW
12	278BL1		SHIELD
13	90LA5		SPRING
14	92AM1		SPRING
15	7035A116	JAA26901AAG23	PUSH BUTTON

**15-JAA20610AAA**

# **TRIPPER ASS'Y for C GOVERNOR**



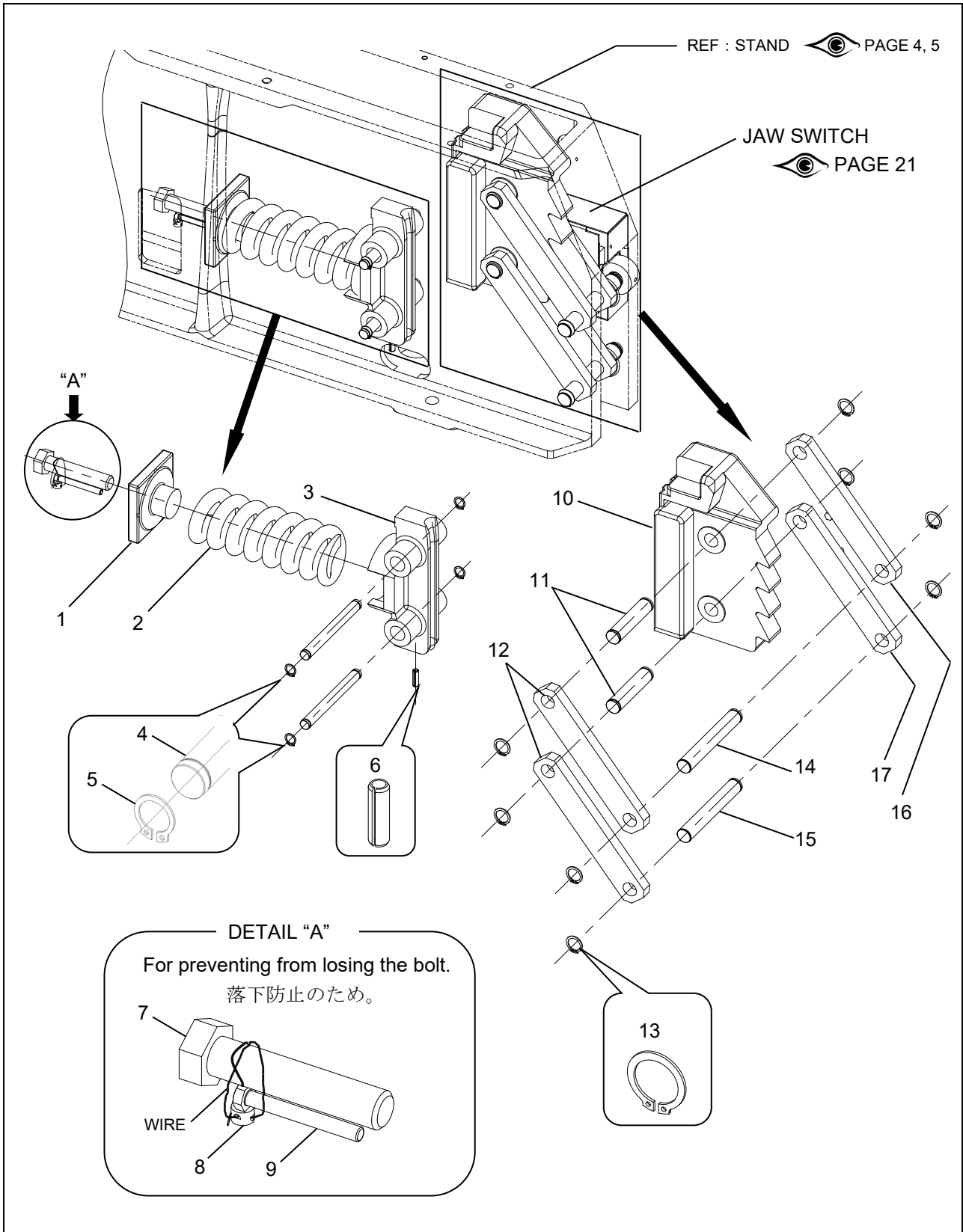


# TRIPPER ASS'Y for C GOVERNOR

## 15-JAA20610AAA

**JAA20610AAD**  
**JBA20610AAD**  
**JCA20610AAD**

REF. NO.	1	2	DESCRIPTION
	PART or ML		
1	7035A106		ASSEMBLY, PUSH BUTTON
2	PS5.0X10		M5X10 ROLL PIN
3	JX278BL500 JX278BL501		SHIELD INSLATING
4	JAA255AMM4 JAA316TDK1		BRACKET
5	336CZ9		CLAMP
6	JAA316RZJ1		BRACKET
7	128AF18		WASHER, NON – FERROUS
8	JAA288AZJ1		LEVER
9	172DE20		RING, RETAINING
10	JAA128AAC2		WASHER, NON – FERROUS
11	288PW1		LEVER
12	JAA207AAT1		BEARING
13	AAA708A1		BALL JOINT, SWIVEL
14	<del>JS#10-32</del> NS1 / 4 – 28		UNF NUT
15	65FD2 65FD3		BOLT, GOVERNOR TRIPPING
16	NSM05		M5 HEX FULL NUT
17	JAA255AXJ1		SHIM
18	JAA128AAC1		WASHER, NON – FERROUS



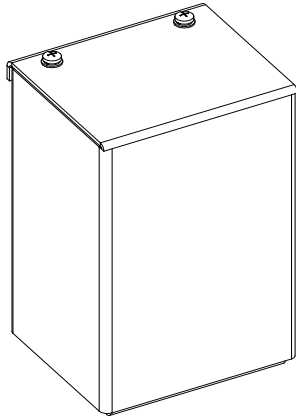
# ROPE CLUMP ASS'Y

**15-JAA20610AAA**

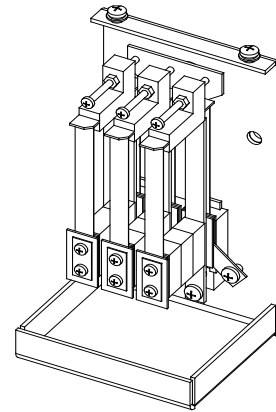
		W / O Vintage		JAA~ JCA20610AAA_ JDA20610AAA_	
REF. NO.	PART or ML	DESCRIPTION	USE for	QTY.	
1	133AX1	WASHER	1 ~ 17	1	
2	90HD12	COMPR. SPRING	1 ~ 17	1	
3	A398AD2	JAW	1 ~ 17	1	
4	77JP12	PIN	1 ~ 17	2	
5	172DE23	RING	1 ~ 17	4	
6	JX81AX19	PIN	1 ~ 17	1	
7	BFM16X075 – FULL	M16X75 HEX HD FIN BOLT	1 ~ 17	1	
8	JAA431AAV1	LOCK	1 ~ 17	1	
9	JX58AD57	FIN HEX BOLT	1 ~ 17	1	
10	<del>398AJ3</del> JAA398AAB3 JAA398AAM1	JAW	1 ~ 17	1	
11	77JP9	PIN	1 ~ 17	2	
12	JX430DH500	LINK	1 ~ 17	2	
13	172DE9	RING	1 ~ 5, 12, 14, 16	8	
			6 ~ 11, 13, 15, 17	6	
14	77JP10	PIN	1 ~ 5, 12, 14, 16	1	
	JAA81AWX1		6 ~ 11, 13, 15, 17		
15	77JP10	PIN	1 ~ 17	1	
16	JX430DH500	LINK	1 ~ 5, 12, 14, 16	1	
	JAA430ABX1		6 ~ 11, 13, 15, 17		
17	JX430DH500	LINK	1 ~ 17	1	

# 15-JAA20610AAA

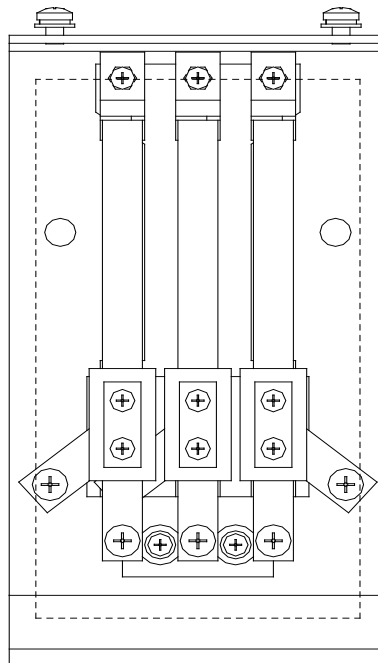
# FIELD SWITCH ASS'Y



<W/ COVER>



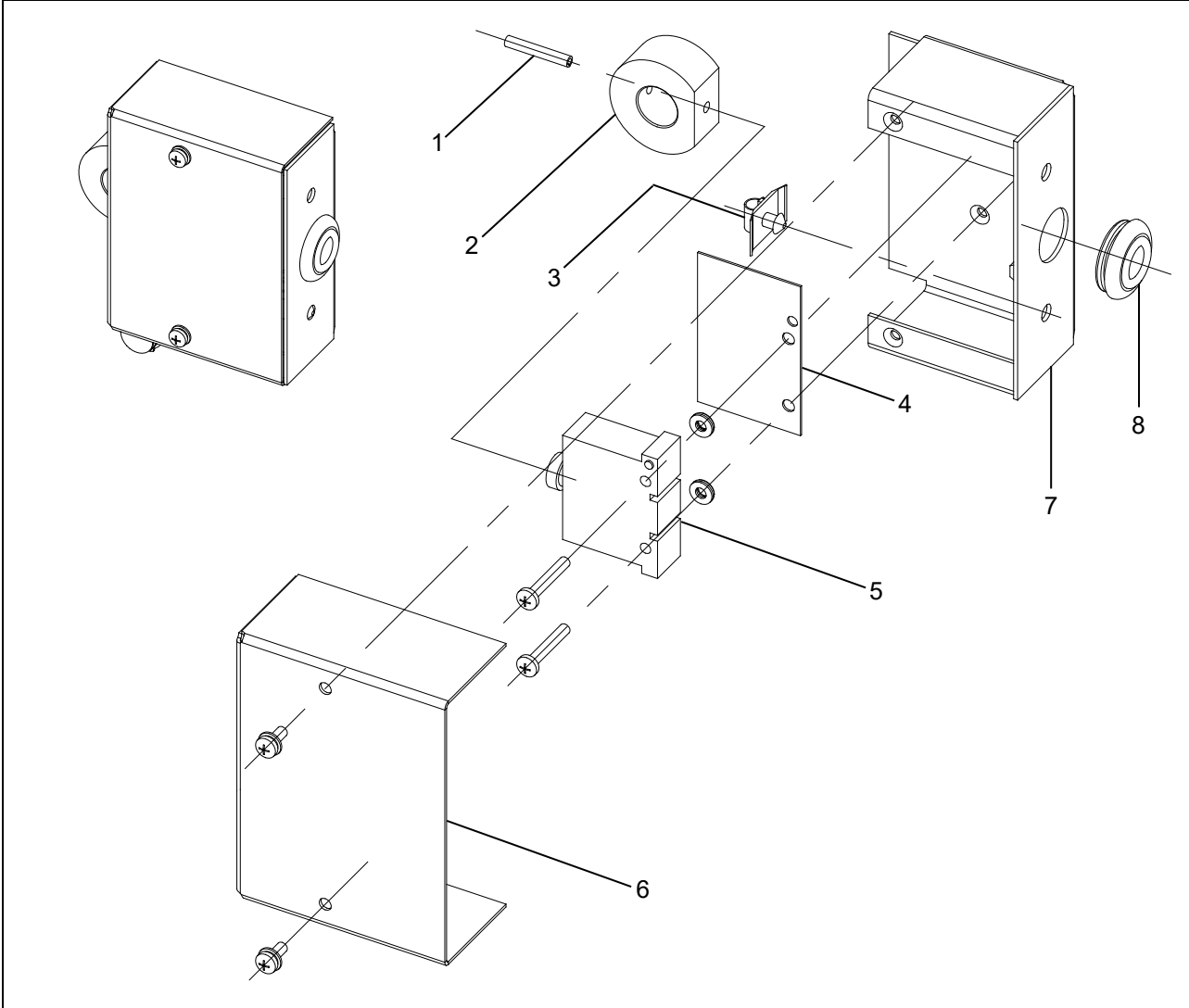
<W/O COVER>



7063J		
SWITCH ASSEMBLY NUMBER	SWITCH OR CONTACT TYPE 7063R	CONTACT CONFIGURATION
A7063J1	ARR 1	1 Making 4Breaking
A7063J2	ARR 2	1 Making 2Breaking
A7063J3	ARR 3	1 Making
A7063J4	ARR 4	1 Making 4Breaking
A7063J5	ARR 5	1 Making 2Breaking
A7063J6	ARR 6	1 Making

# JAW SWITCH ASS'Y

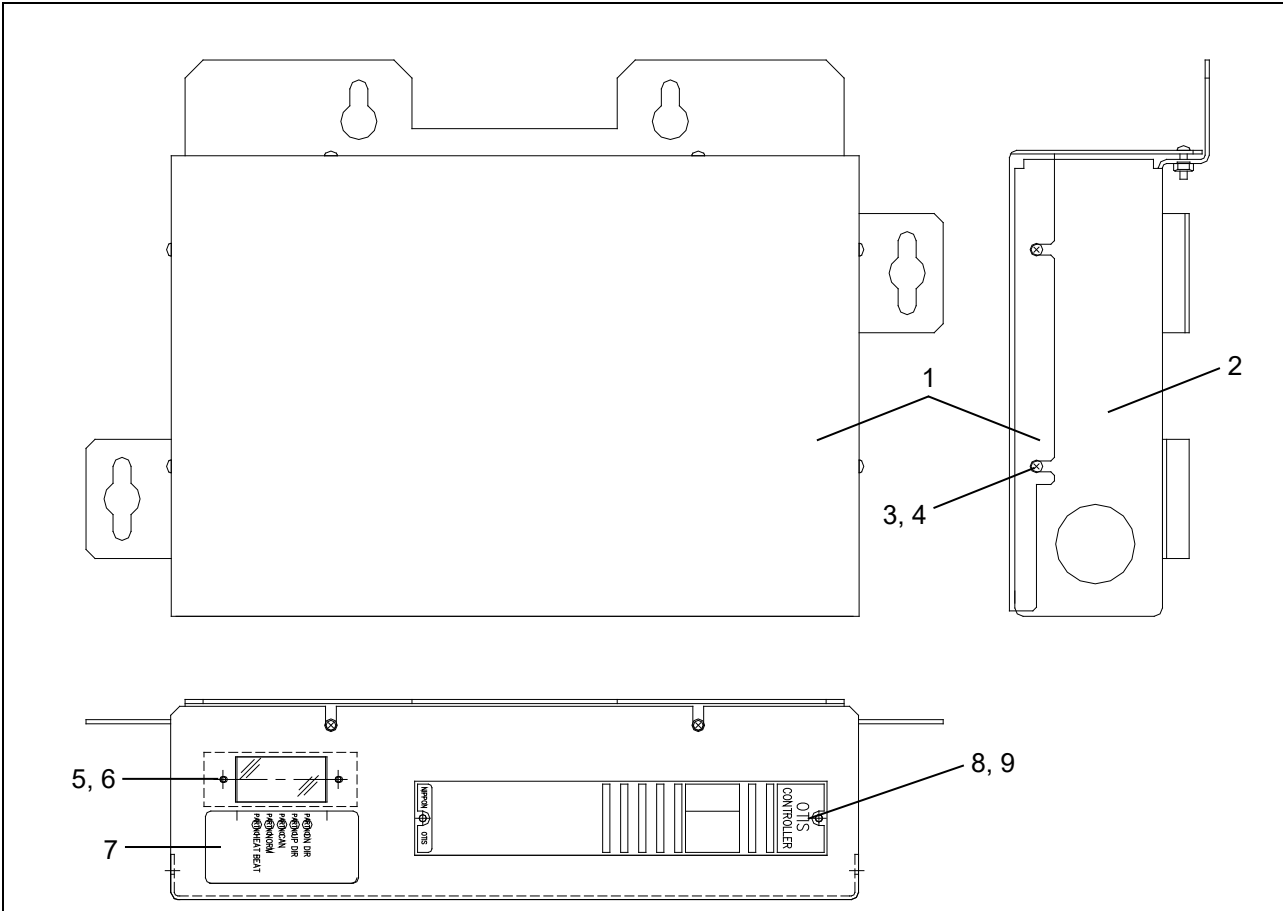
**15-JAA20610AAA**



<b>JAA ~ JCA JDA20610AAA110</b>			
<b>REF. NO.</b>	<b>PART or ML</b>	<b>DESCRIPTION</b>	<b>QTY.</b>
1	PS4.0X25	ROLL PIN	2
2	JAA327AFX1	CAM	1
3	JAA339AFX4	CABLE CLIP	1
4	278BL1	SHIELD	1
5	<del>JAA26901AAG23</del> or 7035A116	PUSH BUTTON	1
6	JAA285AWT1 JBA285AWT1	COVER	1
7	JAA285AWT2 JBA285AWT2	COVER	1
8	JAA00321AAA004 JAA00321ABA009	BUSHING	1

# 15-JAA20610AAA

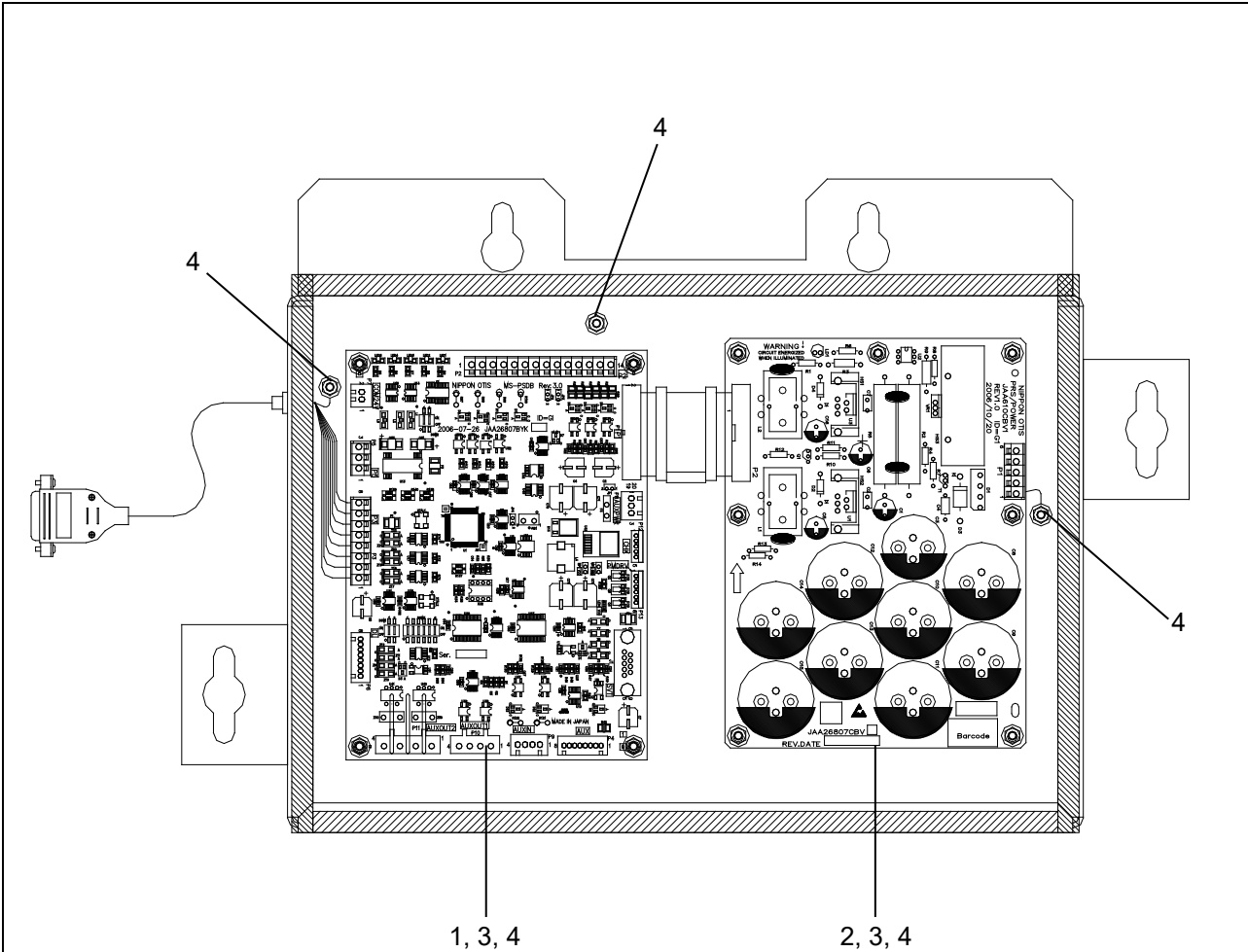
# Position Reference System



※JAA21430AAH1 : FIN. E-82G”D”

※JAA21430AAH2 : FIN. UT-BLUE  
(RAL 5019)

REF. NO.	JAA21430AAH		DESCRIPTION	QTY.
	1	2		
1	JAA346CCT1	JAA346CCT2	COVER	1
2	JAA346CCS 1	JAA346CCS 2	BASE	1
3	PSM04X016-RL		M4X16 PAN HD SCREW W / RL	6
4	RWS04		M4 PLAIN WASHER	6
5	JAA443ANE1		LENS	1
6	BRP3.2X08.0		BLIND RIVET	2
7	JAA102BLC1		PLATE, DATA	1
8	JX102BC1		PLATE, NAME	1
9	JO145B1		NYLON RIVET	2



<b>JAA21430AAH</b>				
		<b>1</b>	<b>2</b>	
<b>REF. NO.</b>	<b>PART or ML</b>	<b>DESCRIPTION</b>		<b>QTY.</b>
1	JAA26807BYK1	MS-PSDB		1
2	JAA26807CBV4 JAA26807CBV2	PRS POWER SUPPLY		1
3	JO354AL12	DISTANFE PIECE (L=15mm)		11
4	FNM04	M4 HEX NUT		13