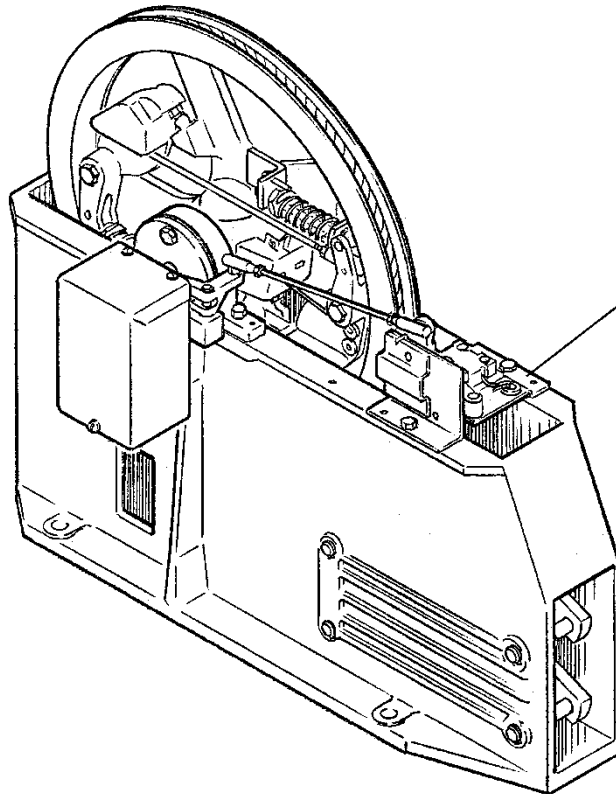


Type 7063E Governor

Spare Parts Leaflet

15-C7063E

February 24, 2016 / Page 1 of 25



* W/O VINTAGE *

15	C7063E
----	--------

* VINTAGE *

OTIS

SERVICE ENGINEERING
Otis Elevator Company
Bloomfield, Connecticut USA

Unpublished Work—© Otis Elevator Co.; 2016

Leaflet Description

This leaflet describes all vintages of the 7063E governor. Individual components are broken out. Many pages have side-by-side comparisons of the three types: A-, B-, and C7063E.

Related documents cover some information in greater detail. For governor rope tighteners (rope tension frames), refer to SPLs C-1038A, C-1094, and 15-6481AD. TIP 9.2.0-5 describes rubber bumper (type 320BX2) replacement.

Please be aware that both A7063E and B7063E did not have vintage tags and that C7063E was the first revision to have a vintage tag. Determining whether the governor is right-handed (RH) or left-handed (LH) can be confusing. Please refer to SPL 00-001, *Definition of Handed Equipment*, for clarification.

Leaflet Revisions

Date Revised	Subject Matter Expert	Reason for Revision
November 1988	Jeffrey S. Costley	new leaflet: was C-1095
January 1991	---	update parts
May 1998	Duane Stupienski	update parts, add history page
April 1999	Duane Stupienski	change descriptions, add dotted lines, p/n additions
January 13, 2010	Mike Bertini	pp 8 and 9 add: "For Right/Left Hand Assemblies"
November 4, 2015	Juan Murillo	Added NOTE to pp. 8, 9, and 10
February 24, 2016	Juan Murillo	Updated history page to include SPL 15-AAA27076HA

Related Drawings

Drawing No.	Title	Drawing No.	Title
C7063E	Governor		

Related Documents

Document ID	Title
SPL 15-AAA27076HA	<i>Type 7063E Governor Encoder Retrofit Kit</i>
C-1038A	<i>Type 7051A Governor Rope Tightener</i>
C-1094	<i>Type 6481 Governor Rope Tighteners</i>
15-6481AD	<i>Type 6481AD Rope Tightener</i>
TIP 9.2.0-3	<i>Type 7063 Governor Factory Adjustments</i>
TIP 9.2.0-5	<i>Stop Bumpers on 7063A, E, & F Governors</i>
TIP 9.2.0-6	<i>Overspeed Trips on 7063A and 7063E Governors</i>
TIP 9.2-1	<i>A7063E & A7063F Governor Bearing and/or Shaft Failures</i>

Subject Matter Expert

Name	Department
Juan Murillo and Gary Mendrala	OSC Service Engineering

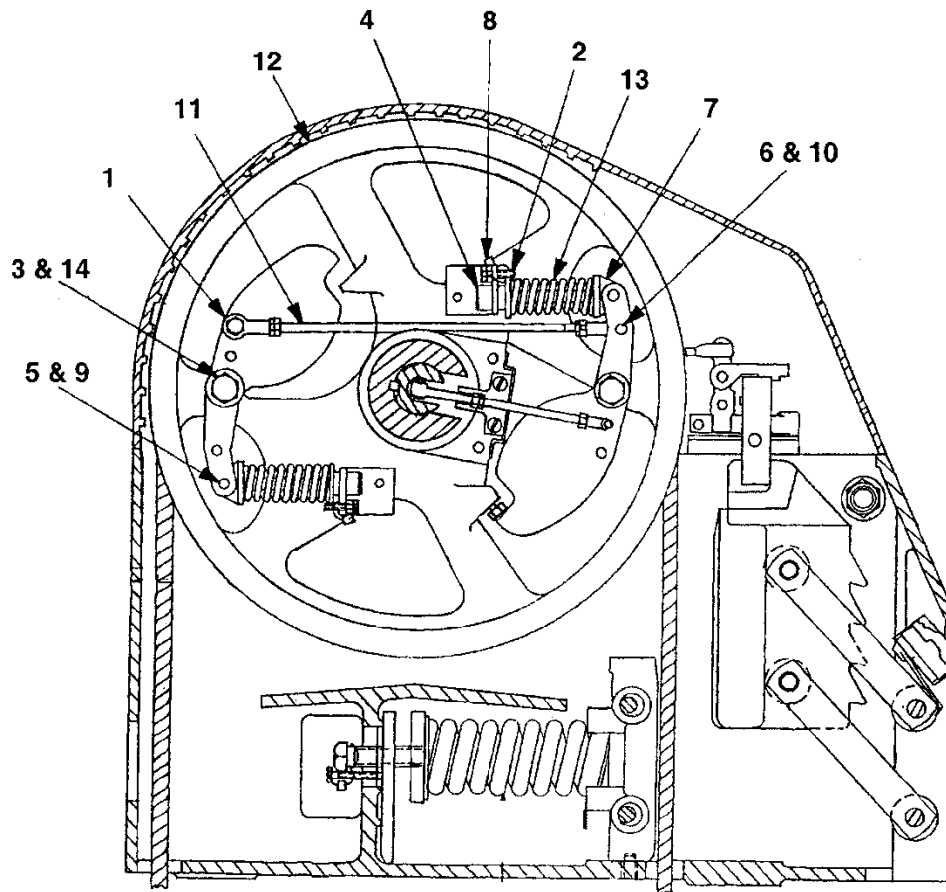
About Spare Parts Leaflets...

This document lists the lowest replaceable units (LRUs) for the standard version of the product. The LRUs are chosen by a team of Otis associates representing engineering and manufacturing.


While goal of this document is to make parts identification as easy as possible, the document cannot be all-inclusive. Elevator and escalator contracts classified as "special" or "custom" are not addressed here. For such contracts, please refer to specified information, the contract folder, TIPs, Field Education Articles, Construction Letters, etc. for further information. If you have any suggestions about this document, please contact the subject matter expert listed on this page.

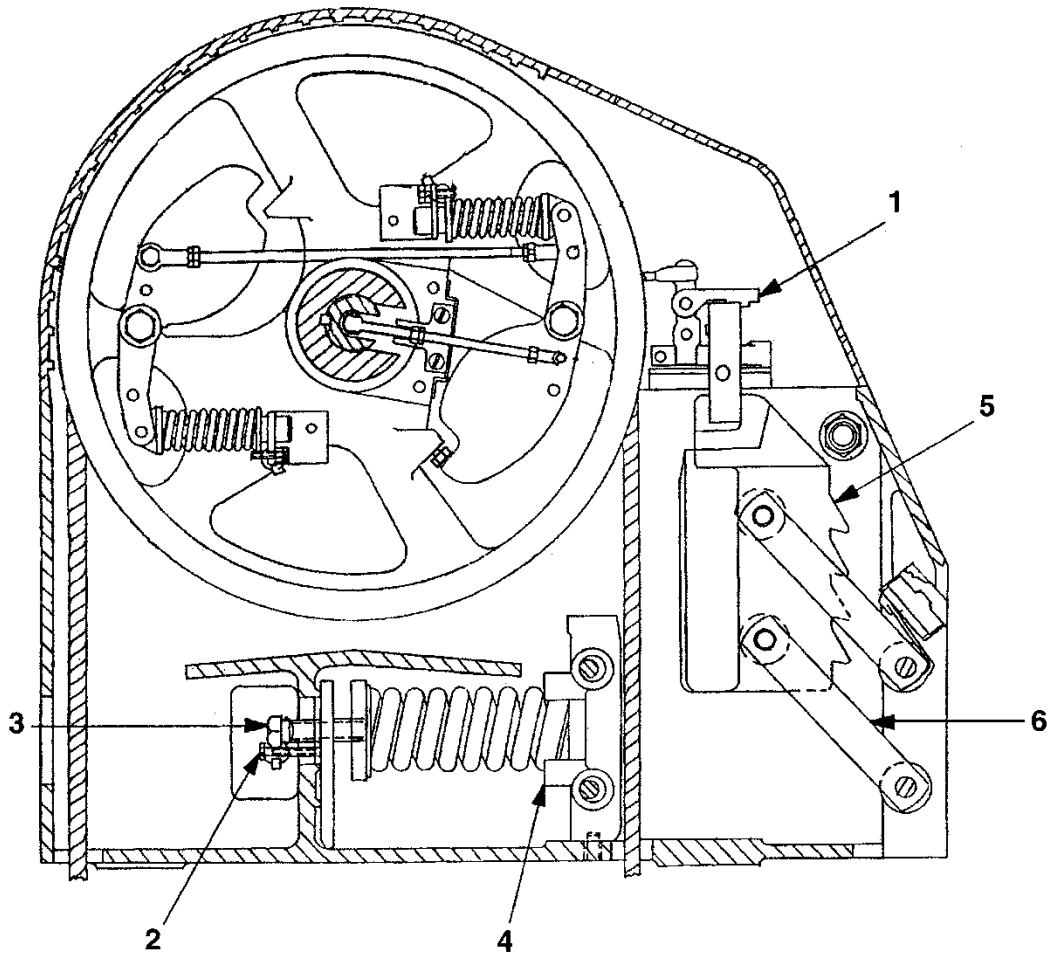
Type 7063E Governor Parts

15-C7063E



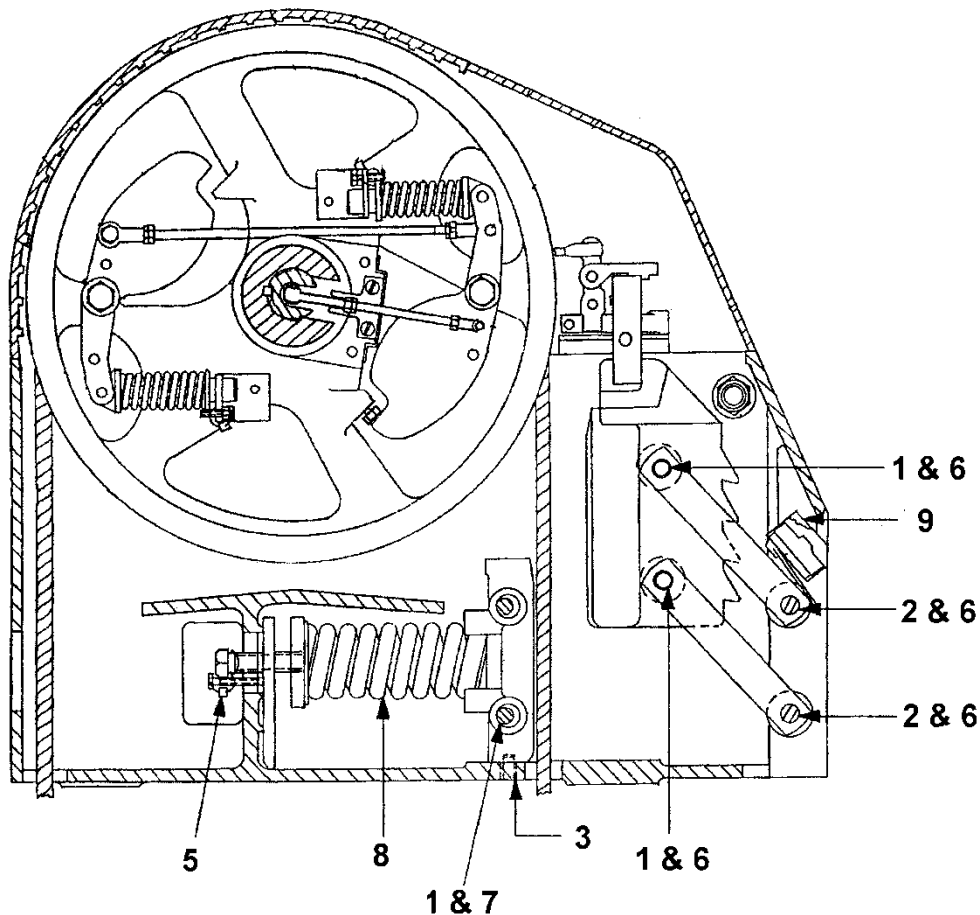
VINTAGES A7063E,
B7063E, & C7063E



REF. NO.	PART NUMBER	DESCRIPTION
1	212AA1	Bearing, Rod End
2	58AD45	Bolt, 1/4 in. x 1 in.
3	59BL2	Bolt, Shouldered, 1/2 in.
4	65DD1	Bolt, Special
5	77JP5	Pin, Weight Spring Pivot
6	77JP13	Pin, Weight Rod
7	79BN1	Pin, Shouldered, for Weight Spring
8	102FG1	Plate, Data Seal
9	172DE20	Ring, Retaining
10	172DE25	Ring, Retaining
11	96H197	Rod, Weight Connecting (1/4-28 Threads) 11.2 in. L
12	—	Sheave  p. 14, Sheave & Shaft Assemblies
13	—	Spring, Compression, for Weights (per Contract)
14	335AB2	Bushing, Flyweight (2 per Weight)

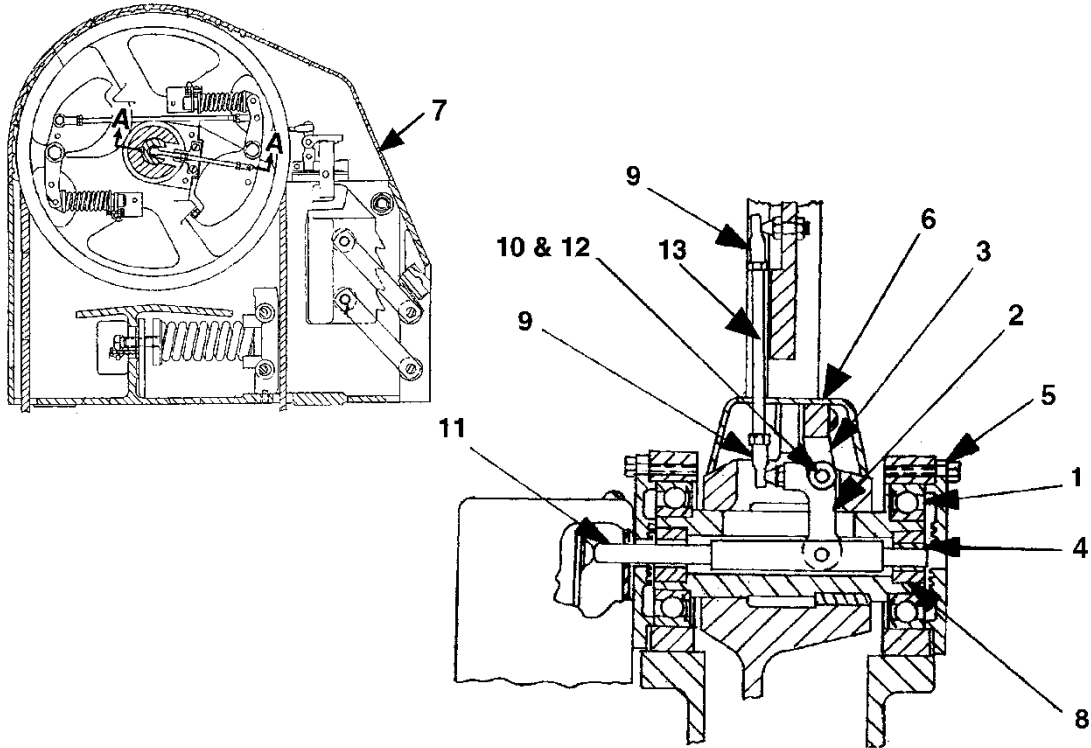


VINTAGE		
A7063E	B7063E	C7063E

REF. NO.	PART NUMBER			DESCRIPTION
1	—			Assembly, Tripper, & Related Parts For A7063E Version pp. 17 & 18 For B7063E Version p. 19 For C7063E Version p. 20 For B44 Code Solenoid Tripper Assembly p. 21
2	58AD57			Bolt, 1/4 in. x 2 in.
3	—	—	58AD61	Bolt, 5/8 in.
	—	58XA26	—	Bolt, 5/8 in.
	58XA24	—	—	Bolt, 5/8 in.
4	—			Jaw, Stationary p. 15
5	—			Jaw, Movable p. 15
6	430DH1			Link, Movable Jaw




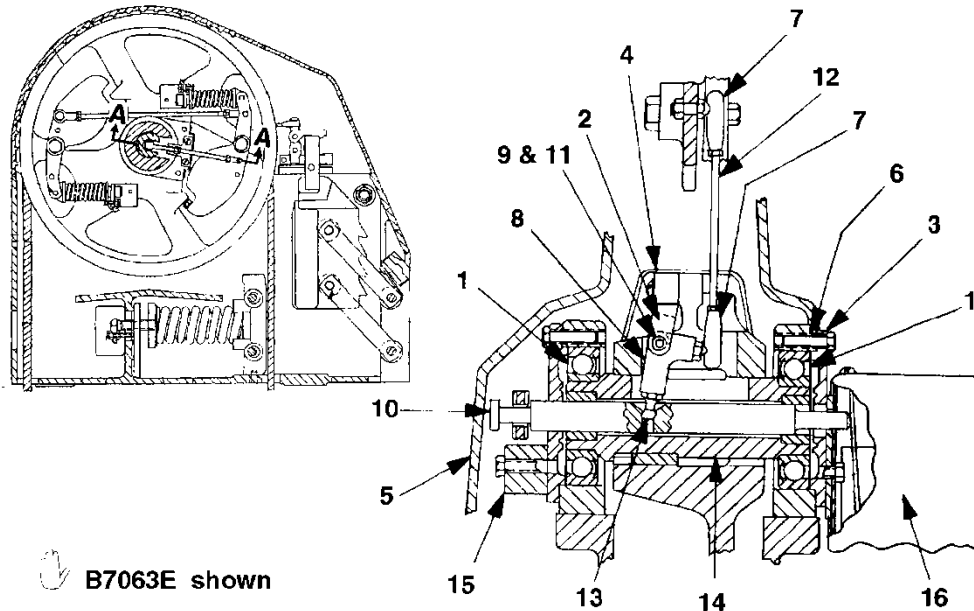
REF. NO.	VINTAGE			DESCRIPTION
	A7063E	B7063E	C7063E	
1	77JP9			Pin, Movable Jaw/Link Interface
2	77JP10			Pin, Jaw Link to Stand Connection (for CEN Code Applications,  p. 22)
3	81AX19			Pin, Roll, for Stationary Jaw Locator to Base
4	77JP12			Pin, Stationary Jaw
5	102FG1			Plate, Data Seal
	CAA102K1			Test Tag, Self-Debossing Aluminum
	CAA102K2			Test Tag, Self-Debossing Aluminum, w/102FG1 Seal
6	172DE9			Ring, Retaining, for Links on Movable Jaw
7	172DE23			Ring, Retaining, for Stationary Jaw
8	90HD12			Spring, Compression, for Stationary Jaw
9	—	177AR1	—	Switch, Jaw (Counterweight Governors Only)
*	—	—	—	Switch, Jaw CEN Code (Not Shown)  p. 23

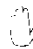


Type A7063E

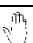


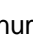




SECTION A-A

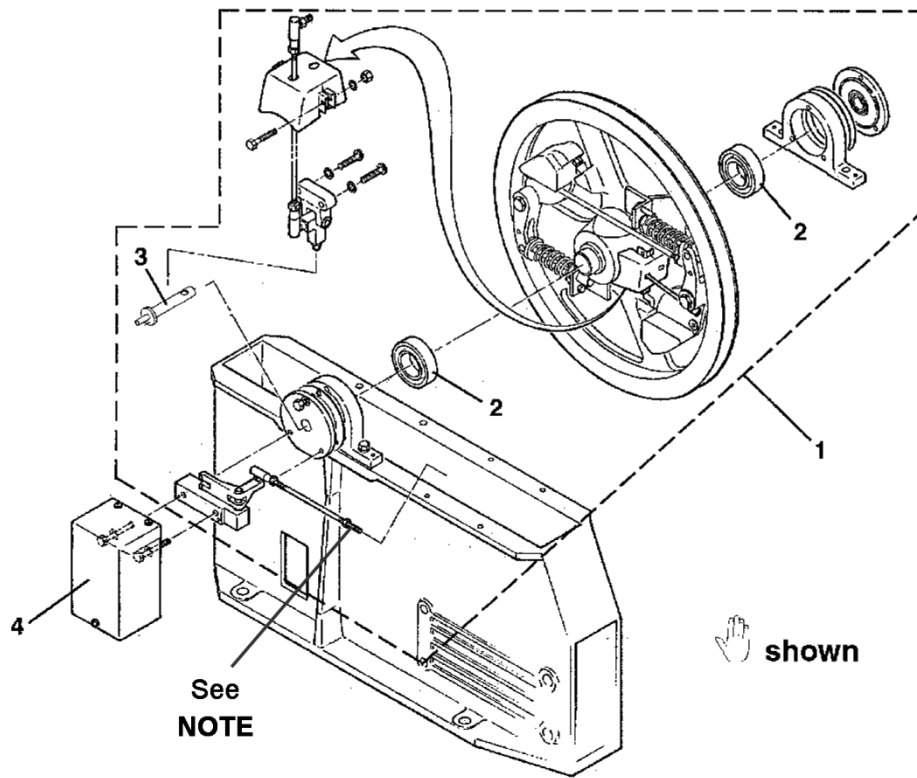
VINTAGE A7063E		
REF. NO.	PART NUMBER	DESCRIPTION
1	207Z21	Bearing, Ball
2	307AN1	Bell Crank, Linkage
3	316CCW1	Bracket, Linkage
4	VP-725812	Bushing, Rulon (Plunger Guide)
5	346AFN1	Cover, Bearing
6	346AFT1	Cover, Plastic
7	346AFR1	Cover, Top, Aluminum
8	396FJ1	Housing (for Capturing Ref. 3)
	335E106	Bushing, Sintered (Post-1993 Service Rep. Shafts Only)
9	307AY1	Lever, Swivel, for Weight Linkage
10	77JP11	Pin, Bell Crank
11	—	Plunger, for Auxiliary Switch,  p. 13
12	172DE26	Ring, Retaining, for Bell Crank
13	96H198	Rod, Bell Crank/Weight Linkage (10-32), 4 in. L



 B7063E shown

SECTION A-A
Types B7063E & C7063E

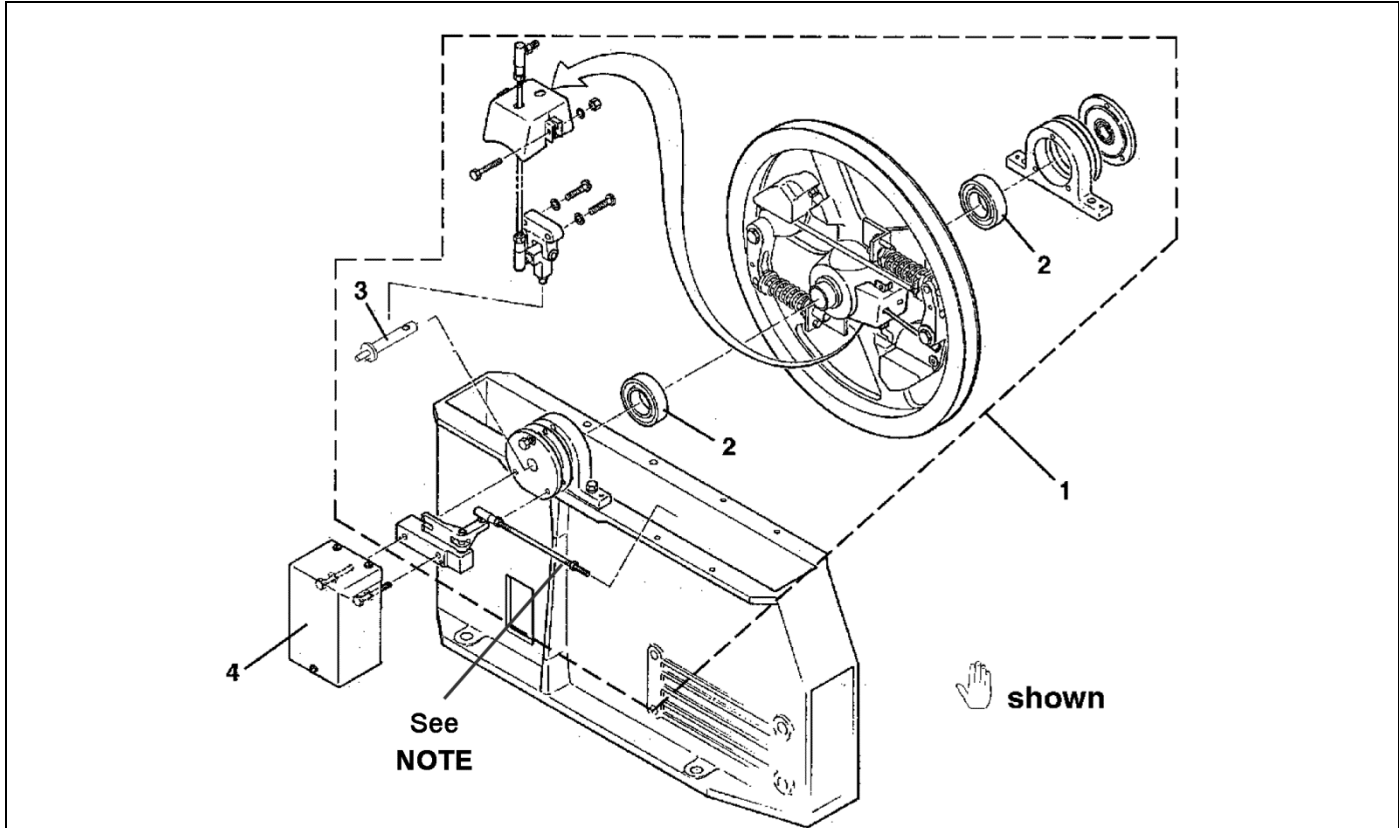
REF. NO.	VINTAGE		DESCRIPTION
	B7063E	C7063E	
1	207Z21		Bearing, Ball
2	316CGH1		Bracket, Linkage
3	346AFN2		Cover, Bearing
4	346AFT1		Cover, Plastic (for  Governors)
	346AFT2		Cover, Plastic (for  Governors)
5	346AHC1		Cover, Top, Aluminum, for  Gov. w/o Aux. Switches
	346AHC2		Cover, Top, Aluminum, for  Governors
6	376EJ1		Gasket
7	307AY1		Lever, Swivel, for Weight Linkage
8	307AX1		Linkage, Bell Crank
9	77JP18		Pin, Bell Crank
10	—		Plunger, for Auxiliary Switch,  p. 13
11	172DE26		Ring, Retaining, for Bell Crank
12	96H198		Rod, Bell Crank/Weight Linkage (10-32) 4 in. L
13	124BS1		Screw, Ball, for Plunger Engagement (10-32)
14	—		Shaft,  p. 14, Sheave & Shaft Assemblies
15	A462FG1	462FX2	Spacer, for Auxiliary Switch  p. 16
16	—		Switches, Auxiliary  p. 21



B OR C7063E
GOV. ONLY
W/O VINTAGE &
VINTAGE Y 01

REF. NO.	PART NUMBER	DESCRIPTION	FPM
1	AAA7063AQ1	For Right Hand Assemblies Assembly, Sheave, Governor w/Auxiliary Switch (Ref. 4) Old ML 2240A18 & 2240A24 See NOTE	150
	AAA7063AQ2		200
	AAA7063AQ3		250
	AAA7063AQ4		300
	AAA7063AQ5		350
	AAA7063AQ6		400/450
	AAA7063AQ7		500
	AAA7063AQ8		600
	AAA7063AQ9		700
	AAA7063AQ10		800
	AAA7063AQ11		1000
	AAA7063AQ12		1200
2	207Z21	Bearing	
3	—	Plunger p. 13 for Illustrations & Identification	
4	—	Switch, w/Two-Step Emergency Terminal Slowdown p. 22	
		Switch, w/Emergency Terminal Slowdown p. 22	

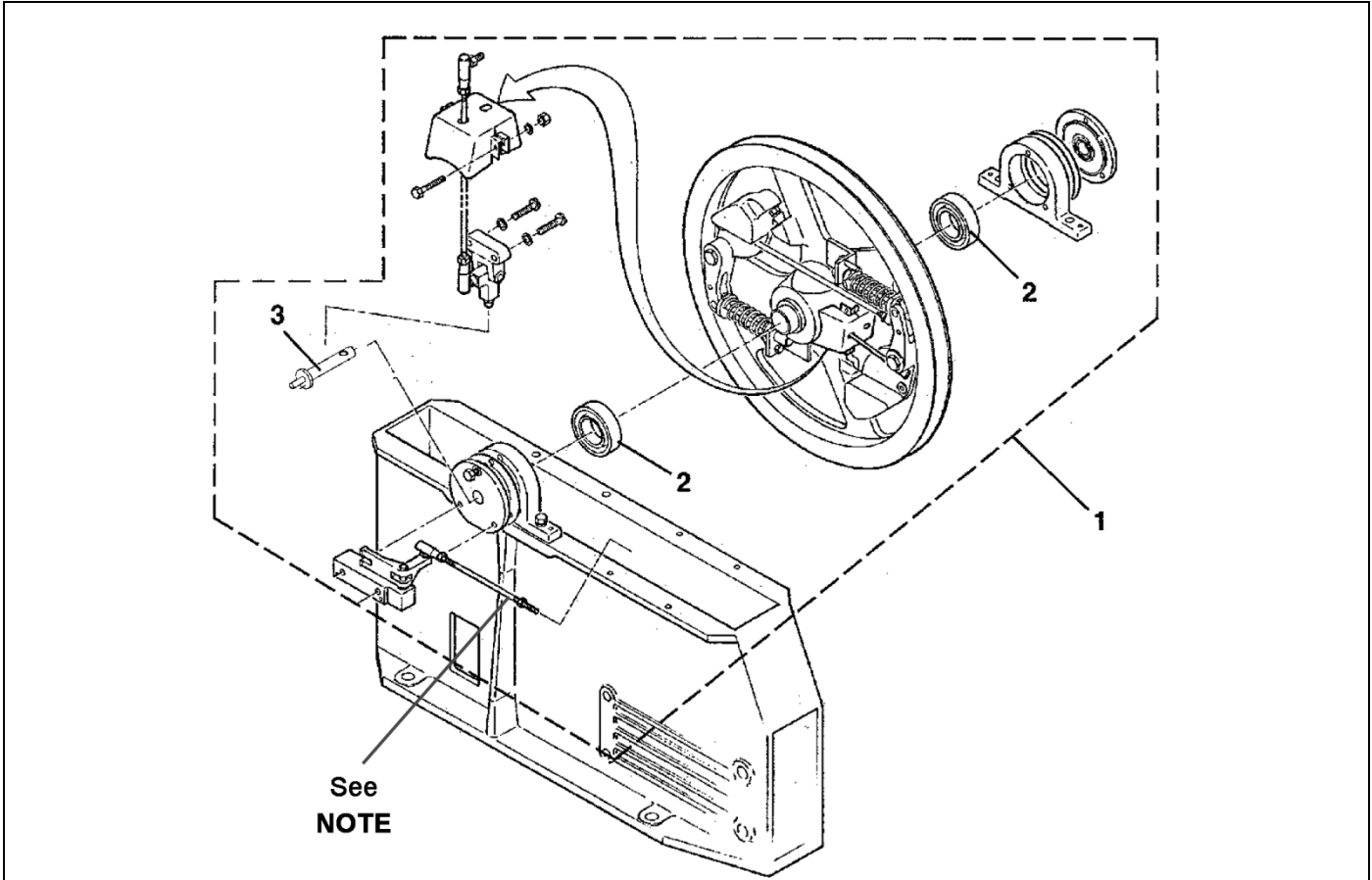
NOTE: For B7063E governors, retain rod 96H222 (see p. 19) on tripper assembly. Discard rod 96CJ33 (see p. 20) included with sheave assembly.



B OR C7063E GOV.
ONLY
W/O VINTAGE &
VINTAGE Y 01

REF. NO.	PART NUMBER	DESCRIPTION	FPM
1	AAA7063AQ13	For Left Hand Assemblies Assembly, Sheave, Governor w/Auxiliary Switch (Ref. 4) Old ML 2240A17 & 2240A23 See NOTE	150
	AAA7063AQ14		200
	AAA7063AQ15		250
	AAA7063AQ16		300
	AAA7063AQ17		350
	AAA7063AQ18		400/450
	AAA7063AQ19		500
	AAA7063AQ20		600
	AAA7063AQ21		700
	AAA7063AQ22		800
	AAA7063AQ23		1000
AAA7063AQ24	1200		
2	207Z21	Bearing	
3	—	Plunger p. 13 for Illustrations & Identification	
4	—	Switch, w/Two-Step Emergency Terminal Slowdown p. 22	
		Switch, w/Emergency Terminal Slowdown p. 22	

NOTE: For B7063E governors, retain rod 96H222 (see p. 19) on tripper assembly. Discard rod 96CJ33 (see p. 20) included with sheave assembly.

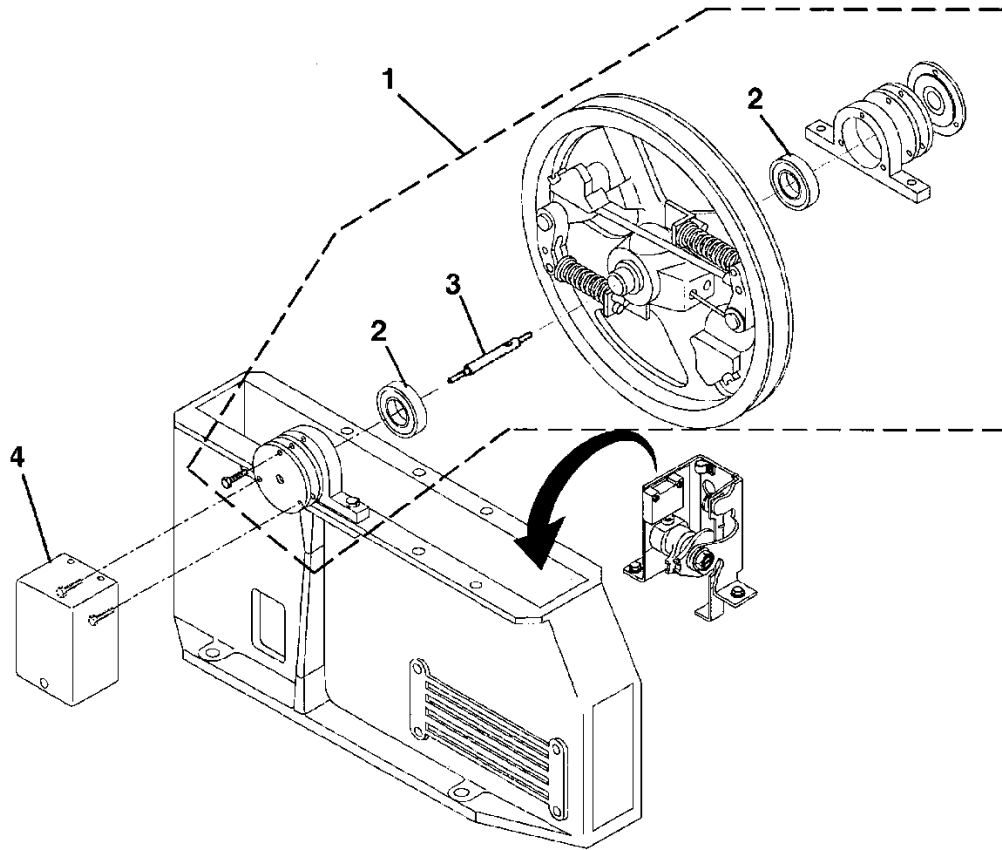


	B OR C7063E GOV. ONLY W/O VINTAGE & VINTAGE Y 01		
REF. NO.	PART NUMBER	DESCRIPTION	FPM
1	AAA7063AQ25	Assembly, Sheave, Governor Used for No Hand Assemblies w/o Auxiliary Switch Old ML 2240A19 & 2240A25 See NOTE	150
	AAA7063AQ26		200
	AAA7063AQ27		250
	AAA7063AQ28		300
	AAA7063AQ29		350
	AAA7063AQ30		400/450
	AAA7063AQ31		500
	AAA7063AQ32		600
	AAA7063AQ33		700
	AAA7063AQ34		800
	AAA7063AQ35		1000
AAA7063AQ36	1200		
2	207Z21	Bearing	
3	—	Plunger p. 13 for Illustrations & Identification	

NOTE: For B7063E governors, retain rod 96H222 (see p. 19) on tripper assembly. Discard rod 96CJ33 (see p. 20) included with sheave assembly.

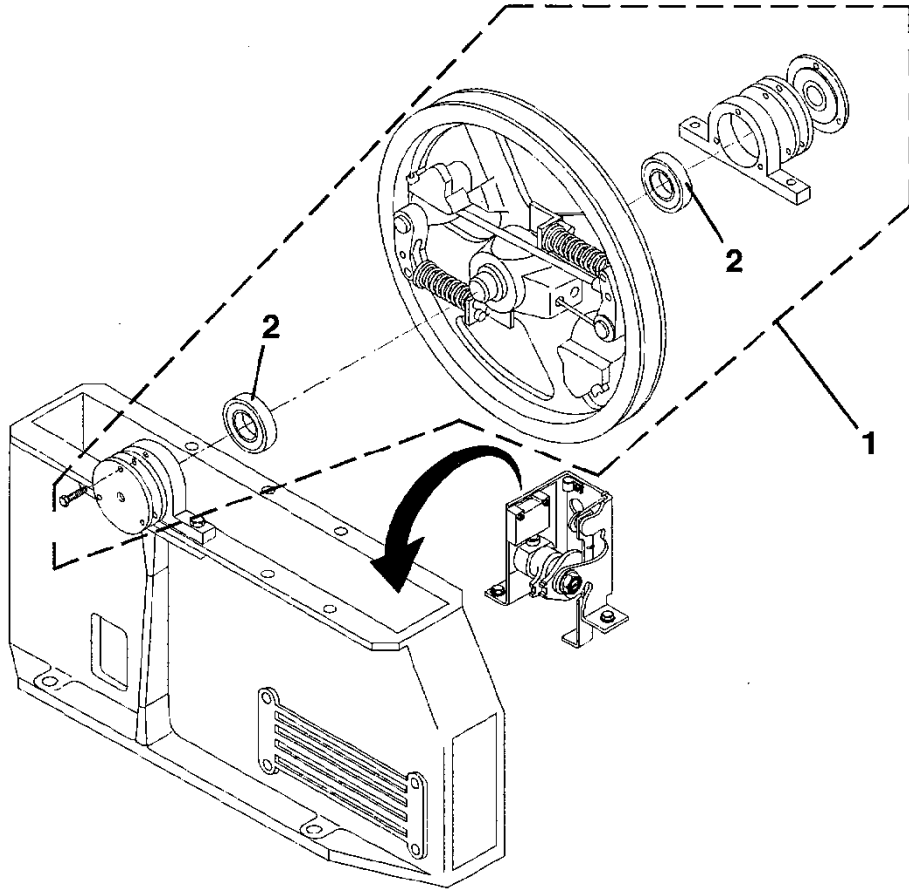
Type A7063E Governor


15-C7063E

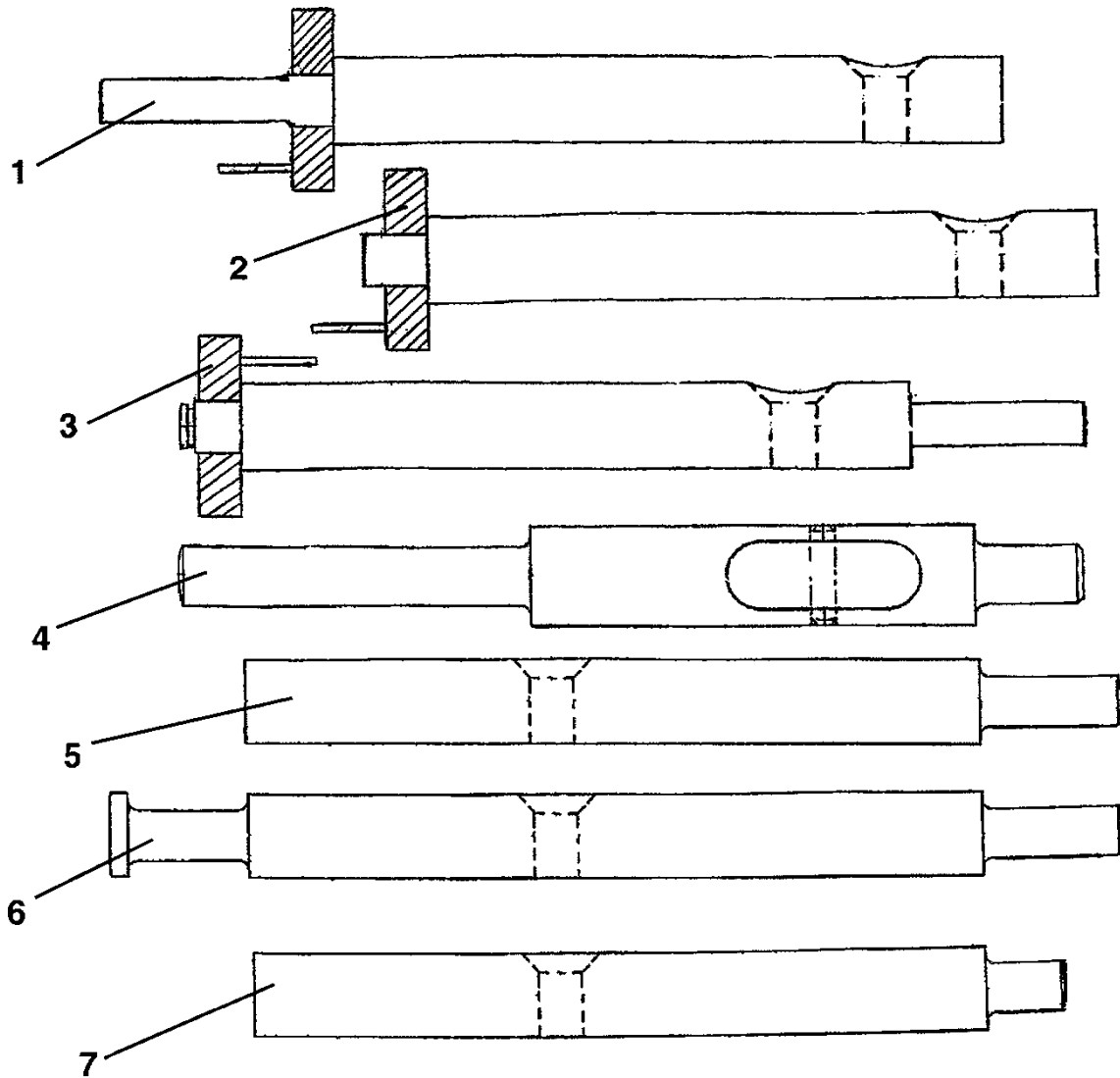


A7063E
GOV. ONLY
W/O VINTAGE

REF. NO.	PART NO.	DESCRIPTION	FPM
1	A7063E4	Assembly, Sheave, Governor Used for or Assemblies w/Auxiliary Switch (Ref. 4) Old ML 2240A12	150
	A7063E5		200
	A7063E6		250
	A7063E7		300
	A7063E8		350
	A7063E9		400
	A7063E10		450
	A7063E11		500
	A7063E12		600
	A7063E13		700
	A7063E14		800
A7063E15	1000		
2	207Z21	Bearing	
3	—	Plunger p. 13 for Illustrations & Identification	
4	—	Switch, w/Two-Step Emergency Terminal Slowdown p. 22	
		Switch, w/Emergency Terminal Slowdown p. 22	



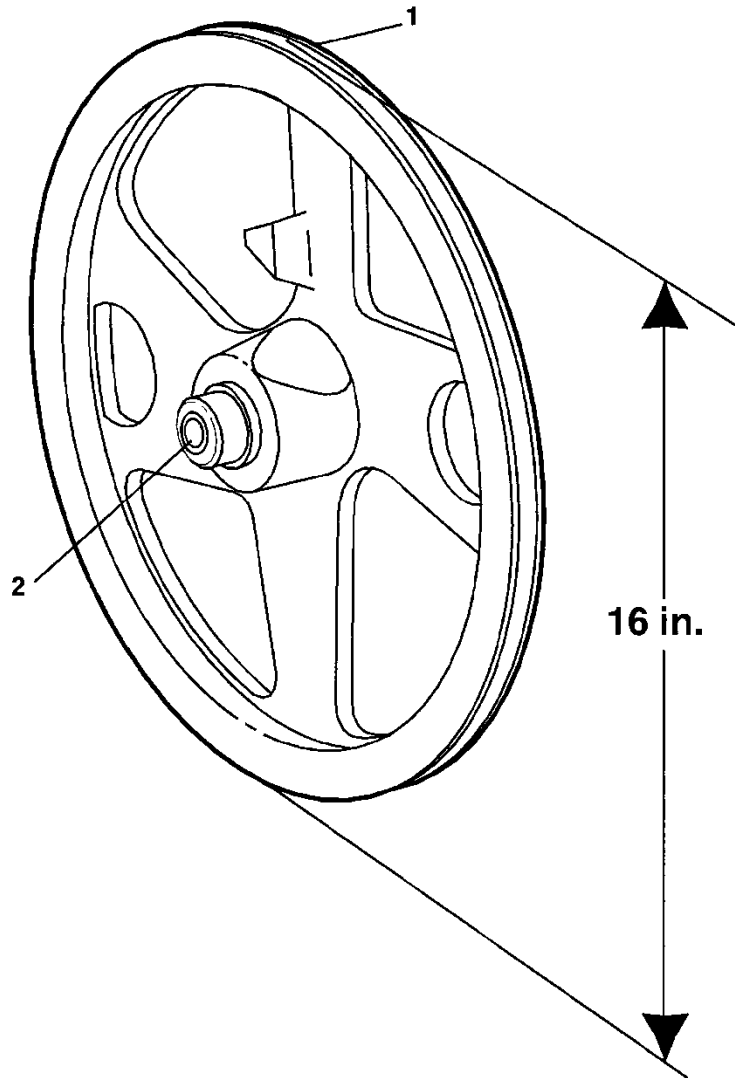
REF. NO.	PART NUMBER	DESCRIPTION	FPM
	A7063E GOV. ONLY W/O VINTAGE		
1	A7063E16	Assembly, Sheave, Governor Used on A7063E w/o Auxiliary Switch  Old ML 2240A13	150
	A7063E17		200
	A7063E18		250
	A7063E19		300
	A7063E20		350
	A7063E21		400
	A7063E22		450
	A7063E23		500
	A7063E24		600
	A7063E25		700
	A7063E26		800
A7063E27	1000		
2	207Z21	Bearing	



REF. NO.	W/O VINTAGE	W/O VINTAGE	VINTAGE Y 01	DESCRIPTION HAND OF GOV. (LENGTH)
	A7063E	B7063E	C7063E	
1	—	—	445BT4	Assembly, Plunger, ⚠ (7.46 in.)
2	—	—	445BT5	Assembly, Plunger, No Hand (6.38 in.)
3	—	—	445BT6	Assembly, Plunger, ⚠ (7.72 in.)
4	445BC3	—	—	Plunger, Steel
5	—	445BD1	—	Plunger, ⚠ (7-1/4 in.)
6	—	445BD2	—	Plunger, ⚠ (7-9/16 in.)
7	—	445BD3	—	Plunger, No Hand (6-9/16 in.)

15-C7063E

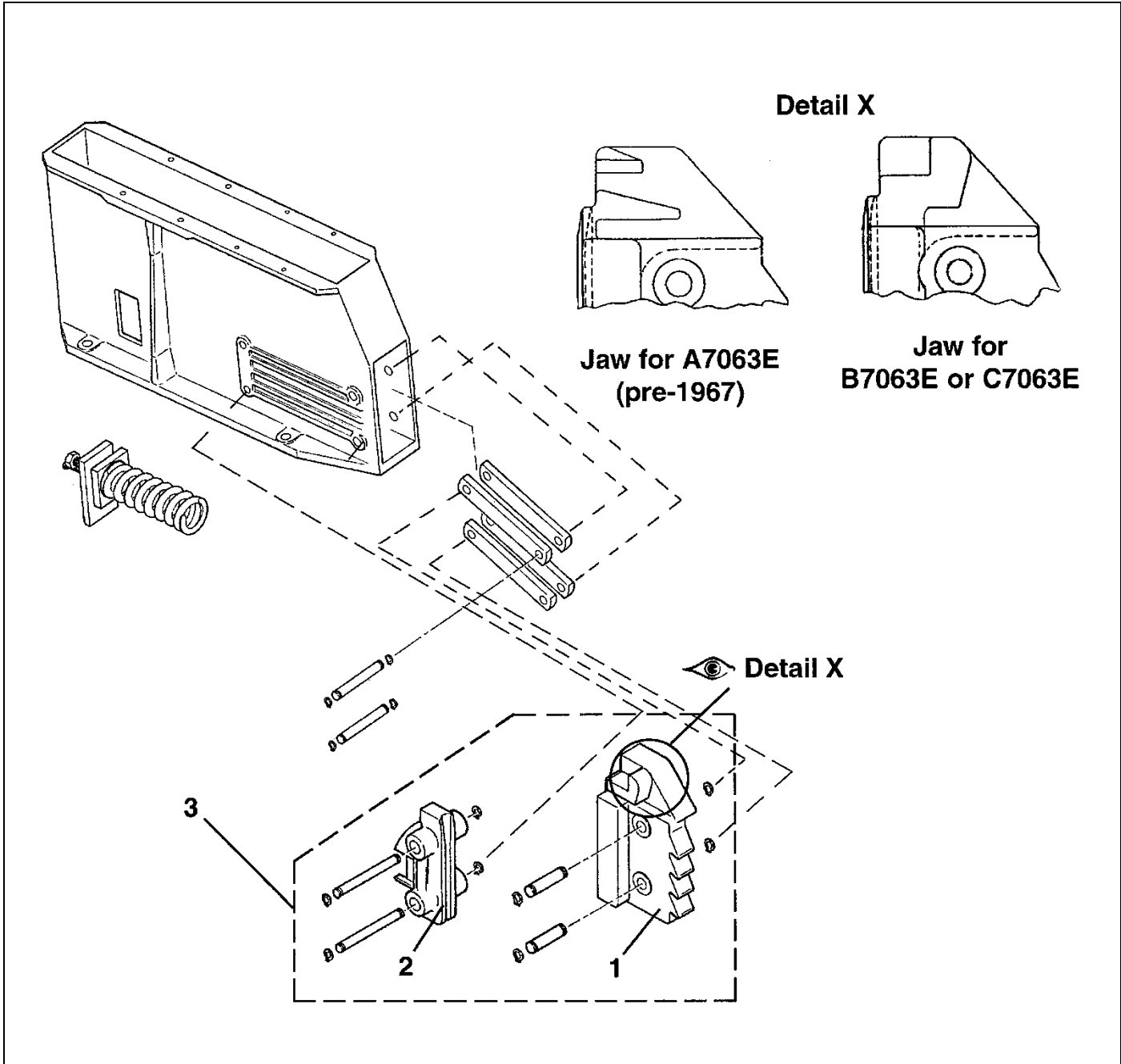
Type 7063E Governor Sheave and Shaft Assembly



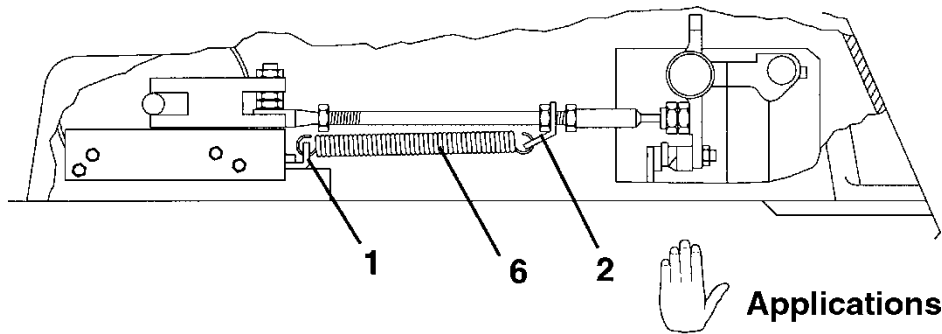
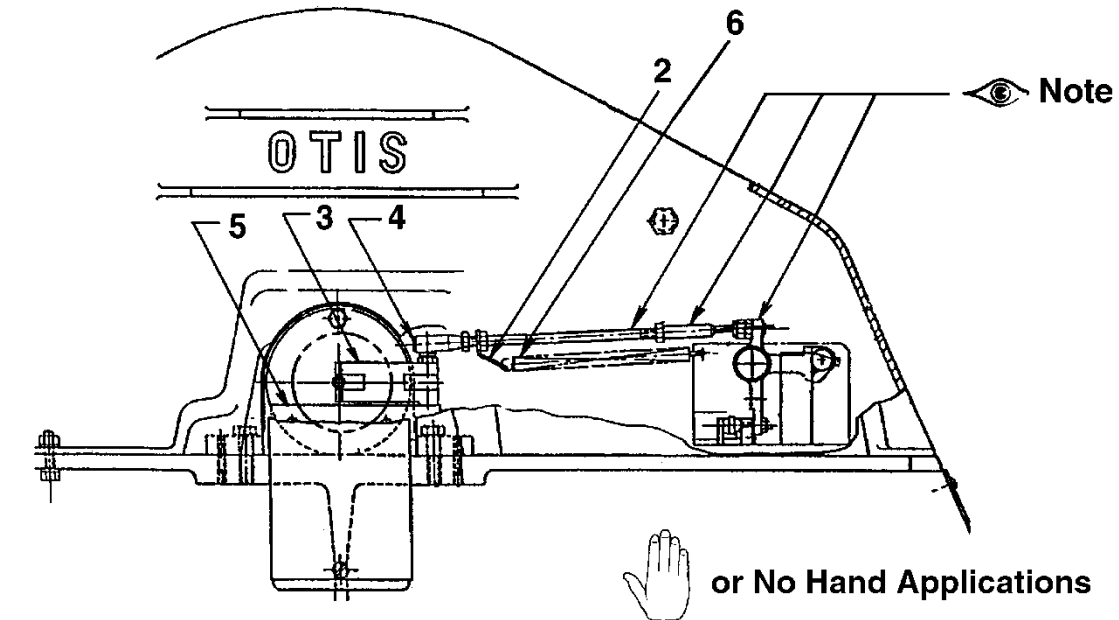
REF. NO.	PART NUMBER			DESCRIPTION
	W/O VINTAGE Pre-1967 Production	W/O VINTAGE	VINTAGE Y 01	
	A7063E	B7063E	C7063E	
1	—	AAA7063AQ998	—	Assembly, Sheave & Shaft
	AAA7063AQ999	—	—	
2	—	495CJ1	—	Shaft, with 5/8 in. Ⓢ Bushings
	495CJ2	—	—	Shaft, Service Replacement, with 3/8 in. Ⓢ Bushings

Rope Clamp




15-C7063E

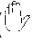

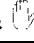


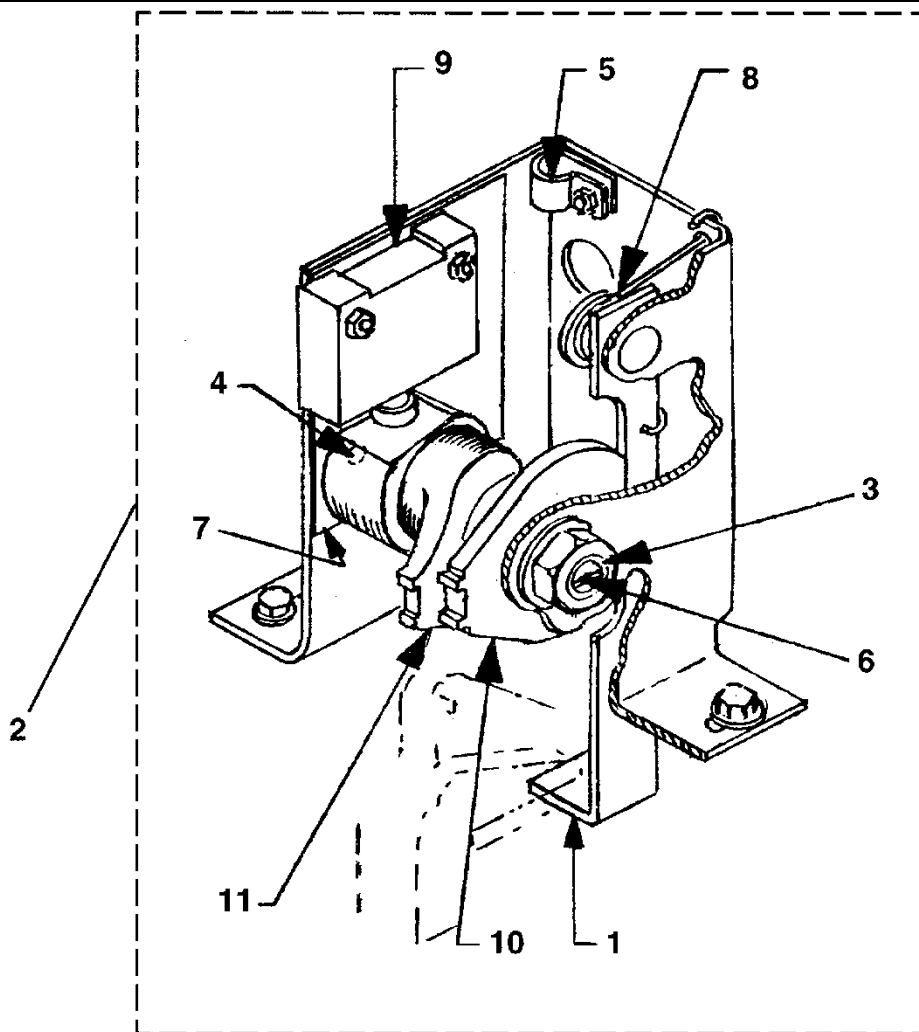
REF. NO.	PART NUMBER		DESCRIPTION
	W/O VINTAGE A7063E	W/O VINTAGE OR Y 01 B & C7063E	
1	398AJ2	398AJ3	Jaw, Movable (👁️ Detail X Above)
2	A398AD2		Jaw, Stationary
3	AAA7063AP2	AAA7063AP1	Kit, Rope Clamp, Jaws & Pins



Note:

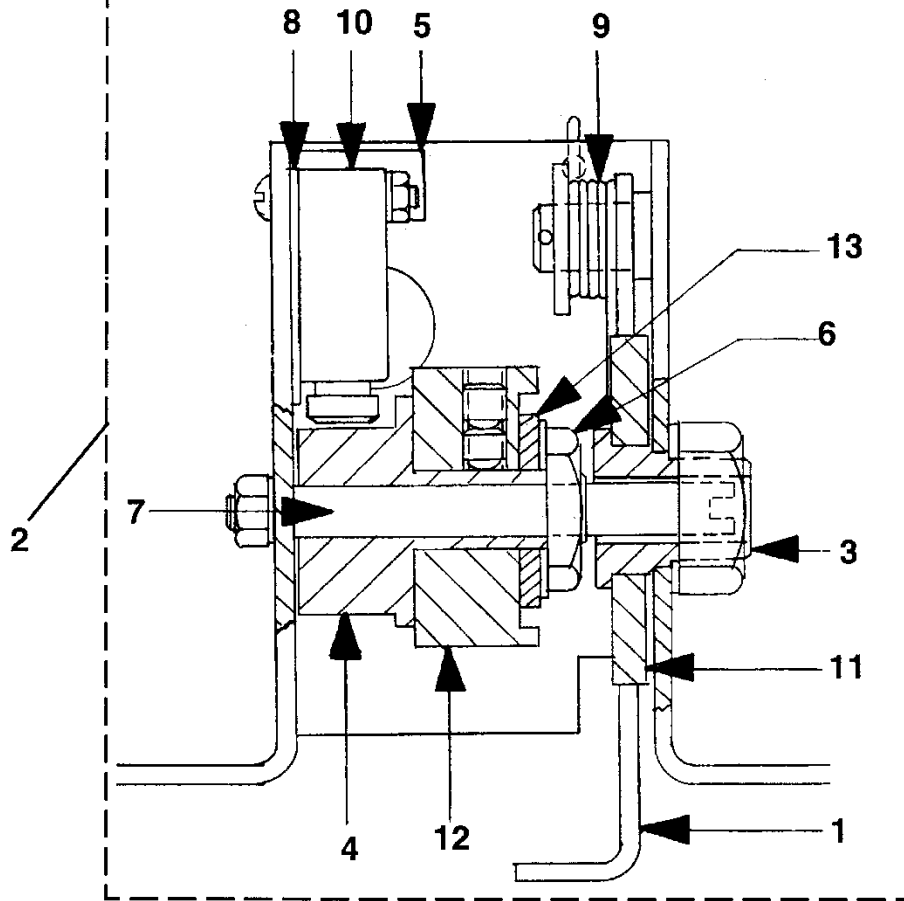
-  pp. 16 & 18 for trippers used on A7063E governors
-  p. 19 for trippers used on B7063E governors
-  p. 20 for trippers used on C7063E governors

REF. NO.	PART NO. OR ML	DESCRIPTION
1	AAA149AP1	Anchor, Spring ( Governors Only)
2	AAA149AQ1	Anchor, Spring ( &  Governors)
3	307AW1	Bell Crank, Forked, B7063E Governors
	307BC1	Bell Crank, Forked, C7063E Governors
4	307AY2	Lever, Swivel
5	A462FG1	Spacer Block for Auxiliary Switch, B7063E Governor Applications
	462FX2	Spacer Block for Auxiliary Switch, C7063E Governor Applications
6	AAA91AT1	Spring, Extension



Used on A7063E version governors 150 fpm to 350 fpm
(production prior to 1967)

REF. NO.	A7063E PART NO. OR ML	DESCRIPTION
1	283CN2	Angle, Trip
2	A7063B2	Assembly, Tripper (Pre-1967 Installation for Speeds 150 fpm to 350 fpm)
3	321DD1	Bushing
4	331AS1	Catch, Friction, Spring-Loaded Ball
5	336CZ1	Clamp
6	77VH1	Pin, Shouldered, with ¼-20 Thread on End
7	278BL1	Shield
8	92AJ1	Spring, Torsion
9	7035A116	Switch, Single Breaking Pushbutton
10	446AF1	Tripper
11	446AH1	Tripper

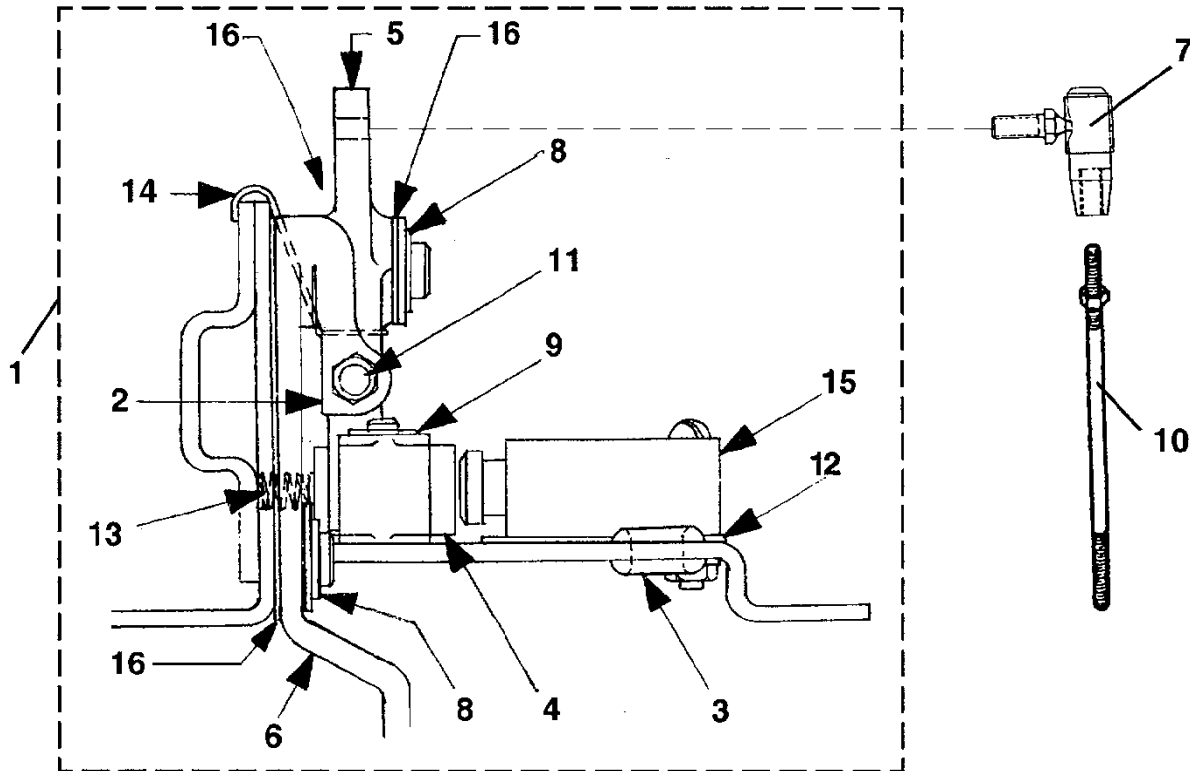


Used on A7063E version governors 350 fpm & up
(production prior to 1967)

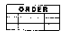
REF. NO.	A7063E PART NO. OR ML	DESCRIPTION
1	283CN2	Angle, Trip
2	7063G1	Assembly, Tripper (Pre-1967 Installation for Speeds Over 350 fpm)
3	321DD1	Bushing
4	327HS1	Cam
*	331AS1	Catch, Friction, Spring-Loaded Ball (Not Shown)
5	336CZ1	Clamp
6	72CP2	Nut
7	77VH1	Pin, Shouldered, with 1/4-20 Thread on End
8	278BL1	Shield
9	92AJ1	Spring, Torsion
10	7035A116	Switch, Single Breaking Pushbutton
11	446AF1	Tripper
12	446AG1	Tripper
13	130AK1	Washer, Special

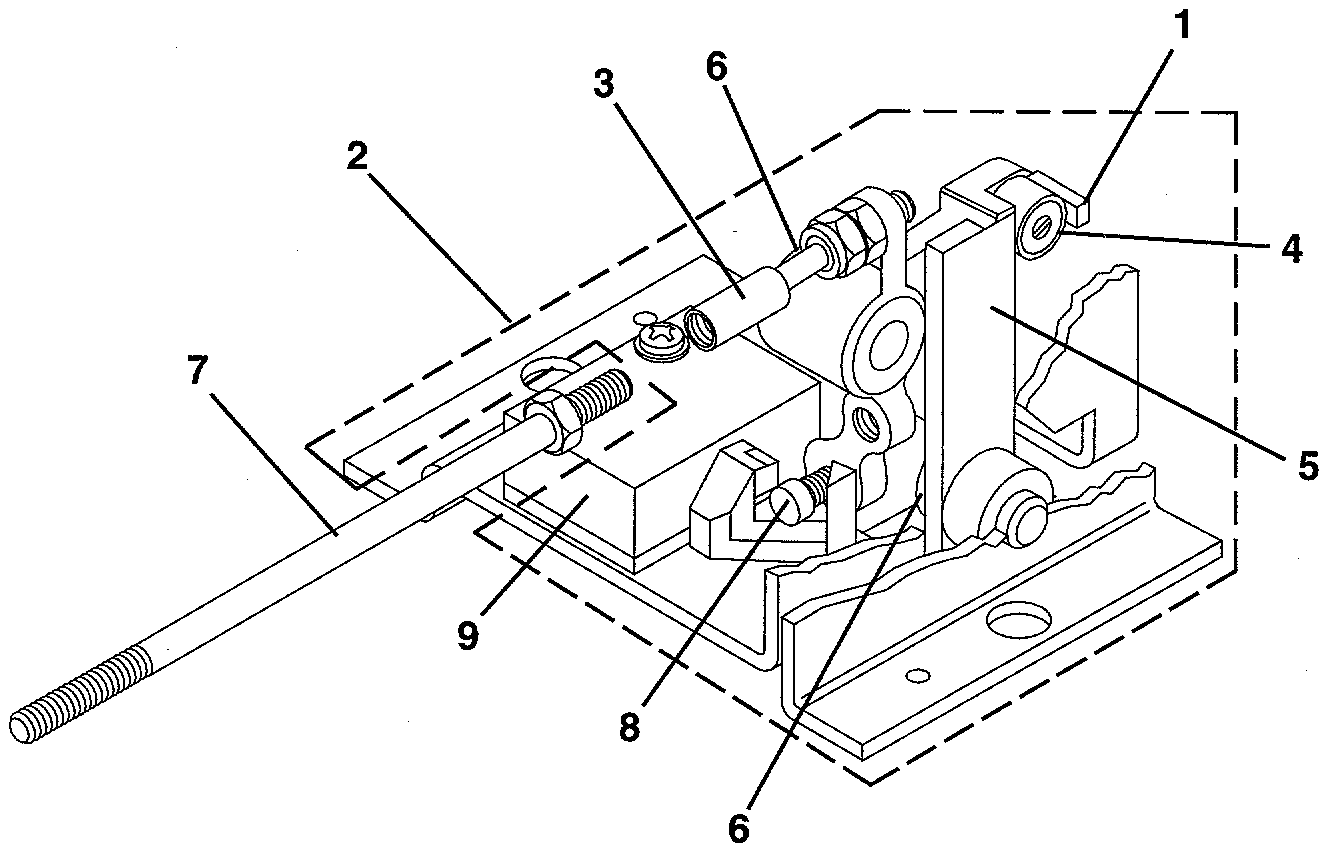
7063Y Tripper Switch

15-C7063E



Used on B7063E governors
(production 1967–1972 w/o vintage)

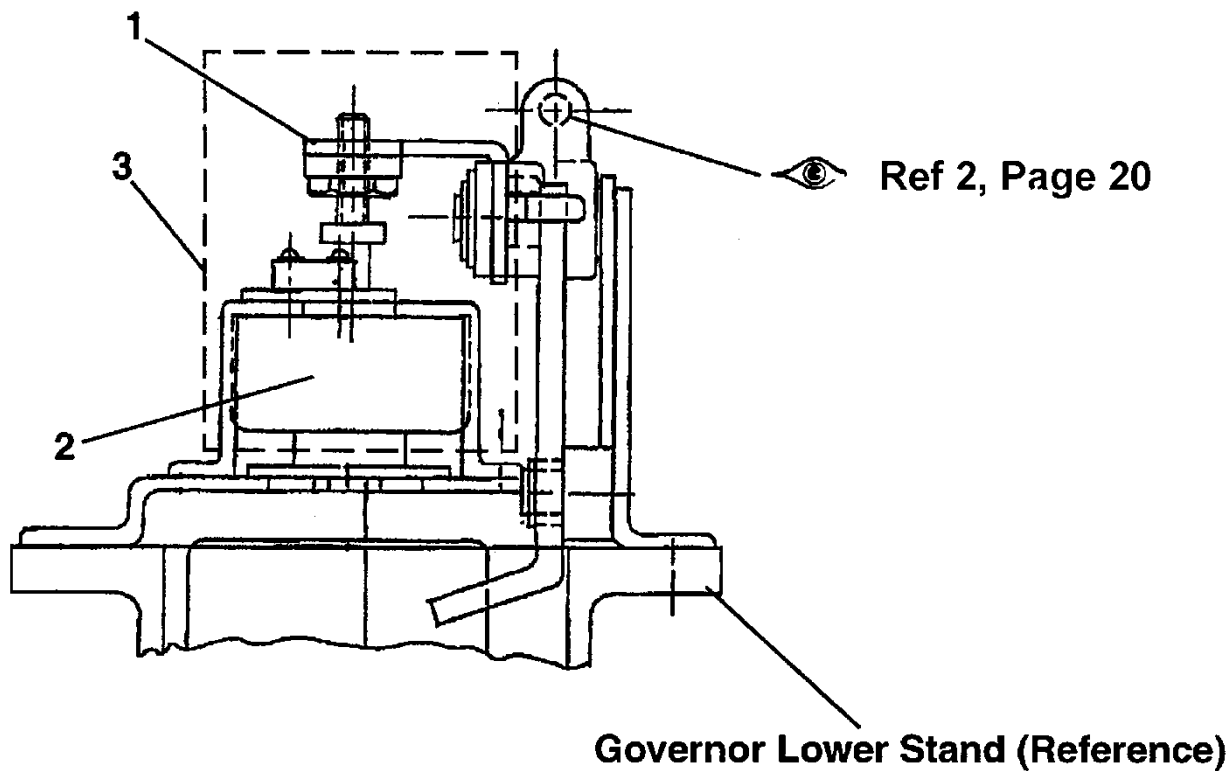
REF. NO.	W/O VINTAGE B7063E PART NO. OR ML	DESCRIPTION
1	7063Y1 7063Y2	Switch, Type 7063BB  (1) Ref. 2 & (1) Ref. 7 from p. 20
2	446AL1	Arm, Tripper
3	334H8	Bushing
4	327JG1	Cam
5	288NJ1	Lever
6	288MV1	Lever
7	307AY2	Lever, Swivel
8	172DE20	Ring, Retaining 0.34 in. 
9	172DE25	Ring, Retaining 0.22 in. 
10	96H222	Rod, Threaded, 7-1/8 in. Long
11	124CV1	Screw, Socket Set
12	278BL1	Shield
13	90LA5	Spring, Compression
14	92AM1	Spring, Torsion
15	7035A116	Switch, Single Breaking Pushbutton
16	129CD1	Washer (Total of 5 Used in Assembly)



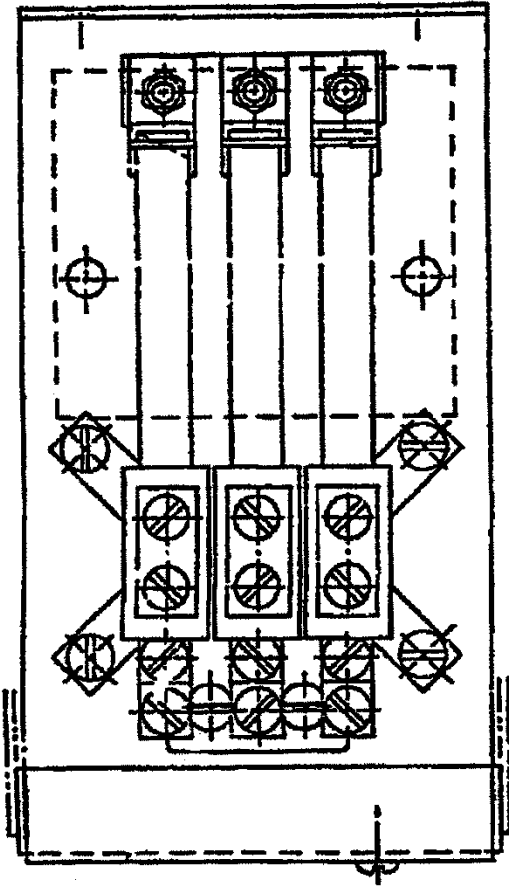
Used on C7063E governors in production 1972–up (Y 01 vintage).

VINTAGE Y 01 1972–up Production			
REF. NO.	PART NO. OR ML	DESCRIPTION	APPLICATION
1	288PW1	Arm, Tripper	
2	7063BB1	Assembly, Tripper	↕, Counterweight, or Governors w/o Aux. Switch
	7063BB3	Assembly, Tripper	↕
3	V307BB4 AAA708A1	Ball Joint	
4	207BM1	Bearing, Roller	
5	288PV1	Lever	
6*	172DE20	Ring, Retaining	
7	96CJ33	Rod, Threaded, 6.12 in. Long	
8	65FD1	Screw, 10-32 Trip Switch	
9	7035A106	Switch, Single Making	

* For location only. Part not shown.

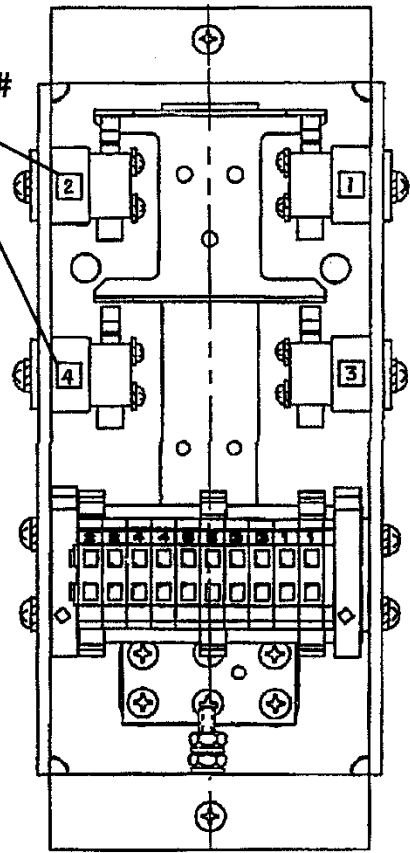


C7603E GOV. ONLY			
REF. NO.	PART NO. OR ML	DESCRIPTION	GOVERNOR APPLICATIONS (REF. 3 ONLY)
1	AAA287CR1	Lever, Extension	
2	AAA656A1	Solenoid	
3	AAA7063AD2	Solenoid, Tripper, B44	☞ Car, Counterweight, or Car w/o Side Auxiliary Switch
	AAA7063AD4	Solenoid, Tripper, B44	☞ Car



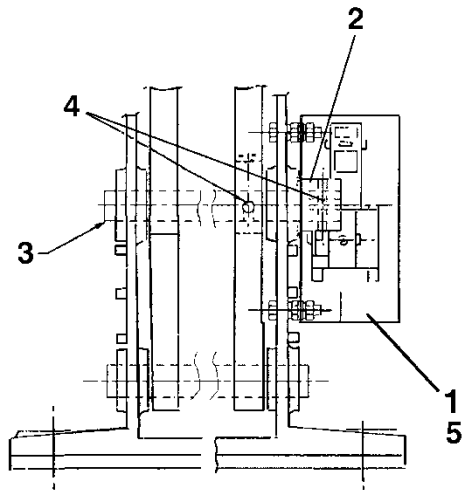
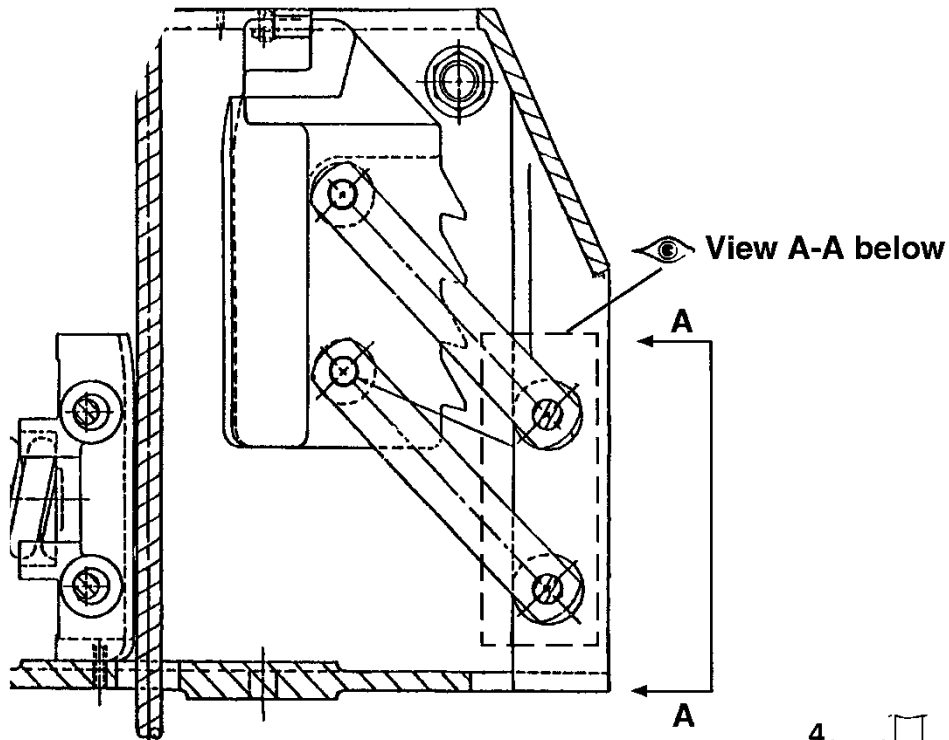
A7063J

Note switch #



AAA7063AF

SWITCH ASSEMBLY PART NO.	SWITCH OR CONTACT TYPE	TERMINAL SLOWDOWN APPLICATION	CONTACT CONFIGURATION
A7063J5	Finger	Emergency Terminal Slowdown	1 Making 2 Breaking
A7063J4	Finger	Two-Step ETS	1 Making 4 Breaking
AAA7063AF2	Microswitch	Emergency Terminal Slowdown	(Switch Numbers 1 & 2) Both Breaking
AAA7063AF1	Microswitch	Two-Step ETS	(Switch Numbers 1-4) All Breaking
AAA177EP1	Microswitch, for All AAA7063AF Parts		

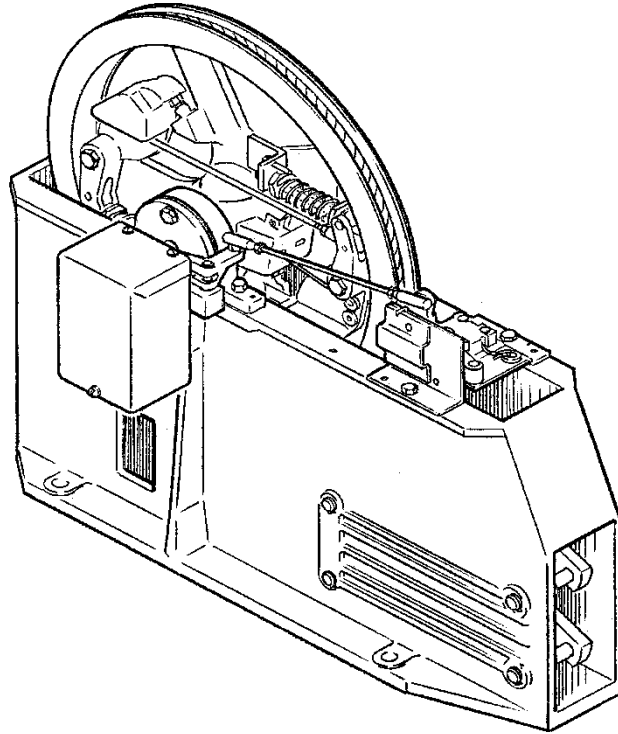


View A-A

REF. NO.	W/O VINTAGE & VINTAGE Y 01 PART NO. OR ML	DESCRIPTION
*1	FO174SR8	Cable, CEN Code
2	AAA288ABB1	Lever
3	AAA81JV1	Pin, Extended, CEN Code
4	81AX7	Pin, Roll
5	KO177AA4	Switch, CEN Code

* For location only. Part not shown.

 shown w/o cover



Example Complete Governor Identities

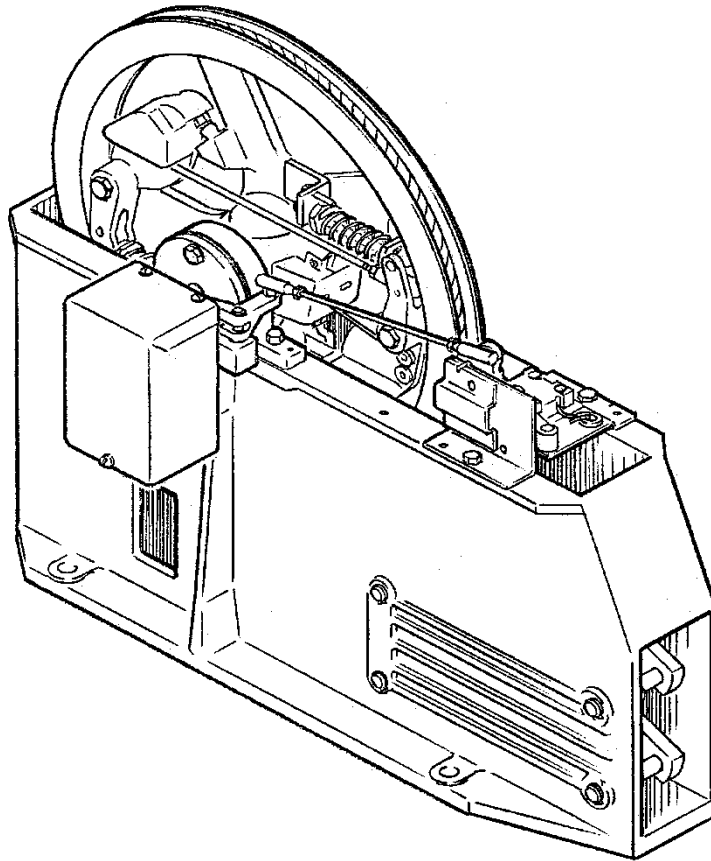
C7063E ***-xxx-yyy-zzz
 C7063E993-500-STD-2STEP or C7063E999-300-B44

Table A

When ordering a complete governor, specify the appropriate base number from the table on the next page. To complete the part number, specify all three of the suffix variables “xxx, yyy, zzz” based on the explanation for each suffix below.

SUFFIX VARIABLE SYMBOL	DEFINITION OF VARIABLE SYMBOLS
xxx	Speed in feet per minute (fpm). Specify 3 or 4 numerals from selected contract speeds offered: 250 – 500 in 50 fpm increments, or 600, 700, 800, 1000, and 1200 fpm.
yyy	Code version of governor. Specify 3 characters: Std = (Standard) for governors used in USA or B44 = For governors needing Canadian B44 code requirements
zzz	Type of terminal slowdown. Specify 3 or 4 characters or <u>no</u> suffix for zzz . 2STEP = Two-Step Emergency Terminal Slowdown (Normally needed for reduced stroke buffer condition) ETS = Emergency Terminal Slowdown or Left Blank = No Auxiliary Switch at all




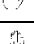
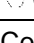
 shown w/o cover



Example Complete Governor Identities

C7063E ***-xxx-yyy-zzz

C7063E993-500-STD-2STEP or C7063E999-300-B44

PART NUMBER	DESCRIPTION
C7063E***-xxx-yyy-zzz	Governor Assembly Part Number Template where *, x, y & z are variable.  Table A, p. 24, to specify complete p/n.
C7063E992-____	C7063E  Car Governor, Complete w/(Side) Aux. Switch
C7063E993-____	C7063E  Car Governor, Complete w/(Side) Aux. Switch
C7063E994-____	C7063E Counterweight Governor, Standard
C7063E995-____	C7063E NH Car Governor, Complete w/o (Side) Aux. Switch
C7063E996-____	C7063E  Car, B44 Code Governor, Complete w/(Side) Aux. Switch
C7063E997-____	C7063E  Car, B44 Code Governor, Complete w/(Side) Aux. Switch
C7063E998-____	C7063E Counterweight Governor, B44
C7063E999-____	C7063E NH Car, B44 Code Governor, Complete w/o (Side) Aux. Switch