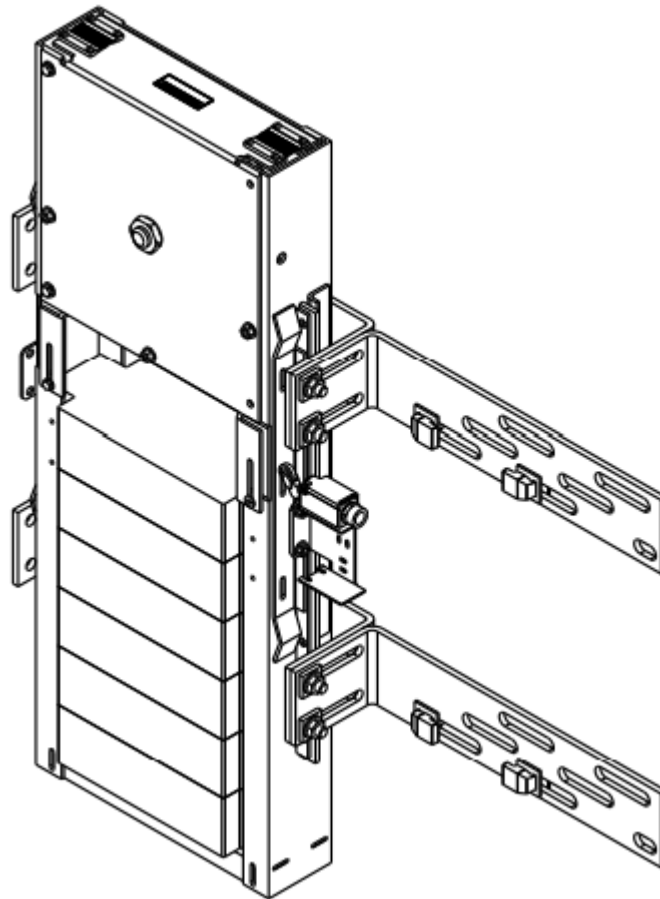


**Tension Frame:
WITTUR® OL100**

**Spare Parts Leaflet
15-AAA22700AF**

September 18, 2024 / Page 1 of 3



OTIS

This document does not contain any technical data subject to EAR or ITAR

**SERVICE ENGINEERING
Otis Elevator Company
Bloomfield, Connecticut USA**

Unpublished Work—© Otis Elevator Co.; 2024

Leaflet Description

This leaflet provides information for the WITTUR® OL100 governor tension frame.

Leaflet Revisions

Date Revised	Subject Matter Expert	Reason for Revision
September 9, 2024	Gary Mendrala	New document

Related Drawings

Drawing No.	Title	Drawing No.	Title
AAA22700AF	Tension Frame Wittur OL100	AAA712Q	Wire Rope
AAA20620A	Wittur OL100 Governor	AAA6612AW	Terminations

Related Documents

Document ID	Title
SPL 15-AAA20620A	WITTUR® OL100 Governor
SPL 11-AAA712P	Wire Rope, Coated Steel Belts (CSB), and Tools
SPL 11-AAA6612AW	Wire Rope Terminations
TIP 9.0-4	Replacement Governor Selection

Subject Matter Expert

Name	Department
Gary Mendrala	Service Engineering/ OSC

About Spare Parts Leaflets...

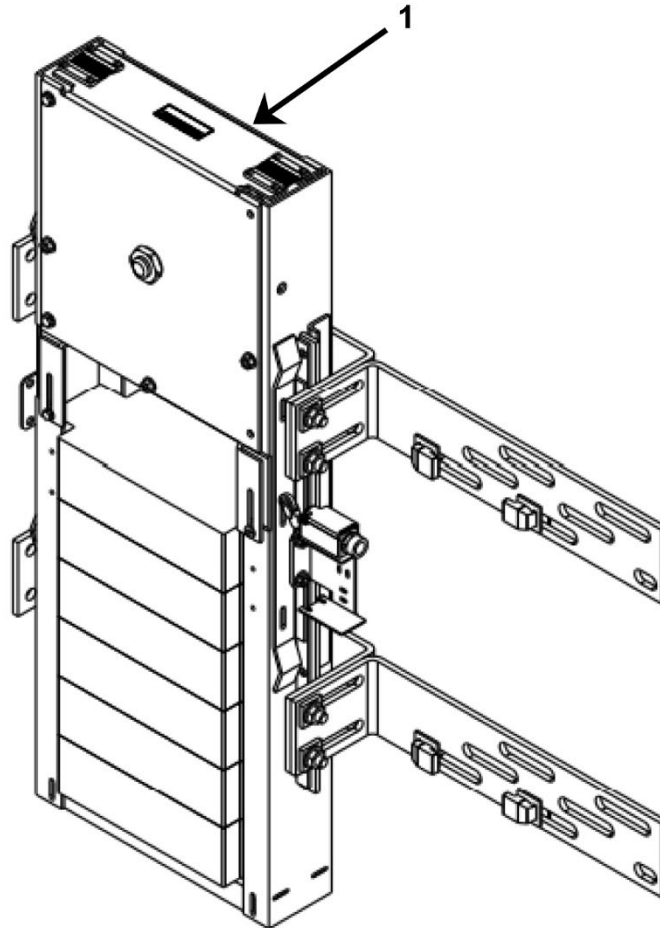
This document lists the lowest replaceable units (LRUs) for the standard version of the product. The LRUs are chosen by a team of Otis associates representing engineering and manufacturing.

While goal of this document is to make parts identification as easy as possible, the document cannot be all-inclusive. Elevator and escalator contracts classified as “special” or “custom” are not addressed here. For such contracts, please refer to specified information, the contract folder, TIPs, Field Education Articles, Construction Letters, etc. for further information.

If you have any suggestions about this document, please contact the subject matter expert listed on this page.

Tension Frame

15-AAA22700AF



	VINTAGE	
REF. No.	PART No.	DESCRIPTION
1	AAA22700AF16	Tension Frame, WITTUR® OL100, 0–328 ft. Rise
	AAA22700AF17	Tension Frame, WITTUR® OL100, 329–492 ft Rise
	AAA22700AF18	Tension Frame, WITTUR® OL100, 493–656 ft Rise
	AAA22700AF19	Tension Frame, WITTUR® OL100, 657–820 ft Rise
	AAA22700AF20	Tension Frame, WITTUR® OL100, 821–984 ft Rise
	AAA22700AF21	Tension Frame, WITTUR® OL100, 985–1148 ft Rise