

Governor Deflector Stand (GDS)

Spare Parts Leaflet

15-AAA20602B

March 27, 2019 / Page 1 of 4



Samson Governor
(sold separately)



SPL 15-TBA20602C for details.

Governor
Deflector Stand
(GDS)

AAA20602B1 Shown

OTIS

This document does not contain any
technical data subject to EAR or ITAR

SERVICE ENGINEERING
Otis Elevator Company
Bloomfield, Connecticut USA

Unpublished Work—© Otis Elevator Co.; 2019

Leaflet Description

This leaflet provides replacement component information for the governor deflector stand (GDS). The GDS is designed to allow late model 12 in. governors to replace 16 in. fly ball governors. The GDS provides the same rope offset through the floor. Due to the increased governor height, rope replacement is required. AAA20602B1 is used to mount an Apollo or Samson governor and adapt to a 16 inch floor pitch. AAA20602E2 is used to mount an HSXMR or B7063A governor and adapt to either a 12 inch or 16 inch floor pitch. The offset is adjusted by moving the lower sheave bracket to the adjacent hole pattern.

Leaflet Revisions

Date Revised	Subject Matter Expert	Reason for Revision
December 8, 2010	Gary Mendrala	New SPL
February 27, 2013	Gary Mendrala	Corrected ref. 5 on p. 3
October 7, 2015	Gary Mendrala	Added new p. 4
March 27, 2019	Gary Mendrala	Added p/n AAA20602E2 on p. 4

Related Drawings

Drawing No.	Title	Drawing No.	Title
AAA20602B	Governor Deflector Stand	TAA267B	Sheave Assembly
AAA384AQN	Guard, Stand	TAA464BV	Bushing
TAA124CE	Bolt	TAA207H	Bearings

Related Documents

Document ID	Title
TIP 9.0-3	Governor Deflector Stand AAA20602B1 (replacement of existing 16-in. with 12-in. governor)
SPL 15-TBA20602B	Apollo Governor
SPL 15-TBA20602C	Samson Governor

Subject Matter Expert

Name	Department
Gary Mendrala	OSC Service Engineering

About Spare Parts Leaflets...

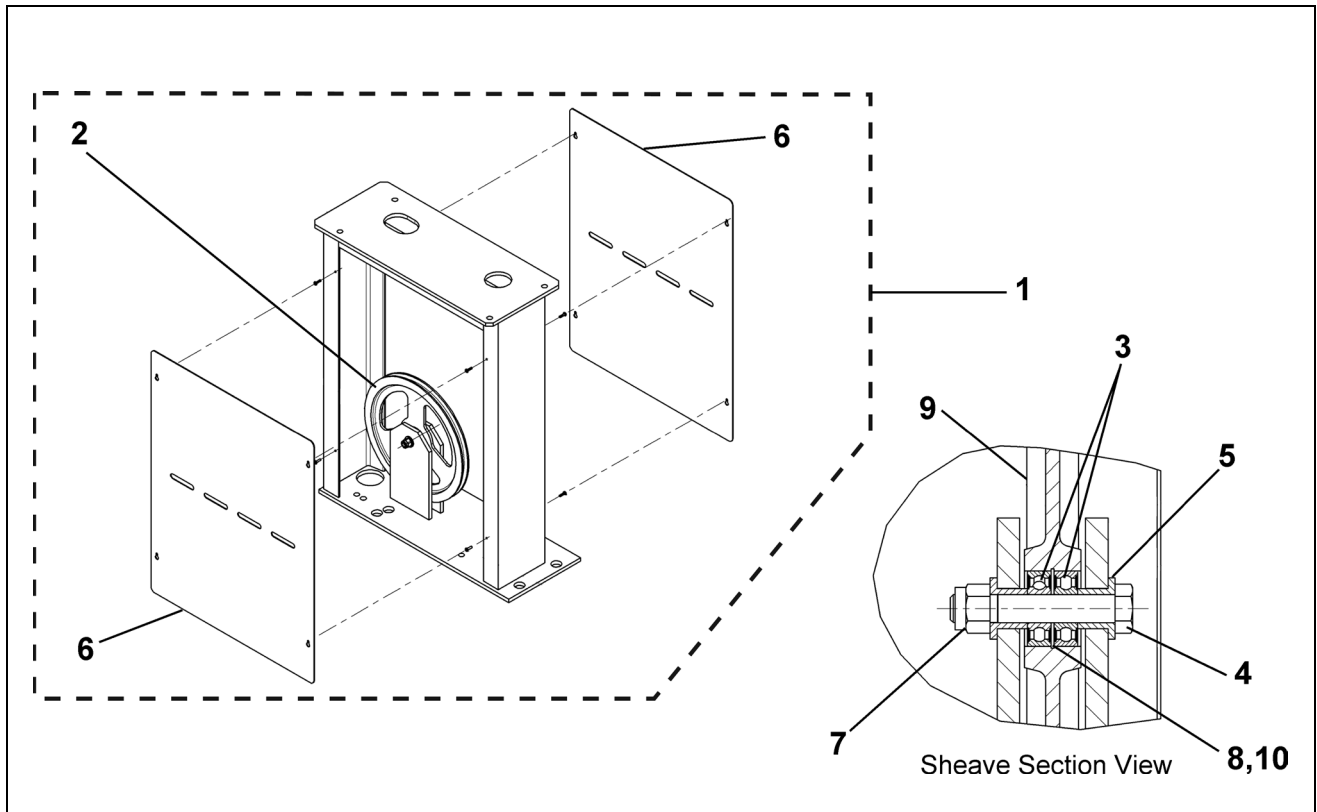
This document lists the lowest replaceable units (LRUs) for the standard version of the product. The LRUs are chosen by a team of Otis associates representing engineering and manufacturing.

While goal of this document is to make parts identification as easy as possible, the document cannot be all-inclusive. Elevator and escalator contracts classified as "special" or "custom" are not addressed here. For such contracts, please refer to specified information, the contract folder, TIPs, Field Education Articles, Construction Letters, etc. for further information.

If you have any suggestions about this document, please contact the subject matter expert listed on this page.

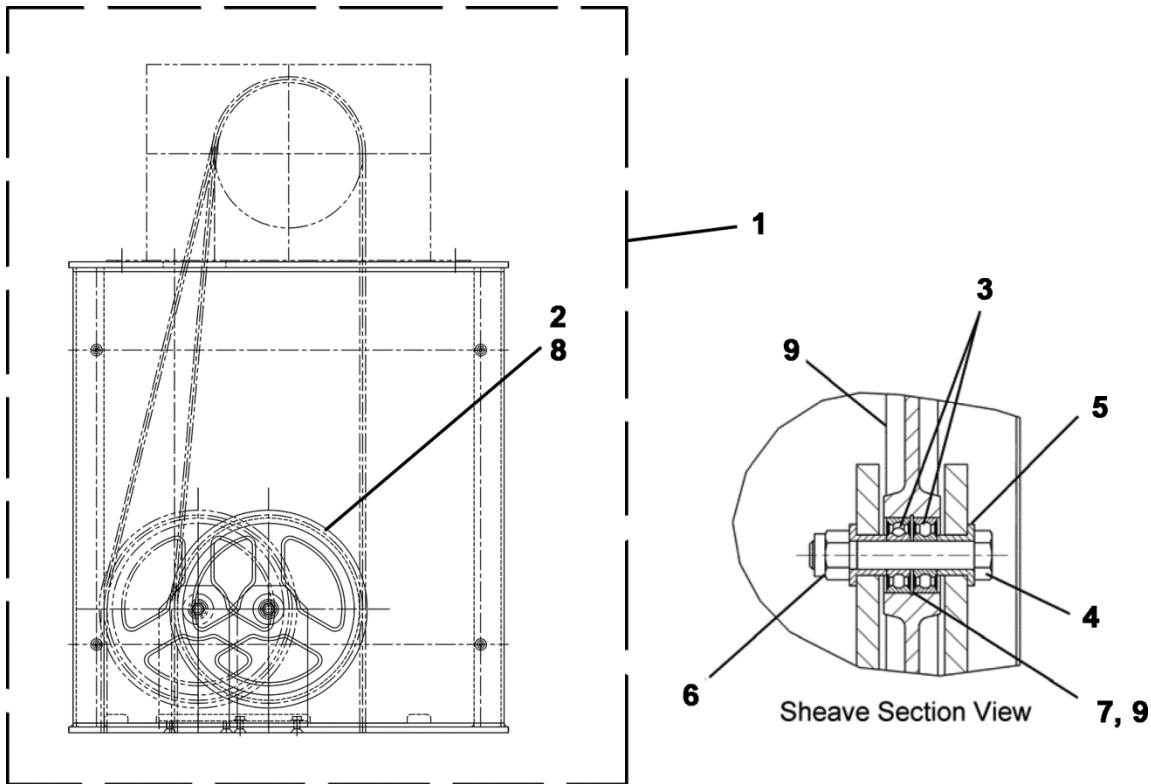
Type AAA20602B GDS Assembly

15-AAA20602B



NOTE: This governor deflector stand permits the installation of a Samson or Apollo governor for applications with a 16 inch pitch in the floor.

	W/O VINTAGE	
REF. No.	PART No.	DESCRIPTION
1	AAA20602B1	Assembly, GDS
2	TAA267B4	Assembly, Sheave (including 1 sheave, 2 bearings, 1 washer, 1 retaining ring)
3	TAA207H2	Bearings
4	TAA124CE1	Bolt
5	TAA464BV1	Bushing
6	AAA384AQN1	Guard, Governor
7	-	Locknut, M12-10 (purchase locally)
8	-	Ring, Retaining, DIN 472 32 x 1.2 (purchase locally)
9	TAA267B3	Sheave, 305 mm Dia., 3/8 in. or 10 mm Rope Dia.
10	KO131A1	Washer



NOTE: This governor deflector stand permits the installation of an HSXMR or B7063A governor to achieve a 12 inch or 16 inch pitch in the floor. The stand base plate has a mounting pattern that matches the Samson or C7063E governors.

W/O VINTAGE		
REF. No.	PART No.	DESCRIPTION
1	AAA20602E1 AAA20602E2	Assembly, GDS
2	TAA267B4	Assembly, Sheave (including 1 sheave, 2 bearings, 1 washer, 1 retaining ring)
3	TAA207H2	Bearings
4	TAA124CE1	Bolt
5	TAA464BV1	Bushing
6	-	Locknut, M12-10 (purchase locally)
7	-	Ring, Retaining, DIN 472 32 x 1.2 (purchase locally)
8	TAA267B3	Sheave, 305 mm Dia., 3/8 in. or 10 mm Rope Dia.
9	KO131A1	Washer