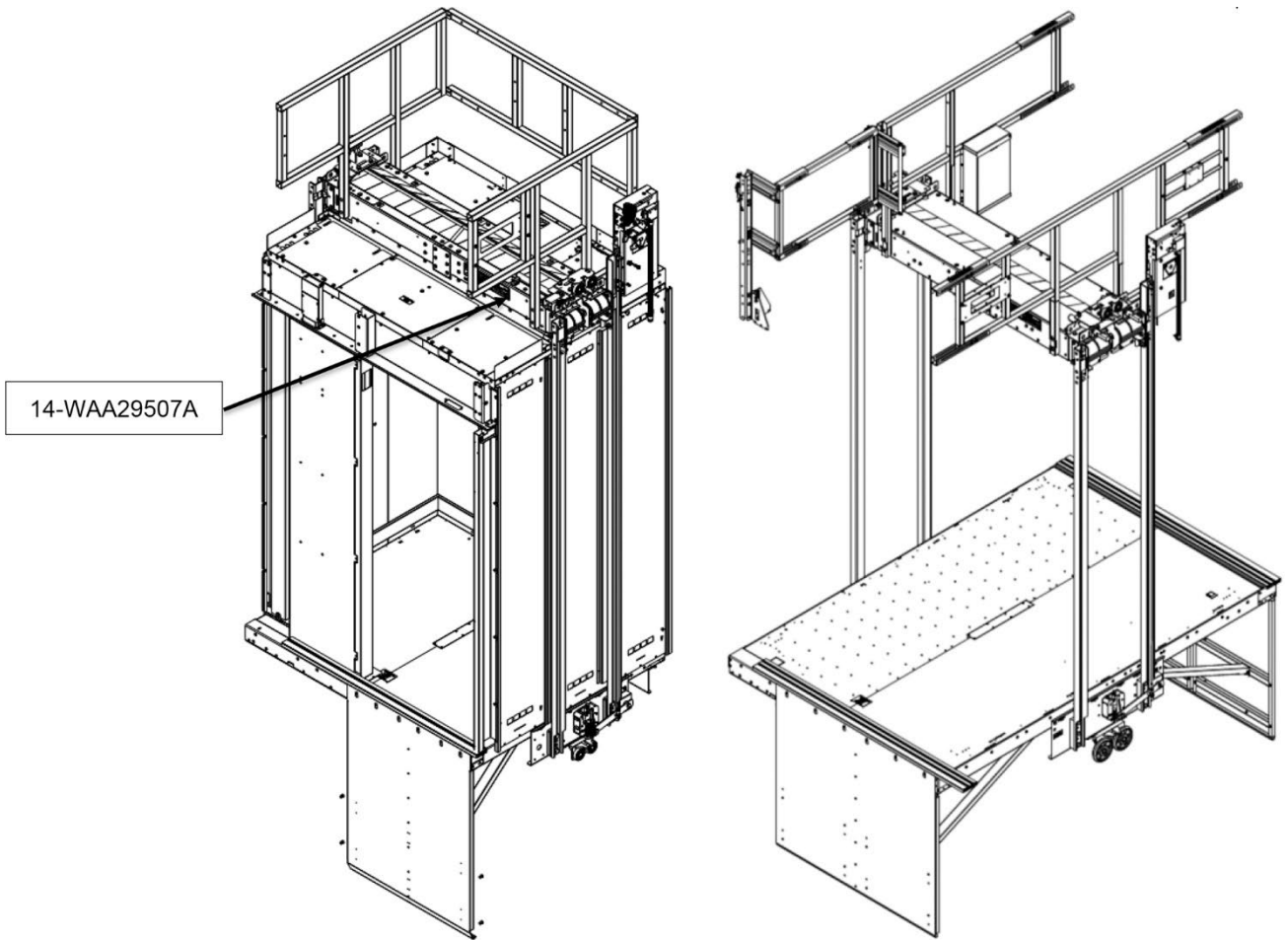


**Gen3 Core (150)
Cab & Car frame
(2100-3500 lb. Duties)**

Spare Parts Leaflet

14-WAA29507A

November 13, 2024/ Page 1 of 19



This document contains technical data
subject to EAR. ECCN=EAR99

SERVICE ENGINEERING

Otis Elevator Company

Bloomfield, Connecticut USA

Unpublished Work—© Otis Elevator Co.; 2024

History

14-WAA29507A

Leaflet Description

This spare parts leaflet covers the cab and car frame spare parts used on the, 2100-3500 lb duties, Gen3 Core 150/200.

Leaflet Revisions

Date Revised	Subject Matter Expert	Reason for Revision
See Next Page for Revision History		

Related Drawings

Drawing No.	Title	Drawing No.	Title
WAA29507A	Carframe Assembly	AAA21303EZ	Terminal Block Assembly
WBA347DV	Right ceiling Assembly	WBA368BN	Ceiling(Emergency Exit)
WAA24520C	Light Ray Device	WAA347DY	Ceiling
WAA21303D	Terminal Block Assembly	AAA24720AB	Car ventilation

Related Documents

Document ID	Title
SPL 15-TCB20641J	Governor, Manual and Remote Reset
SPL 14-AAA24180AW	Roller guide
SPL 14-KAA24120AAJ	Safety
SPL 14-AAA20780AP	Sheave assembly, non-rotating shaft
SPL 17-WAA25580C	Top-of-Car Handrail

Subject Matter Expert

Name	Department
Kevin Ge	Engineer LDC/Shanghai

About Spare Parts Leaflets...

This document lists the lowest replaceable units (LRUs) for the standard version of the product. The LRUs are chosen by a team of Otis associates representing engineering and manufacturing.

While goal of this document is to make parts identification as easy as possible, the document cannot be all-inclusive. Elevator and escalator contracts classified as "special" or "custom" are not addressed here. For such contracts, please refer to specified information, the contract folder, TIPs, Field Education Articles, Construction Letters, etc. for further information.

If you have any suggestions about this document, please contact the subject matter expert listed on this page.

History (continued)

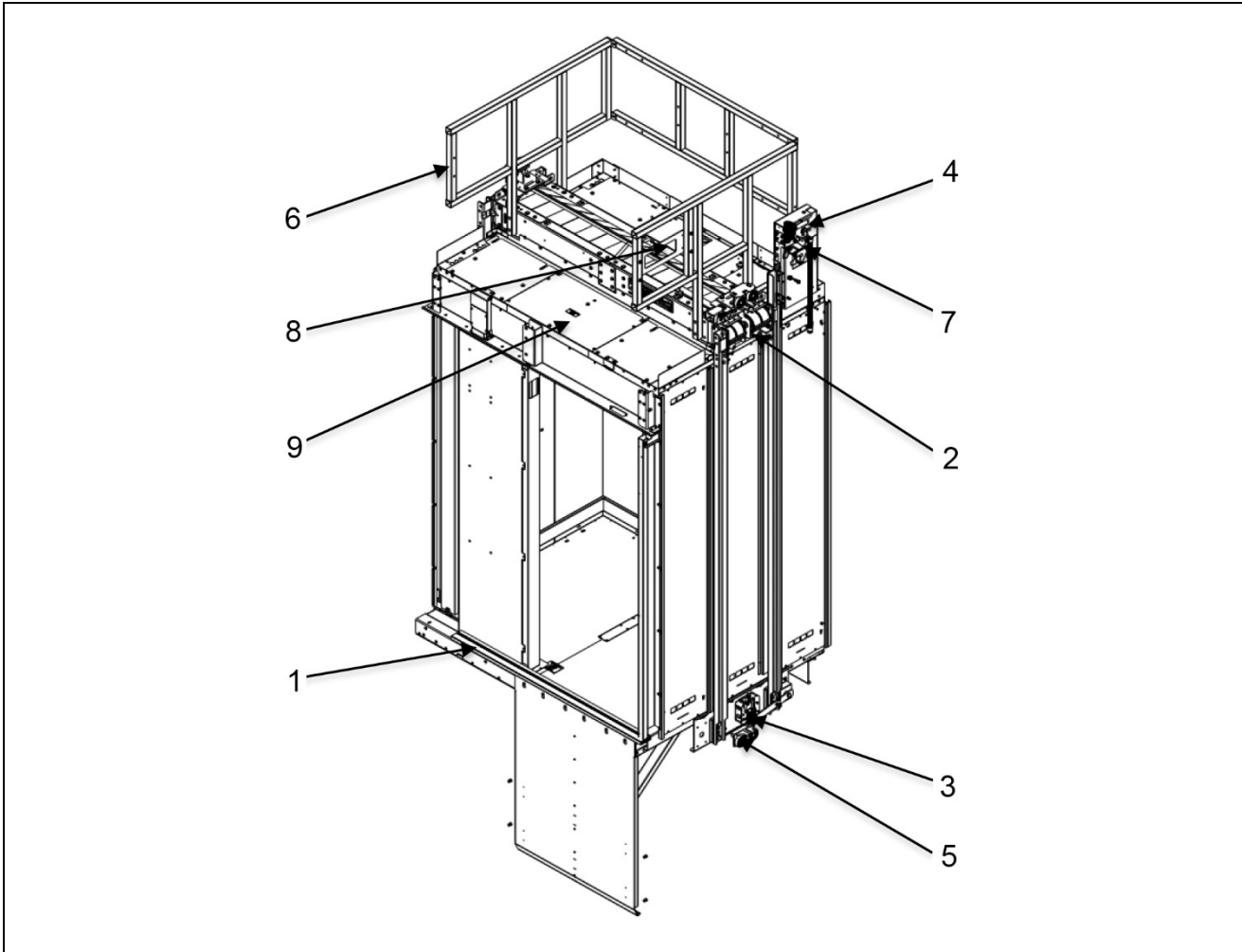
14-WAA29507A

Leaflet Revisions

Date Revised	Subject Matter Expert	Reason for Revision
March 21, 2022	Kevin Ge	New SPL
February 2, 2023	Yuancheng You	Page 4: Updated the duplicate AAA280BJ8 & AAA280BN8 & AAA280BM8. Page 13: Updated description for item 4 and 5.
July 21, 2023	Haiyan Li	1. Updated related drawings WAA347DV, WAA368BN to WBA 2. WAA24520C was WAA24520A, WAA21303D was WAA21303C Updated page 13 illustration of electrical part location
March 20, 2024	Richard Blakelock & Juan Murillo	Page 2, Related documents: SPL 14-WAA20780A was SPL 14-AAA20780AP. Page 5: Ref. No. 3 was WAA384G1; removed Ref. No. * Page 6: Removed parts and added pointer to SPL 14-WAA20780A Page 7: Ref. No. 1 was WAA288L1, Ref. No. 5 was AAA22800T3 Page 12: Added AAA712AK2 Lanyard and AAA81QN3 Pin.
November 13, 2024	Juan Murillo	Added thresholds for 2-sp operators (p. 6); Added safety linkage arms & assys (p. 90); added linkage rod assys (p.10); added roller guide and updated illustration (p. 11); added illustration of service duty TOC handrail (p. 12).

Table of Contents

14-WAA29507A



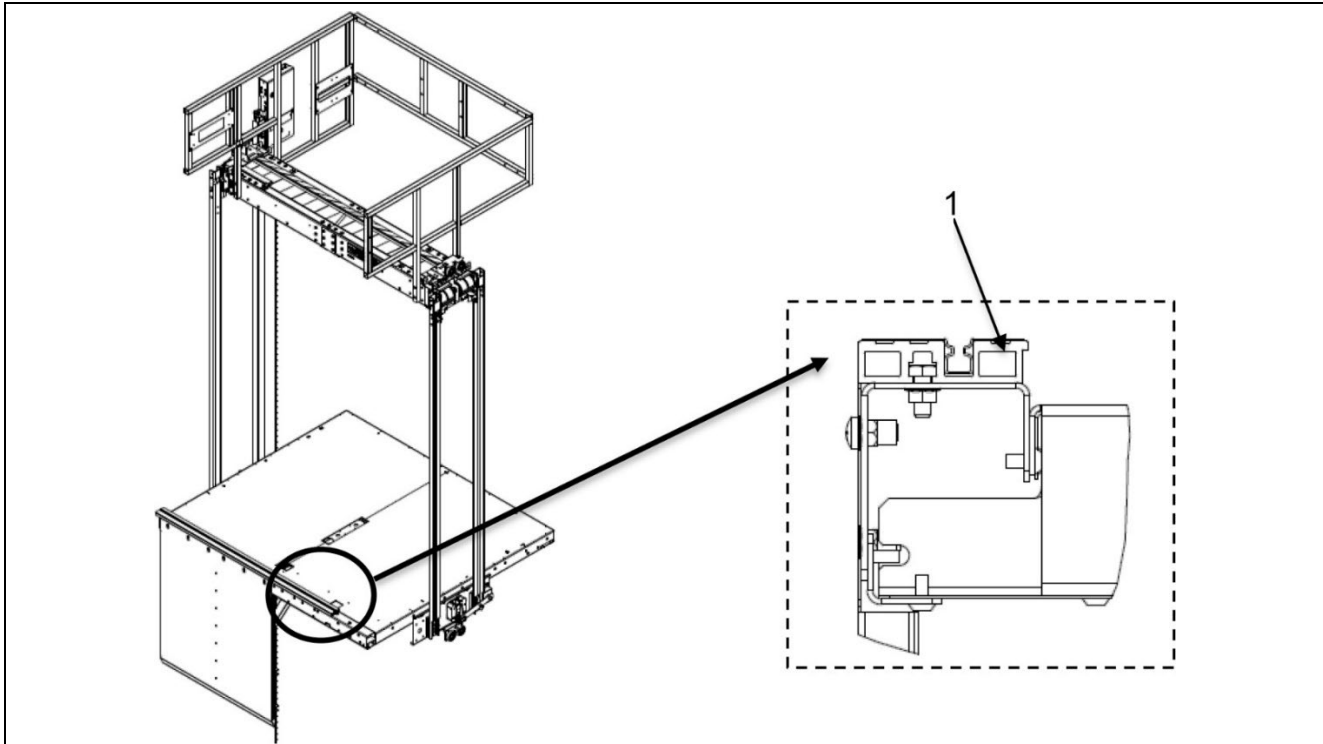
REF. No.	Page No.	DESCRIPTION
1	5-6	Thresholds
2	7	Sheave Assembly
3	8	Safeties
4	*	Governor, Manual and Remote Reset. See SPL 15-TCB20641J.
*	9-10	Safety Linkages (not shown)
5	11	Roller Guides. See SPL 14-AAA24180AW.
6	12	Top-of-Car Handrail. See SPL 17-WAA25580C.
7	13	Crosshead Electrical Components
8	14	Top-of-Car Emergency Exit
9	15	Ceiling Electrical Components, Single-Speed Fan, Air Ionizer
*	16-17	Handrails, In-car
*	18	Light
*	19	Miscellaneous Spare Parts

* Not shown

Threshold,

14-WAA29507A

Single-Speed & Center-Opening

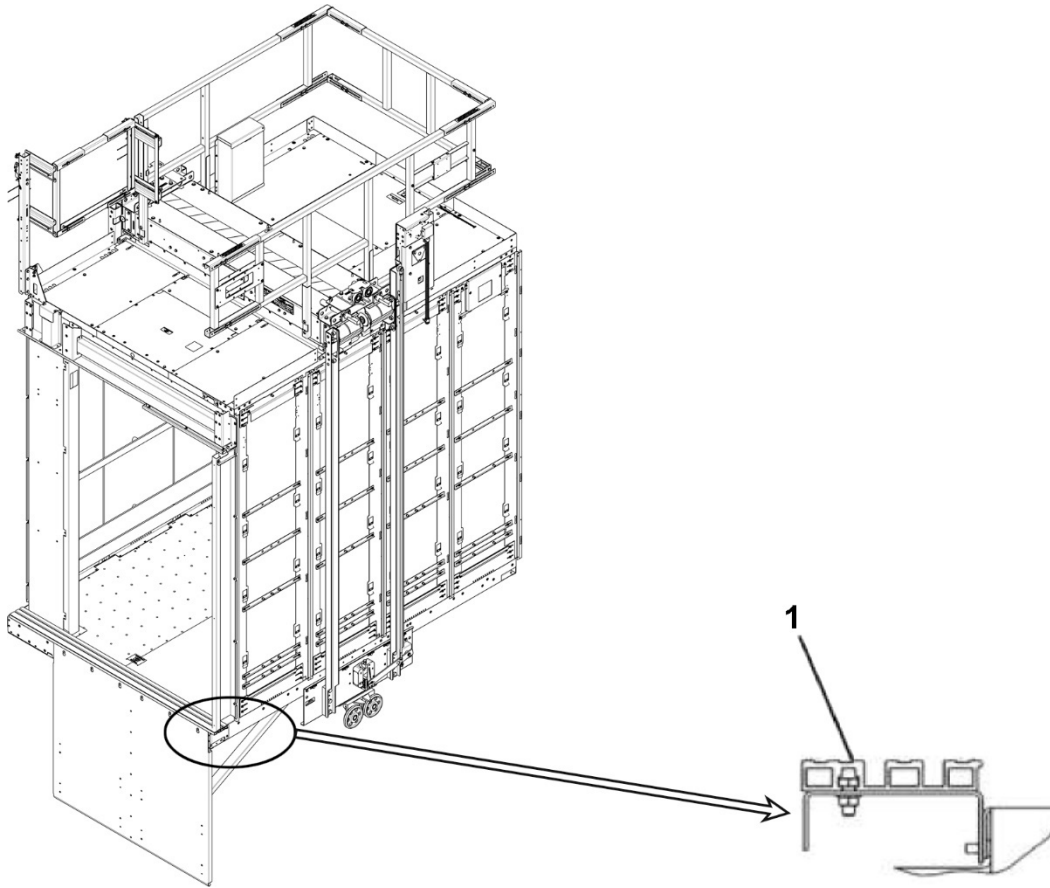


WAA29507A

REF. No.	PART No.	OPEN WIDTH	LENGTH	OPENING TYPE	MATERIAL	DESCRIPTION
1	AAA280BJ1	42 in. (1066,8 mm)	1710.5 mm (67.34 in.)	Center-Opening	Aluminum	Threshold
	AAA280BJ5	36 in. (914,4 mm)	1511 mm (59.5 in.)	Single-Slide		
	AAA280BJ8	42 in. (1066,8 mm)	1740.5 mm (68.52 in.)	Single-Slide		
	AAA280BJ18	42 in. (1066,8 mm)	1938.5mm (76.32 in.)	CO or SS		
	AAA280BN1	42 in. (1066,8 mm)	1710.5 mm (67.34 in.)	Center-Opening	Bronze	Threshold
	AAA280BN5	36 in. (914,4 mm)	1511 mm (59.5 in.)	Single-Slide		
	AAA280BN8	42 in. (1066,8 mm)	1740.5 mm (68.52 in.)	Single-Slide		
	AAA280BN18	42 in. (1066,8 mm)	1938.5mm (76.32 in.)	CO or SS		
	AAA280BM1	42 in. (1066,8 mm)	1710.5 mm (67.34 in.)	Center-Opening	Nickel Silver	Threshold
	AAA280BM5	36 in. (914,4 mm)	1511 mm (59.5 in.)	Single-Slide		
	AAA280BM8	42 in. (1066,8 mm)	1740.5 mm (68.52 in.)	Single-Slide		
	AAA280BM18	42 in. (1066,8 mm)	1938.5mm (76.32 in.)	CO or SS		

Threshold, Two-Speed

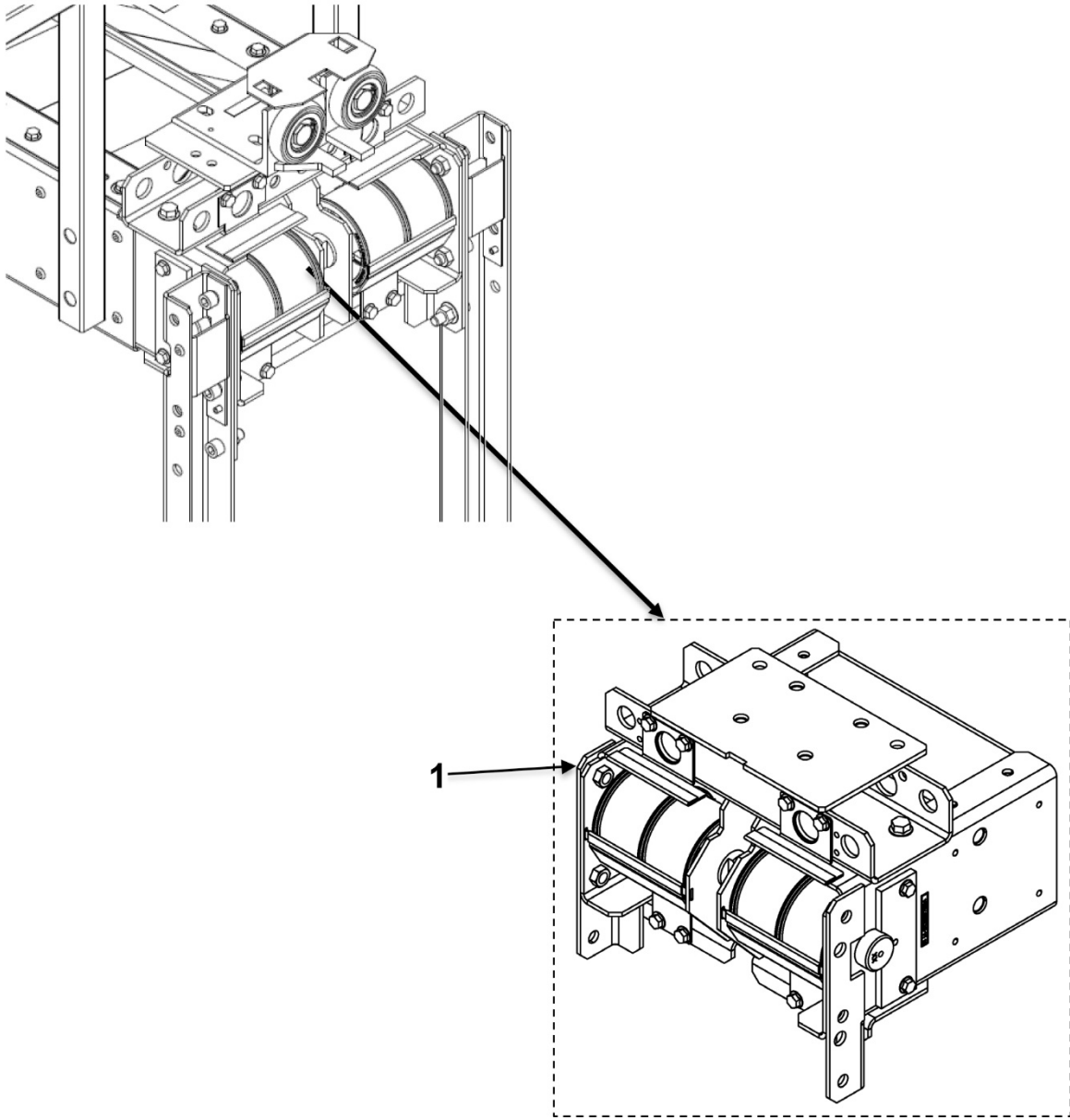
14-WAA29507A



WAA29507A					
REF. No.	PART No.	OPEN WIDTH	LENGTH	MATERIAL	DESCRIPTION
1	AAA280BJ22	N/A	73 in. (1855 mm)	Aluminum	Shape, Threshold, No Holes/Slots
	AAA280BN22			Bronze	
	AAA280BM22			Nickel Silver	
	AAA280BJ11	48 in. (1219 mm)	65.5 in. (1664 mm)	Aluminum	Threshold
	AAA280BJ14	54 in. (1372 mm)	73 in. (1855 mm)	Aluminum	
	AAA280BN11	48 in. (1219 mm)	65.5 in. (1664 mm)	Bronze	
	AAA280BN14	54 in. (1372 mm)	73 in. (1855 mm)	Bronze	
	AAA280BM11	48 in. (1219 mm)	65.5 in. (1664 mm)	Nickel Silver	
	AAA280BM14	54 in. (1372 mm)	73 in. (1855 mm)	Nickel Silver	

Sheave Assembly

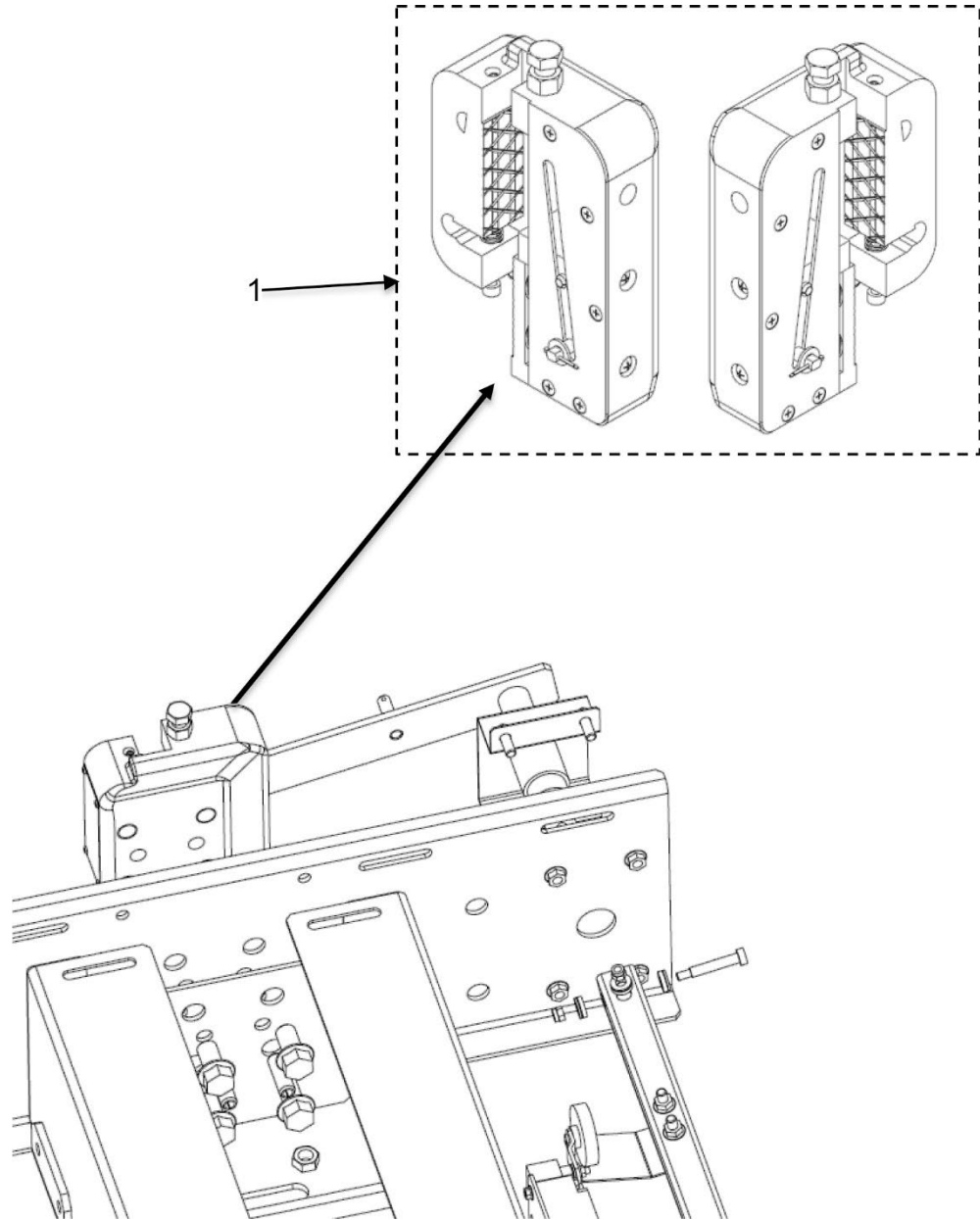
14-WAA29507A



REF. No.	PART No.	DESCRIPTION
1	---	Assembly, Sheave, See SPL 14-WAA20780A for details

Safeties

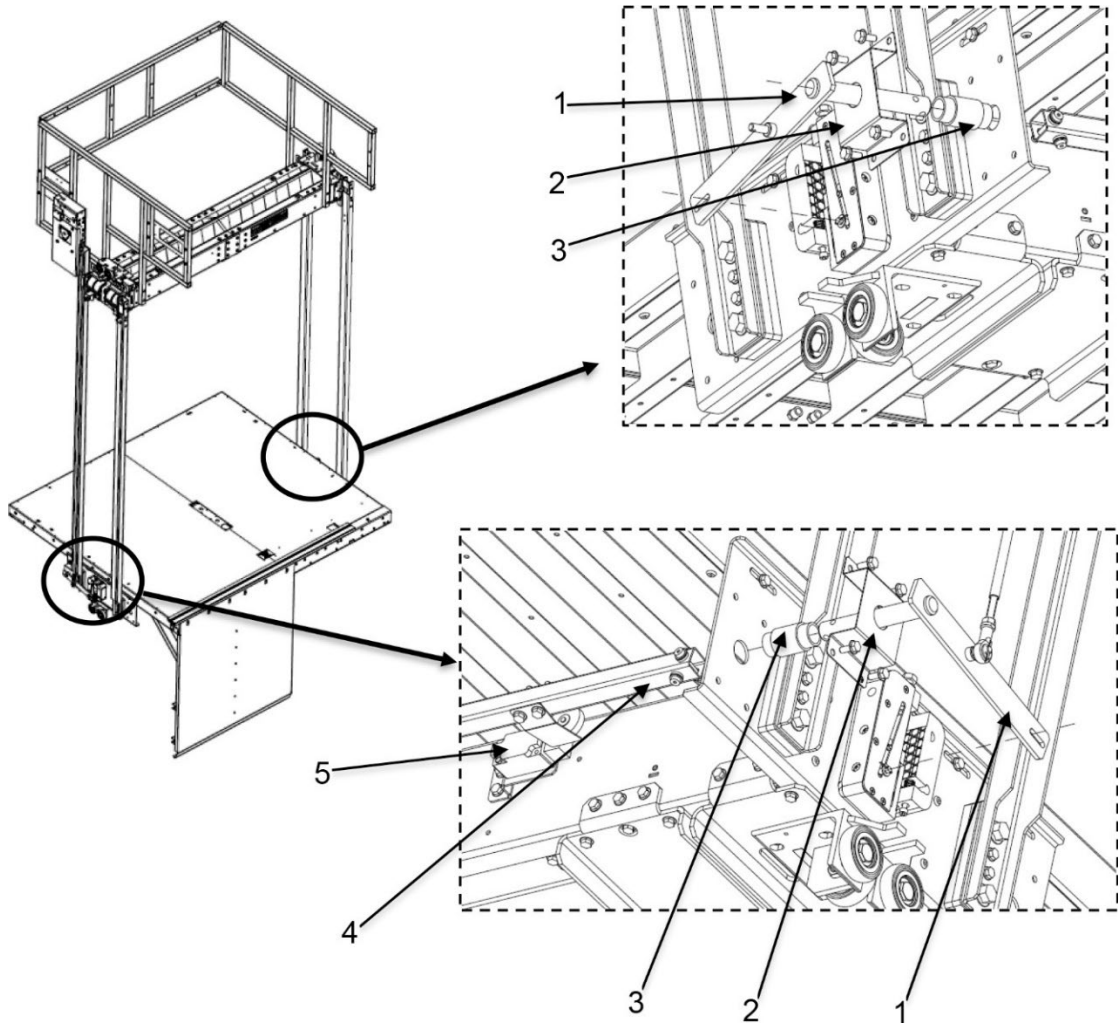
14-WAA29507A



WAA29507A		
REF. No.	PART No.	DESCRIPTION
1	---	Assembly, Safety Kit. See SPL 14-KAA24120AAJ for details

Safety Linkages

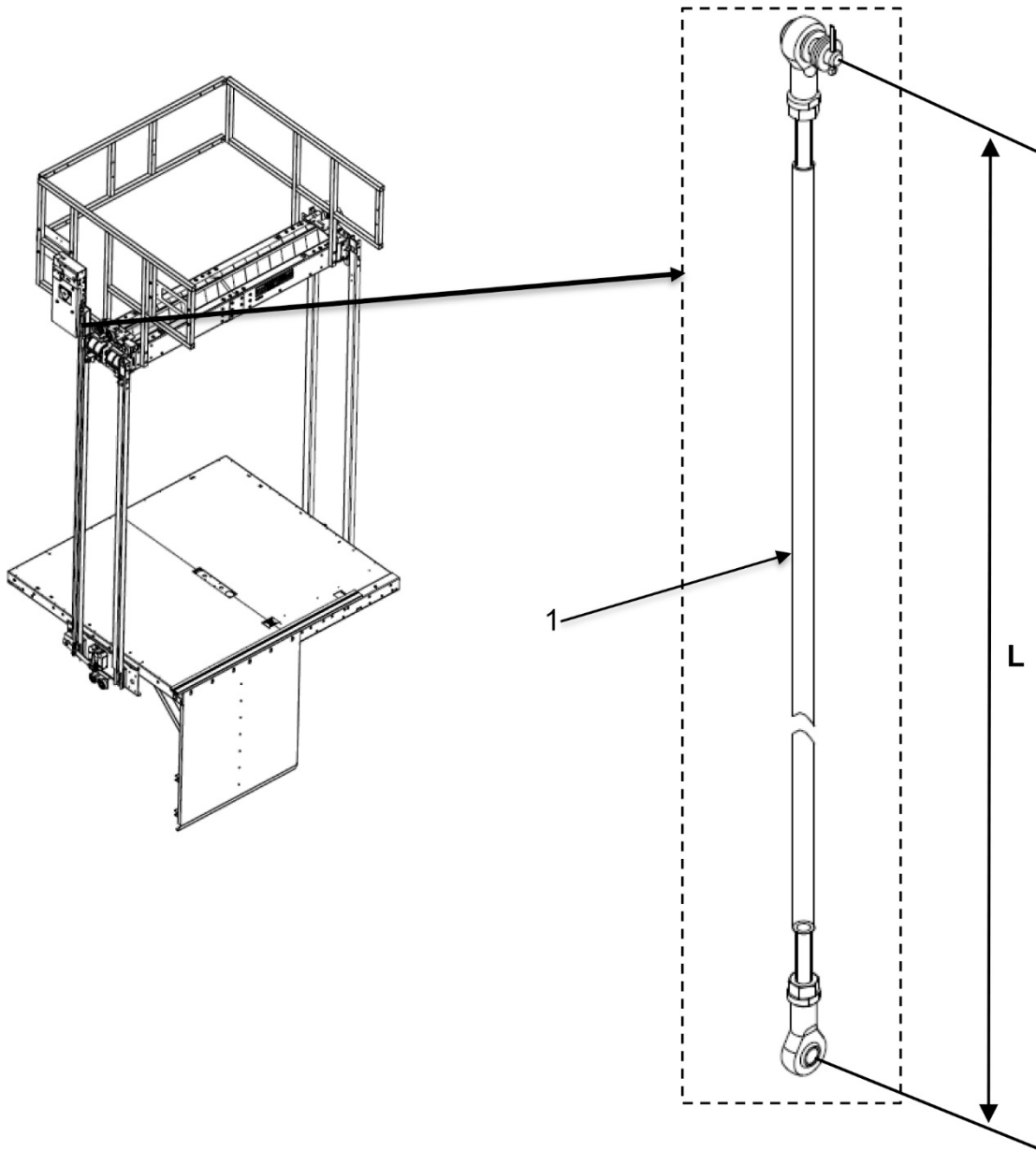
14-WAA29507A



REF. No.	WAA29507A	
	PART No.	DESCRIPTION
1	WAA288L1 WAA288AH1	Arm, Safety Lever, 2100–3500 lb. Duty
	WAA288AH2	Arm, Safety Lever, 4000–5000 lb. Duty
2	AAA315ADS2	Brace
3	AAA321MJ1	Bushing
4	WAA135AG1	Assembly, Safety Linkage Shaft, 2100 lb. Duty, Length = 1631.6 mm
	WAA135AG2	Assembly, Safety Linkage Shaft, 2500, 3000, 3500 lb. Duty, Length = 1866.6 mm
	WAA135AG3	Assembly, Safety Linkage Shaft, 3500W lb. Duty, Length = 1928.6 mm
	WAA135AG4	Assembly, Safety Linkage Shaft, 4000/4500H lb. Duty, Length = 1561.1 mm
	WAA135AG5	Assembly, Safety Linkage Shaft, 5000H lb. Duty, Length = 1707.1 mm
	WAA135AG6	Assembly, Safety Linkage Shaft, 5000A lb. Duty, Length = 1631.1 mm
5	AAA22800T3 AAA22800T10	Switch, SOS

Safety Linkages

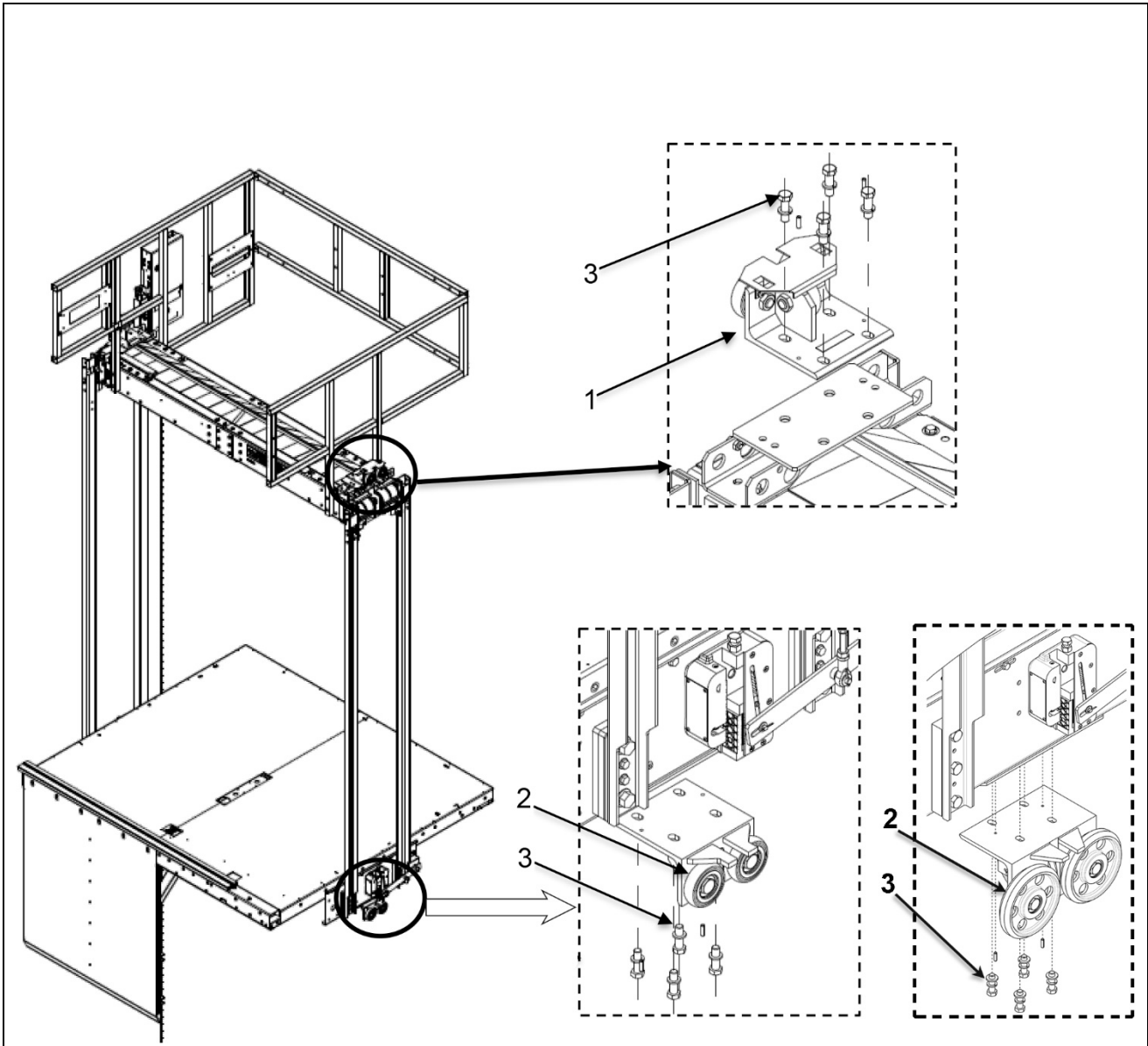
14-WAA29507A



WAA29507A			
REF. No.	PART No.	DESCRIPTION	LENGTH
1	WAA98C1	Assembly, Linkage Rod	3087
	WAA98C2	Assembly, Linkage Rod	3102
	WAA98C4	Assembly, Linkage Rod	3712

Roller Guides

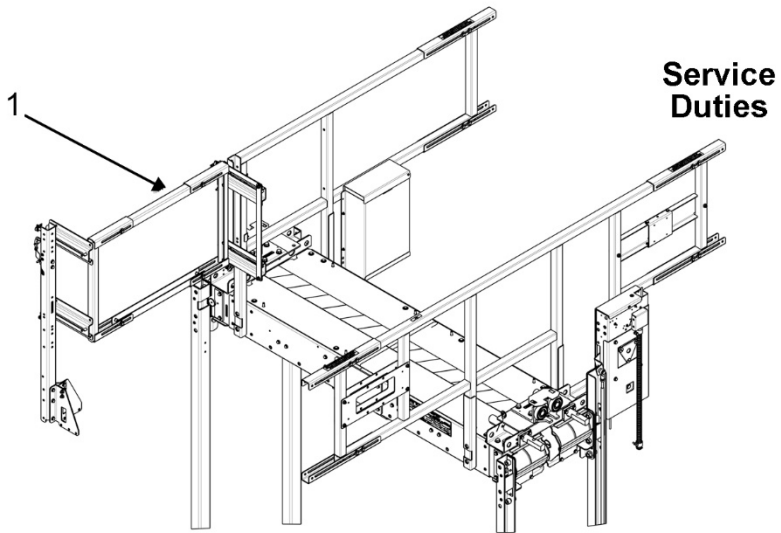
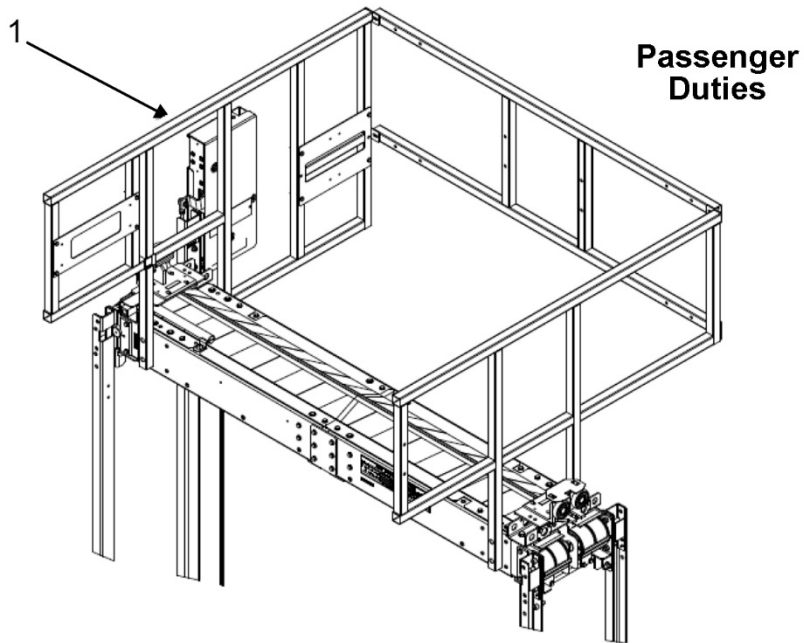
14-WAA29507A



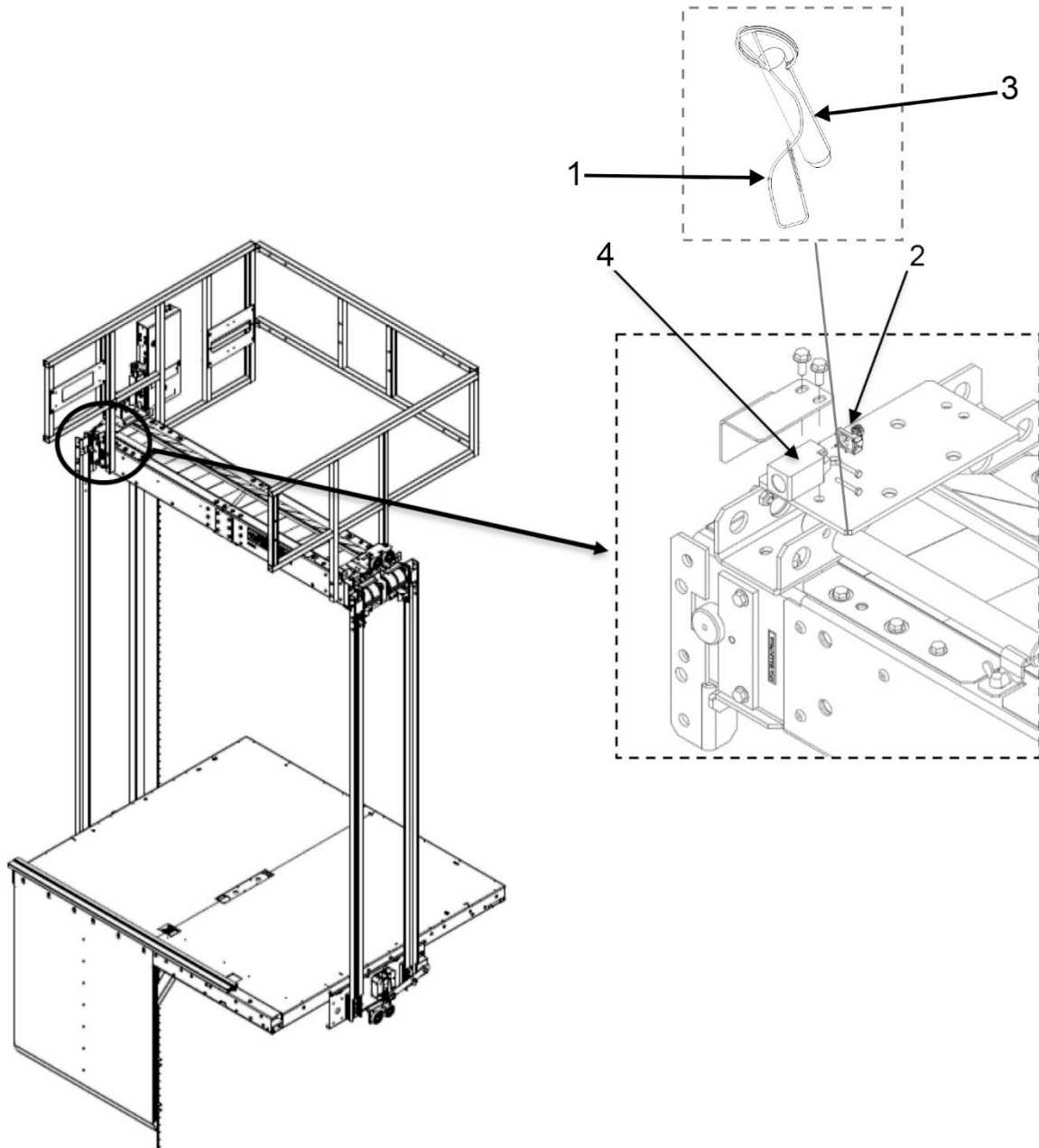
VINTAGE			
REF. No.	PART No.	DESCRIPTION	REFERENCE
1	AAA24180AW9	Roller Guide, Top	SPL 14-AAA24180AW
2	AAA24180AW10	Roller Guide, Lower, 2100-3500 Lb. Duty	SPL 14-AAA24180AW
	AAA24180AX8	Roller Guide, Lower, 4000-5000 Lb. Duty	SPL 14-AAA24180AX
3	AAA27076AZ402	Hardware, Roller Guide Mounting	---

Top-of-Car Handrail

14-WAA29507A



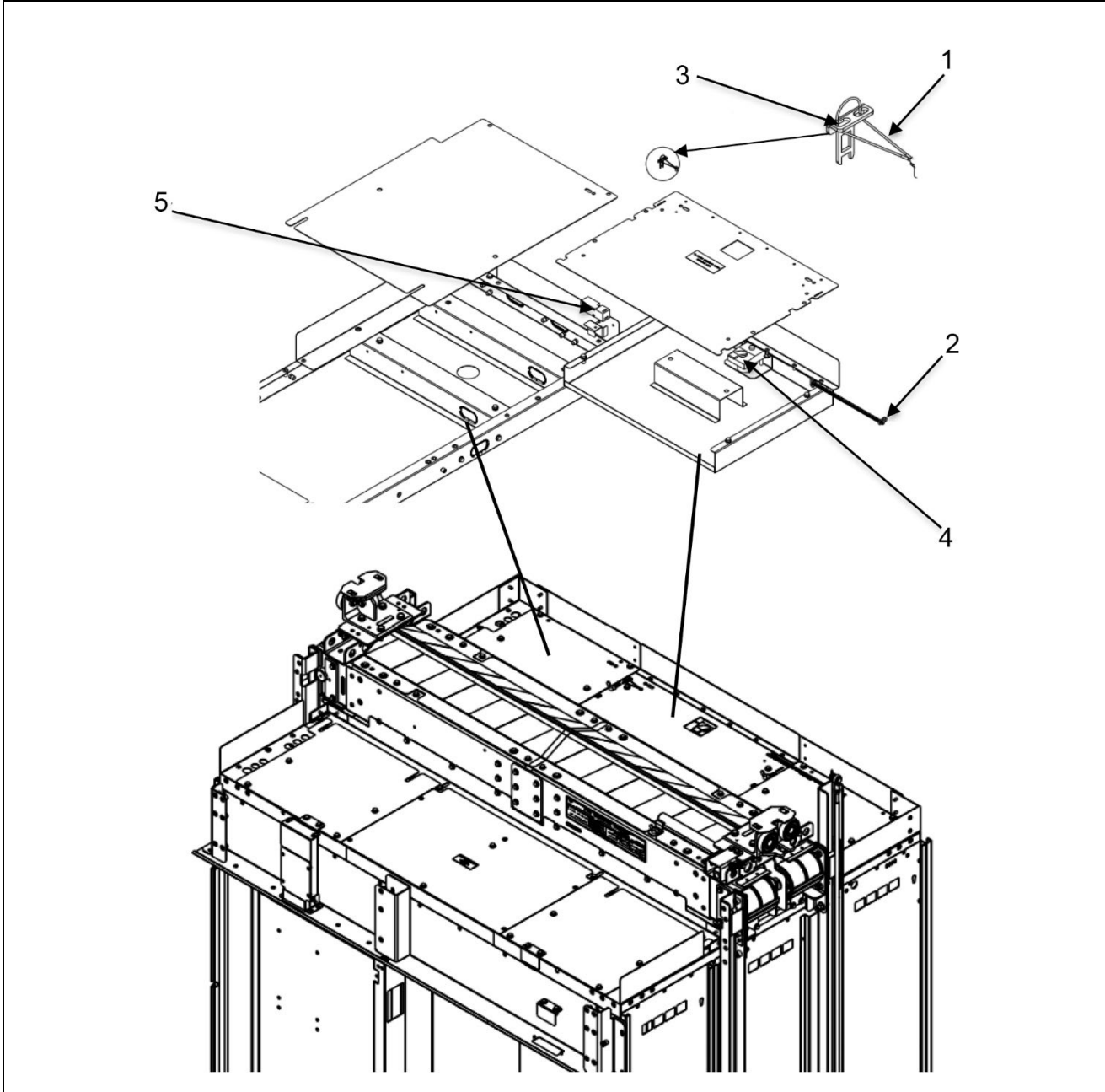
WAA29507A		
REF. No.	PART No.	DESCRIPTION
1	---	Handrail, Top-of-Car. See SPL 17-WAA25580C.



WAA29507A		
REF. No.	PART No.	DESCRIPTION
1	AAA712AK2	Lanyard, Block Device
2	AAA288AFJ1	Lever, Switch
3	AAA81QN3	Pin, Block Device
4	AAA22800T6	Switch, Block device

Top-of-Car Emergency Exit

14-WAA29507A

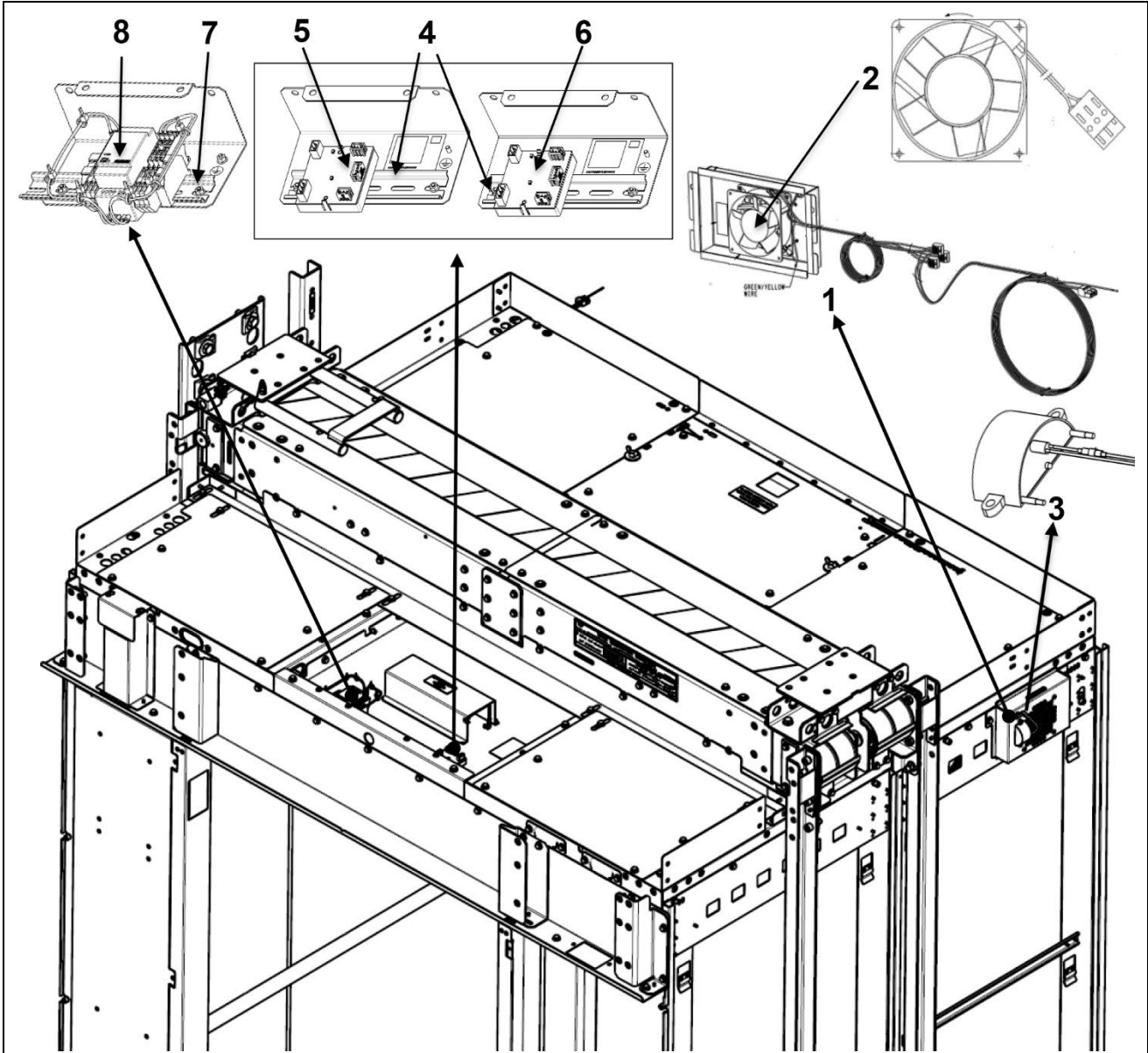


WAA29507A

REF. No.	PART No.	DESCRIPTION
1	AAA712AK1	Cable Rope, Lanyard for Key
2	AAA176HZ1	Connector
3	AAA22800T5	Key, Emergency Exit Switch
4	AAA431AM1	Lock, 5-Pin, with 2 Keys (#1245)
	AAA431AM2	Lock, 5-Pin, with 2 Keys (#3502). For Massachusetts only.
5	AAA22800T4	Switch, Emergency Exit

Ceiling Electrical Components

14-WAA29507A

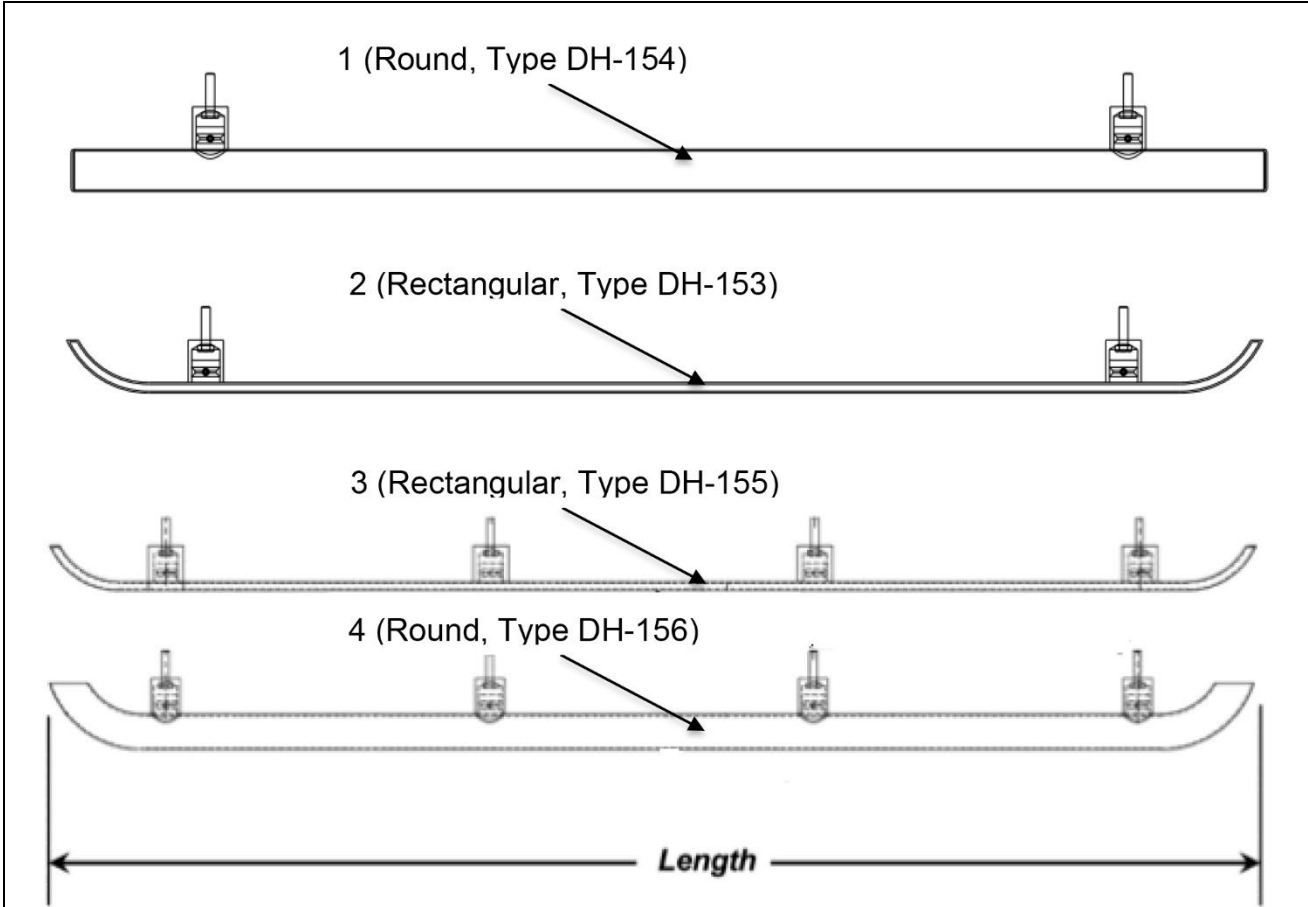


WAA29507A		
REF. No.	PART No.	DESCRIPTION
1	AAA24720AB6	Car Ventilation Fan Assembly
2	AAA24720T9	Fan, Single Speed (See NOTE)
3	AAA24720AE1	Plasma Air Ionizer
4	401B42	Rail, Light Ray Device.
5	AAA24591AQ1	Opti guard Device, PCB interface, 2D
6	AAA24591AQ2	Opti Shield Device, PCB interface, 3D
7	401B85	Rail, Power Supply
	AAA621AT35	Supply, Power

NOTE: AAA24720T9 is riveted to AAA24720AB.

In-Car Handrail, Rear

14-WAA29507A



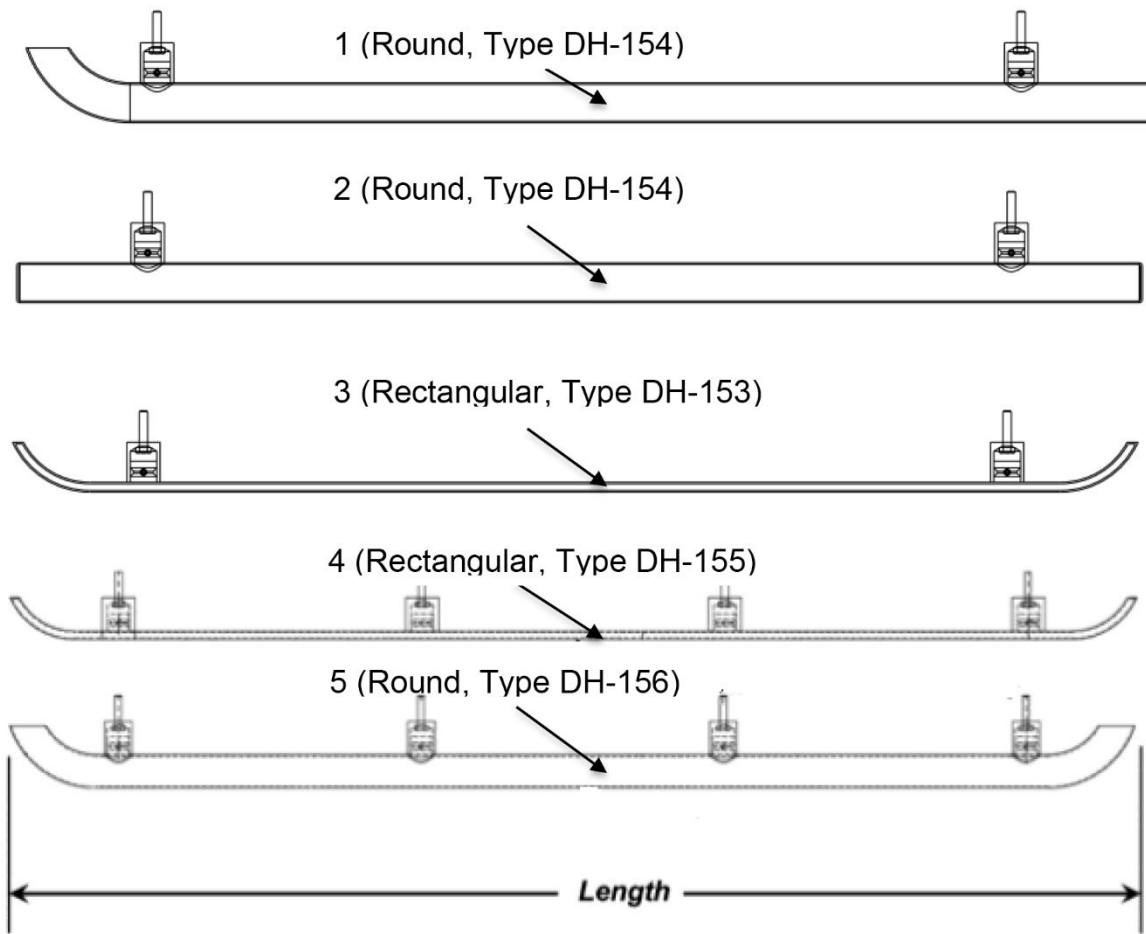
WAA29507A					
REF. No.	PART No.	DUTIES (lb.)	LENGTH	HANDRAIL SHAPE	FINISH
1	WAA139A3	2100, 2500, 3000,3500	56.3 in. (1430 mm)	Round, DH-154, 1.5in. (38.1mm) Diameter	FS4 (Brushed Stainless Steel)
2	WAA139B2	2100, 2500, 3000,3500	56.3 in. (1430 mm)	Rectangular, DH-153, 2 x 0.375 in. (50.8 x 9.5 mm)	FS4 (Brushed Stainless Steel)
3	AAA139DE3-FINISH	2100,2500	42.28 in. (1074 mm)	Rectangular, DH-155, 2 x 0.375 in. (50.8 x 9.5 mm)	SS8 (Mirrored Stainless Steel) FS4 (Brushed Stainless Steel) BR7 (Brushed Bronze) BR8 (Mirrored Bronze) DBR (Dark Oxidized Bronze) LBR (Light Oxidized Bronze)
	AAA139DE4-FINISH	3000	50.9 in. (1293 mm)		
	AAA139DE5-FINISH	3500	56.3 in. (1430 mm)		
4	AAA139DF3-FINISH	2100,2500	42.28 in. (1074 mm)	Round, DH-156, 1.5 in. (38.1 mm) Diameter	SS8 (Mirrored Stainless Steel) FS4 (Brushed Stainless Steel) BR7 (Brushed Bronze) BR8 (Mirrored Bronze) DBR (Dark Oxidized Bronze) LBR (Light Oxidized Bronze)
	AAA139DF4-FINISH	3000	50.9 in. (1293 mm)		
	AAA139DF5-FINISH	3500	56.3 in. (1430 mm)		

Note: Specify surface finish.

Example: AAA139DE3-SS8 FOR mirrored stainless-steel finish.

In-Car Handrail, Side

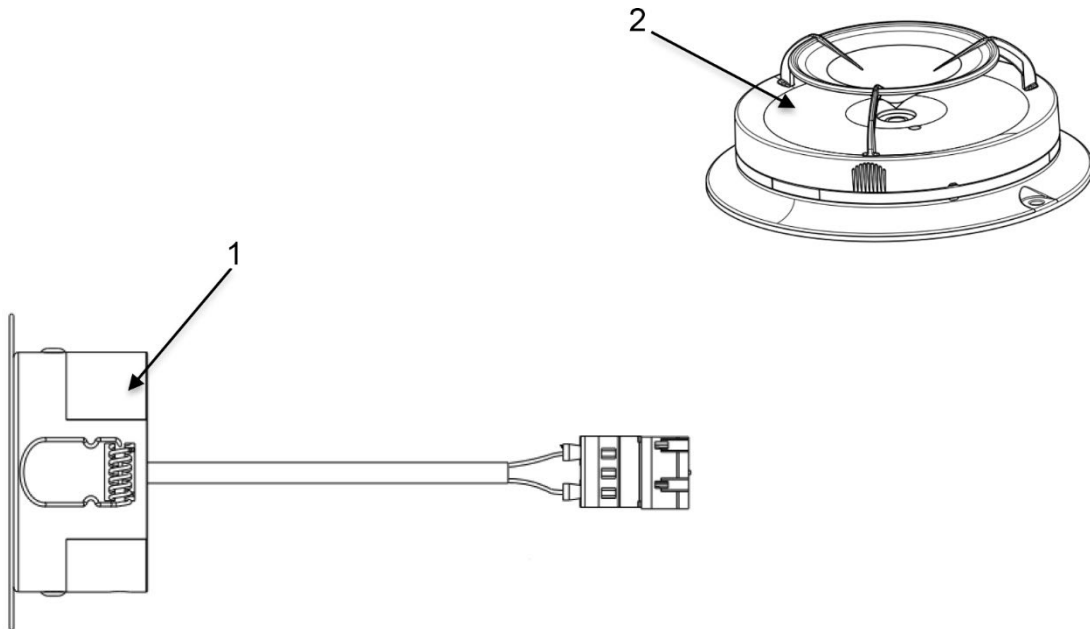
14-WAA29507A



WAA29507A							
REF. No.	PART No.	DUTIES (lb.)	LENGTH	HANDRAIL SHAPE	FINISH		
1	WAA139A2	2100, 2500, 3000	42.28 in. (1074 mm)	Round, DH-154, 1.5 in. (38.1 mm) Diameter	FS4(Brushed Stainless Steel)		
	WAA139A4	3500	56.3 in. (1430 mm)				
2	WAA139A1	3000	42.28 in. (1074 mm)				
	WAA139A3	3500	56.3 in. (1430 mm)				
3	WAA139B1	2100, 2500, 3000	42.28 in. (1074 mm)			Rectangular, DH-153, 2 x 0.375 in. (50.8 x 9.5 mm)	FS4(Brushed Stainless Steel)
	WAA139B2	3500	56.3 in. (1430 mm)				
4	AAA139DE1-FINISH	2100	59.65 in. (1515 mm)	Rectangular, DH-155, 2 x 0.375 in. (50.8 x 9.5 mm)	SS8 (Mirrored Stainless Steel)		
	AAA139DE2-FINISH	2500, 3000, 3500	68.9 in. (1750 mm)		FS4 (Brushed Stainless Steel)		
5	AAA139DF1-FINISH	2100	59.65 in. (1515 mm)	Round, DH-156, 1.5 in. (38.1 mm) Diameter	BR7 (Brushed Bronze)		
	AAA139DF2-FINISH	2500, 3000, 3500	68.9 in. (1750 mm)		BR8 (Mirrored Bronze) DBR (Dark Oxidized Bronze) LBR (Light Oxidized Bronze)		

Light

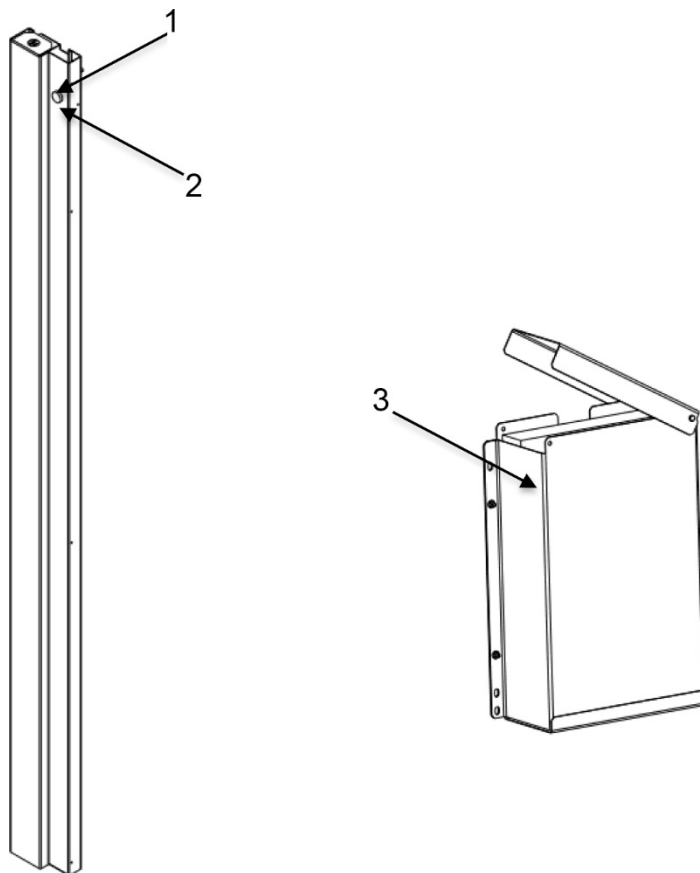
14-WAA29507A



WAA29507A		
REF. No.	PART No.	DESCRIPTION
1	AAA417DG6	Bulb, LED, Brushed Nickel Finish, 2W
	AAA417DG7	Bulb, LED, White Finish, 2W
	AAA417DG8	Bulb, LED, Black Finish, 2W
2	AAA417DN6	Fixture, UVC Light, Inside Cab Mounting Height ≥ 2337 & < 2439

Miscellaneous Spare Parts

14-WAA29507A



WAA29507A		
REF. No.	PART No.	DESCRIPTION
1	320CV2	Bumper, Strike
2	ISO1234-2x40Z	Pin, Cotter, 2 mm Dia, 40 mm Long
3	WAA308R1	Box, for Wiring Diagram (located on top-of-car handrail)