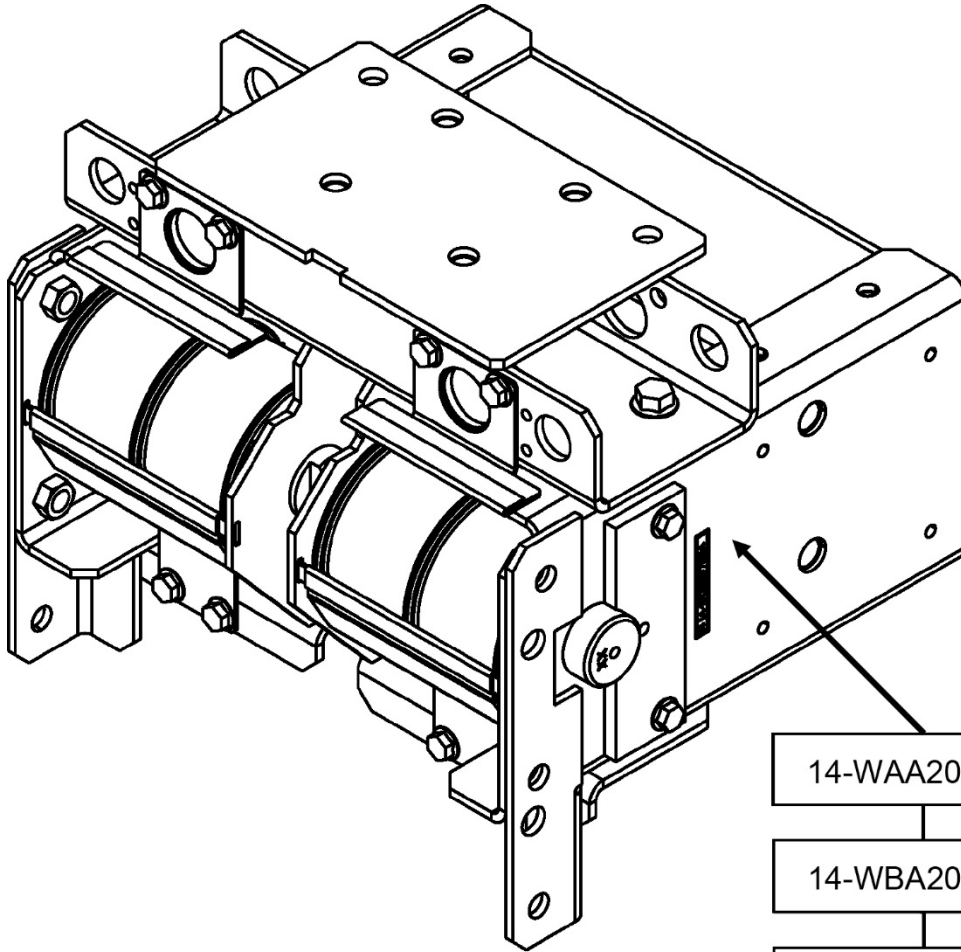


# Integrated Sheave Assembly

## Spare Parts Leaflet 14-WAA20780A

December 3, 2025/ Page 1 of 3



14-WAA20780A

14-WBA20780A

14-WCA20780A

14-WCB20780A



This document does not contain any  
technical data subject to EAR or ITAR

**SERVICE ENGINEERING**  
**Otis Elevator Company**  
**Bloomfield, Connecticut USA**

Unpublished Work—© Otis Elevator Co.; 2025

# History

**14-WAA20780A**

## Leaflet Description

This spare parts leaflet covers spare parts the integrated sheave assembly used on the Gen3 Core Passenger Duty Carframe / Crosshead assembly.

## Leaflet Revisions

Date Revised	Subject Matter Expert	Reason for Revision
March 20, 2024	Juan Murillo & Richard Blakelock	New SPL
December 3, 2025	Juan Murillo	Added service duty sheave.

## Related Drawings

Drawing No.	Title	Drawing No.	Title
WAA29507A	Carframe Hardware Kits		
WAA24011G	Crosshead Assembly		

## Related Documents

Document ID	Title
SPL 14-WAA29507A	Gen3 Core Carframe SPL

## Subject Matter Expert

Name	Department
Richard Blakelock & Juan Murillo	Engineer SEE-Florence & OSC Service Engineering

## About Spare Parts Leaflets...

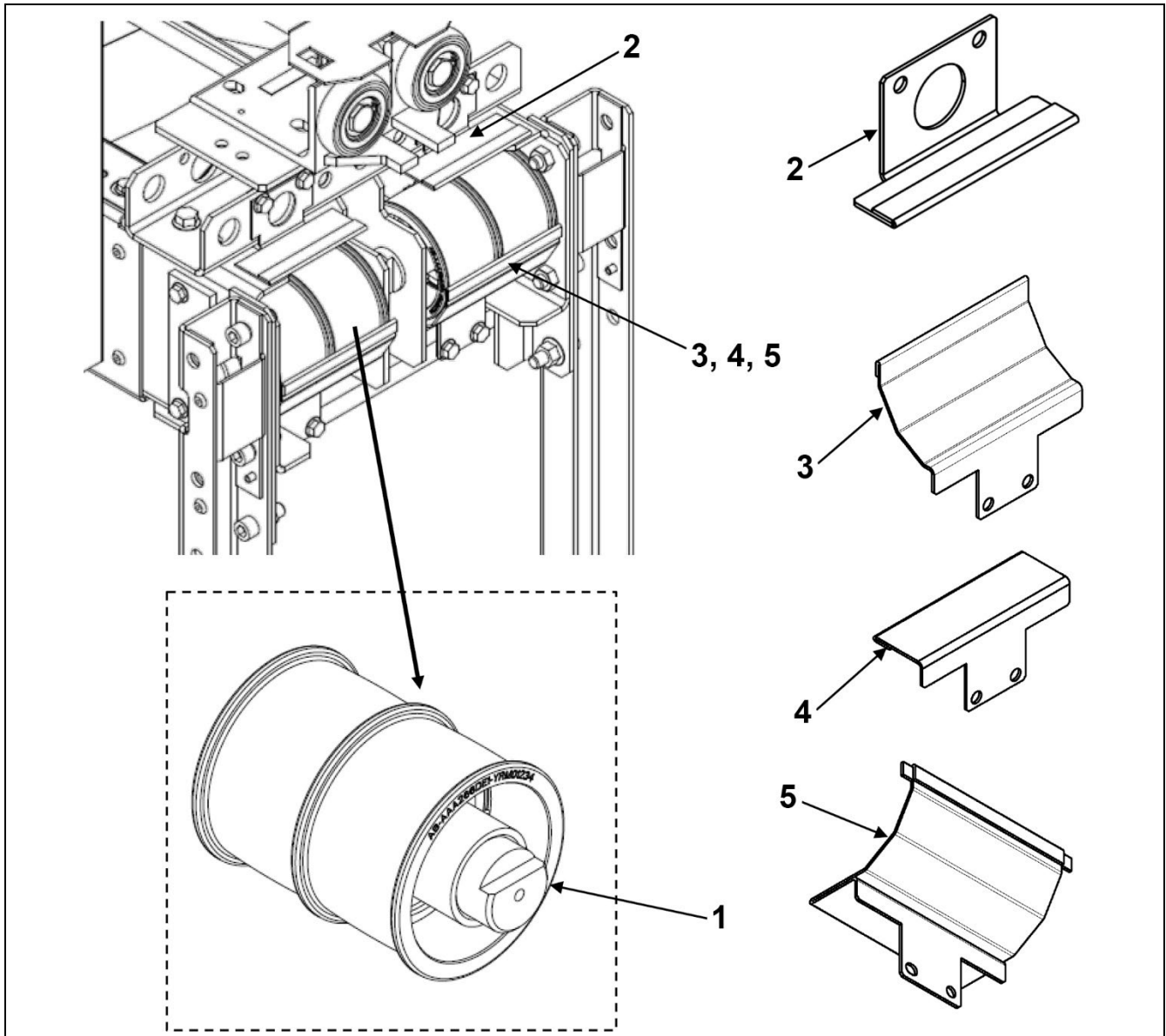
This document lists the lowest replaceable units (LRUs) for the standard version of the product. The LRUs are chosen by a team of Otis associates representing engineering and manufacturing.

While goal of this document is to make parts identification as easy as possible, the document cannot be all-inclusive. Elevator and escalator contracts classified as "special" or "custom" are not addressed here. For such contracts, please refer to specified information, the contract folder, TIPs, Field Education Articles, Construction Letters, etc. for further information.

If you have any suggestions about this document, please contact the subject matter expert listed on this page.

# Sheave Assembly, Passenger Duty

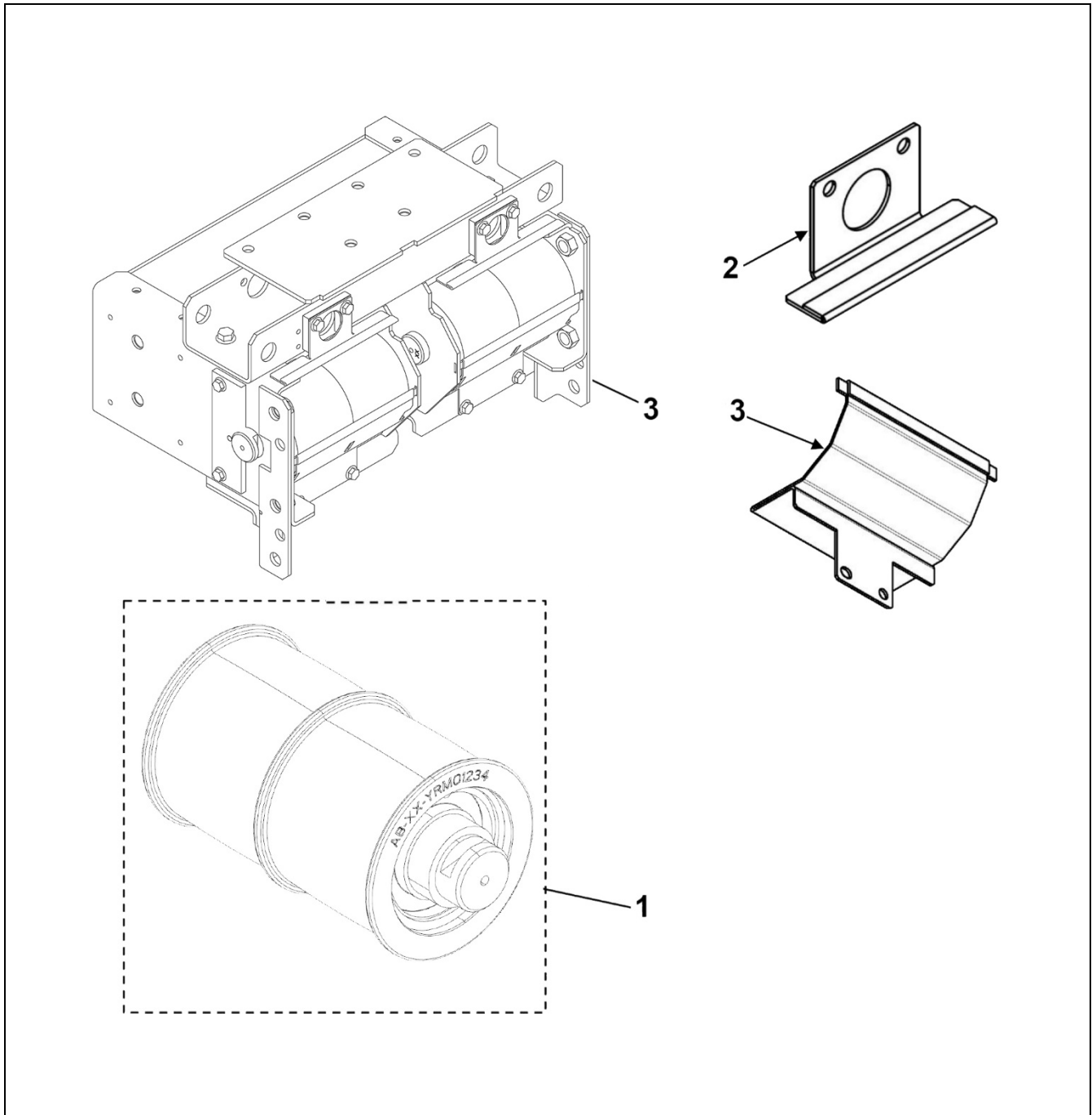
**14-WAA20780A**



	<b>WAA20780A</b>	<b>WBA20780A WCA20780A</b>	<b>WCB20780A</b>	
<b>REF. No.</b>	<b>PART No.</b>			<b>DESCRIPTION</b>
1	AAA20780AP1			Sheave, Assembly, 2 Grooves, 43 kN
2	WAA384AS2			Guard, Top
3	WAA384G1	---		Guard, Bottom, Front
4	WAA384AG1	---		Guard, Bottom, Rear
5	---	---	WAA384BK1	Guard, Bottom, Combined

# Sheave Assembly, Service Duty

**14-WAA20780A**



<b>WCB20780A</b>		
<b>REF. No.</b>	<b>PART No.</b>	<b>DESCRIPTION</b>
1	AAA20780D3	Sheave, Assembly, 2 Grooves, 86 kN
2	WAA384BM1	Guard, Top
3	WAA384BK2	Guard, Bottom, Combined