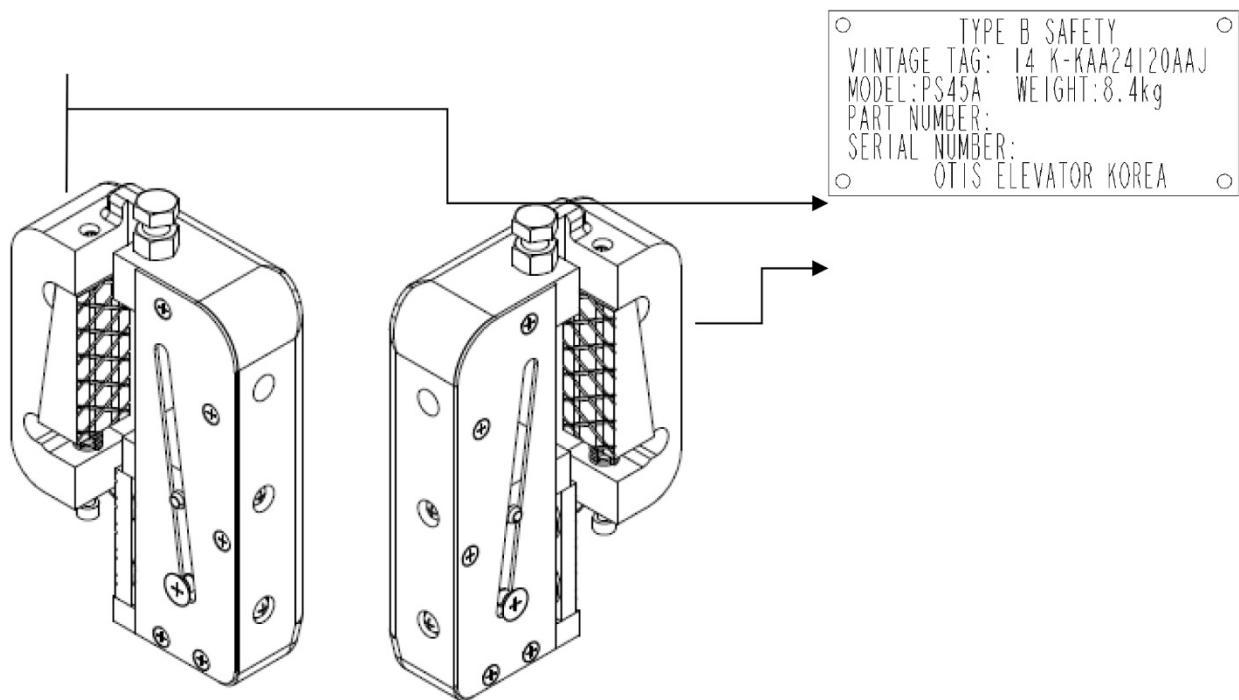


**PS45A Progressive
Safety – ASME A17.1
Applications**

**Spare Parts Leaflet
14-KAA24120AAJ**

January 7, 2026 / Page 1 of 4



OTIS

This document does not contain any technical data subject to EAR or ITAR

**SERVICE ENGINEERING
Otis Elevator Company
Bloomfield, Connecticut USA**

Unpublished Work—© Otis Elevator Co.; 2026

History

14-KAA24120AAJ

Leaflet Description

This leaflet presents the spare parts for the KAA24120AAJ (PS45A) progressive safety used in ASME A17.1 applications.

Leaflet Revisions

Date Revised	Subject Matter Expert	Reason for Revision
January 13, 2025	J. Draper	New SPL
January 7, 2026	Emma Gu	Added AAA719Z

Related Drawings

Drawing No.	Title	Drawing No.	Title
KAA24120AAJ	Safety Assy PS45A	AAA719Z	Gauge, Alignment

Related Documents

Document ID	Title

Subject Matter Expert

Name	Department
Juan Murillo	Mechanical Engineering, Service Engineering

About Spare Parts Leaflets...

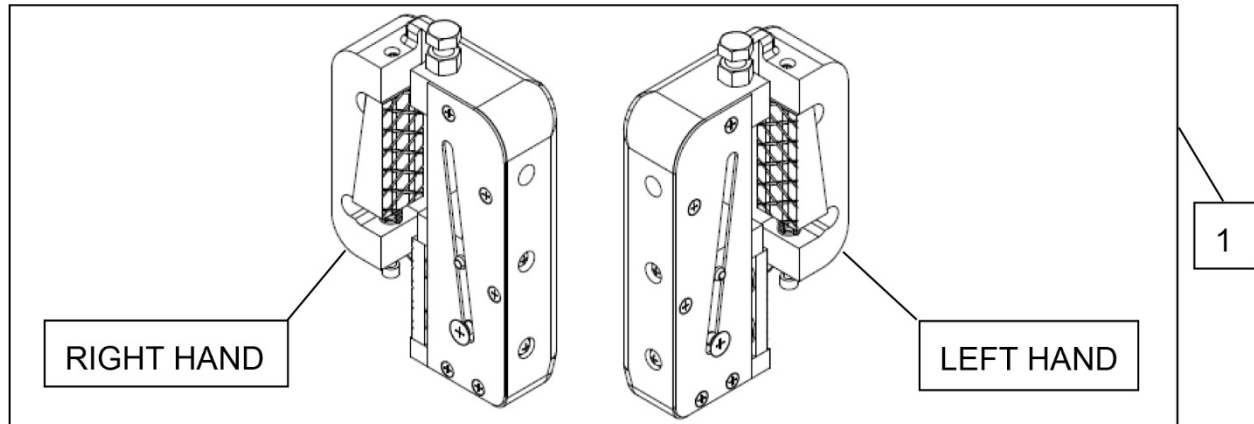
This document lists the lowest replaceable units (LRUs) for the standard version of the product. The LRUs are chosen by a team of Otis associates representing engineering and manufacturing.

While goal of this document is to make parts identification as easy as possible, the document cannot be all-inclusive. Elevator and escalator contracts classified as “special” or “custom” are not addressed here. For such contracts, please refer to specified information, the contract folder, TIPs, Field Education Articles, Construction Letters, etc. for further information.

If you have any suggestions about this document, please contact the subject matter expert listed on this page.

Safety Assembly Kit

14-KAA24120AAJ



- The lowest replaceable unit (LRU) is the entire safety assembly
- Safety assemblies must be replaced in sets: (1) Right Hand + (1) Left Hand.

KAA24120AAJ				
REF. No.	PART No.		Safety Assembly- Right Hand/Left Hand	DESCRIPTION
1	KAA24120AAJ400	←	KAA24120AAJ1/AAJ2	Kit, Safety Assembly: 1 Right Hand + 1 Left Hand Safety Assembly
	KAA24120AAJ401	←	KAA24120AAJ3/AAJ4	
	KAA24120AAJ402	←	KAA24120AAJ5/AAJ6	
	KAA24120AAJ403	←	KAA24120AAJ7/AAJ8	
	KAA24120AAJ404	←	KAA24120AAJ9/AAJ10	
	KAA24120AAJ405	←	KAA24120AAJ11/AAJ12	
	KAA24120AAJ406	←	KAA24120AAJ13/AAJ14	
	KAA24120AAJ407	←	KAA24120AAJ15/AAJ16	
	KAA24120AAJ408	←	KAA24120AAJ17/AAJ18	
	KAA24120AAJ500	←	KAA24120AAJ51/AAJ52	
	KAA24120AAJ501	←	KAA24120AAJ53/AAJ54	
	KAA24120AAJ502	←	KAA24120AAJ55/AAJ56	
	KAA24120AAJ503	←	KAA24120AAJ57/AAJ58	
	KAA24120AAJ504	←	KAA24120AAJ59/AAJ60	
	KAA24120AAJ505	←	KAA24120AAJ61/AAJ62	
	KAA24120AAJ506	←	KAA24120AAJ63/AAJ64	
	KAA24120AAJ507	←	KAA24120AAJ65/AAJ66	
	KAA24120AAJ508	←	KAA24120AAJ67/AAJ68	

Alignment Gauge

14-KAA24120AAJ



REF. No.	PART No.	DESCRIPTION
1	AAA719Z1	Gauge, Alignment, Orange, Length = 410 mm, Thickness = 1.8 mm for G3P, KAA24120AAJ1-18
	AAA719Z3	Gauge, Alignment, Yellow, Length = 250 mm, Front to Back Thickness = 2.8 mm for G3C/G3X, KAA24120AAJ51-68