

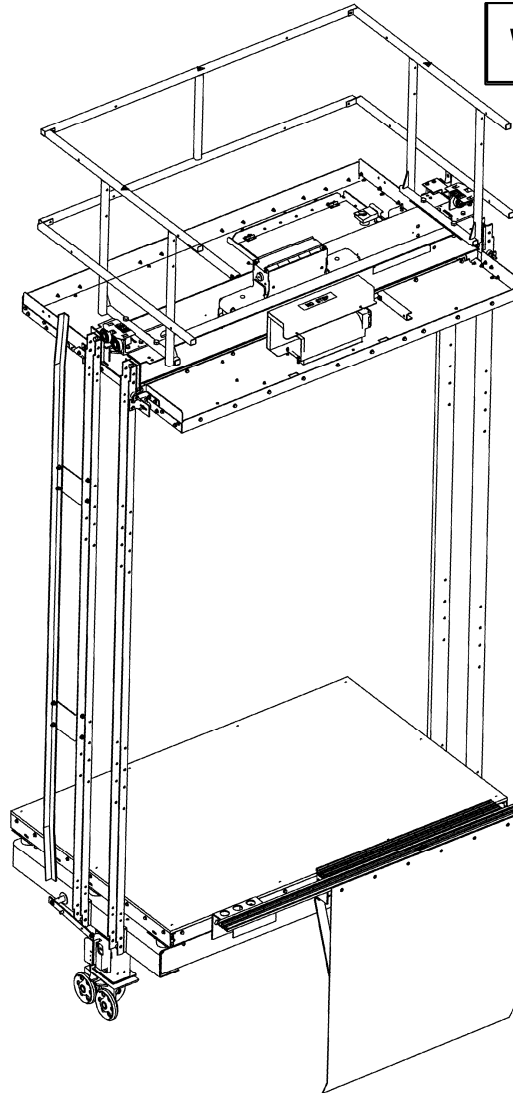
Gen2[®]

953 kg and 1134 kg Duties
Carframe, Platform, Ceiling,
and Balustrade

Spare Parts Leaflet

14-FAA24011Z

June 26, 2019 / Page 1 of 9



W/O VINTAGE

OTIS

This document does not contain any
technical data subject to EAR or ITAR

SERVICE ENGINEERING
Otis Elevator Company
Bloomfield, Connecticut USA

Unpublished Work—© Otis Elevator Co.; 2019

Leaflet Description

This leaflet provides spare part information for FAA24011Z carframe, platform, ceiling, and balustrade. This component is used in the 953 kg (2100 lb.) and 1134 kg (2500 lb.) duty Gen2™ elevators for A17.1–2000 applications.

Leaflet Revisions

Date Revised	Subject Matter Expert	Reason for Revision
July 16, 2003	J. Draper	New SPL
June 1, 2011	Val Sheynkman	p/n AAA20780A2 was superseded by AAA20780P6 in ref. 1 on p. 6
June 26, 2019	Juan Murillo	Replaced p/n AAA24720V1 with AAA24720S1 on p. 7

Related Drawings

Drawing No.	Title	Drawing No.	Title
FAA24011Z	Carframe + Platform + Ceiling + Balustrade	AAA22439U	Position Transducer Arrangement: Gen2 LD
---	---	---	---

Related Documents

Document ID	Title
---	---
---	---

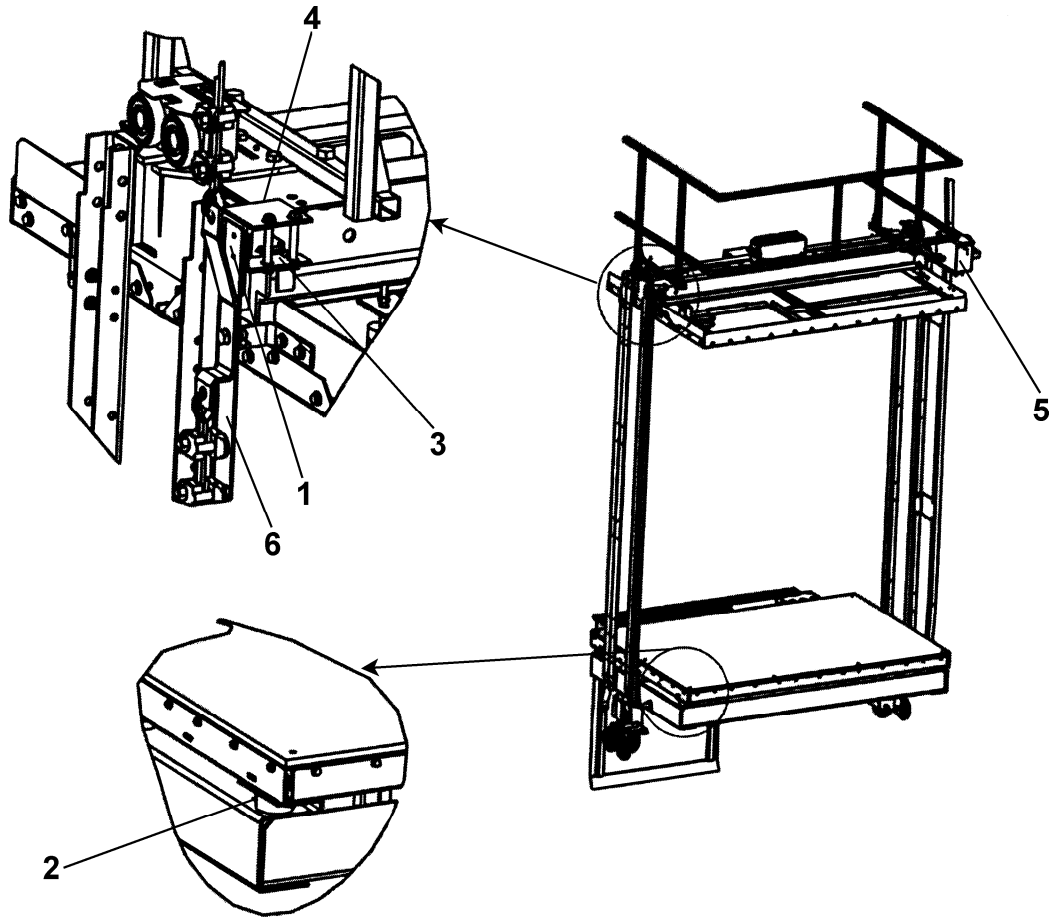
Subject Matter Expert

Name	Department
Juan Murillo	OSC Mechanical Engineering

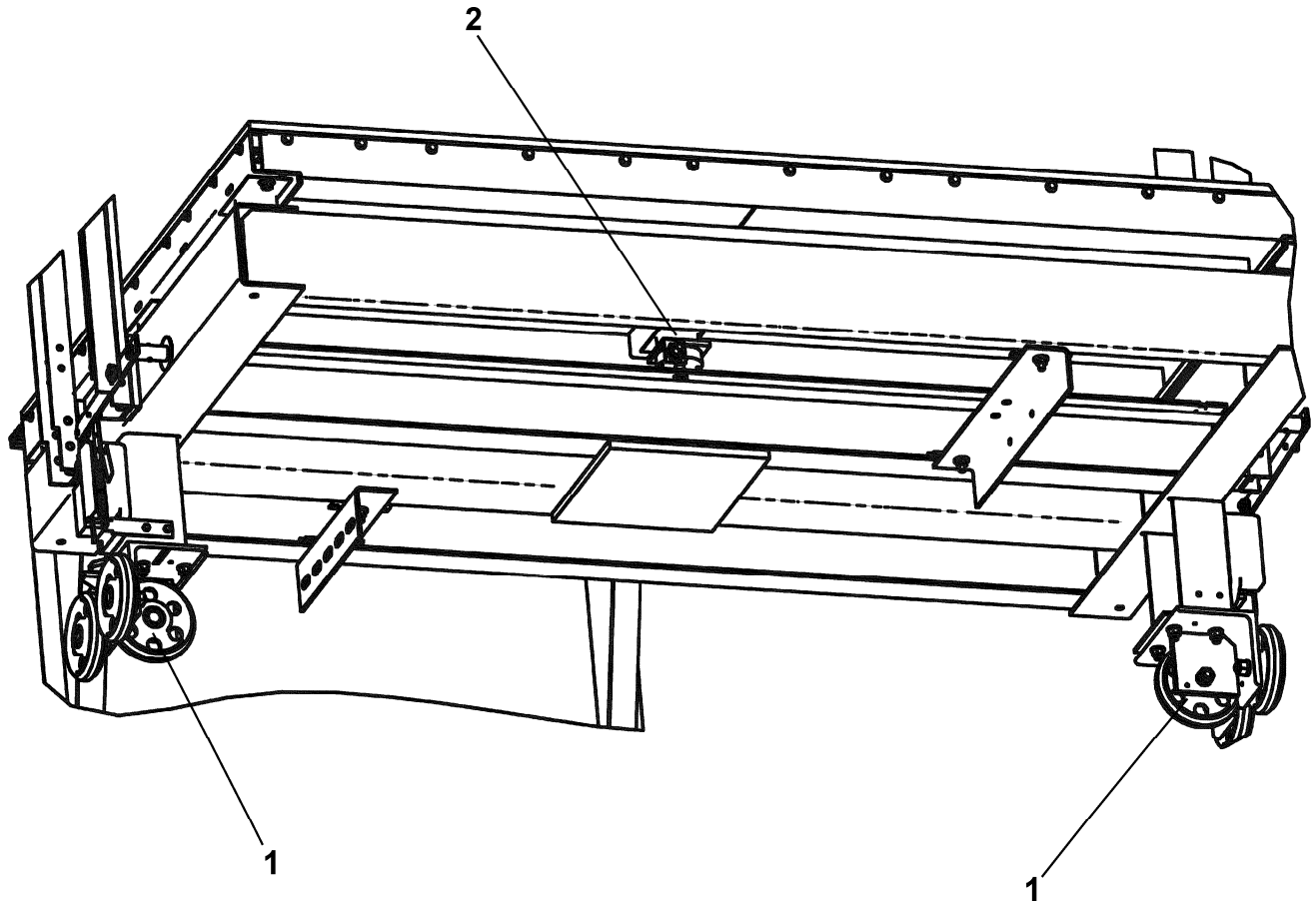
About Spare Parts Leaflets...

This document lists the lowest replaceable units (LRUs) for the standard version of the product. The LRUs are chosen by a team of Otis associates representing engineering and manufacturing.

While goal of this document is to make parts identification as easy as possible, the document cannot be all-inclusive. Elevator and escalator contracts classified as “special” or “custom” are not addressed here. For such contracts, please refer to specified information, the contract folder, TIPs, Field Education Articles, Construction Letters, etc. for further information. If you have any suggestions about this document, please contact the subject matter expert listed on this page.



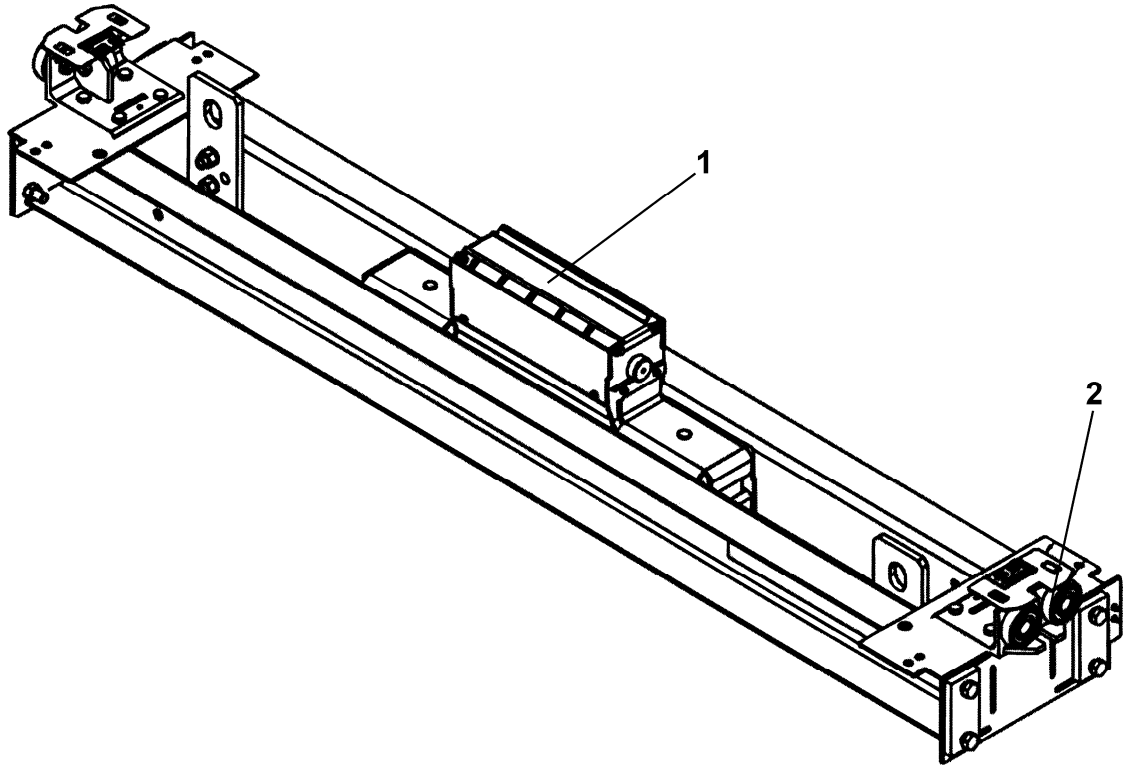
W/O VINTAGE		
REF. No.	PART No.	DESCRIPTION
1	FAA299CJ1	Bar, Safety Linkage
2	A310JF1	Block, Isolation Pad
3	AAA316GXB1	Bracket, SOS Actuating Cam (as shown governor car left)
	AAA316GXB2	Bracket, SOS Actuating Cam (opposite as shown governor car right)
4	AAA316GXA1	Bracket, SOS (as shown governor car left)
	AAA316GXA2	Bracket, SOS (opposite as shown governor car right)
5	ABA7630Z1	Device, Position Transducer, See SPL 12-AAA7630Z
6	FAA430G998	Link, Between SOS/Safety Block (order to length), (as shown governor car left)
	FAA430G999	Link, Between SOS/Safety Block (order to length), (opposite as shown governor car right)



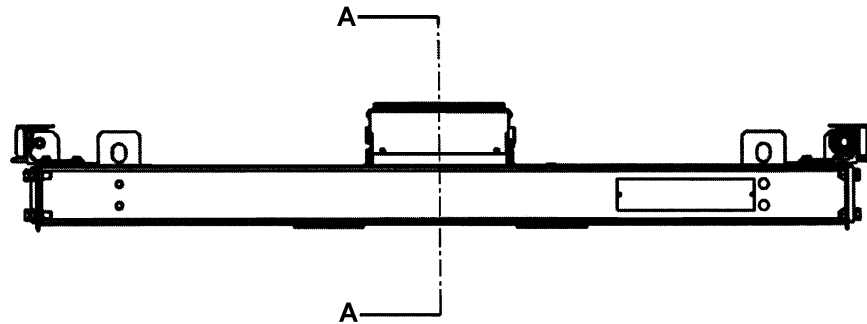
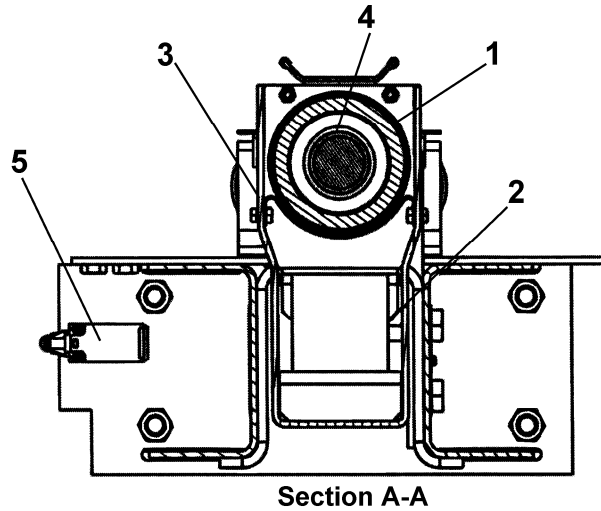
W/O VINTAGE		
REF. No.	PART No.	DESCRIPTION
1	---	Guides, Roller (bottom), #1 and # 1-1/2 Rails, See SPL 14-AAA24180AX
	---	Guides, Roller (bottom), #2 Rails, See SPL 14-AAA24180AX
2	---	Transducer, Load Weighing, See SPL 17-6183CD

Crosshead Assembly

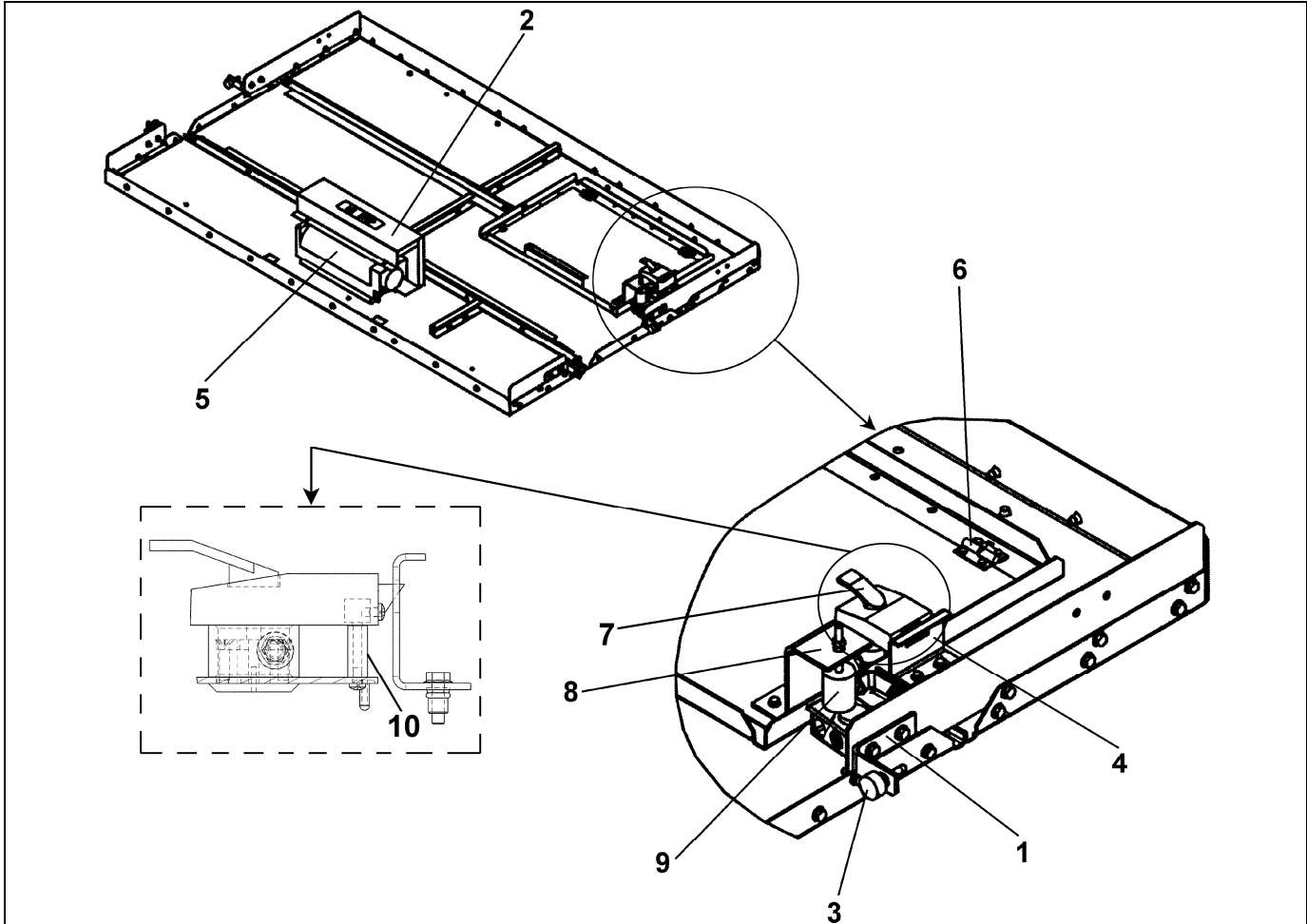
14-FAA24011Z



REF. No.	W/O VINTAGE PART No.	DESCRIPTION
1	AAA384HK1	Guard, Sheave
2	---	Guide, Roller (top), for #2 Rail, See SPL 14-AAA24180AW
	---	Guide, Roller (top), for #1 and 1 1/2 Rail, See SPL 14-AAA24180AW

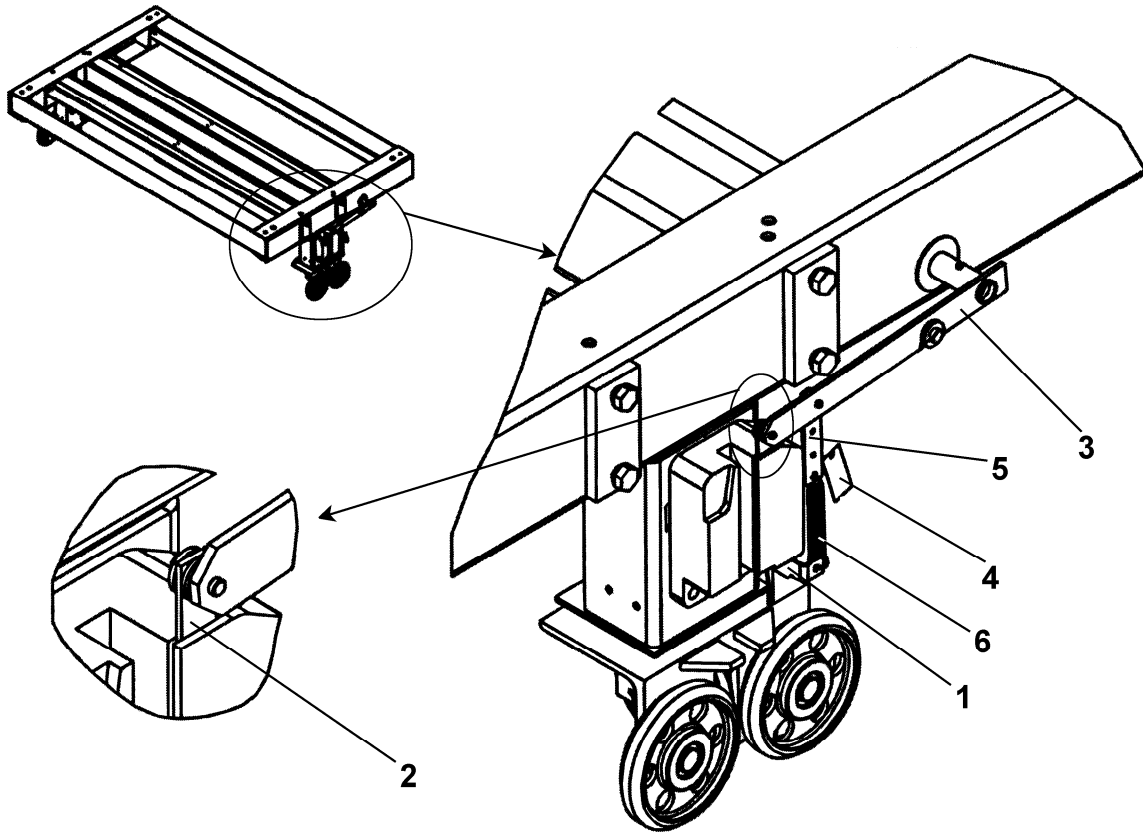


REF. No.	W/O VINTAGE PART No.	DESCRIPTION
1	AAA20780A2 AAA20780P6	Assembly, Sheave (includes bearings)
2	AAA310RB1	Block, Rubber Isolation
3	AAA384AFK1	Guard, Bottom
4	AAA462T1	Spacer
5	AAA661D5	Switch, SOS



REF. No.	W/O VINTAGE PART No.	DESCRIPTION
1	FAA316CGF1	Angle, Cab Steadier (w/o bumper ref. 3)
2	AAA308WD1	Baffle, Fan Cover
3	FAA320AV1	Bumper, Cab Steadier
4	AAA347BCA2	Channel, Latch
5	AAA24720S1	Fan
6	391W23	Hinge, Female
	391W22	Hinge, Male
*	---	Key, Yale 1245
7	AAA431AM1	Lock, Emergency Exit
8	176DE2	Plug, w/Bracket
9	618AD1	Socket, Emergency Exit
10	354AD3	Spacer

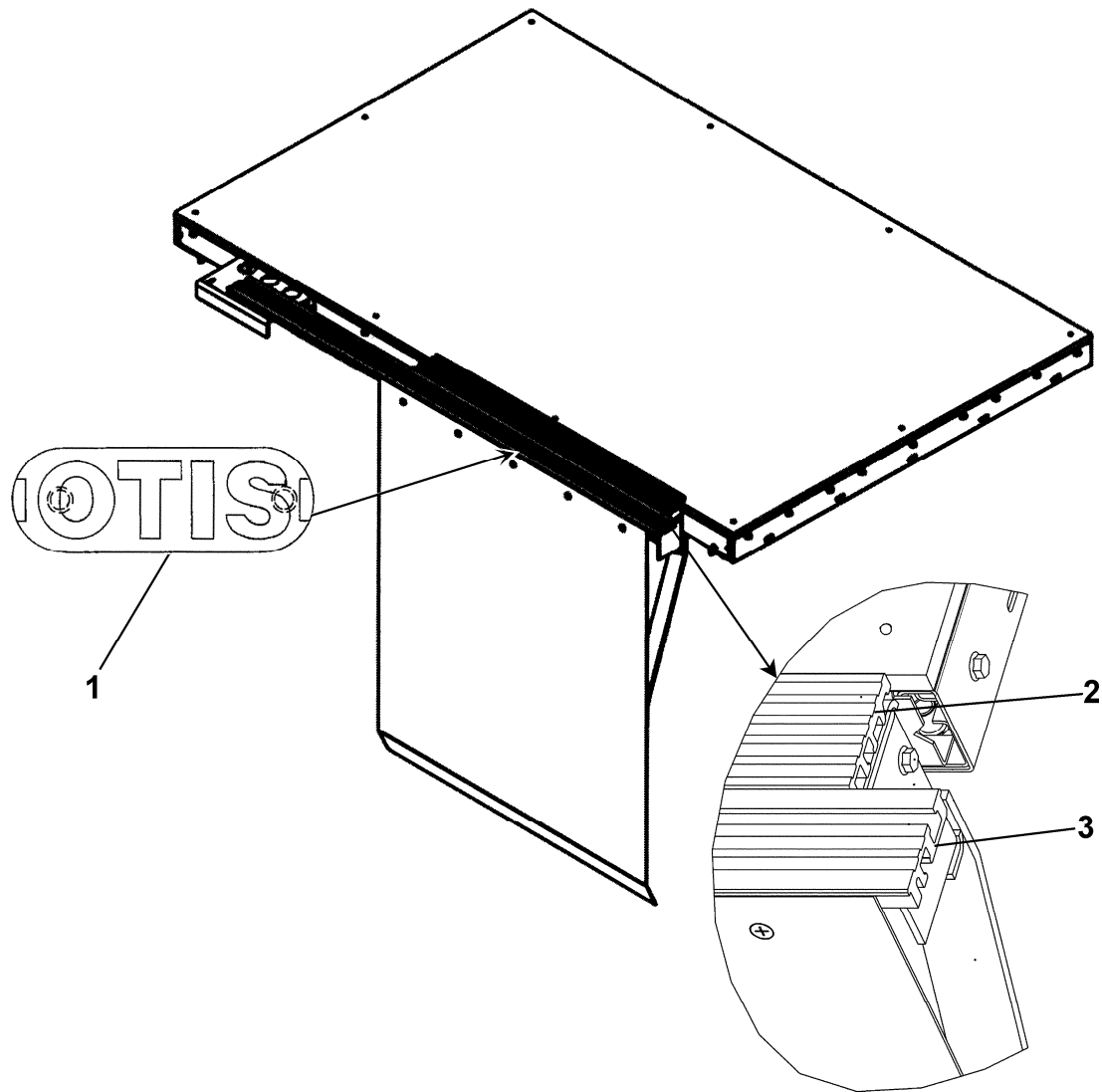
* Part not shown.



W/O VINTAGE		
REF. No.	PART No.	DESCRIPTION
1	FAA316CGH1	Bracket, Spring Retention
2	FAA288DR1	Lever (as shown, car left)
	FAA288DR2	Lever (opposite as shown, car right)
3	FAA288DT1	Lever, Safety
4	102DR1	Plate, Data
5	FAA386AZN1	Plate, Spring Linkage
6	AAA91AX2	Spring, Extension, Rise 0–32.1 Meters
	AAA91AX3	Spring, Extension, Rise 32.2–53.5 Meters
	AAA91AX4	Spring, Extension, Rise 53.6–75.0 Meters

Threshold Assembly

14-FAA24011Z



W/O VINTAGE			
REF. No.	PART No.	DESCRIPTION	MATERIAL FINISH
1	102HX1-AL	Plate, Name	Aluminum
	102HX1-BR		Brass
	102HX1-NS		Nickel Silver
2	50AJR-41-48	Shape, Extruded Threshold Extension, 48 in. Long	Aluminum
	50AJR-7-48		Brass
	50AJR-45-48		Nickel Silver
3	50AHV-AL-72	Shape, Extruded Threshold, S/S & C/O, 72 in. Long	Aluminum
	50AHV-BR-72		Brass
	50AHV-NS-72		Nickel Silver