

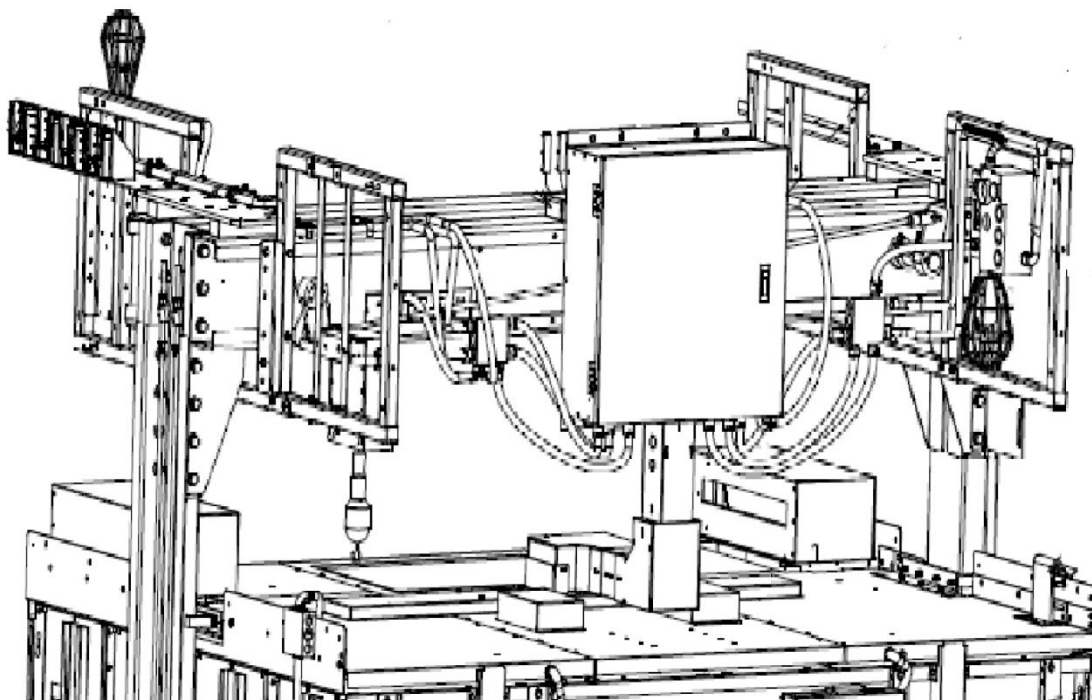
**Top-of-Car Components
GMH**

Spare Parts Leaflet

14-AAA25400CA

February 26, 2025 / Page 1 of 4

**W/O
VINTAGE**



OTIS

This document does not contain any technical data subject to EAR or ITAR

**SERVICE ENGINEERING
Otis Elevator Company
Bloomfield, Connecticut USA**

Unpublished Work—© Otis Elevator Co.; 2025

History

14-AAA25400CA

Leaflet Description

This leaflet describes the top of car components spare parts information for the GMH product.

Leaflet Revisions

Date Revised	Subject Matter Expert	Reason for Revision
December 12, 2013	Allen. Li	New SPL
February 26, 2025	Tom Charney	AAA25580DE2 replaced AAA25580BF5

Related Drawings

Drawing No.	Title	Drawing No.	Title
AAA25400CA	Car Component and Wiring Layout	AAA25580BF	Top of car equipment
AAA25580BE	Top of car equipment	AAA25580BJ	Auxiliary work light
AAA24520AA	Detector Box	GAA24270AH	Load weight device
AAA24270K	Load weight device	KAA29505AAN	ET Sensor
KAA29505AAM	NT Sensor	AAA25580DE	TOC Equip. Rear Work Light

Related Documents

Document ID	Title

Subject Matter Expert

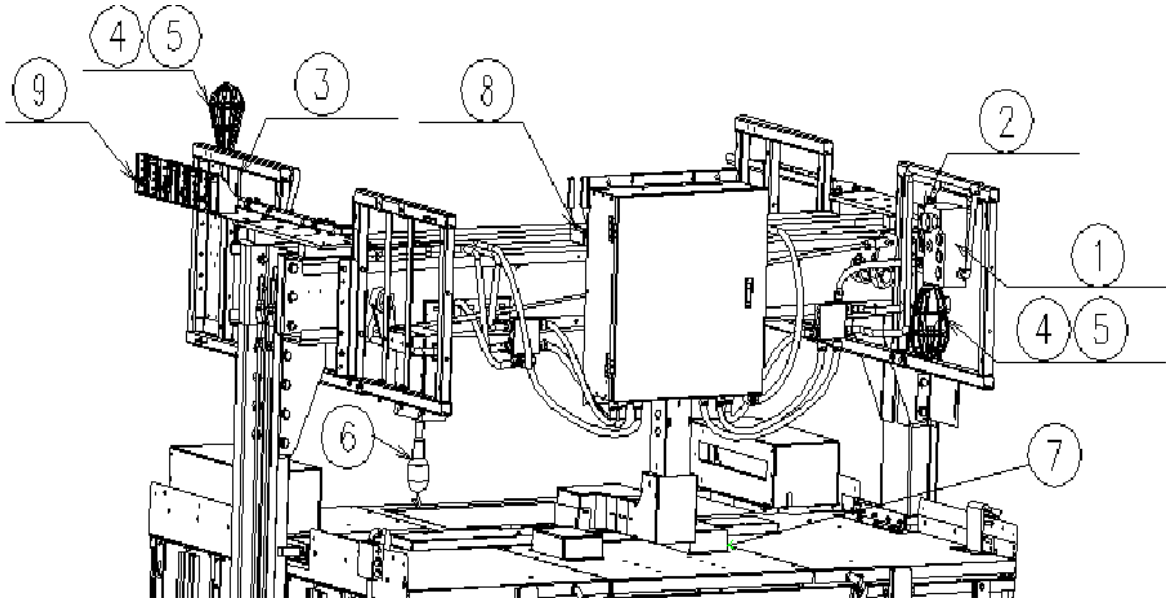
Name	Department
Allen. Li	HRSIT, Shanghai, China
Tom Charney	OSC Service Engineering

About Spare Parts Leaflets...

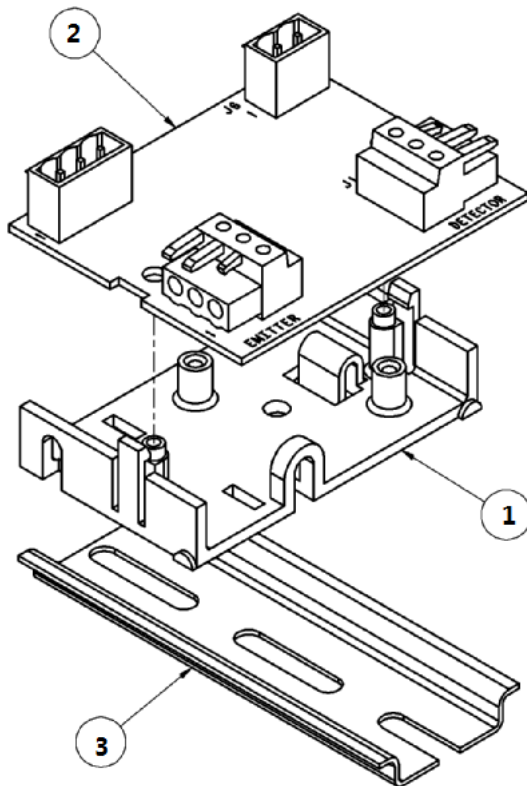
This document lists the lowest replaceable units (LRUs) for the standard version of the product. The LRUs are chosen by a team of Otis associates representing engineering and manufacturing.

While goal of this document is to make parts identification as easy as possible, the document cannot be all-inclusive. Elevator and escalator contracts classified as "special" or "custom" are not addressed here. For such contracts, please refer to specified information, the contract folder, TIPs, Field Education Articles, Construction Letters, etc. for further information.

If you have any suggestions about this document, please contact the subject matter expert listed on this page.



W/O VINTAGE		
REF. No.	PART No.	DESCRIPTION
1	MBA24831A001	Inspection Box, See SPL 14-MAA24831A
2	AAA25580BE6	Assembly, TOC Alarm and Lighting Fixture (w/o Lamp Guard) with GFCI Outlet Front Entrance Only
3	AAA25580BF5 AAA25580DE2	Assembly, TOC Emergency Stop Switch and Lighting Fixture (w/o Lamp Guard) Rear Entrance Only
4	AAA384ABX2	Guard , Lamp
5	6599D14	Lamp, 125 VAC, 100 W
6	AAA25580BJ	Light Box, Auxiliary, See SPL 17-AAA25580BJ
7	---	Electronic Door Detector Material, See p. 4
8	GAA24270AH	Load Weight Device, See SPL 17-GAA24270AH
	AAA24270K	Load Weight Device, See SPL 17-AAA24270K
9	KAA29505AAN	ET Sensor, See SPL 12-KAA29505AAN
	KAA29505AAM	NT Sensor, See SPL 12-KAA29505AAM



	W/O VINTAGE	
REF. No.	PART No.	DESCRIPTION
1	AAA180FE1	Holder, Molded
2	AAA24591AM117	OPTIGUARD® PCB. Use only with OPTIGUARD Emitter and Detector
3	401B89	Rail