

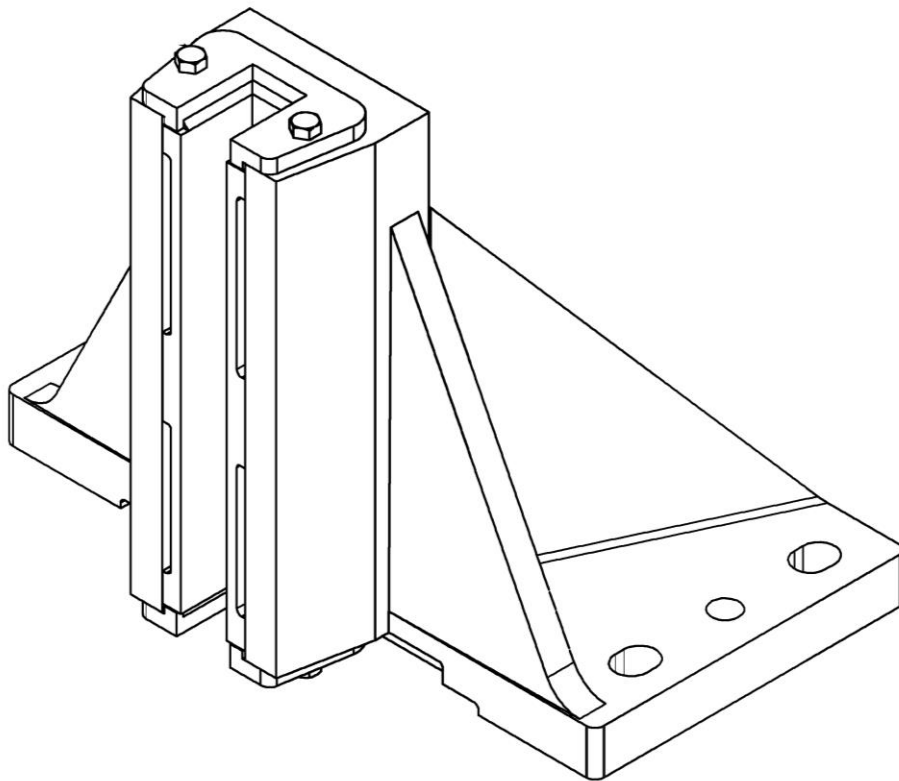
Guide Shoe, Slide

Spare Parts Leaflet

14-AAA24179C

December 13, 2002 / Page 1 of 3

**W/O
VINTAGE**



OTIS

Safety First!

SERVICE ENGINEERING
Otis Elevator Company
Bloomfield, Connecticut USA

Leaflet Description

This SPL describes and depicts the Lowest Replaceable Units (LRU) of this sliding guide shoe.

Leaflet Revisions

Date Revised	Subject Matter Expert	Reason for Revision
December 13, 2002	Duane Stupienski	New SPL

Related Drawings

Drawing No.	Title	Drawing No.	Title
AAA24179C	Solid Top Guide Shoe Assembly	---	---

Related Documents

Document ID	Title
506-VI-6	Material List
4507B9	Material List

Subject Matter Expert

Name	Department
Duane Stupienski	Service Engineering

About Spare Parts Leaflets...

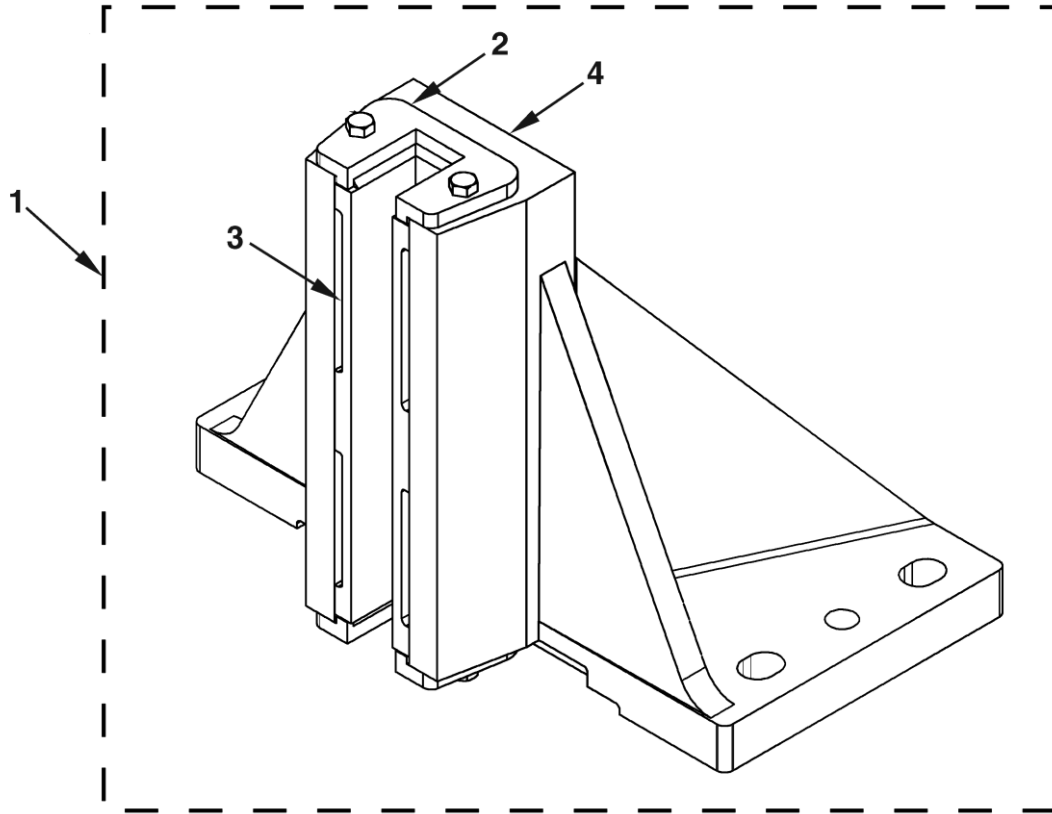
This document lists the lowest replaceable units (LRUs) for the standard version of the product. The LRUs are chosen by a team of Otis associates representing engineering and manufacturing.

While goal of this document is to make parts identification as easy as possible, the document cannot be all-inclusive. Elevator and escalator contracts classified as "special" or "custom" are not addressed here. For such contracts, please refer to specified information, the contract folder, TIPs, Field Education Articles, Construction Letters, etc. for further information.

If you have any suggestions about this document, please contact the subject matter expert listed on this page.

Guide Shoe

14-AAA24179C



W/O VINTAGE		
REF. No.	PART No.	DESCRIPTION
1	501-VI-6 4507B9 AAA24179C1	Assembly, Guide Shoe, Sliding (casting No.: 72-CF-1)
2	329AE1	Cap, End
3	6592 380AT1	Gib (casting No.: 72-CF-2)
4	6594 AAA237CU1	Shoe, Guide (casting No.: 72-CF-1)