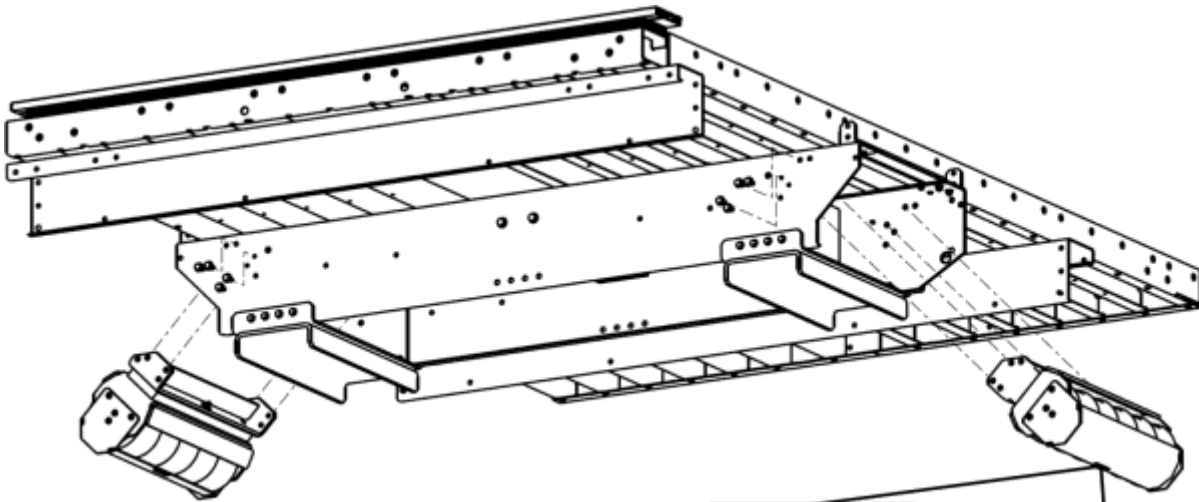


Integrated Sheave Kit

Spare Parts Leaflet

14-AAA20780Y

March 30, 2022 / Page 1 of 7



**W/O
VINTAGE**

or

14 A - AAA20780Y

14 A - ABA20780Y

14 A - AAA20780Z

14 A - ABA20780Z

OTIS

This document does not contain any technical data subject to EAR or ITAR

SERVICE ENGINEERING

Otis Elevator Company

Bloomfield, Connecticut USA

Unpublished Work—© Otis Elevator Co.; 2022

Leaflet Description

This leaflet provides spare parts information for the integrated sheave kit types AAA20780Y and AAA20780Z. When ordering the entire assembly, order the ABA version. The ABA versions have improved isolations, larger fasteners, and increased quantity of fasteners.

Leaflet Revisions

Date Revised	Subject Matter Expert	Reason for Revision
August 29, 2012	Kiron Bhaskar	New SPL
January 8, 2014	Richard Blakelock	Updated Vintage information
July 22, 2015	Richard Blakelock	Added ABA20780Y3
May 11, 2016	Richard Blakelock and Gary Mendrala	Updated information
March 30, 2022	Gary Mendrala	Added p/n ABA20780Y4

Related Drawings

Drawing No.	Title	Drawing No.	Title
AAA20780Y	Integrated Sheave Kit	AAA20780Z	Integrated Sheave Kit
ABA20780Y	Integrated Sheave Kit	ABA20780Z	Integrated Sheave Kit
AAA282CA	Platform, ASM	AAA29507E	Hardware Kits
AAA282BV	Platform, ASM	AAA20780X	Integrated Sheave Kit
		ABA20780X	Integrated Sheave Kit

Related Documents

Document ID	Title
---	---

Subject Matter Expert

Name	Department
Gary Mendrala	OSC Service Engineering

About Spare Parts Leaflets...

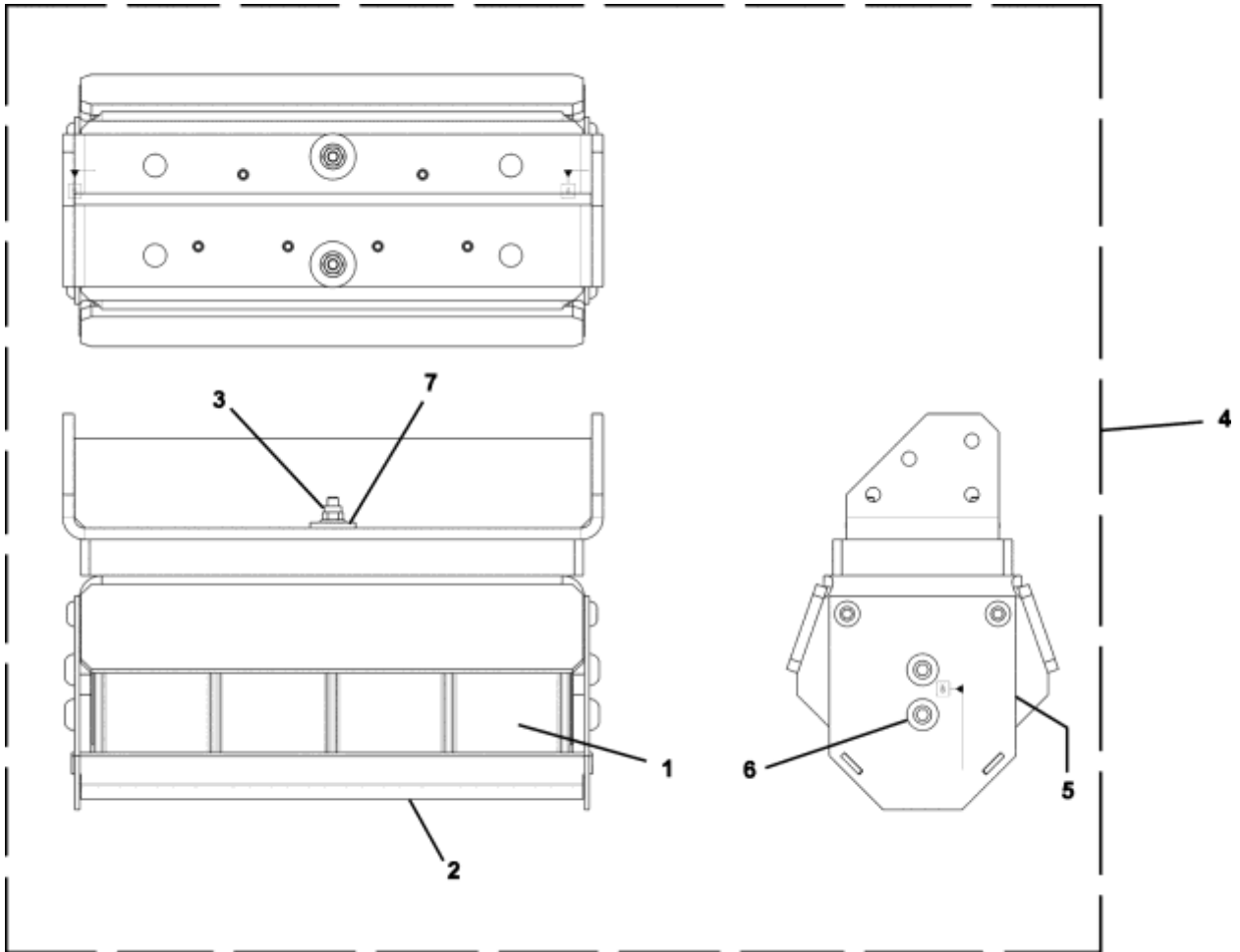
This document lists the lowest replaceable units (LRUs) for the standard version of the product. The LRUs are chosen by a team of Otis associates representing engineering and manufacturing.

While goal of this document is to make parts identification as easy as possible, the document cannot be all-inclusive. Elevator and escalator contracts classified as "special" or "custom" are not addressed here. For such contracts, please refer to specified information, the contract folder, TIPS, Field Education Articles, Construction Letters, etc. for further information.

If you have any suggestions about this document, please contact the subject matter expert listed on this page.

Integrated Sheave Kit

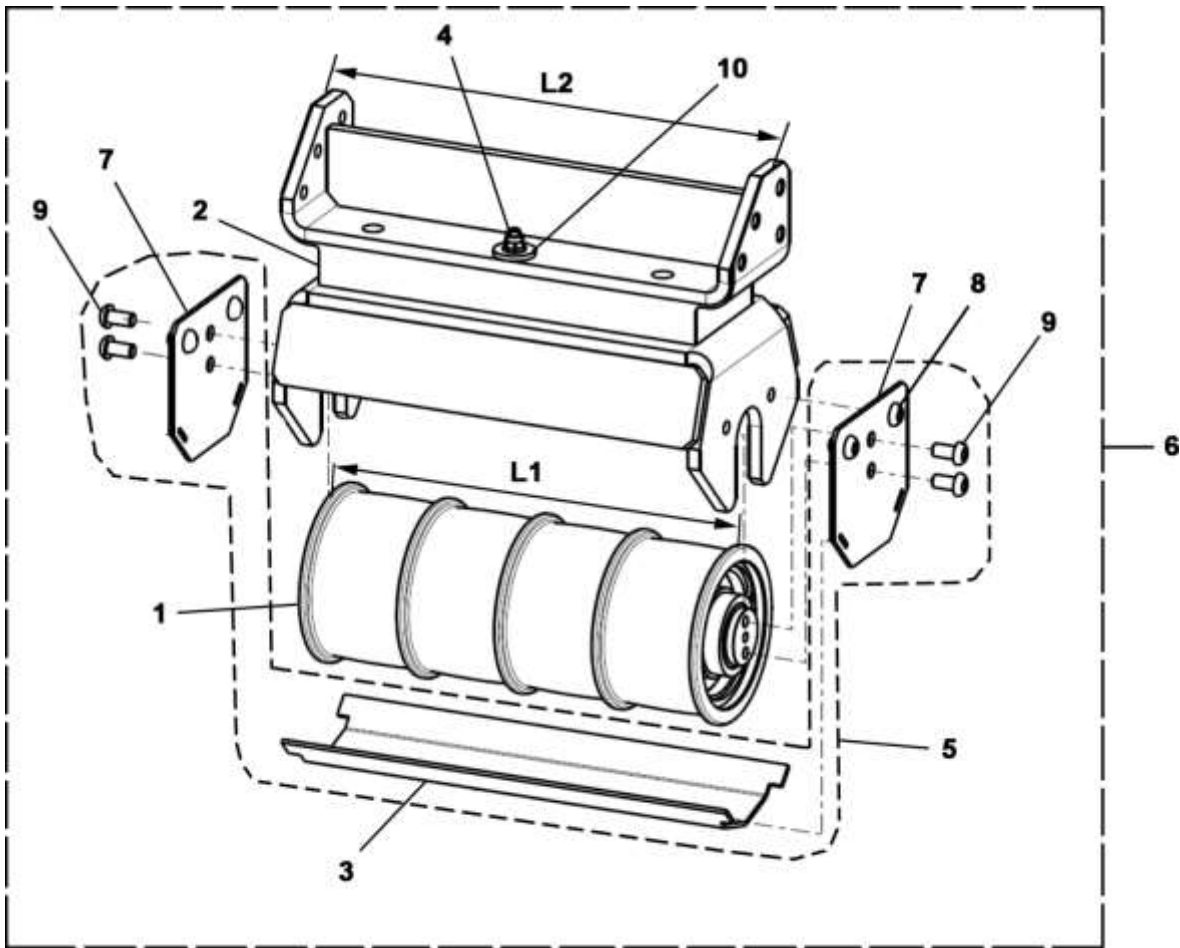
14-AAA20780Y



	AAA20780X	ABA20780X	
REF. No.	PART No.		DESCRIPTION
1	TAA266F4		Assembly, Sheave
2	AAA384AV1		Guard, Sheave
3	ISO7043M6-10NF-Z		Hex Nut, Prevailing Torque, w/ Flange
4	AAA20780X1	ABA20780X1 ABA20780Y3 ABA20780Y4	Kit, Sheave
5	AAA386MPN1		Plate, Retainer
6	ISO7380M10X16-10.9B		Screw, Socket Button Head, M10 X 16
7	AAA131ND1		Washer, Special

Integrated Sheave Kit

43KN, 4-Groove



AAA20780Y

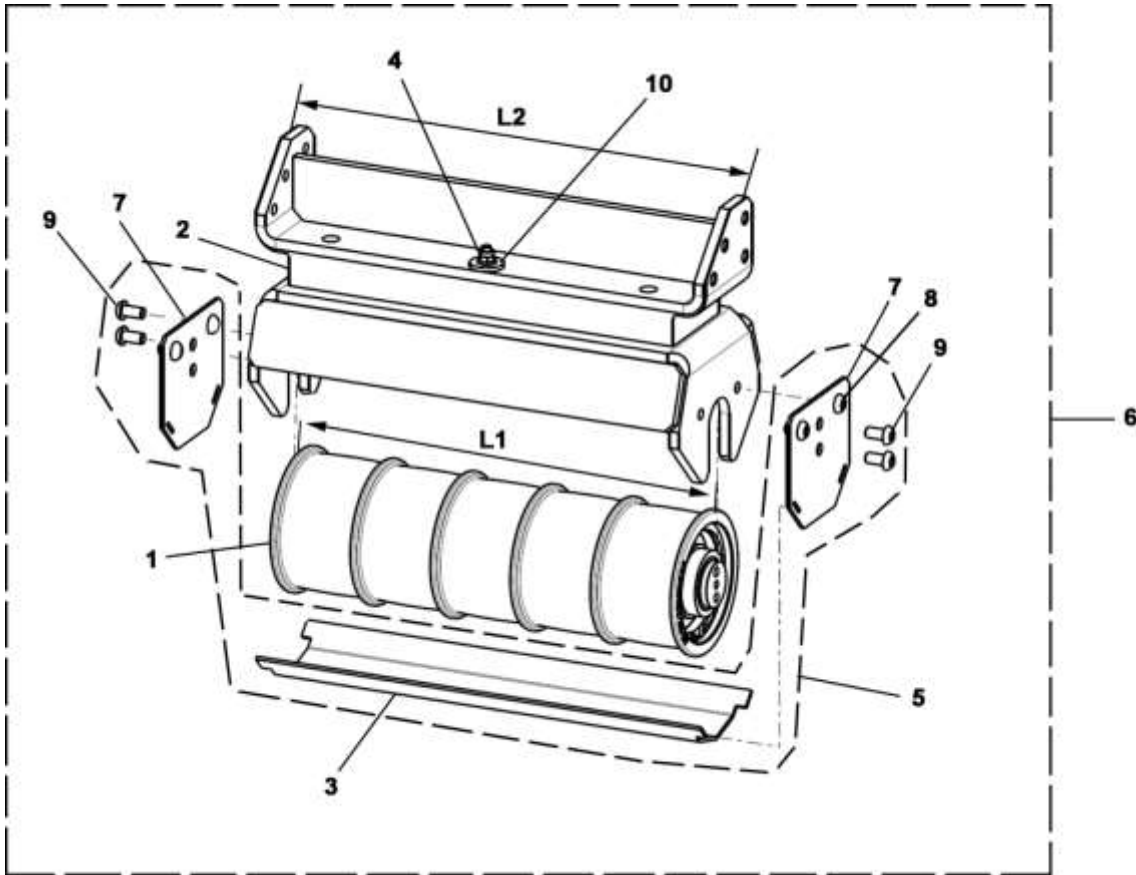
ABA20780Y

REF. No.	PART No.				DESCRIPTION
1	AAA20780P8				Assembly, Sheave, L1 = 265 mm (includes shaft and bearings)
2	AAA310XE1	ABA310XE1	ABA310XE1	ABA310XE3	Block, Isolation
3	AAA384AVY1				Guard, Sheave
4	ISO7043M6-10NF-Z	ISO7043M8-10NF-Z			Hex Nut, Prevailing Torque, w/ Flange
5	AAA20780Y400	ABA20780Y400			Kit, Includes Guard, End Plates, and Fasteners
6	AAA20780Y4	ABA20780Y1	ABA20780Y3	ABA20780Y4	Kit, Integrated Sheave, L2 = 301 mm
7	AAA386MSP1				Plate, Retainer
8	ISO7380M8X12-10.9B				Screw, Socket Button Head, M8 X 12
9	ISO7380M8X16-10.9B				Screw, Socket Button Head, M8 X 16
10	AAA131ND1	AAA131ND2			Washer, Special

Integrated Sheave Kit

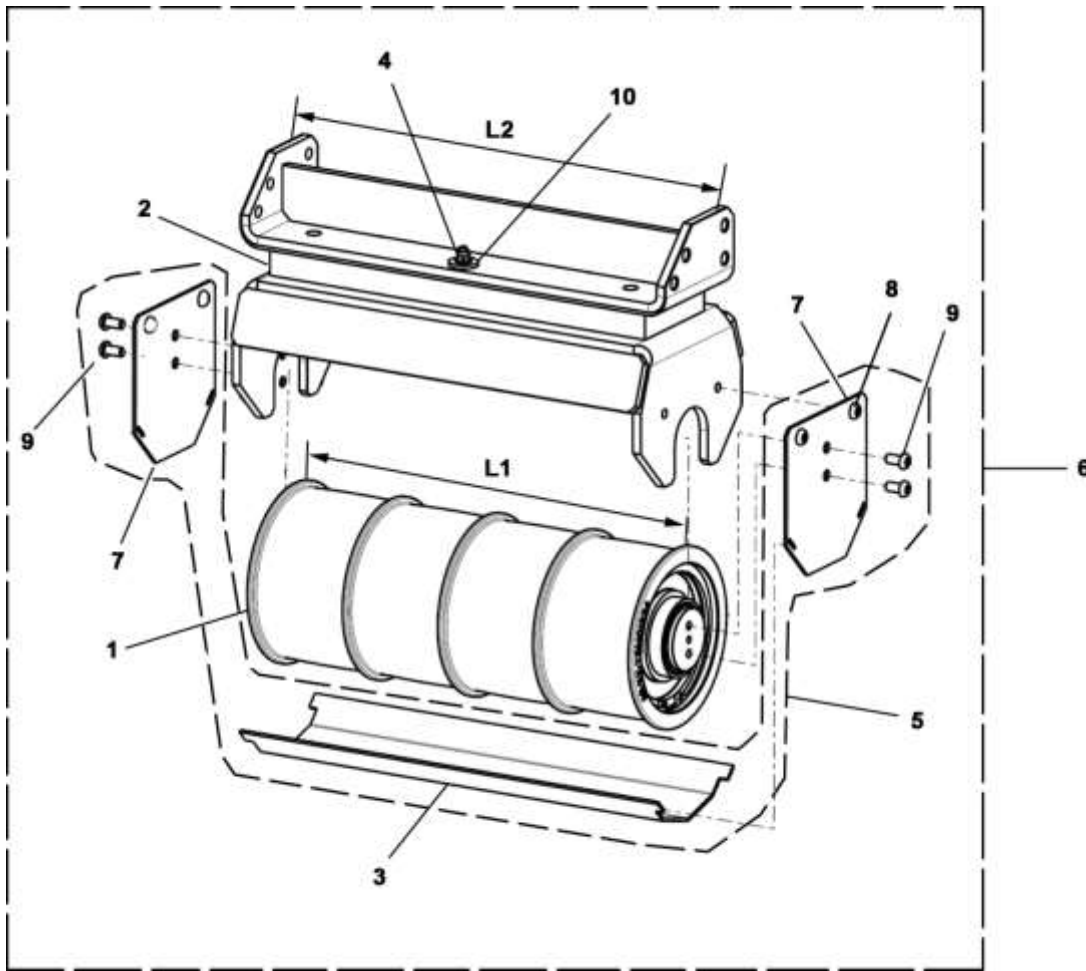
14-AAA20780Y

43KN, 5-Groove



	AAA20780Y	ABA20780Y	
REF. No.	PART No.		DESCRIPTION
1	AAA20780P9		Assembly, Sheave, L1 = 330 mm (includes shaft and bearings)
2	AAA310XE11	ABA310XE11	Block, Isolation
3	AAA384AVY2		Guard, Sheave
4	ISO7043M6-10NF-Z	ISO7043M8-10NF-Z	Hex Nut, Prevailing Torque w/ Flange
5	AAA20780Y401	ABA20780Y401	Kit, Includes Guard, End Plates, and Fasteners
6	AAA20780Y2	ABA20780Y2	Kit, Integrated Sheave, L2 = 366 mm
7	AAA386MSP1		Plate, Retainer
8	ISO7380M8X12-10.9B		Screw, Socket Button Head, M8 X 12
9	ISO7380M8X16-10.9B		Screw, Socket Button Head M8 X 16
10	AAA131ND1	AAA131ND2	Washer, Special

**Integrated Sheave Kit
64KN, 4-Groove**

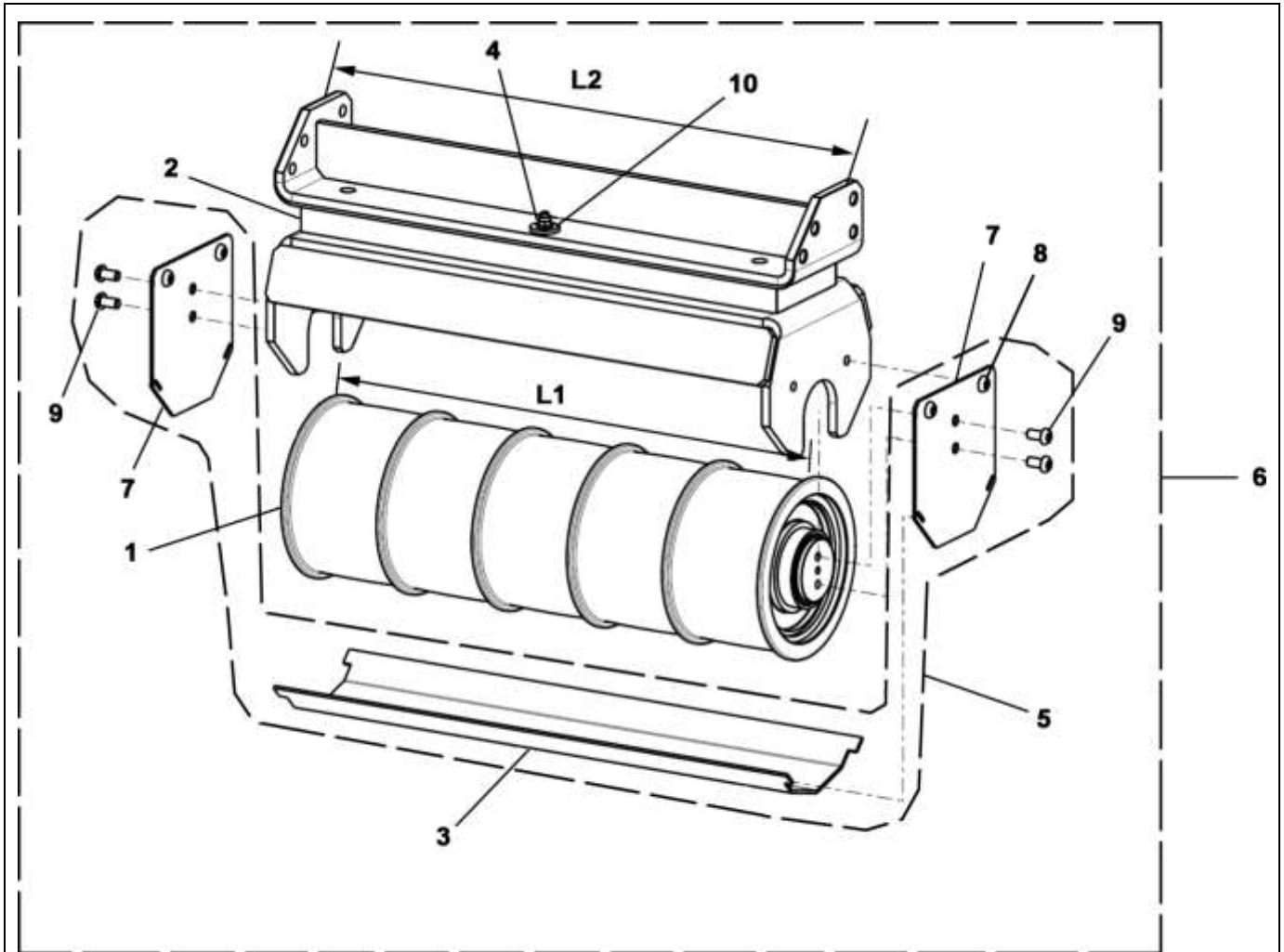


	AAA20780Z	ABA20780Z	
REF. No.	PART No.		DESCRIPTION
1	AAA20780W9		Assembly, Sheave L1 = 385 mm (includes shaft and bearings)
2	AAA310XF1	ABA310XF1	Block, Isolation
3	AAA384AWA1		Guard, Sheave
4	ISO7043M6-10NF-Z	ISO7043M10-10NF-Z	Hex Nut, Prevailing Torque w/ Flange
5	AAA20780Z400	ABA20780Z400	Kit, Includes Guard, End Plates and Fasteners
6	AAA20780Z1	ABA20780Z1	Kit, Integrated Sheave, L2 = 424 mm
7	AAA386MTC1		Plate, Retainer
8	ISO7380M8X12-10.9B		Screw, Socket Button Head M8X12
9	ISO7380M8X16-10.9B		Screw, Socket Button Head M8X16
10	AAA131ND1	AAA131ND2	Washer, Special

Integrated Sheave Kit

14-AAA20780Y

64KN, 5-Groove



	AAA20780Z	ABA20780Z	
REF. No.	PART No.		DESCRIPTION
1	AAA20780W10		Assembly, Sheave, L1 = 480 mm (includes shaft
2	AAA310XF11	ABA310XF11	Block, Isolation
3	AAA384AWA2		Guard, Sheave
4	ISO7043M6-10NF-Z	ISO7043M10-10NF-Z	Hex Nut, Prevailing Torque w/ Flange
5	AAA20780Z401	ABA20780Z401	Kit, Includes Guard, End Plates, and Fasteners
6	AAA20780Z2	ABA20780Z2	Kit, Integrated Sheave, L2 = 519 mm
7	AAA386MTC1		Plate, Retainer
8	ISO7380M8X12-10.9B		Screw, Socket Button Head M8X12
9	ISO7380M8X16-10.9B		Screw, Socket Button Head M8X16
10	AAA131ND1	AAA131ND2	Washer, Special