

# Wedge Clamp Safeties Types 6, 11, 39, 43

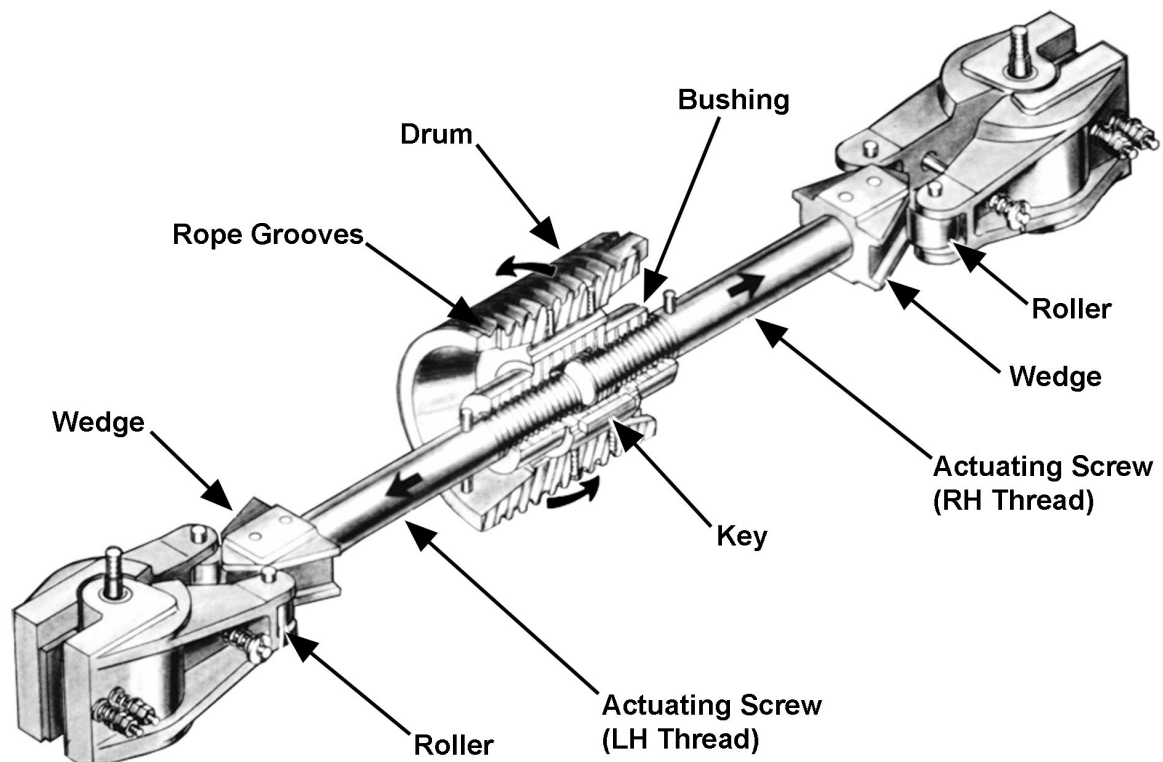
Spare Parts Leaflet

14-A6215A

April 2, 2025 / Page 1 of 8

## OBSOLESCENCE NOTICE

The product listed in this SPL is obsolete. Some components may still be available, but Otis recommends an upgrade (see TIP 32.2-1 for potential upgrade.)



# OTIS

This document does not contain any technical data subject to EAR or ITAR

**SERVICE ENGINEERING**

**Otis Elevator Company**

**Bloomfield, Connecticut USA**

Unpublished Work—© Otis Elevator Co.; 2025

**Leaflet Description**

This leaflet describes the type 6, 11, 39, and 43 wedge clamp safeties. The original type 39 and 43 safeties have jaws with no serviceable parts. Service parts for the type 39 and 43 safeties in this leaflet only apply to those safeties that have been converted to the type 11 and 6 safeties, respectively. Type 39 and 43 safeties are no longer able to be converted to Type 11 and 6, and a new safety would need to be installed if one needs replacing. Specific pages detail individual aligning shoes for each style as well as SOS switches and releasing carriers. Note the safeties identified in this leaflet are no longer in production and the majority of service parts are not kept in stock. Expect that most parts will require a lead time to order and supply.

**Leaflet Revisions**

<b>Date Revised</b>	<b>Subject Matter Expert</b>	<b>Reason for Revision</b>
February 19, 2014	Kyle Pereira	New SPL
November 19, 2014	Kyle Pereira	Added part and updated image to page 5
August 18, 2021	Juan Murillo	Updated Ref. 1 on p. 5
April 6, 2022	Juan Murillo	Corrected SPL reference on p. 5
September 21, 2022	Juan Murillo	Updated to include OBSOLESCENCE note on cover
April 2, 2025	Juan Murillo	Updated OBSOLESCENCE notice on page 1.

**Related Drawings**

<b>Safety Type</b>	<b>Drawing No.</b>	<b>Safety Type</b>	<b>Drawing No.</b>
6 W.C.	A6215A	---	---
11 W.C.	6222A	---	---

**Related Documents**

<b>Document ID</b>	<b>Title</b>
OMM 17.0	<i>Safeties</i>
SWP 17.0.1-A	<i>Safety Tests</i>
TIP 17.0-2	<i>Correcting Long and Short Safety Slides</i>

**Subject Matter Expert**

<b>Name</b>	<b>Department</b>
Juan Murillo	OSC Service Engineering

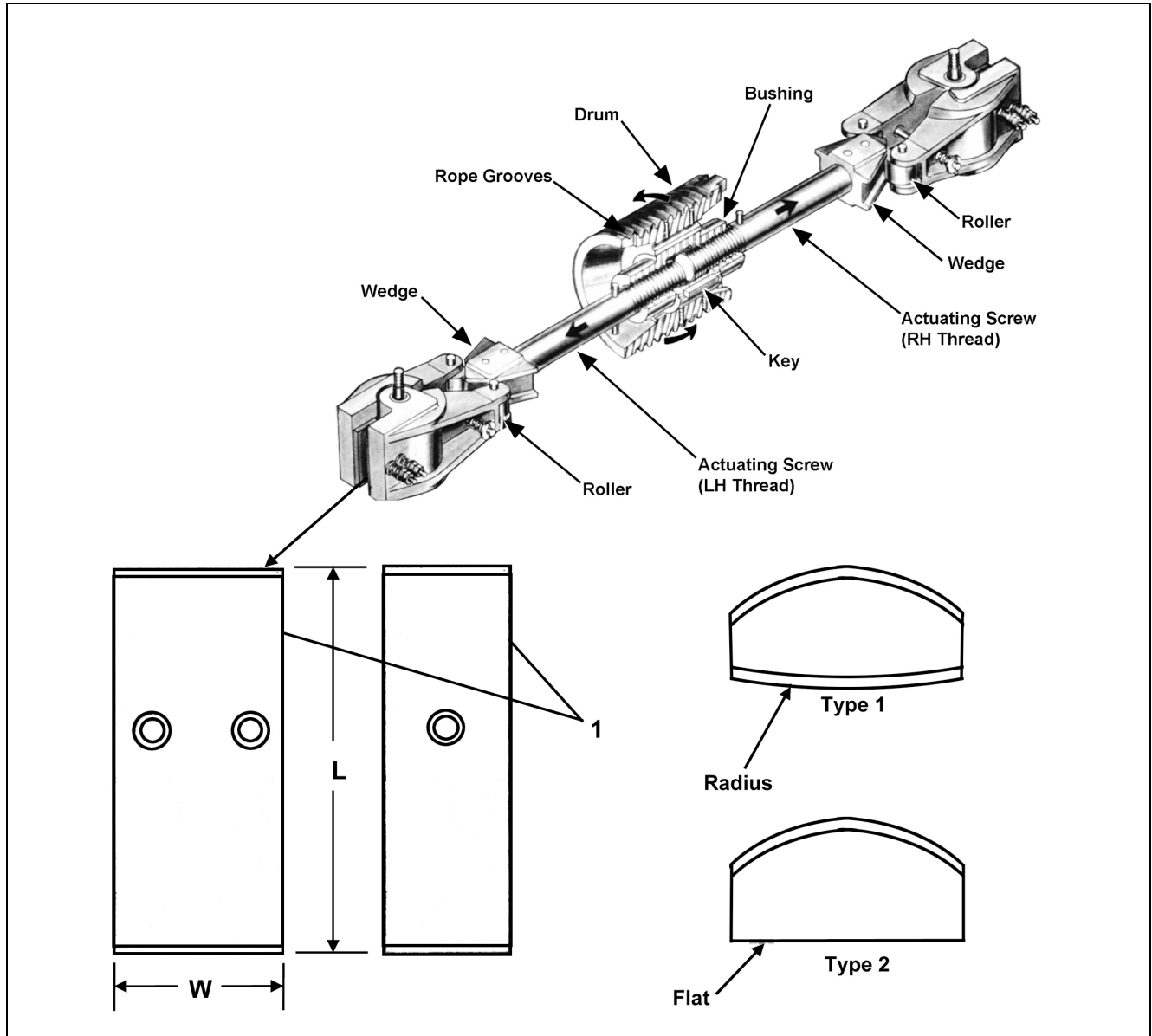
**About Spare Parts Leaflets...**

This document lists the lowest replaceable units (LRUs) for the standard version of the product. The LRUs are chosen by a team of Otis associates representing engineering and manufacturing.

While goal of this document is to make parts identification as easy as possible, the document cannot be all-inclusive. Elevator and escalator contracts classified as “special” or “custom” are not addressed here. For such contracts, please refer to specified information, the contract folder, TIPs, Field Education Articles, Construction Letters, etc. for further information.

If you have any suggestions about this document, please contact the subject matter expert listed on this page.

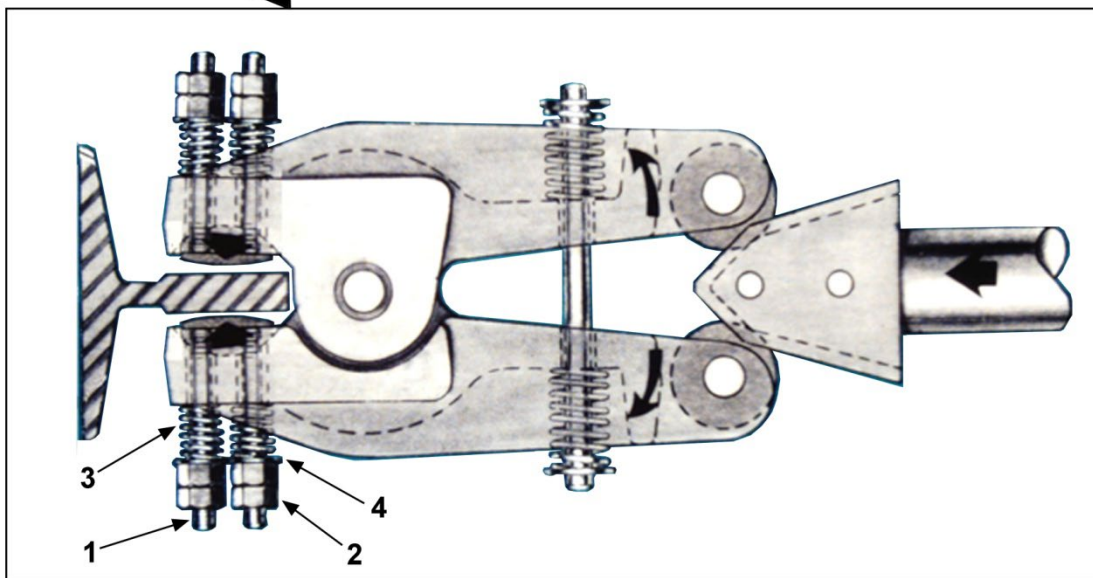
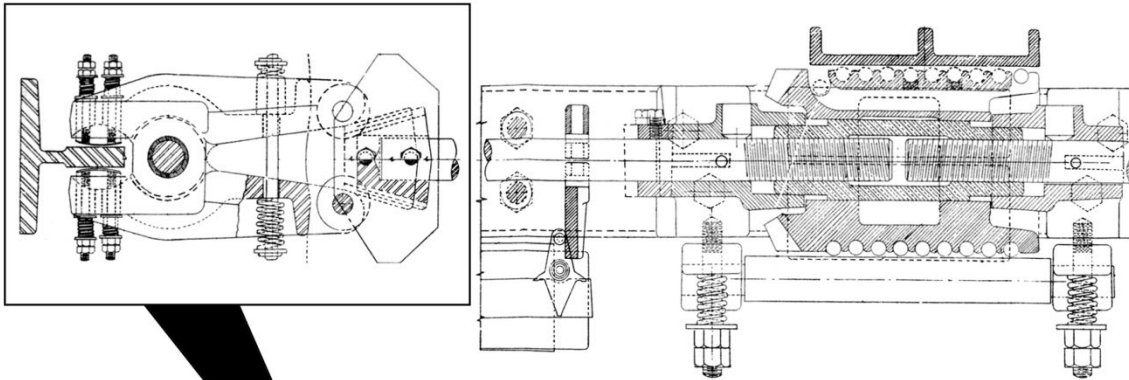
**Aligning Shoes**



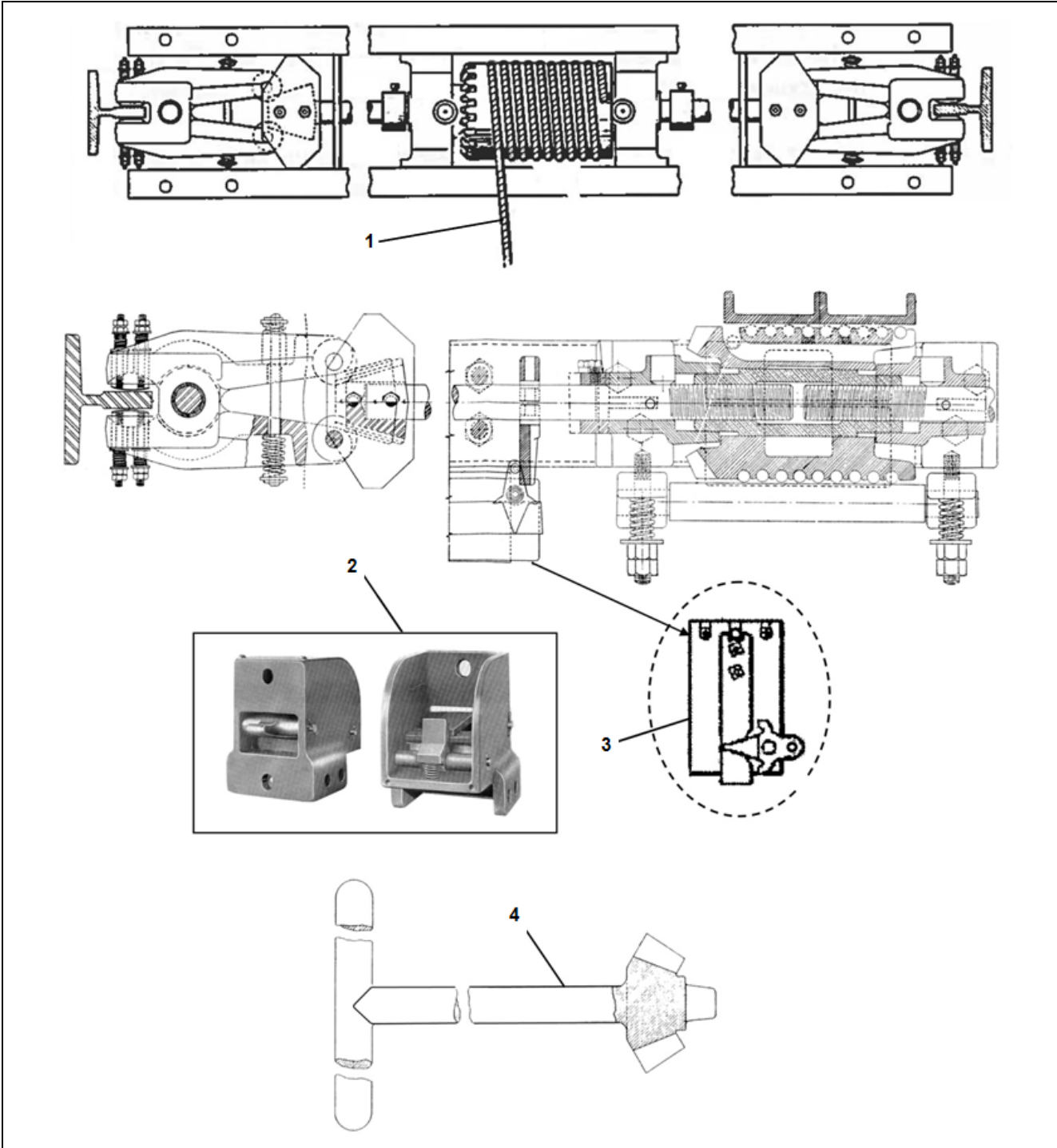
REF. NO.	PART NO.	L	W	TYPE	NO. OF HOLES	SAFETY TYPE	DESCRIPTION
1	62450	3.44 in. (8.74 cm)	1.5 in. (3.81 cm)	2	2	6 & 43	Shoe, Aligning
	470R1		1 in. (2.54 cm)	1	1		
	470T1				2		
	63323	3.94 in. (10 cm)	1.5 in. (3.81 cm)	1	2		
	64509		1 in. (2.54 cm)		1		
	62446	5.44 in. (13.82 cm)	1.75 in. (4.44 cm)	2	2	11 & 39	
	62459			1			
66979	5.94 in. (15 cm)						

# Shoe Hardware

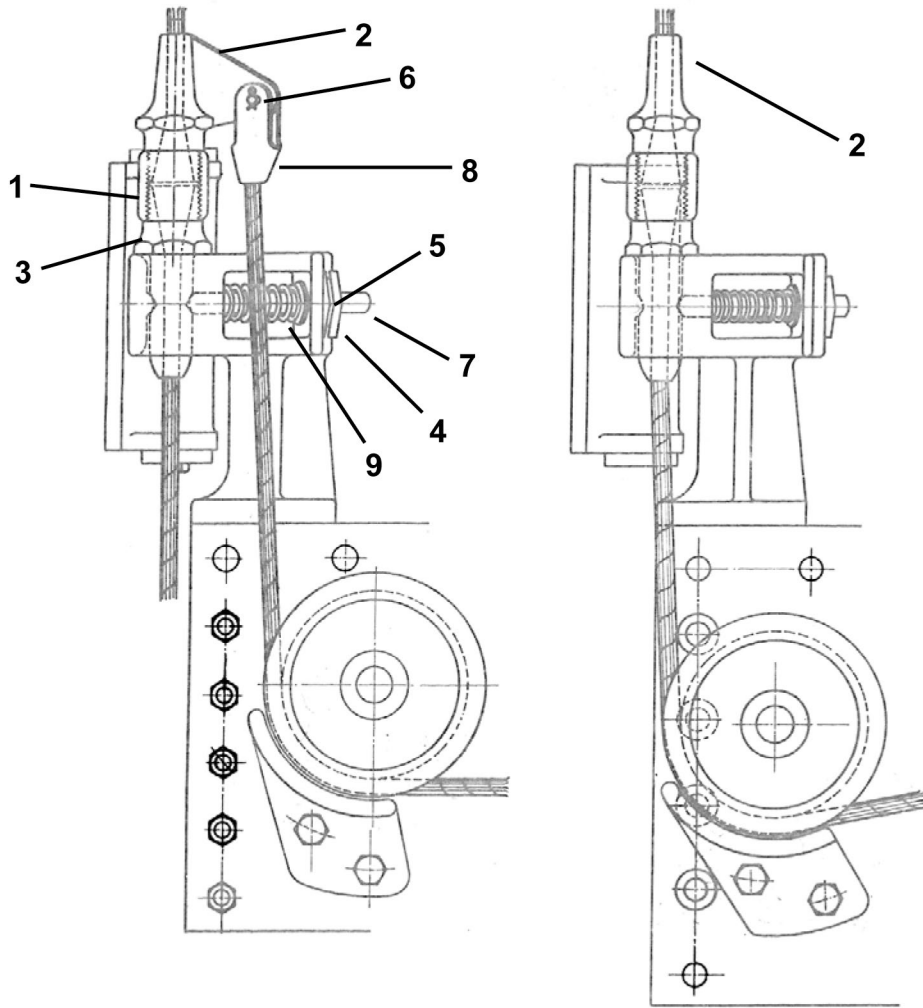
**14-A6215A**



REF. No.	PART No.	DESCRIPTION
1	808762 808608	Bolt, 0.25 in. (6.35 mm) Dia. x 2.75 in. (7 cm) Long
2	74A9	Nut, 1/4 in. -20 Thread
3	90JB1	Spring, 0.5 in. (12.7 mm) OD
4	127AD2	Washer, 0.25 in. (6.35 mm)



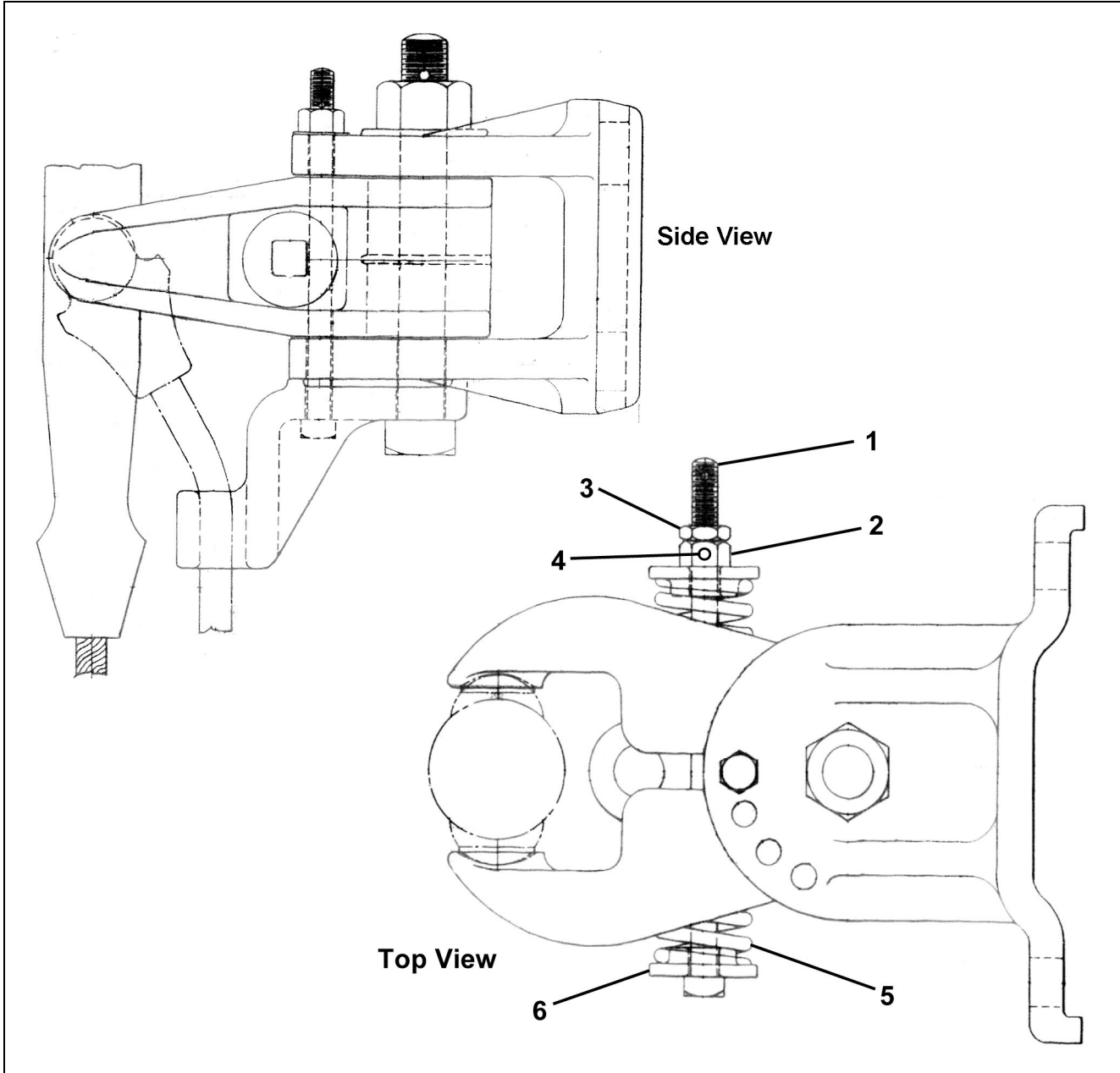
REF. No.	PART No.	DESCRIPTION
1	---	Rope, Stainless Steel, for Wedge Clamp Safeties, 7/16 in. 6 x 36 See SPL 11-AAA712P for order form. <b>NOTE:</b> Replaces "Tiller Rope" that is now prohibited by elevator code.
2	---	Switch, SOS, Type Y-3. See SPL C-365B.
3	---	Switch, SOS, Type 6098. See SPL 05-6098.
4	61619	Tool, Drum Rewinding, 18 in. (45.7 cm) Long, 10 Teeth



REF. No.	PART No.	DESCRIPTION
1	---	Coupling, 1.25 in. (3.175 cm) Std. Pipe
2	AAA231AB3	Coupling, Rope, w/ Socket Mount
	AAA231AB1	Coupling, Rope, w/o Socket Mount
3	AAA231AB2	Coupling, Rope, for Spring Catch Pin
4	62734 65CY1	Nut, Spring Adjusting, 1.25 in. (3.175 cm) -12 Thread, 7/8 in. (2.22 cm) Long
	814528	Nut, Spring Adjusting, 1.25 in. (3.175 cm)-12 Thread, 1.5 in. (3.81 cm) Long
5	62730	Nut, Check, Spring Adjusting, 1.25 in. (3.175 cm) -12 Thread
6	809269	Pin, Rope Socket
7	6305 81BY1	Pin, Spring Catch
8	6973	Socket
9	8895 90NC1	Spring, 21/32 in. (1.67 cm) ID

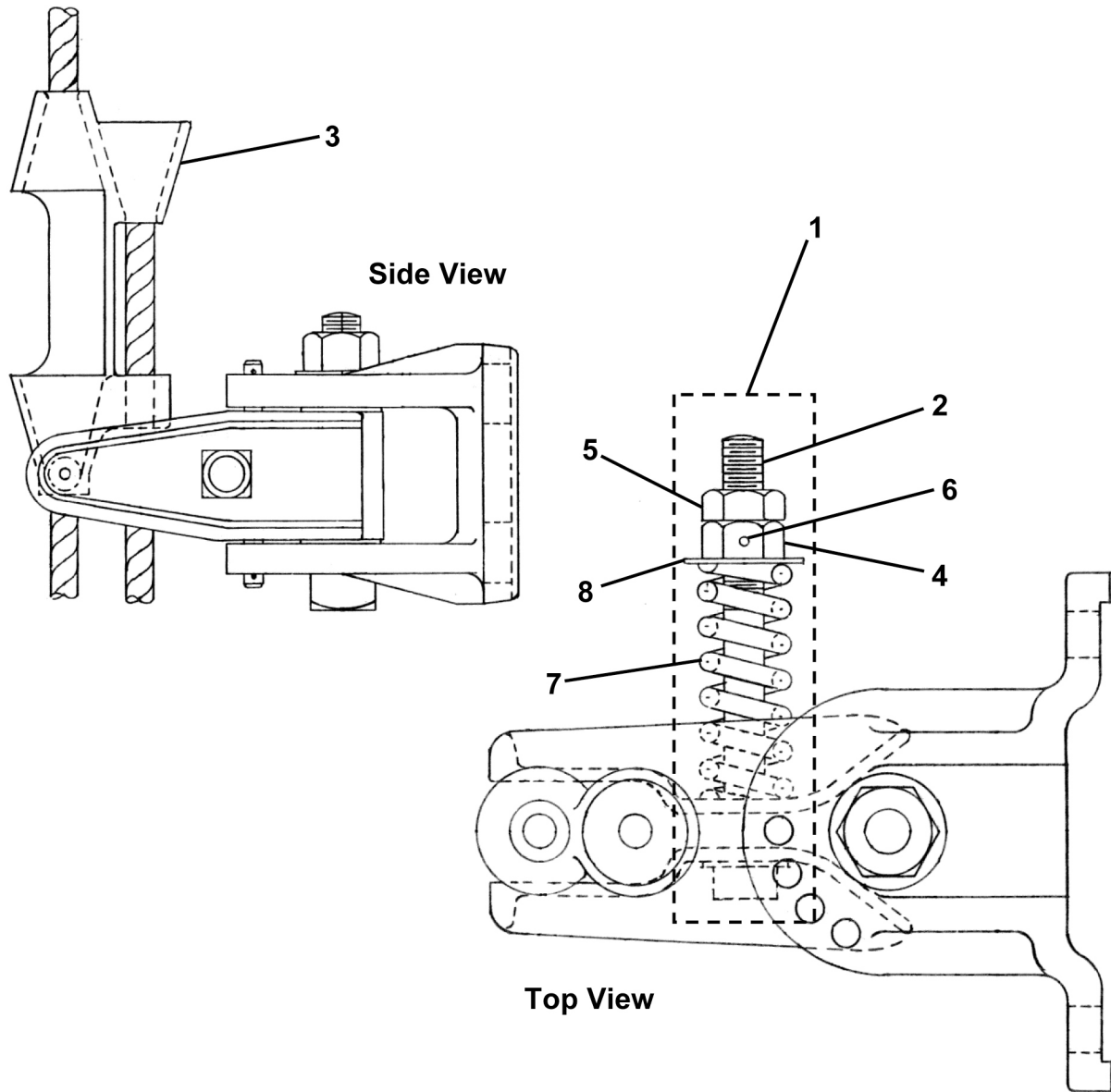
# Type "G" Releasing Carrier

**14-A6215A**



REF. No.	PART No.	DESCRIPTION
1	801994 60C30	Bolt, Releasing, 3/8 in. (9.53 mm) Dia. x 7.5 in. (19 cm) Long
2	81062 68A3	Nut, 3/8 in. (9.53 mm)
3	---	Nut, Check, 3/8 in. (9.53 mm)
4	80567	Pin, Cotter, 1/8 in. (3.18 mm) Dia. x 1 in. (2.54 cm) Long
5	801995	Spring, 0.207 in. (5.26 mm )Wire Dia. x 1.5 in. (3.81 cm) OD x 2.5 in.(6.35 cm) Long
6	114109	Washer, Spring

**Type "O" Releasing Carrier**



REF. No.	PART No.	DESCRIPTION
1	814338	Assembly, Releasing Bolt
2	807191	Bolt, Releasing, 5/8 in. (15.9 mm) Dia. x 4.25 in. (10.8 cm) Long
3	AAA338CD1	Coupling, Rope Releasing
4	---	Nut, 0.5 in. (12.7 mm)
5	---	Nut, Check, 0.5 in. (12.7 mm)
6	---	Pin, Cotter, 3/32 in. x 1.75 in. (2.38 x 44.5 mm)
7	<del>806629</del> 90AD2	Spring, 0.31 in. (7.87 mm) Wire Dia. x 7/8 in. (22.2 mm) I.D., 3-5/16 in. (84.1 mm) Long
8	---	Washer, 0.5 in. (12.7 mm) Std.