

# 4-7/8-in. Roller Guides

Spare Parts Leaflet

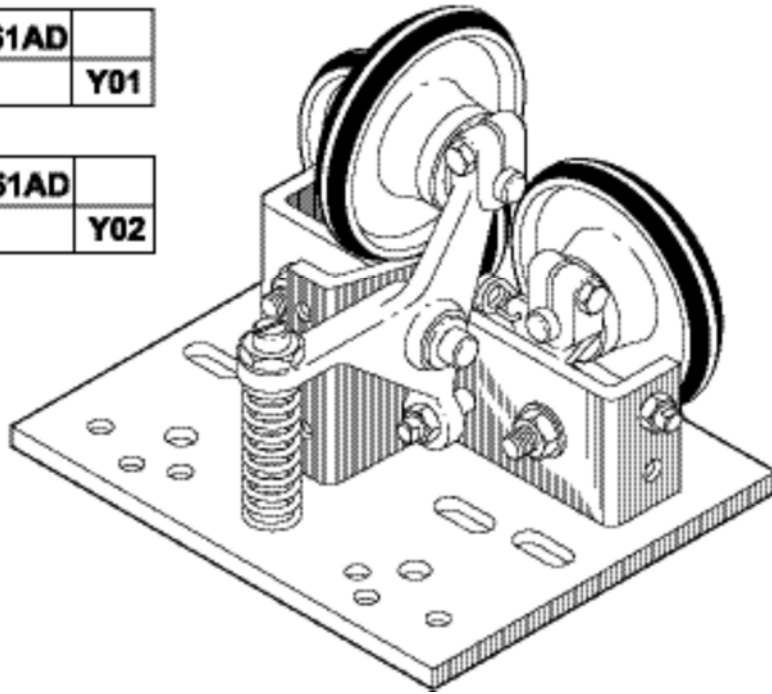
14-6261AD

August 1, 2018/ Page 1 of 8

**W/O VINTAGE**

<b>14</b>	<b>A6261AD</b>	
		<b>Y01</b>

<b>14</b>	<b>A6261AD</b>	
		<b>Y02</b>



# OTIS

This document does not contain any technical data subject to EAR or ITAR

SERVICE ENGINEERING  
Otis Elevator Company  
Bloomfield, Connecticut USA

Unpublished Work—© Otis Elevator Co.; 2018

## Leaflet Description

This leaflet provides spare parts information for 4-7/8-inch roller guides.

### Leaflet Revisions

Date Revised	Subject Matter Expert	Reason for Revision
April 1998	Duane Stupienski	New SPL to cover all vintages and record levels of 6261AD-type roller guide.
December 1, 1999	Duane Stupienski	Add vintage 02 information and bushing reaming note.
January 31, 2002	Duane Stupienski	Remove 335E84 bushing as LRU. Instruct user to select appropriate lever with preinstalled bushing.
August 1, 2018	Juan Murillo	Added reference to TIP 18.1-9; Updated document template

### Related Drawings

Drawing No.	Title	Drawing No.	Title
A6261AD	4-7/8 in. Roller Guide Assemblies	6261AD	4-7/8 in. Roller Guide Assemblies
A6261H	4-7/8 in. Roller Guide Assemblies	6261AN	4-7/8 in. Roller Guide Assemblies

### Related Documents

Document ID	Title
SPL 14-A6261AM	<i>10-in. Roller Guides</i>
SPL C-3033	<i>Sliding Guides, Lubricators (formerly Roller Guides)</i>
SU8-102	<i>Counterweight Roller Guides</i>
TIP 18.1-1	<i>A6261H - Failure of Spring Attachment</i>
TIP 18.1-5	<i>Roller Guide Lever Arm Information—Modernization</i>
TIP 18.1-9	<i>Roller Guide Rebuild Kits</i>

### Subject Matter Expert

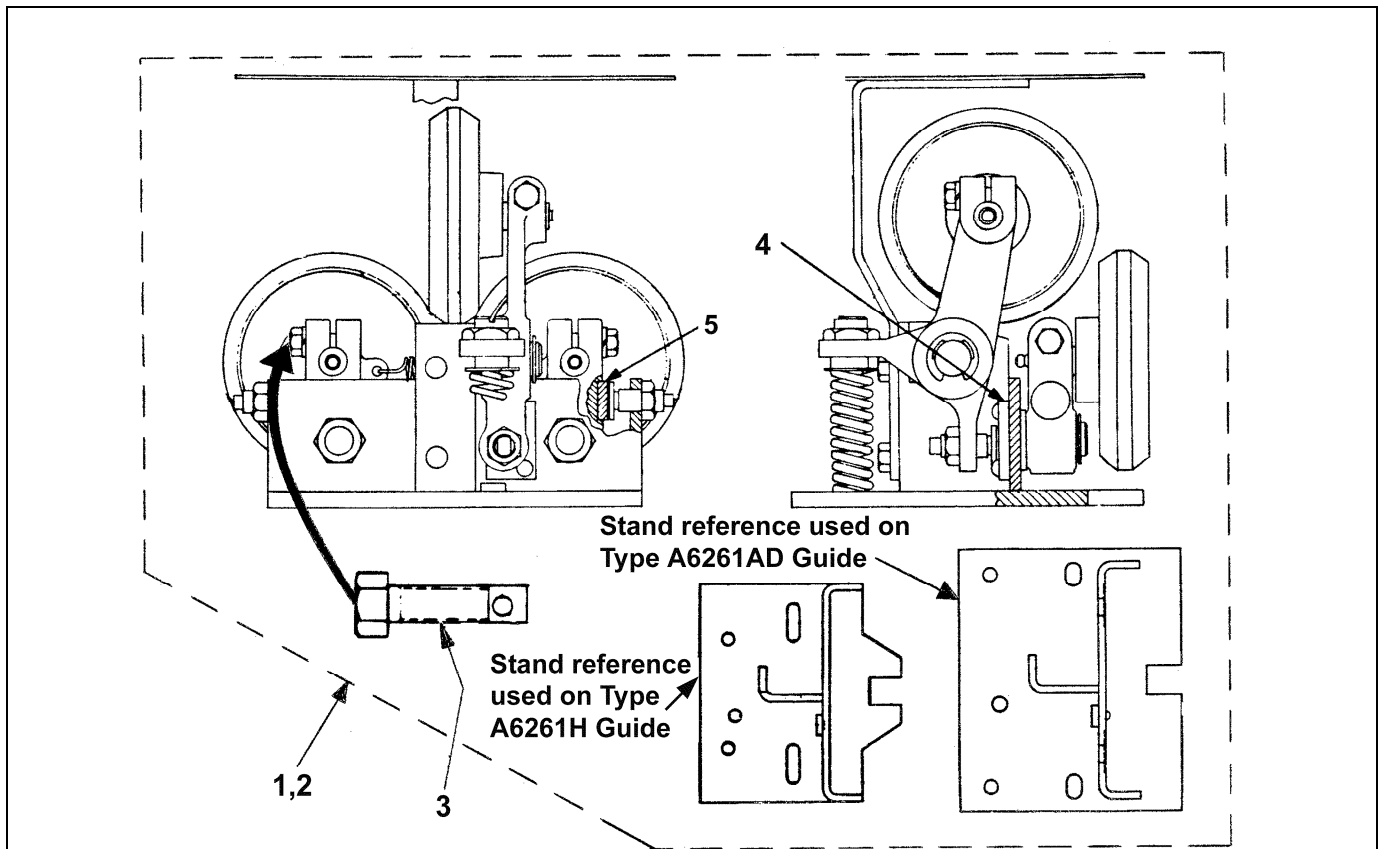
Name	Department
Juan Murillo	OSC Service Engineering

### About Spare Parts Leaflets...

This document lists the lowest replaceable units (LRUs) for the standard version of the product. The LRUs are chosen by a team of Otis associates representing engineering and manufacturing.

While goal of this document is to make parts identification as easy as possible, the document cannot be all-inclusive. Elevator and escalator contracts classified as "special" or "custom" are not addressed here. For such contracts, please refer to specified information, the contract folder, TIPs, Field Education Articles, Construction Letters, etc. for further information.

If you have any suggestions about this document, please contact the subject matter expert listed on this page.



6261 H/AD/AN  
A6261AD W/O VINTAGE  
PRIOR to OCT. 1995 PROD.

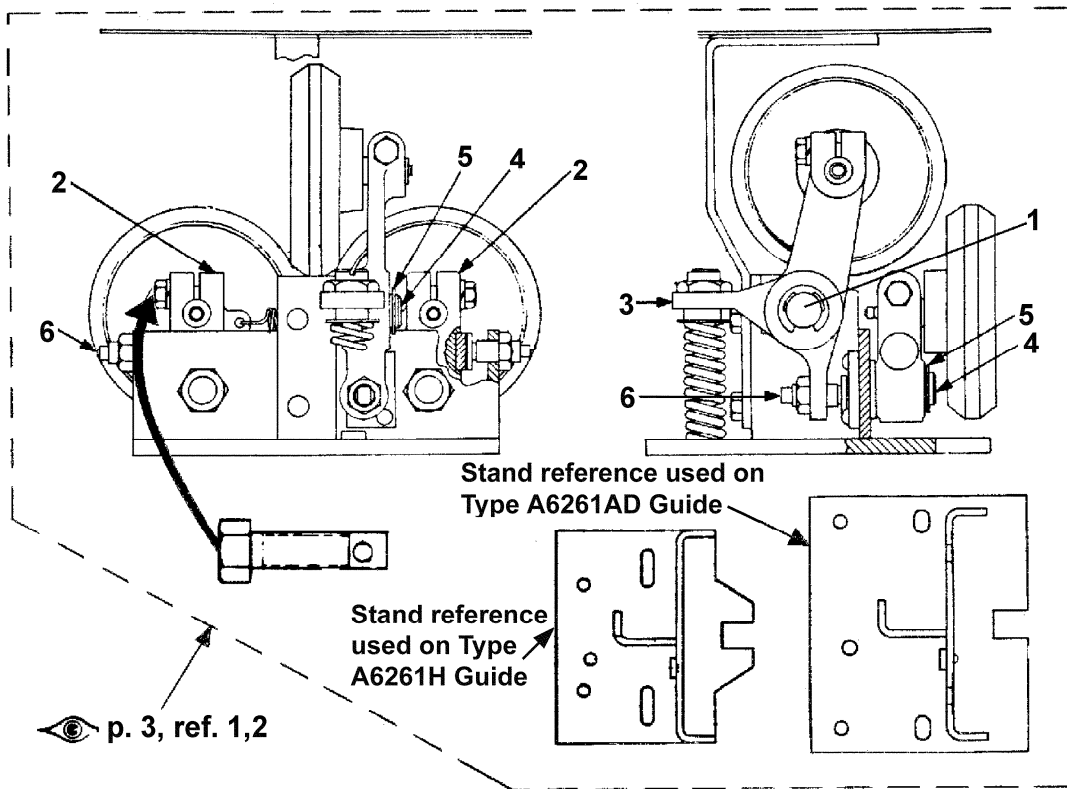
REF. No.	PART No.	DESCRIPTION
1	A6261H4	Assembly, Complete Roller w/A471CG1 Stand, 8.5 in. W, (use either A6261AD1 or A6261AD2)
2	A6261AD2	Assembly, Complete Roller Guide w/471EN2 Stand & Guard
	A6261AD1	Assembly, Roller Guide w/o Guard
	6261AN1*	Assembly, Roller Guide w/o Guard, 8.5 in. W Baseplate
	6261AN2*	Assembly, Roller Guide w/Guard, 8.5 in. W Baseplate
3	VP-713555	Bolt, Modified, 2 in. x 3/8 in. (⚠ Note), (only use on 3/8 thread arms)
4	320DA1	Bumper, Rubber Button 7/8 in. L x 45/64 in. W
5	320BM1	Bumper, 3/4 in. ⌀ x 1/4 in. W, Leather (for B288LJ3 lever)

**NOTE:** Spring bridging bolts are alternate service parts per TIP 18.1-1, A6261H–Failure of Spring Attachment.

\* Special order only.

**NOTE:** See TIP 18.1-9 for roller guide rebuild kits.

(Continued on next page)



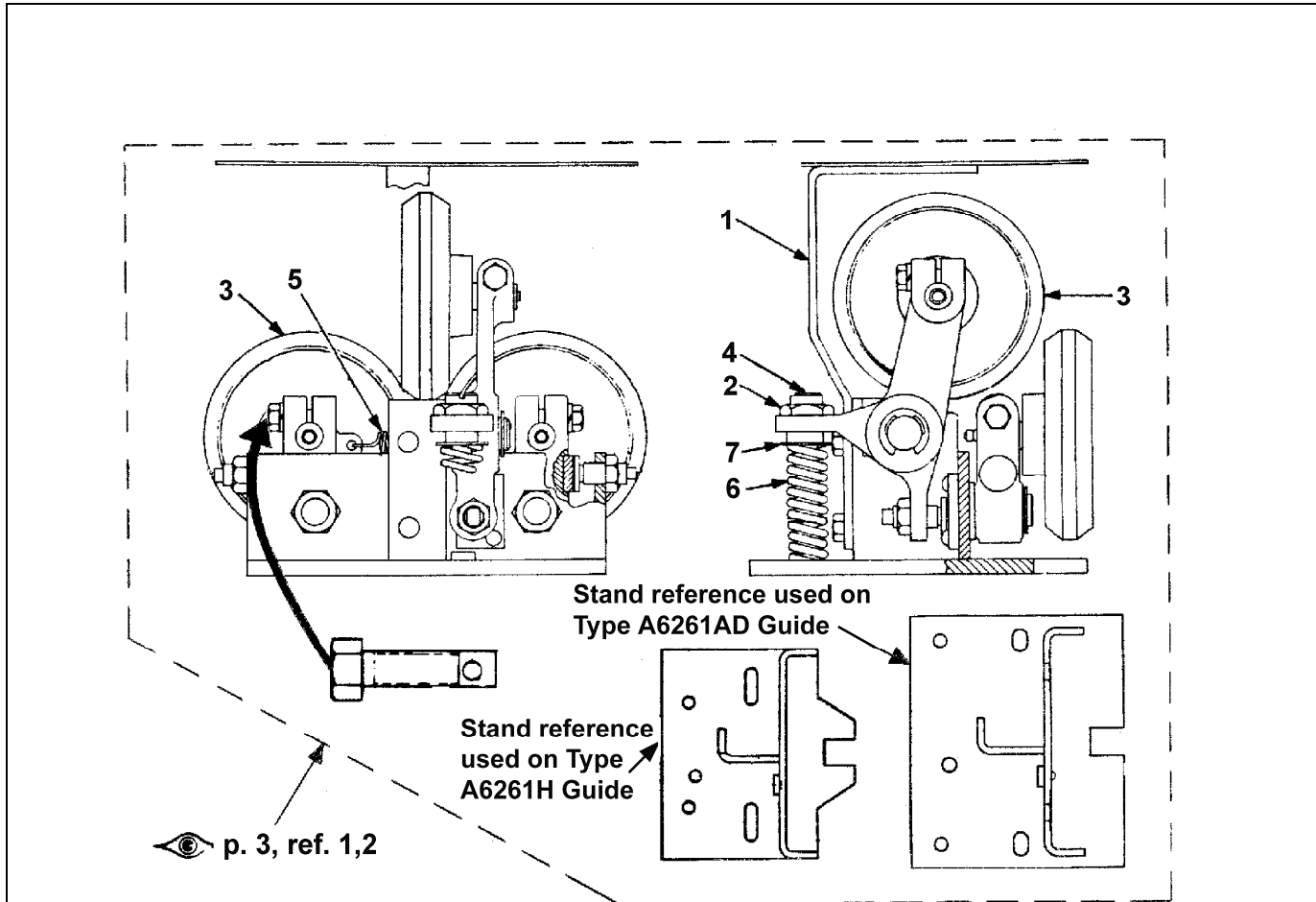
6261 H/AD/AN  
A6261AD W/O VINTAGE  
PRIOR to OCT. 1995 PROD

REF. No.	PART No.	DESCRIPTION
*1	---	Bushing for Levers. For servicing bushing, choose appropriate lever arm w/preinstalled bushing.  TIP 18.1-5.
2	A288LJ2 B288LJ3	Lever, w/Bumper, Bushing, & Metric Bolt
3	A395D2	Lever, w/Bushing
4	A77TN1	Pin
5	172DR3	Ring, Retaining
6	477EA1	Stop, 1-1/2 in. L, 1/2-13 Thread

\* General location. Part not illustrated.

**NOTE:** See TIP 18.1-9 for roller guide rebuild kits.

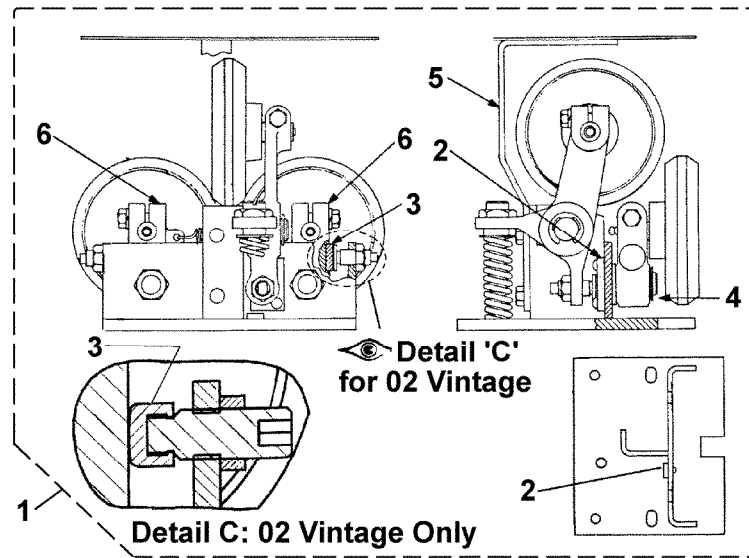
(Continued on next page)



6261 H/AD/AN  
A6261AD W/O VINTAGE  
PRIOR to OCT. 1995 PROD

REF. No.	PART No.	DESCRIPTION
1	A384LK1 B384LK2	Guard
2	67E14	Nut
3	456CM4	Roller, w/Sealed Bearing
4	124CA1	Screw, Spring Adjusting
5	91B18	Spring, 5/8 in. $\odot$ , 2-9/16 in. L, 21 Active Turns
6	90HC4	Spring, 21/32 in. $\odot$ , 3 in. L, 21 Active Turns
7	127VB31	Washer, Seat, 17/32 in. $\odot$ , 1-1/4 in. $\odot$ , 1/16 in. W

**NOTE:** See TIP 18.1-9 for roller guide rebuild kits.

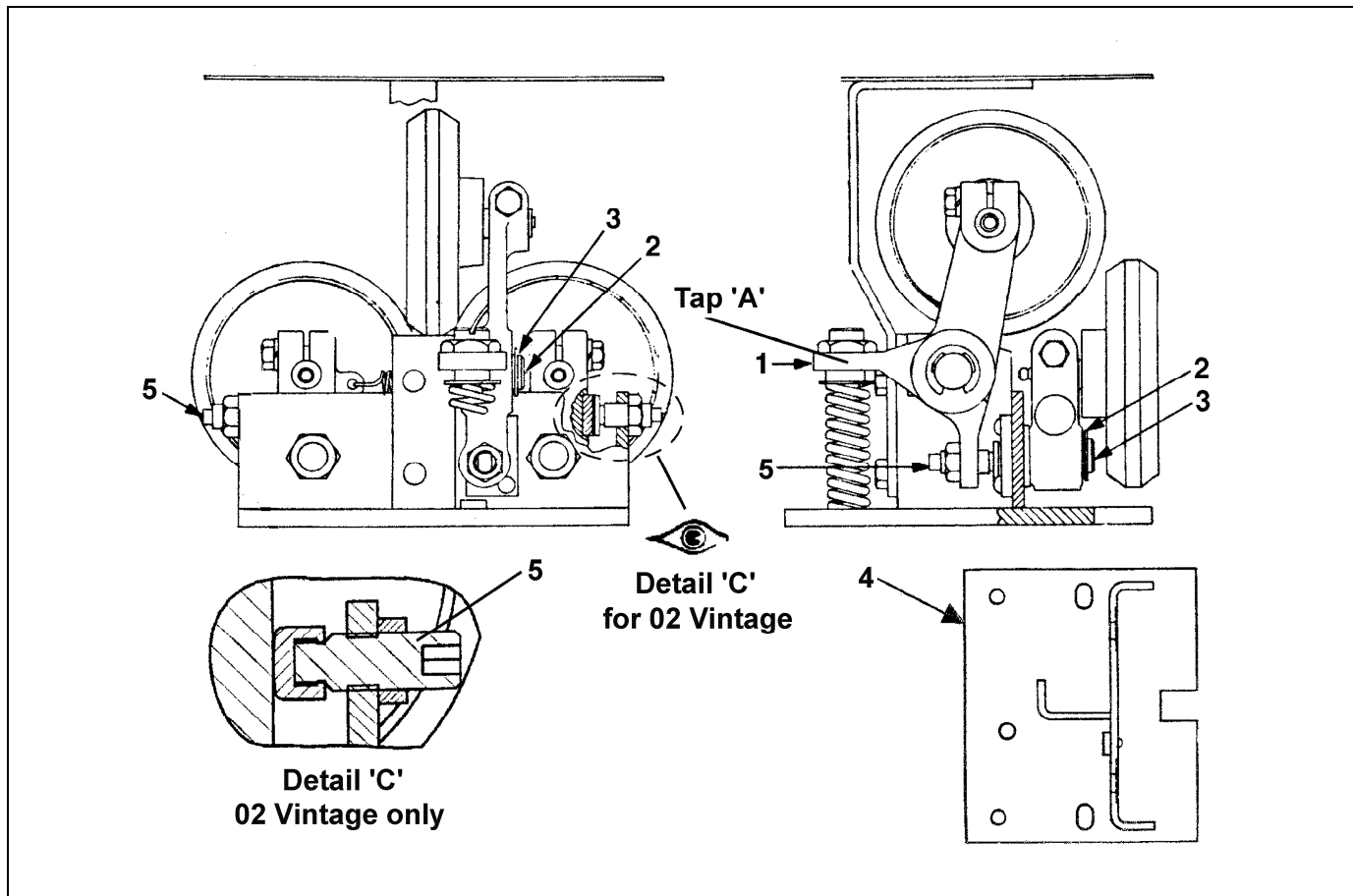


A6261AD			
01 VINTAGE POST-OCT. 1995 PROD.		02 VINTAGE POST-FEB. 1999 PROD.	
REF. No.	PART No.		DESCRIPTION
1	A6261AD2		Assembly, Complete Top Roller Guide, 9.8 in. Baseplate, w/Guard
	A6261AD1		Assembly, Complete Bottom Roller Guide, 9.8 in. Baseplate, w/o Guard
2	320DA1	---	Bumper, Rubber Button 7/8 in. L x 45/64 in. W
3	320BM1	---	Bumper, 3/4 in.  x 1/4 in. W, Leather (for B288LJ2 lever only)
	---	AAA329BU1	Bumper, Stop, 5/8 in. dia.
*4	---		Bushing for Levers. For servicing bushing, choose appropriate lever arm w/preinstalled bushing. TIP 18.1-5.
5	B384LK2		Guard
6	B288LJ2	---	Lever, w/Bumper & Bushing
	---	B288LJ5	Lever, w/Bushing (w/o rubber bumper)

\* General location. Part not illustrated.

**NOTE:** See TIP 18.1-9 for roller guide rebuild kits.

**(Continued on next page)**

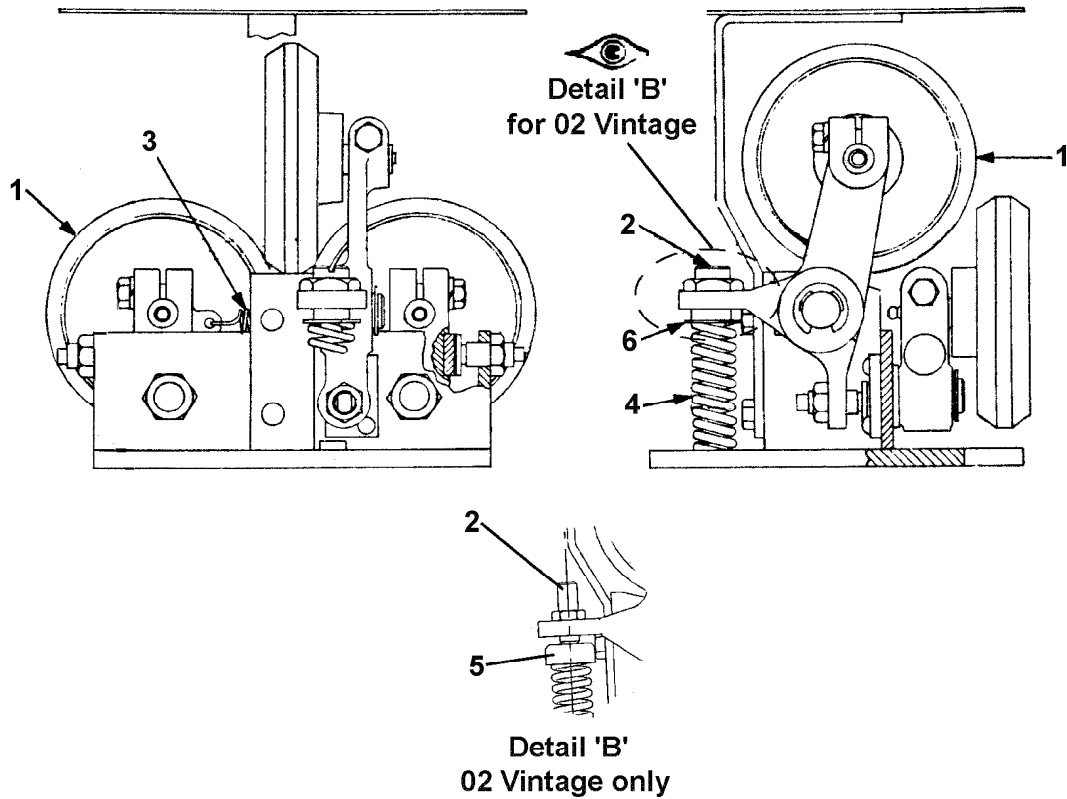


A6261AD			
	01 VINTAGE POST-OCT. 1995 PROD.	02 VINTAGE POST-FEB. 1999 PROD.	
REF. No.	PART No.		DESCRIPTION
1	B395D2	---	Lever, w/Bushing, TAP 'A' = M20
	---	B395D4	Lever, w/Bushing, TAP 'A' = M12
2	B77TN1		Pin
3	172DR15		Ring, Retaining
4	*		Stand
5	A477EA1	---	Stop, Metric Thread
	---	---	Screw, M12 Set

\* Part shown for reference only

**NOTE:** See TIP 18.1-9 for roller guide rebuild kits.

(Continued on next page)



A6261AD			
	01 VINTAGE POST-OCT. 1995 PROD.	02 VINTAGE POST-FEB. 1999 PROD.	
REF. No.	PART No.		DESCRIPTION
1	456CM4		Roller, w/Sealed Bearing
2	A124CA1	---	Screw, Spring Adjusting, Metric
	---	---	Screw, M12 Set
3	91B18		Spring, 5/8 in. $\odot$ , 2-9/16 in. L, 21 Active Turns
4	90HC4		Spring, 21/32 in. $\odot$ , 3 in. L, 21 Active Turns
5	AAA444DD1		Washer, Cup
6	AAA127CC1		Washer, Seat

**NOTE:** See TIP 18.1-9 for roller guide rebuild kits.