

3" Roller Guide
Assemblies

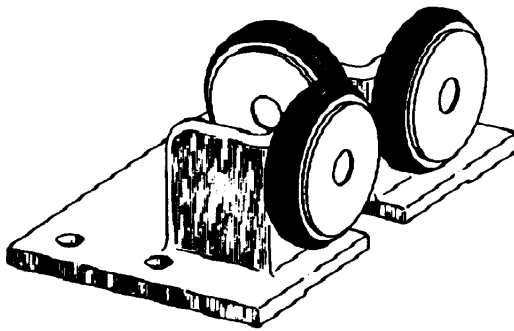
Spare Parts Leaflet

14-6261AA

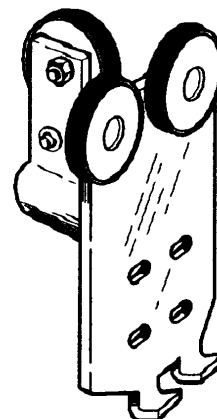
March 1999 / Page 1 of 4

OBSOLESCENCE NOTICE

The product covered in this SPL has been designated as obsolete and is no longer supported. See TIP 32.2-1, *Obsolete Components*, for potential upgrade. Replacement lower level parts listed within and unique to this design are not being restocked when depleted. Some of these parts, depending on availability and other factors, may be quoted through Customer Service, but most will have extended lead times and increased cost due to low volume production.



Type 6261AA Roller Guide



Type 6261AB Roller Guide

OTIS

Safety First!

SERVICE ENGINEERING

Otis Elevator Company
Bloomfield, Connecticut USA

History
14-6261AA
First Published: February 1988

<h2>3" Roller Guide Assemblies</h2>

REVISED DATE	RESPONSIBLE ENGINEER	PRIMARY REASON FOR REVISION
March 1999	Duane Stupienski	Create new SPL.

Leaflet Description

Create a new leaflet for 6261AA and 6261AB roller guide assemblies.

RELATED LEAFLET NUMBERS	TITLES
C-3033	Sliding Guides, Lubricators

DRAWING REFERENCES

RELATED DOCUMENT NUMBERS	TITLES

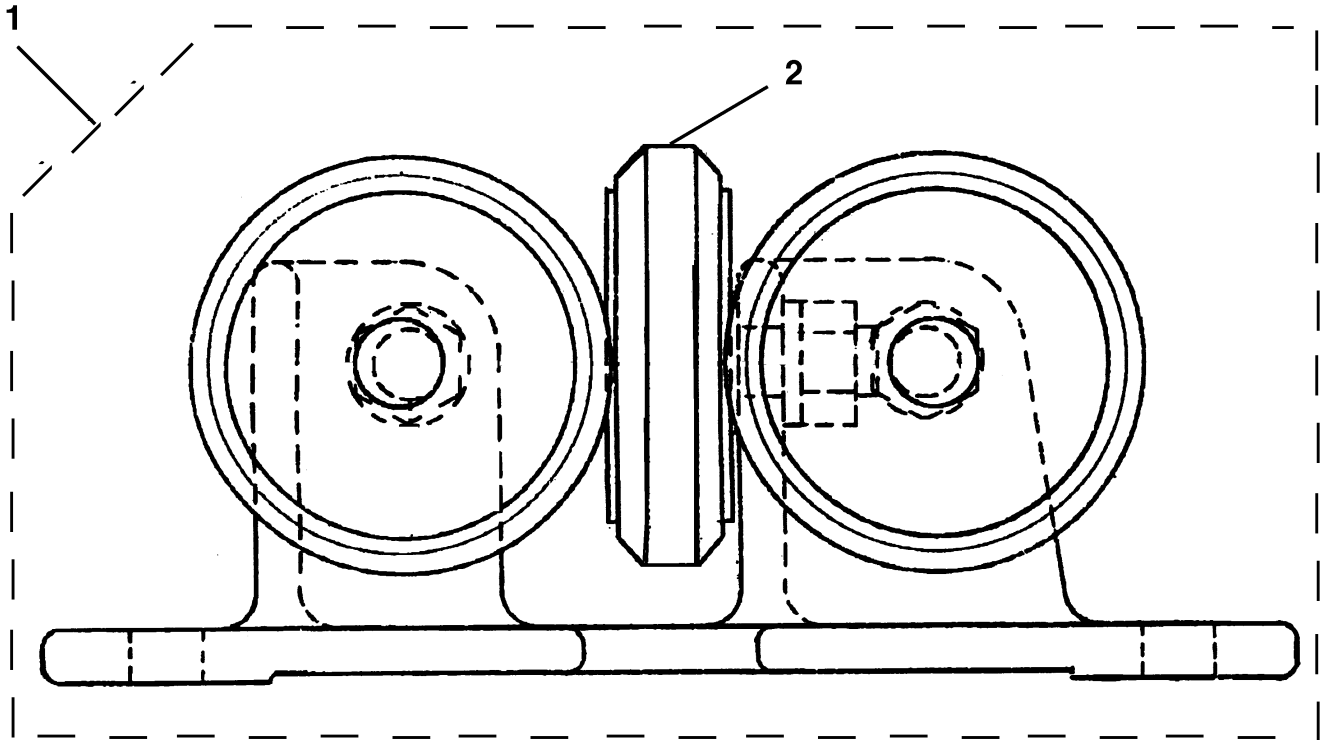
This Spare Parts Leaflet (SPL) is prepared to assist you in determining the Lowest Replaceable Units (LRU) supported by the Otis Service Center for the standard version of the product titled on the preceding page. The parts are chosen by Otis associates from: Engineering, Field Engineering, Service Engineering, and Manufacturing. We attempt to make part identification as easy as possible. The SPL, however, cannot be all inclusive. Elevator and escalator contracts classified as either "special" or "custom" are not addressed. Alternative sources of information such as: the Contract Folder, Technical Information Publications, Field Education Articles, Construction Letters, etc. may give the information you are after. You live in the real world of maintaining your elevator and escalator contracts. On a daily basis, situations arise regarding parts identification and at times, for some reason, the part you need is not in the SPL. If you think a standard part not listed should be—let us know. We will respond.

--

Duane Stupienski-Service Engineering

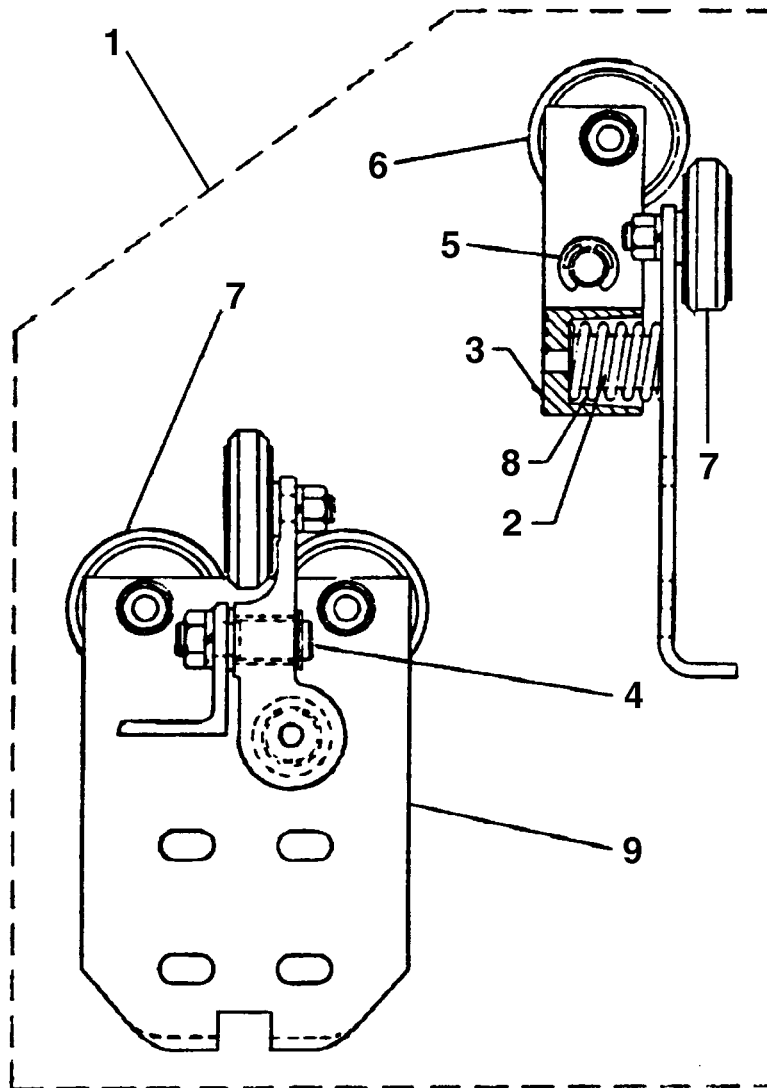
Type 6261AA Roller Guide Assembly

14-6261AA



REF. NO.	W/O VINTAGE	
	PART or ML	DESCRIPTION
1	6261AA1	Assembly, 3 in. Roller Guide, Complete
2	456DN1	Roller

Type 6261AB Roller Guide Assembly



REF. NO.	W/O VINTAGE PART or ML	DESCRIPTION
1	6261AB1	Assembly, 3 in. Roller Guide, Complete
2	320CK1	Bumper, Rubber, 1.75 in. L
3	288NY2	Lever
4	A77TN1	Pin, Shouldered, 2.5 in. L, 5/8-11 Thread
5	172DR3	Ring, Retaining
6	456DN2	Roller, Postwise (W→ 77XL2 Stud, 2.10 in. L)
7	456DN1	Roller, Side (W→ 77XL1 Stud, 1.795 in. L)
8	90CM1	Spring, Compression, 1.32 in. Coiled Length
9	471EK1	Stand