

3" Round Rail Roller Guide

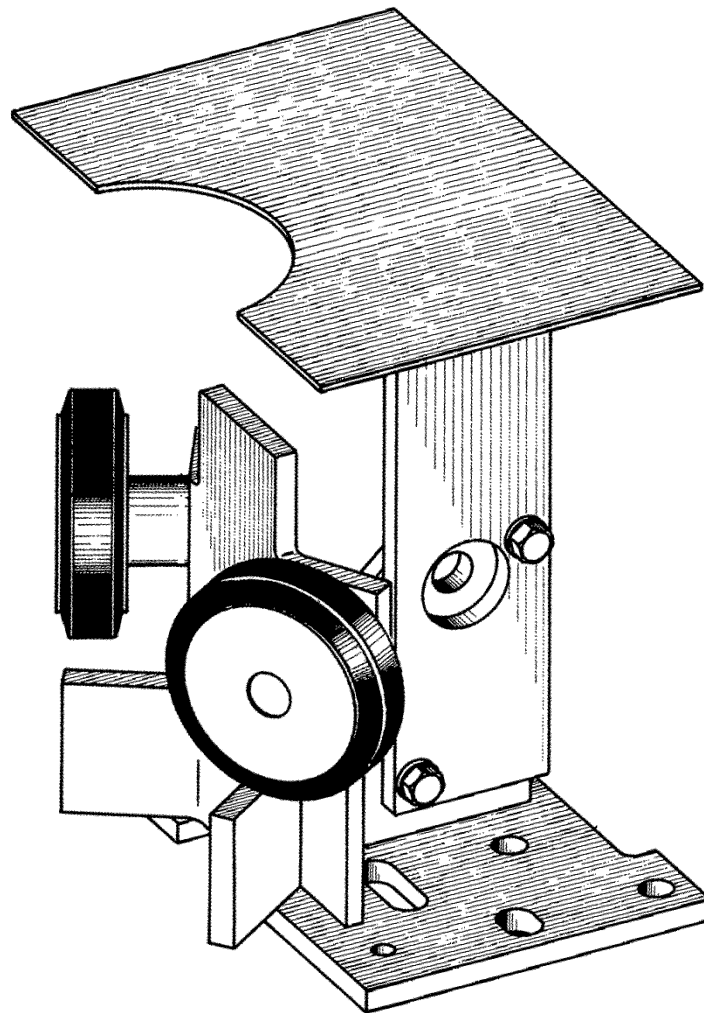
Spare Parts Leaflet

14-6161AA

March 1999 / Page 1 of 3

Supersedes (in part) C-3033 Dated: February 1988

W/O VINTAGE



Unpublished Work—© Otis Elevator
Co.; 1999

OTIS

Safety First!

SERVICE ENGINEERING

Otis Elevator Company
Bloomfield, Connecticut USA

History

14-6161AA

First Published: February 1988

3" Round Rail Roller Guide

REVISED DATE	RESPONSIBLE ENGINEER	PRIMARY REASON FOR REVISION
March 1999	Duane Stupienski	Create new SPL.

Leaflet Description

Create a separate leaflet for 6161AA roller guide assembly. Remove from C-3033.

RELATED LEAFLET NUMBERS	TITLES
C-3033	Sliding Guides, Lubricators

DRAWING REFERENCES

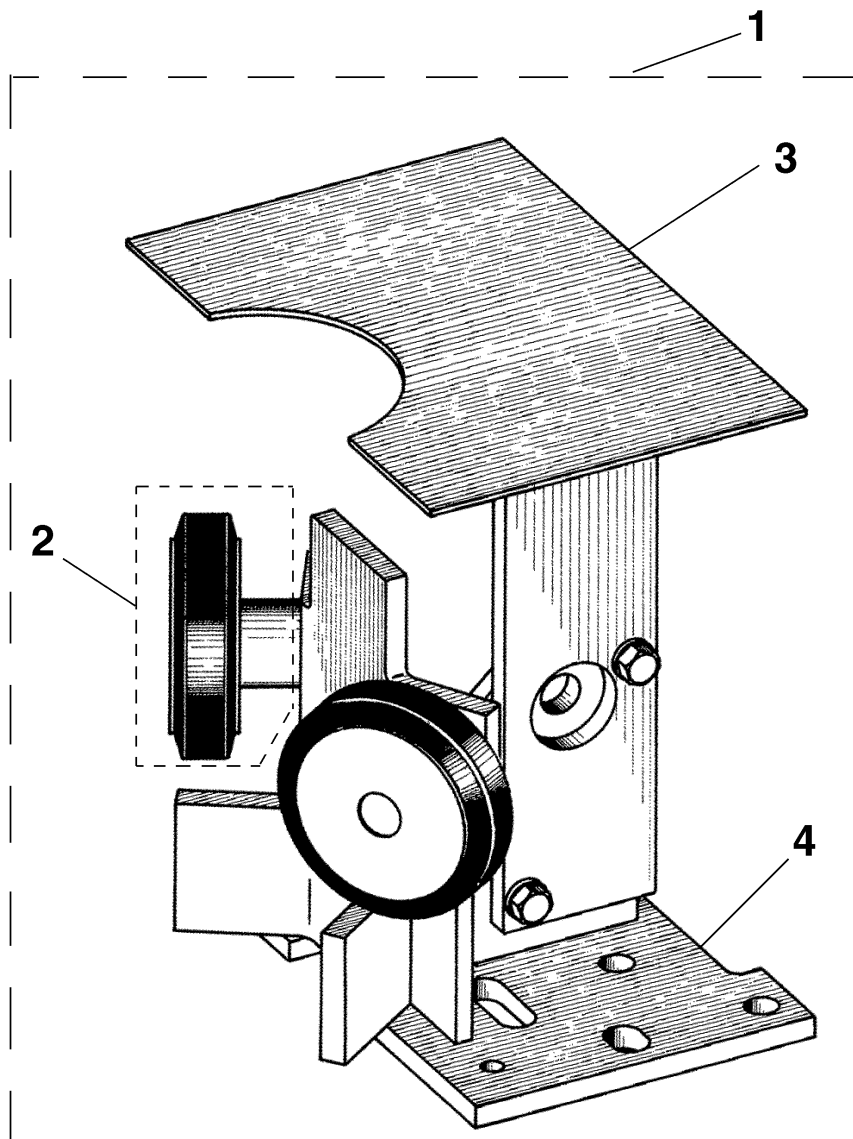
RELATED DOCUMENT NUMBERS	TITLES

This Spare Parts Leaflet (SPL) is prepared to assist you in determining the Lowest Replaceable Units (LRU) supported by the Otis Service Center for the standard version of the product titled on the preceding page. The parts are chosen by Otis associates from: Engineering, Field Engineering, Service Engineering, and Manufacturing. We attempt to make part identification as easy as possible. The SPL, however, cannot be all inclusive. Elevator and escalator contracts classified as either "special" or "custom" are not addressed. Alternative sources of information such as: the Contract Folder, Technical Information Publications, Field Education Articles, Construction Letters, etc. may give the information you are after. You live in the real world of maintaining your elevator and escalator contracts. On a daily basis, situations arise regarding parts identification and at times, for some reason, the part you need is not in the SPL. If you think a standard part not listed should be—let us know. We will respond.

Duane Stupienski-Service Engineering

Type 6161AA Roller Guide Assembly

14-6161AA



REF. NO.	W/O VINTAGE PART or ML	DESCRIPTION
1	6161AA1	Assembly, 3 in. Roller Guide, Complete
2	456DN3	Assembly, Roller
3	384LN2	Guard
4	471FP1	Stand