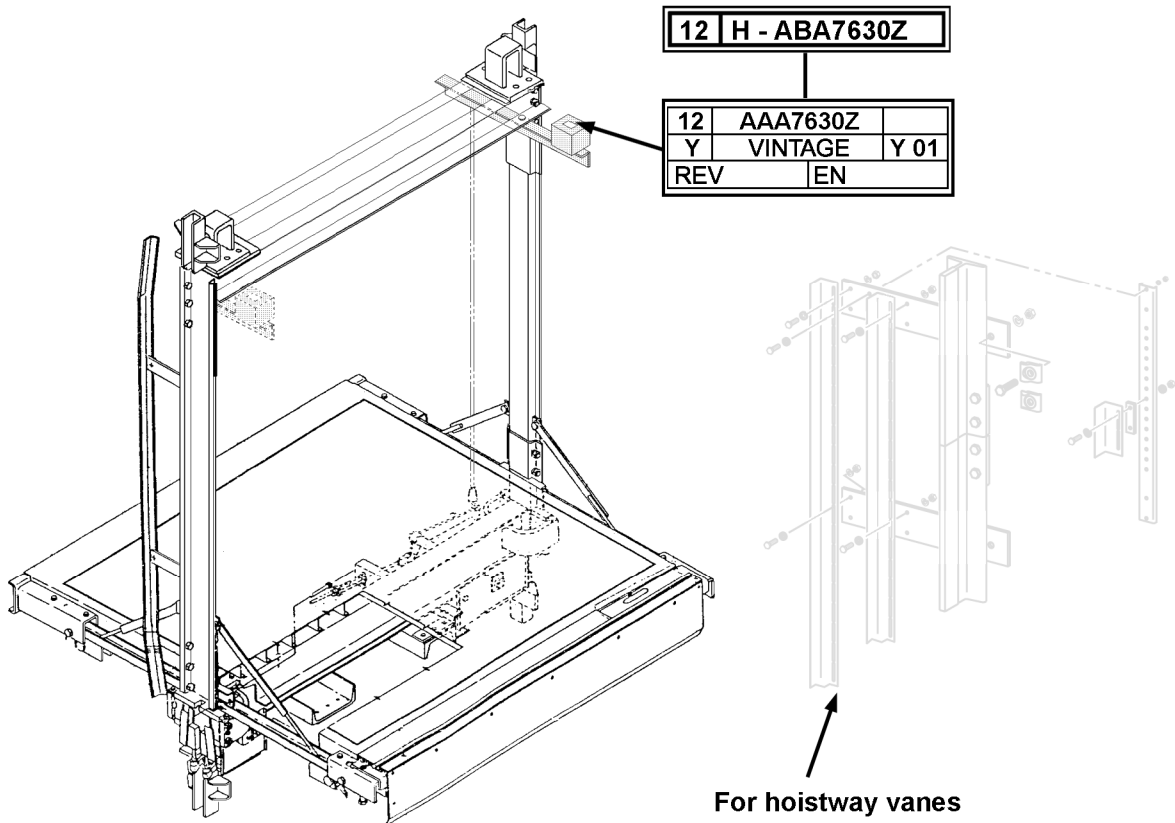


Position Transducer Device

Spare Parts Leaflet

12-AAA7630Z

March 24, 2010 / Page 1 of 3



OTIS

Safety First!

SERVICE ENGINEERING
Otis Elevator Company
Bloomfield, Connecticut USA

Leaflet Description

This leaflet provides spare parts information for type ABA7630Z position transducer device.

Leaflet Revisions

Date Revised	Subject Matter Expert	Reason for Revision
June 1994	---	New SPL
January 1997	---	Update parts
May 1, 2000	Ali Bozorgzadeh	Update parts and artwork
July 7, 2003	John Dwyer	Update parts and artwork
March 24, 2010	Bob Hazlewood	Update <i>Related Drawings</i> section for drawing AAA22439V

Related Drawings

Drawing No.	Title	Drawing No.	Title
ABA7630Z	Assembly Position Transducer Device	AAA7630AA	Arrangement Position Transducer Device (roped traction pluggable application)
AAA27076AU	Not Released (6/9/03)	AAA21303BX	Terminal Block
AAA22439U	Position Transducer Arrangement Gen2 LD	AAA22439V	Position Transducer Arrangement Gen2 ED and Gen2-L @350 fpm

Related Documents

Document ID	Title
SPL 12-AAA7630Y	Position Transducer Vanes

Subject Matter Expert

Name	Department
Sohaib Shaikh	OSC Electrical Engineering

About Spare Parts Leaflets...

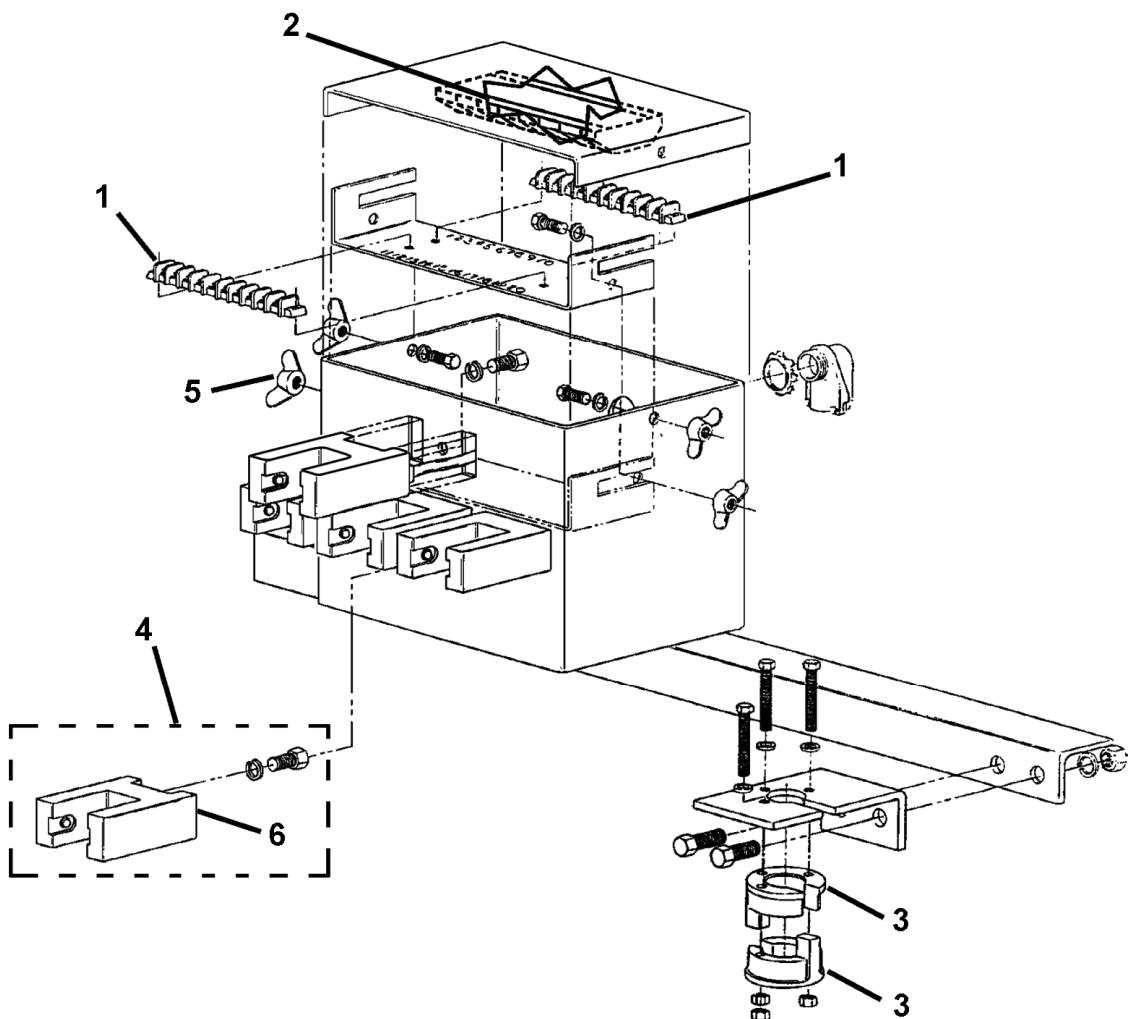
This document lists the lowest replaceable units (LRUs) for the standard version of the product. The LRUs are chosen by a team of Otis associates representing engineering and manufacturing.

While goal of this document is to make parts identification as easy as possible, the document cannot be all-inclusive. Elevator and escalator contracts classified as "special" or "custom" are not addressed here. For such contracts, please refer to specified information, the contract folder, TIPs, Field Education Articles, Construction Letters, etc. for further information.

If you have any suggestions about this document, please contact the subject matter expert listed on this page.

Position Transducer Device Components

12-AAA7630Z



REF. No.	AAA7630Z	ABA7630Z	DESCRIPTION
	PART No.		
1	P303CG3	---	Block, Terminal
2	---	AAA303EP10	Block, Terminal, 2 Entry, Gray
		AAA303EP12	Block, Terminal, 4 Entry, Blue
		AAA303EP143	Block, Terminal, 4 Entry, Orange
3	385JW1		Guide
4	2700CAE1 → AAA27076AU2		Kit, Switch + Screw and Washer
5	72FD4		Nut, Wing
6	JO629W1 JO629W3 AAA27076AU1	AAA629AG5	Switch