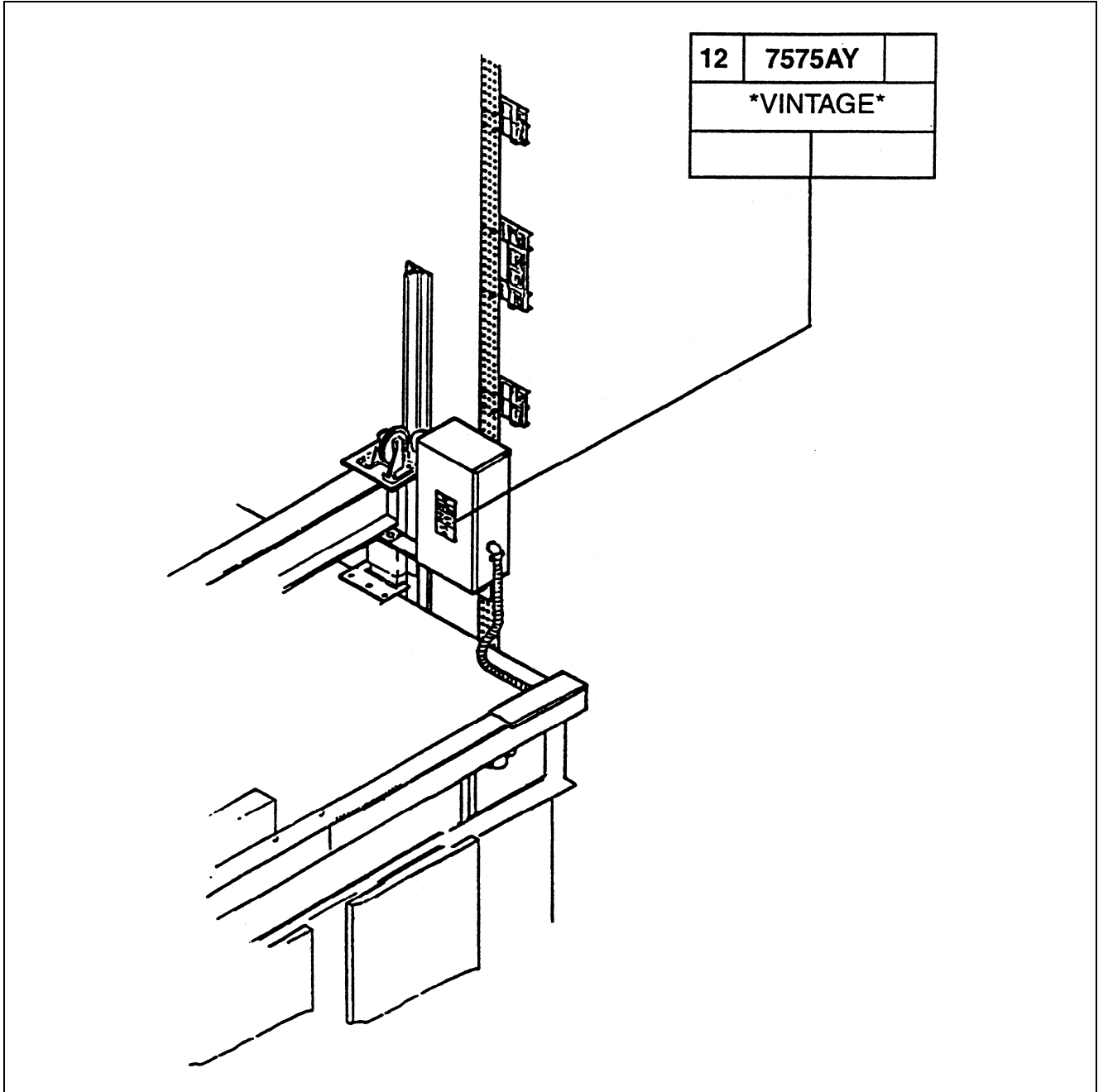


MRS/MRVF Hoistway  
Reader Box

Spare Parts Leaflet

12-7575AY

October 9, 2019 / Page 1 of 4



**OTIS**

This document does not contain any  
technical data subject to EAR or ITAR

SERVICE ENGINEERING  
Otis Elevator Company  
Bloomfield, Connecticut USA

Unpublished Work—© Otis Elevator Co.; 2019

## Leaflet Description

This leaflet provides spare parts information on hoistway reader box used on MRS and MRVF.

### Leaflet Revisions

Date Revised	Subject Matter Expert	Reason for Revision
June 1997	---	New SPL
January 10, 2007	John Dwyer	Added a cross-reference note to illustration on page 4.
October 9, 2019	Gary Mendrala	Updated part numbers

### Related Drawings

Drawing No.	Title	Drawing No.	Title
7575AY	Hoistway Reader Box, MRS	7575AX	Hoistway Reader Box, MRVF
---	---	---	---

### Related Documents

Document ID	Title
SPL C-3053A	A7137F Position Reader, 7575Y Position Reader, 7003AN Car Junction Box
---	---

### Subject Matter Expert

Name	Department
Gary Mendrala	OSC Service Engineering

### About Spare Parts Leaflets...

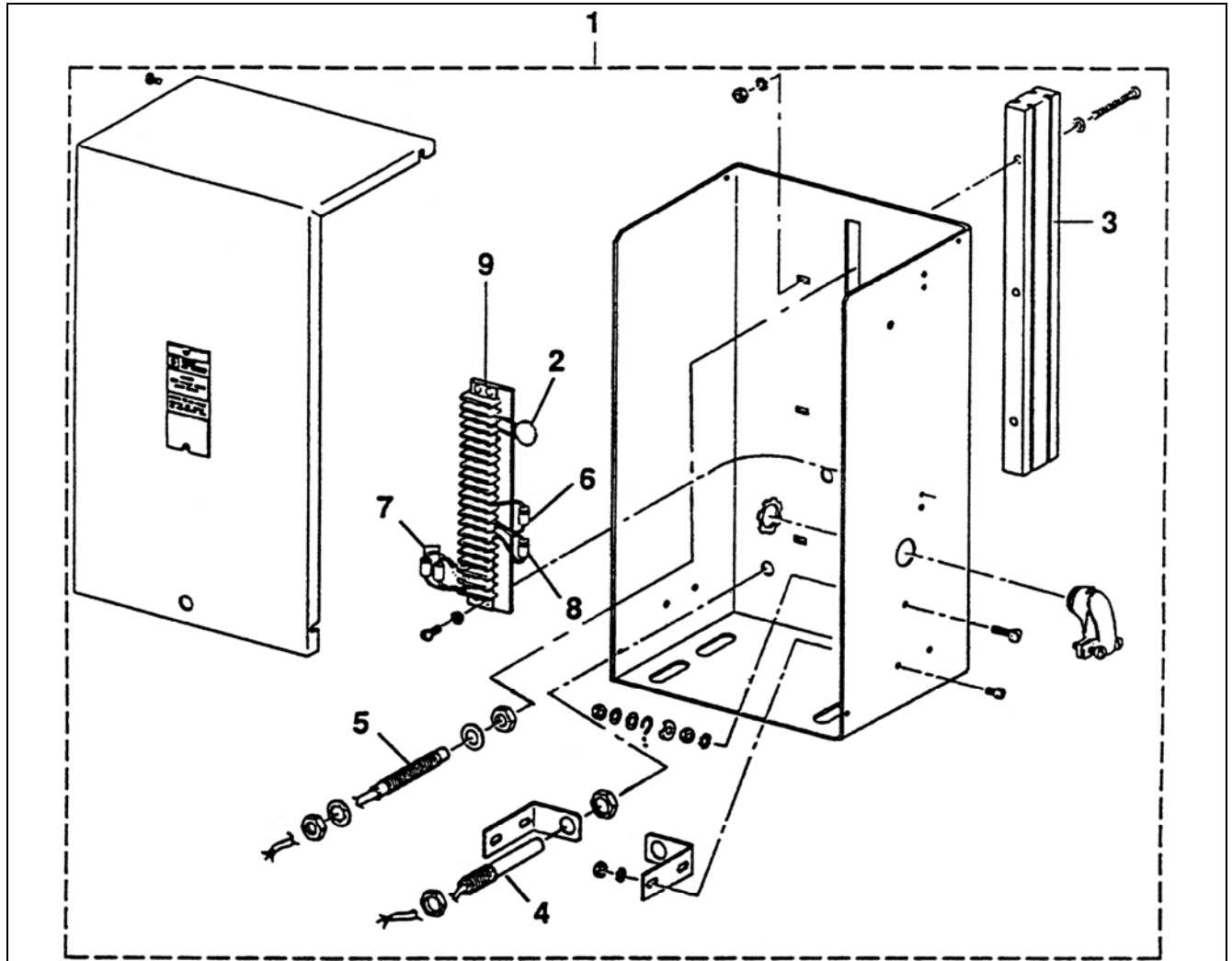
This document lists the lowest replaceable units (LRUs) for the standard version of the product. The LRUs are chosen by a team of Otis associates representing engineering and manufacturing.

While goal of this document is to make parts identification as easy as possible, the document cannot be all-inclusive. Elevator and escalator contracts classified as "special" or "custom" are not addressed here. For such contracts, please refer to specified information, the contract folder, TIPS, Field Education Articles, Construction Letters, etc. for further information.

If you have any suggestions about this document, please contact the subject matter expert listed on this page.

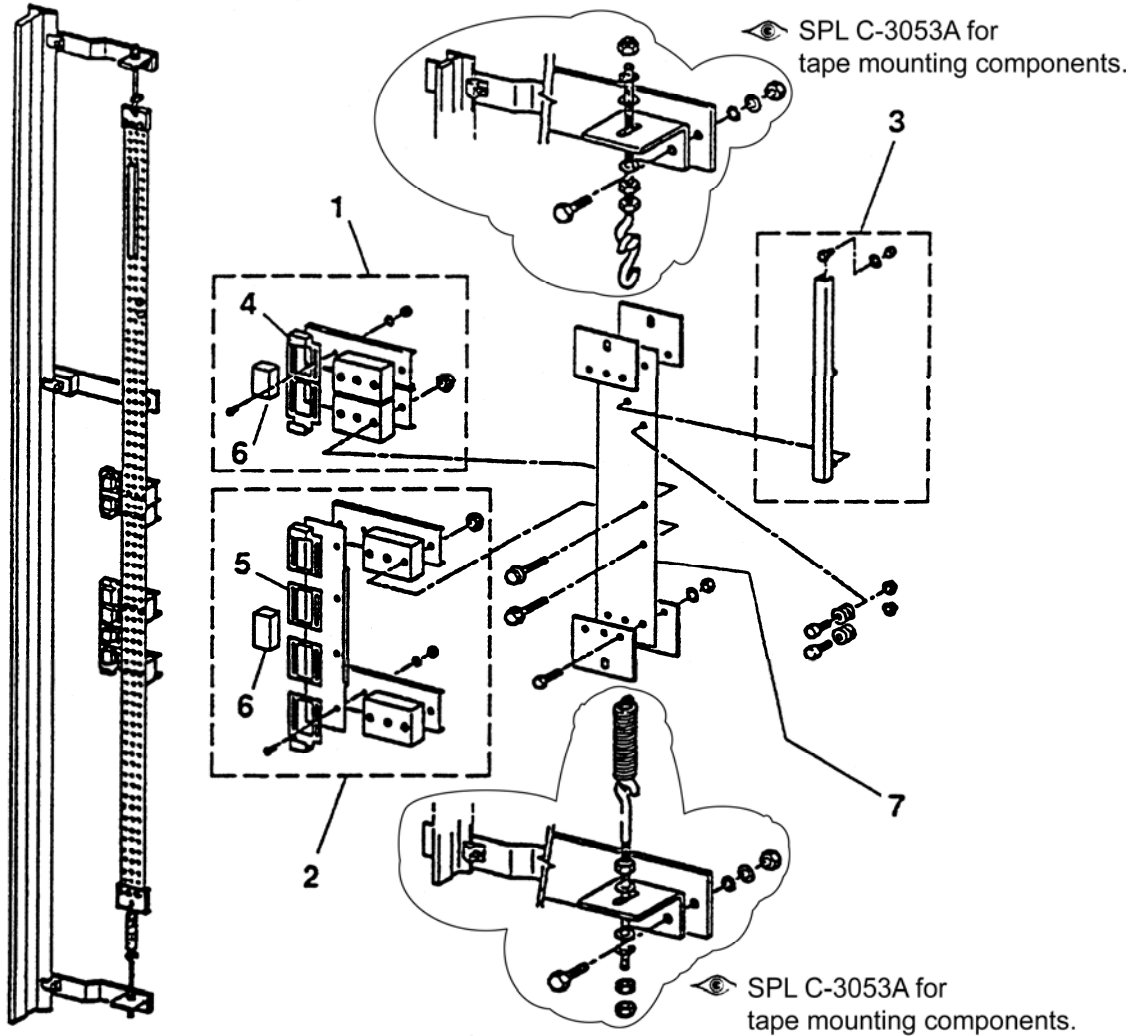
# Hoistway Reader Box Assembly

12-7575AY






W/O VINTAGE &  
VINTAGE Y 01

REF. No.	PART No.	DESCRIPTION
1	7575AY2 (MRS)	Assembly, Hoistway Reader Box
	7575AX2 (MRVF)	
2	P226FB1	Capacitor (C1)
3	385PD1	Guide
4	FO177BP4 FAA177DC1	Proximity Switch (ALS, ELS)
5	177CV1	Proximity Switch (US, UL, DZ, DS, DL on MRS); (US, UL, D1Z, D2Z, DS, DL on MRVF)
6	230BD4	Rectifier (CR1)
7	P232G33 AAA232HR50	Resistor, 1 W, 4.7 K (R1, R2)
8	605R3 AAA605AD14	Suppressor (Z1)
9	P303CG1	Terminal Block)



W/O VINTAGE &  
VINTAGE Y 01

REF. No.	PART No.	DESCRIPTION
1	7137T1	Assembly, Stopping Magnets, SES
2	7137T2	Assembly, Floor Level Magnets, SES
3	2700CBH1	Kit, 8 in. Vane and  (MRVF)
	2700CBH2	Kit, 10 in. Vane and  (MRS)
	2700CBH3	Kit, 12 in. Vane and  (MRVF and MRS)
4	FO396AS1	Holder
5	FO396AT1	Holder
6	FO233B1	Magnet
7	297T4	Tape, Stainless Steel (order by foot)
	297T2	