

SKYWAY (A04A)

OVF460

SINGLE DRIVE

(JPN, CEN, CSA)

Spare Parts Leaflet

10-JAA21310AAL

Oct. 25, 2019 / Page 1 of 53

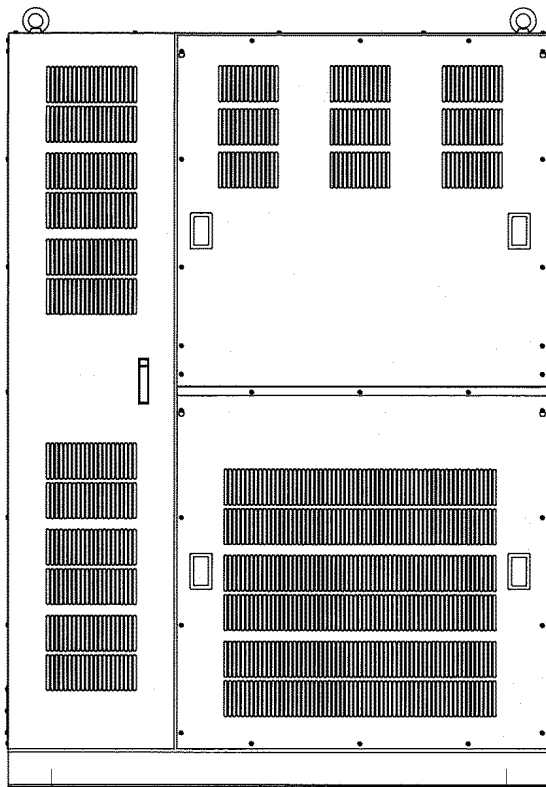
Supersedes SPL 10-JAA21310AAL Nov. 5, 2007

APPLICABLE FOR JAA VERSION.

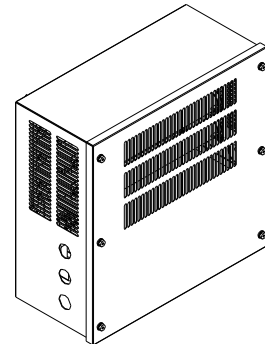
(JBA VERSION:  JBA21310AAL_SPL)

(JCA, JDA, JEA VERSION:  JEA21310AAL_SPL)

< OVF 460 DRIVE ASS'Y >



< MOTOR FILTER BOX >



Unpublished Work—© Otis Elevator Co.

OTIS


Safety First!

SERVICE ENGINEERING

**Otis Elevator Company
Shibayama Factory, Japan**

History
10-JAA21310AAL
First Published: Nov. 2007

SKYWAY (A04A)
OVF460
SINGLE DRIVE
(JPN, CEN, CSA)

REVISED DATE	AUTHOR	PRIMARY REASON FOR REVISION
Nov. 5, 2007	Yamaoka, Takayuki	New SPL
April 5, 2010	Yamaoka, Takayuki	Up Date : Revised Edition. Added Tandem Drive.
Jan. 15, 2016	Yamaoka, Takayuki	ADDED NOTE JBA VERSION :  JBA21310AAL_ACB_SPL
June 23, 2016	Yamaoka, Takayuki	Changed pilot light. See p17, p27, p38. Changed fan. See p16, p26, p37.
Nov. 1, 2016	Yamaoka, Takayuki	Added LVIB/Processor Board Replacing kit. See p16, 26, 37, 52, 53 Deleted fuse (JAA375CF4). See p.17, 27,38
Oct. 25, 2019	Ueno, kiyotaka	Changed IGBT See p.10, 16, 17, 20, 26, 17, 31, 37, 38 Changed LVIB2, JAA226ALJ1⇒JAA226ALJ2 See p.16, 17, 26, 27, 37, 38, 53 Changed selection table p.40~42

Leaflet Description

This leaflet provides spare parts information for OVF460 SINGLE DRIVE.

RELATED LEAFLET NUMBERS	TITLES
---	---

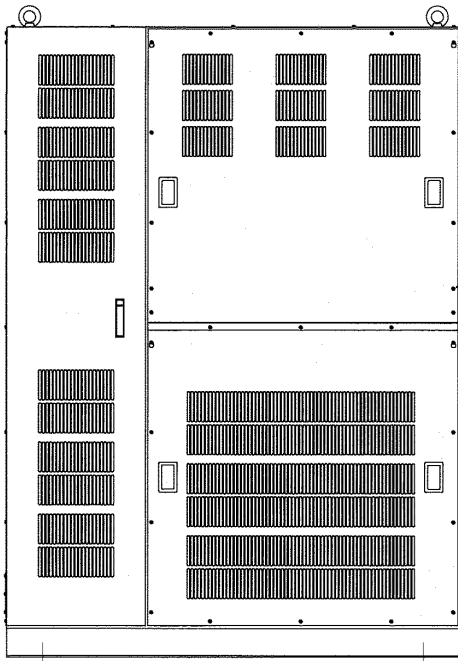
DRAWING REFERENCES		
JAA21310AAL	JBA21310AAN	JCA21310AAR
JBA21310AAP	JCA21310AAS	JAA21310ABD
JAA21350AAZ	JAA JCA27078CZA	JCA JDA27078CTN

RELATED DOCUMENT NUMBERS	TITLES


This Spare Parts Leaflet (SPL) is prepared to assist you in determining the Lowest Replaceable Units (LRU) supported by the Otis Service Center for the standard version of the product titled on the preceding page. The parts are chosen by Otis associates from: Engineering, Field Engineering, Service Engineering, and Manufacturing. We attempt to make part identification as easy as possible. The SPL, however, cannot be all inclusive. Elevator and escalator contracts classified as either "special" or "custom" are not addressed. Alternative sources of information such as: the Contract Folder, Technical Information Publications, Field Education Articles, Construction Letters, etc. may give the information you are after. You live in the real world of maintaining your elevator and escalator contracts. On a daily basis, situations arise regarding parts identification and at times, for some reason, the part you need is not in the SPL. If you think a standard part not listed should be—let us know. We will respond.

OVF460 DRIVE

10-JAA21310AAL



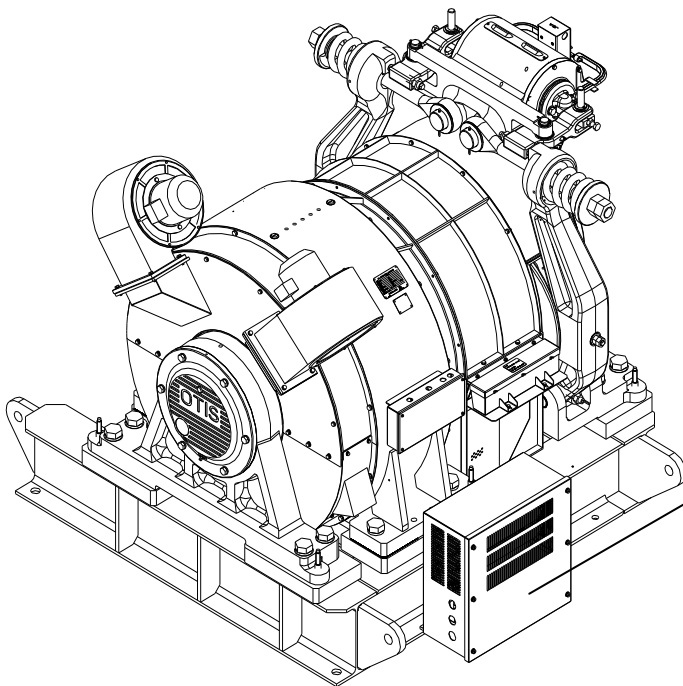
OVF 460 DRIVE ASS'Y

<VERSION>  PAGE

JPN ————— P.9 ~ 18, 40 ~ 41


CEN ————— P.19 ~ 29, 40 ~ 41

CSA ————— P.30 ~ 39, 42 ~ 43



MOTOR FILTER BOX

• SINGLE DRIVE

 PAGE 29 44, 46 ~ 49

• TANDEM DRIVE

 PAGE 45, 50 ~ 51

10-JAA21310AAL**OVF460 SINGLE DRIVE
(40T MACHINE)****ARRANGEMENT**

ASSEMBLY NO.	APPLICATION	LINE VOLTAGE	FREQUENCY	DESCRIPTION
40T MACHINE				
JAA21310AAL1	JPN	$380V \leq LV < 400V$	50Hz / 60Hz	E82G "D"
JAA21310AAL2		$400V \leq LV < 480V$		
JAA21310AAL3		480V		
JAA21310AAL4	JPN	$380V \leq LV < 400V$	50Hz / 60Hz	UT – BLUE
JAA21310AAL5		$400V \leq LV < 480V$		
JAA21310AAL6		480V		
JAA21310AAL7	CEN	$380V \leq LV < 400V$	50Hz / 60Hz	CAPRI – BLUE W / LEATHER TOUCH
JAA21310AAL8		$400V \leq LV < 480V$		
JAA21310AAL9		480V		
JAA21310AAL10	CEN	$380V \leq LV < 400V$	50Hz / 60Hz	UT – BLUE
JAA21310AAL11		$400V \leq LV < 480V$		
JAA21310AAL12		480V		
JAA21310AAL13	CSA	480V	60Hz	UT – BLUE
JAA21310AAL14			50Hz	

OVF460 SINGLE DRIVE (70T MACHINE)

10-JAA21310AAL

ARRANGEMENT

ASSEMBLY NO. 70T MACHINE	APPLICATION	LINE VOLTAGE	FREQUENCY	DESCRIPTION
JAA21310AAL101	JPN	$380V \leq LV < 400V$	50Hz / 60Hz	E82G "D"
JAA21310AAL102		$400V \leq LV < 440V$	50Hz	
JAA21310AAL131		$400V \leq LV < 440V$	60Hz	
JAA21310AAL103		$440V \leq LV < 480V$	50Hz / 60Hz	
JAA21310AAL104		480V	50Hz / 60Hz	
JAA21310AAL105	JPN	$380V \leq LV < 400V$	50Hz / 60Hz	UT – BLUE
JAA21310AAL106		$400V \leq LV < 440V$	50Hz	
JAA21310AAL132		$400V \leq LV < 440V$	60Hz	
JAA21310AAL107		$440V \leq LV < 480V$	50Hz / 60Hz	
JAA21310AAL108		480V	50Hz / 60Hz	
JAA21310AAL109	CEN	$380V \leq LV < 400V$	50Hz / 60Hz	CAPRI – BLUE W / LEATHER TOUCH
JAA21310AAL110		$400V \leq LV < 440V$	50Hz	
JAA21310AAL111		$400V \leq LV < 440V$	60Hz	
JAA21310AAL133		$440V \leq LV < 480V$	50Hz / 60Hz	
JAA21310AAL112		480V	50Hz / 60Hz	
JAA21310AAL113	CSA	480V	60Hz	UT – BLUE

10-JAA21310AAL**OVF460 SINGLE DRIVE
(100T MACHINE)****ARRANGEMENT**

ASSEMBLY NO.	APPLICATION	LINE VOLTAGE	FREQUENCY	DESCRIPTION
100T MACHINE				
JAA21310AAL201	JPN	$380V \leq LV < 400V$	50Hz / 60Hz	E82G "D"
JAA21310AAL202		$400V \leq LV < 480V$	50Hz / 60Hz	
JAA21310AAL203		480V	60Hz	
JAA21310AAL231		480V	50Hz	
JAA21310AAL204	JPN	$380V \leq LV < 400V$	50Hz / 60Hz	UT – BLUE
JAA21310AAL205		$400V \leq LV < 480V$	50Hz / 60Hz	
JAA21310AAL206		480V	60Hz	
JAA21310AAL232		480V	50Hz	
JAA21310AAL207	CEN	$380V \leq LV < 400V$	50Hz / 60Hz	CAPRI – BLUE W / LEATHER TOUCH
JAA21310AAL208		$400V \leq LV < 480V$	50Hz / 60Hz	
JAA21310AAL209		480V	60Hz	
JAA21310AAL233		480V	50Hz	
JAA21310AAL210	CEN	$380V \leq LV < 400V$	50Hz / 60Hz	UT – BLUE
JAA21310AAL211		$400V \leq LV < 480V$	50Hz / 60Hz	
JAA21310AAL212		480V	60Hz	
JAA21310AAL234		480V	50Hz	
JAA21310AAL213	CSA	480V	60Hz	UT – BLUE

OVF460 TANDEM DRIVE (70T MACHINE)

10-JAA21310AAL

ARRANGEMENT

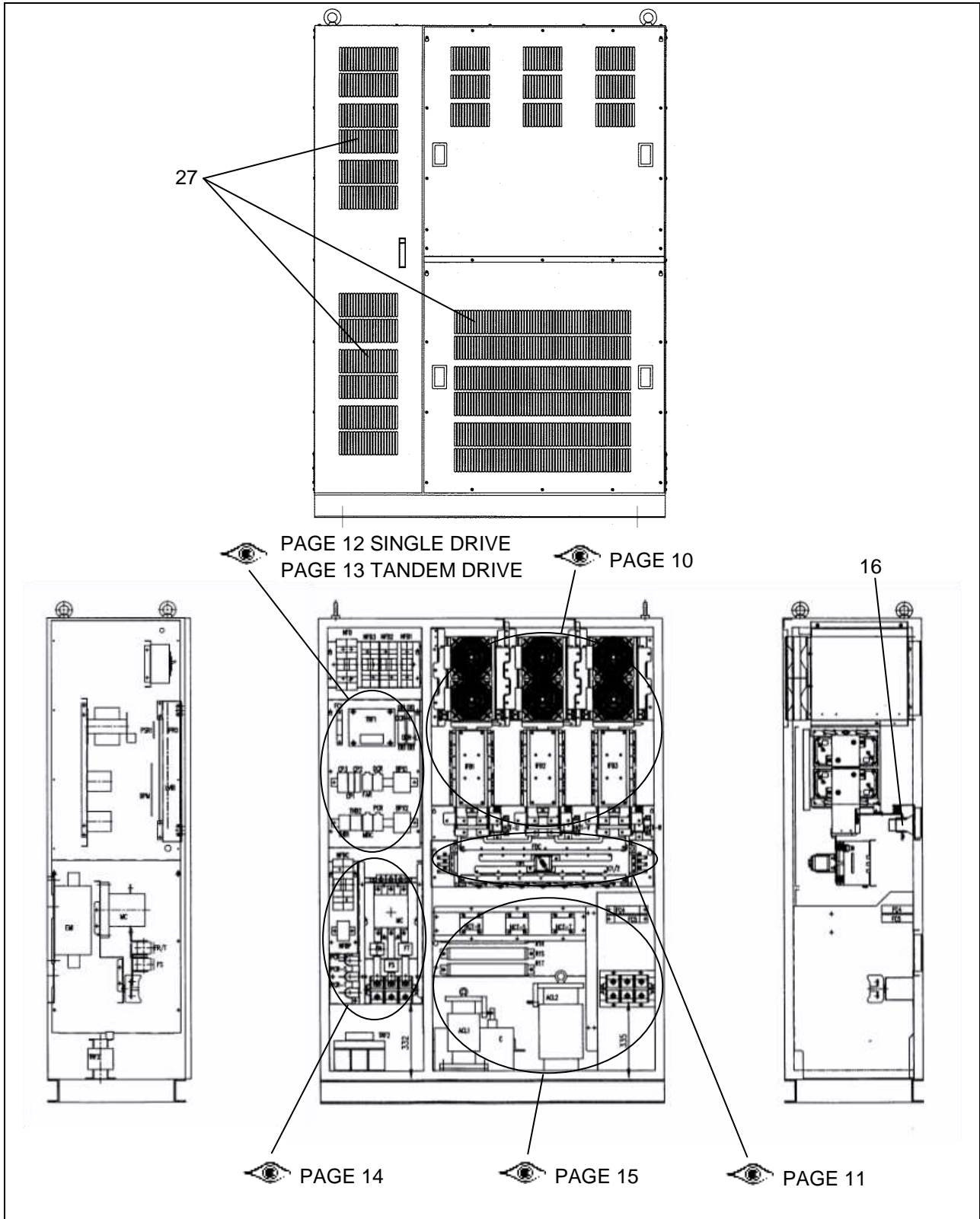
ASSEMBLY NO. 70T MACHINE	APPLICATION	LINE VOLTAGE	FREQUENCY	DESCRIPTION
JAA21310AAL301	JPN	$380V \leq LV < 400V$	60Hz	E82G "D"
JAA21310AAL331			50Hz	
JAA21310AAL302		$400V \leq LV < 440V$	60Hz	
JAA21310AAL332			50Hz	
JAA21310AAL333		$440V \leq LV < 480V$	50Hz / 60Hz	
JAA21310AAL303		480V	60Hz	
JAA21310AAL334			50Hz	
JAA21310AAL304	JPN	$380V \leq LV < 400V$	60Hz	UT – BLUE
JAA21310AAL335			50Hz	
JAA21310AAL305		$400V \leq LV < 440V$	60Hz	
JAA21310AAL336			50Hz	
JAA21310AAL337		$440V \leq LV < 480V$	50Hz / 60Hz	
JAA21310AAL306		480V	60Hz	
JAA21310AAL338			50Hz	
JAA21310AAL307	CEN	$380V \leq LV < 400V$	60Hz	CAPRI – BLUE W / LEATHER TOUCH
JAA21310AAL339			50Hz	
JAA21310AAL308		$400V \leq LV < 440V$	60Hz	
JAA21310AAL340			50Hz	
JAA21310AAL341		$440V \leq LV < 480V$	50Hz / 60Hz	
JAA21310AAL309		480V	60Hz	
JAA21310AAL342			50Hz	
JAA21310AAL310	CEN	$380V \leq LV < 400V$	60Hz	UT – BLUE
JAA21310AAL343			50Hz	
JAA21310AAL311		$400V \leq LV < 440V$	60Hz	
JAA21310AAL344			50Hz	
JAA21310AAL345		$440V \leq LV < 480V$	50Hz / 60Hz	
JAA21310AAL312		480V	60Hz	
JAA21310AAL346			50Hz	
JAA21310AAL347	CSA	480V	60Hz	UT – BLUE
JAA21310AAL313			50Hz	

10-JAA21310AAL**OVF460 TANDEM DRIVE
(100T MACHINE)****ARRANGEMENT**

ASSEMBLY NO.	APPLICATION	LINE VOLTAGE	FREQUENCY	DESCRIPTION
100T MACHINE				
JAA21310AAL401	JPN	$380V \leq LV < 400V$	50Hz / 60Hz	E82G "D"
JAA21310AAL402		$400V \leq LV < 480V$	50Hz / 60Hz	
JAA21310AAL403		480V	50Hz / 60Hz	
JAA21310AAL404	JPN	$380V \leq LV < 400V$	50Hz / 60Hz	UT – BLUE
JAA21310AAL405		$400V \leq LV < 480V$	50Hz / 60Hz	
JAA21310AAL406		480V	50Hz / 60Hz	
JAA21310AAL407	CEN	$380V \leq LV < 400V$	50Hz / 60Hz	CAPRI – BLUE W / LEATHER TOUCH
JAA21310AAL408		$400V \leq LV < 480V$	50Hz / 60Hz	
JAA21310AAL409		480V	50Hz / 60Hz	
JAA21310AAL410	CEN	$380V \leq LV < 400V$	50Hz / 60Hz	UT – BLUE
JAA21310AAL411		$400V \leq LV < 480V$	50Hz / 60Hz	
JAA21310AAL412		480V	50Hz / 60Hz	
JAA21310AAL413	CSA	480V	60Hz	UT – BLUE
JAA21310AAL414			50Hz	

OVF460 DRIVE JPN VERSION

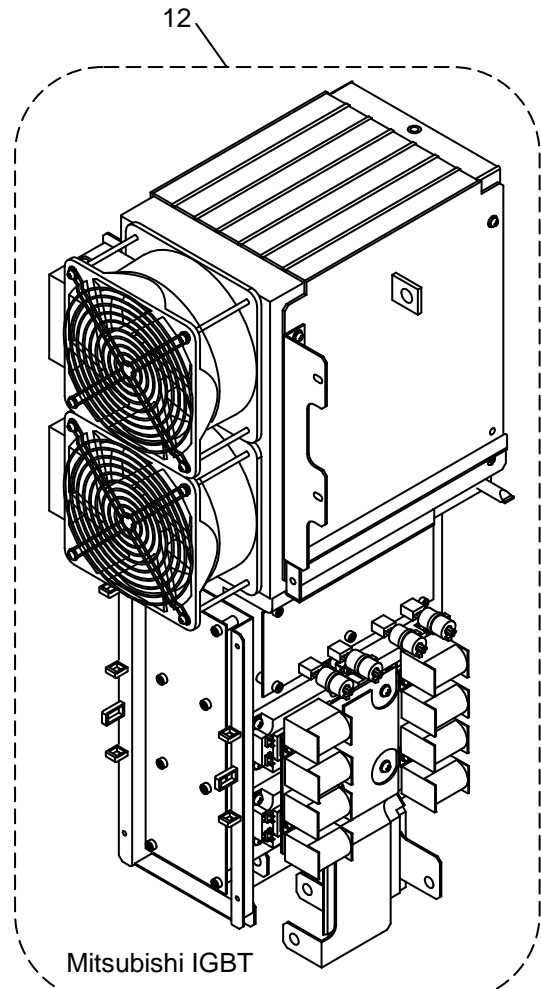
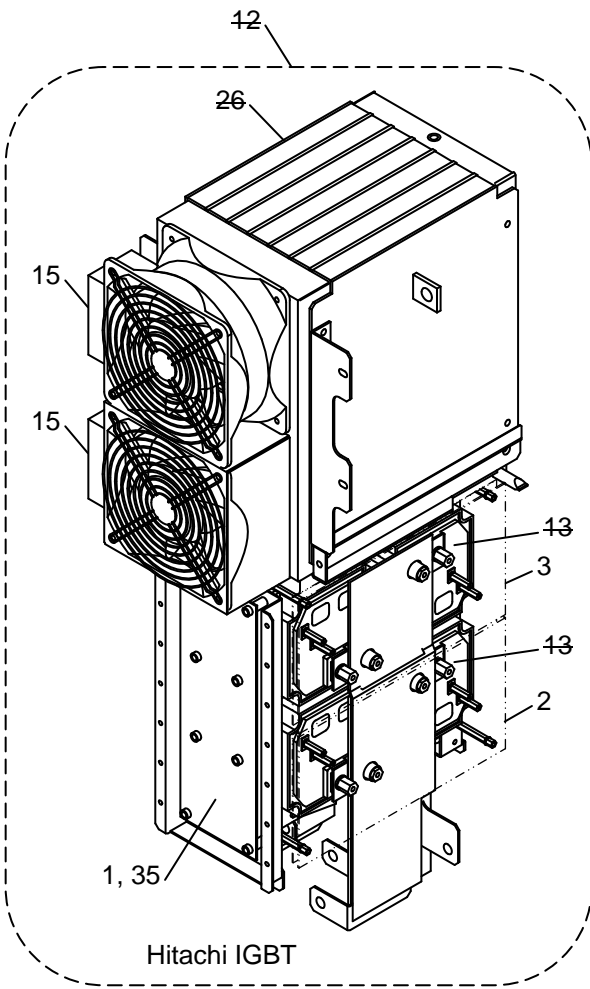
10-JAA21310AAL



10-JAA21310AAL

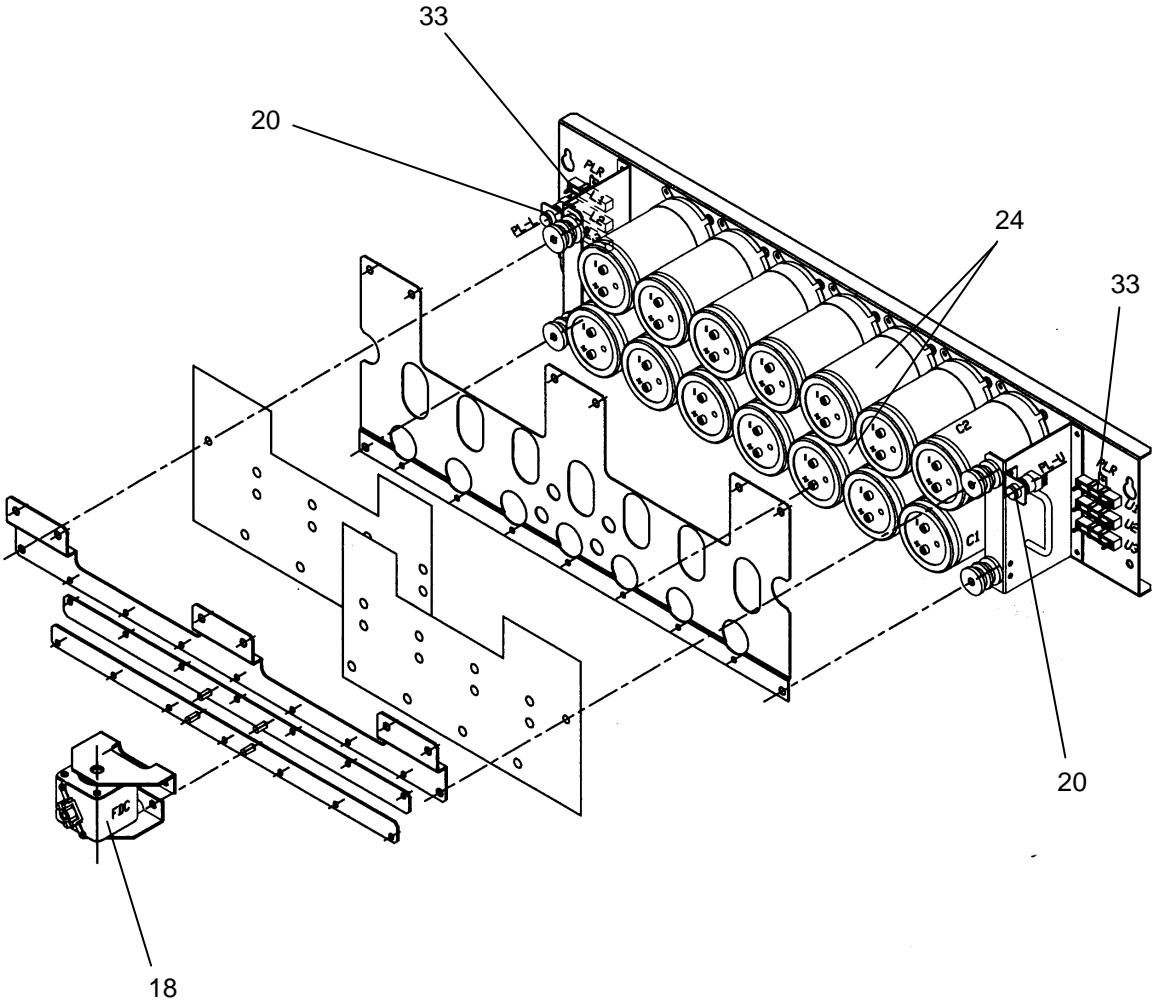
OVF460 DRIVE JPN VERSION

When replacing the old IGBT module (JBA21310AAN),
all three phases should be replaced with the new IGBT module (JCA21310AAN).



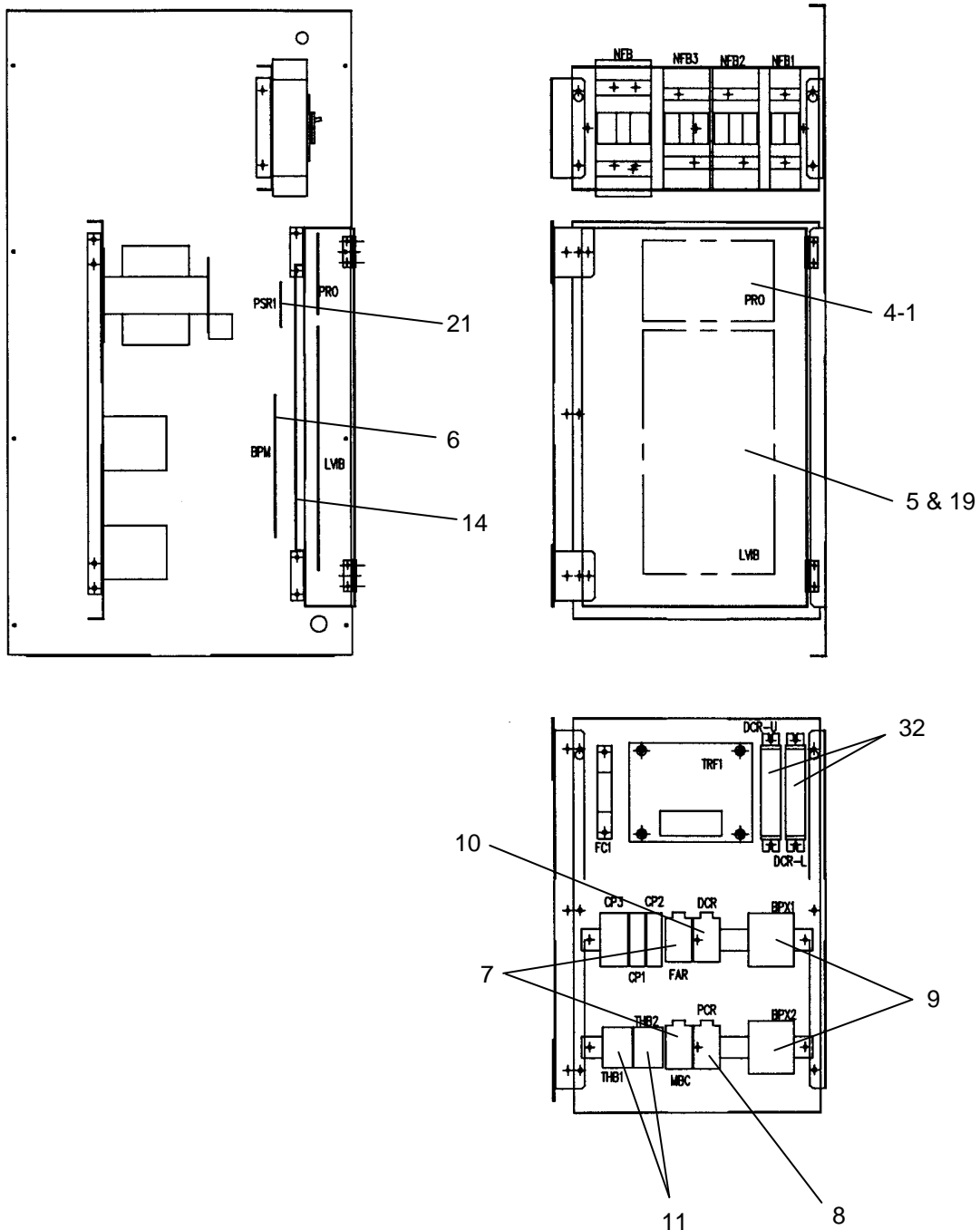
OVF460 DRIVE JPN VERSION

10-JAA21310AAL



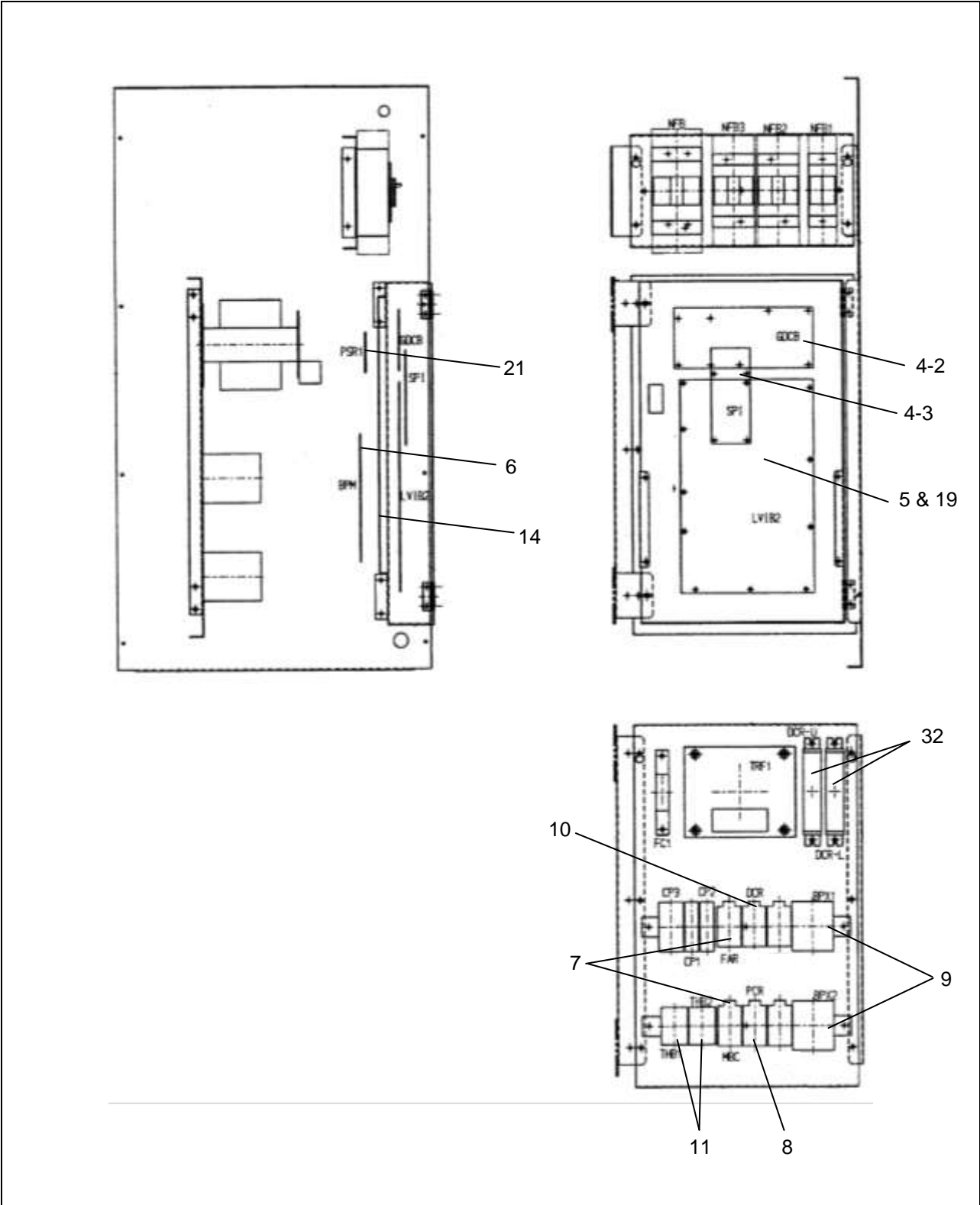
10-JAA21310AAL

OVF460 SINGLE DRIVE JPN VERSION



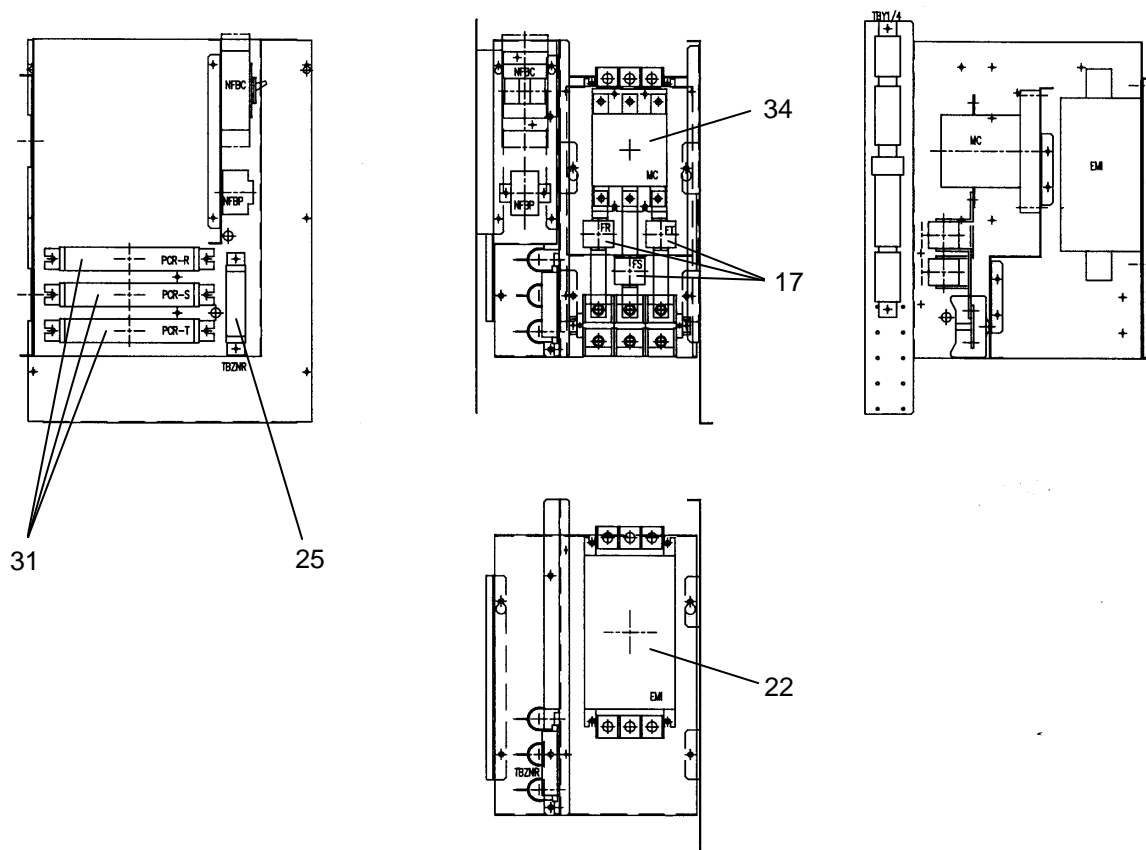
OVF460 TANDEM DRIVE JPN VERSION

10-JAA21310AAL



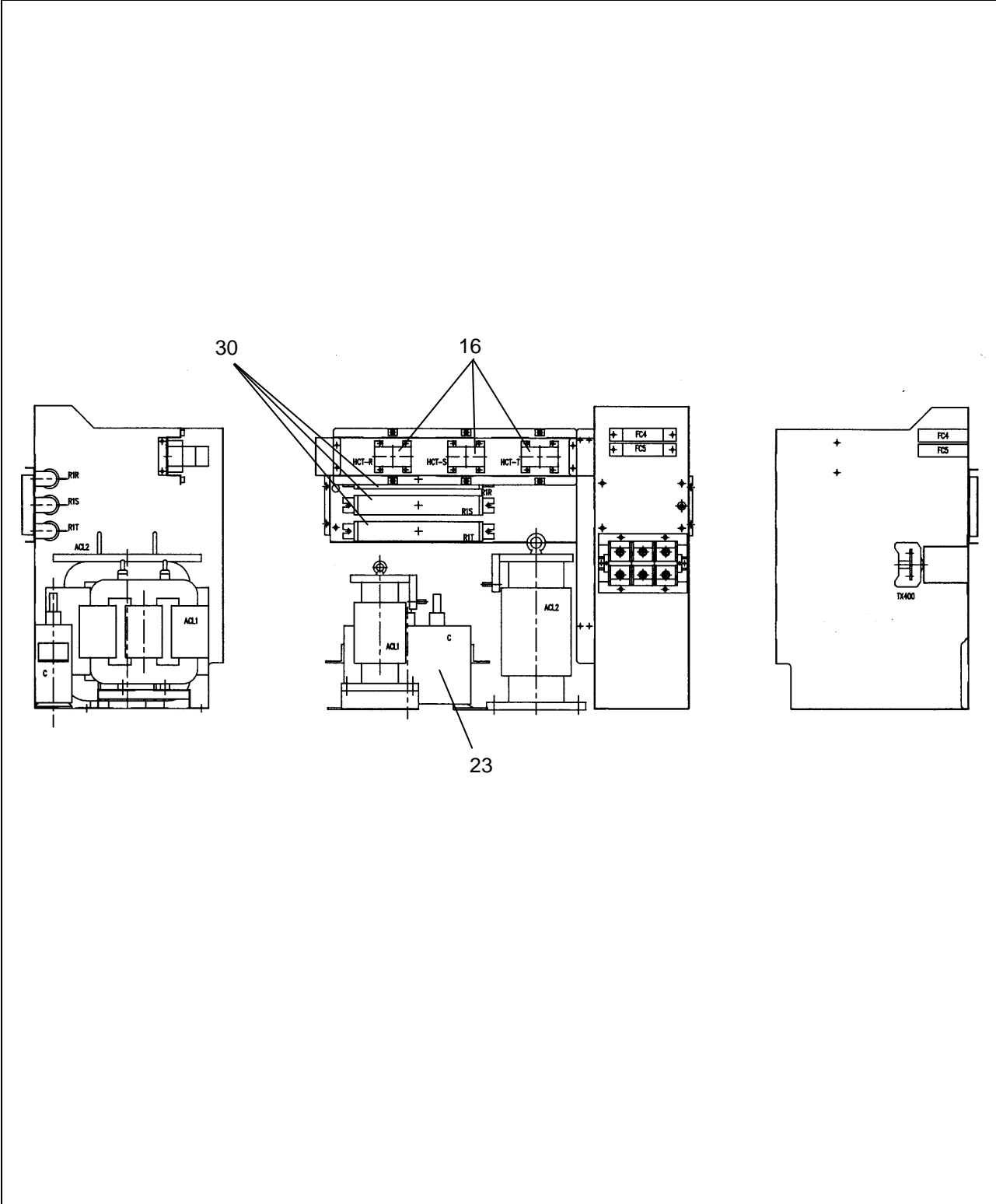
10-JAA21310AAL

OVF460 DRIVE JPN VERSION






OVF460 DRIVE JPN VERSION

10-JAA21310AAL



10-JAA21310AAL

OVF460 DRIVE JPN VERSION

JAA21310AAL					
REF. NO.	PART or ML		DESCRIPTION	SYMBOL	REMARKS
1	JAA26807BRN1 JBA26807BRN1		PC BOARD	IFB	CONTACT TO OS CJ PARTS CENTER
2	JAA26807BRP1 JAA26807BRP2		PC BOARD for MBN1000GR12D PC BOARD for MBN1000GR12A	HVCLP1, 2	
3	JAA26807BRR1 JAA26807BRR2		PC BOARD for MBN1000GR12D PC BOARD for MBN1000GR12A	HVCLN1, 2	
4 -	1	ADA26800VA4 See LVIB/Processor Board Replacing kit.	PC BOARD	PRO GDCB	Single Drive
	2	*ABA26800AKT1_SP  Note, Page 17		GDCB	Tandem Drive
	3	JAA26807CBP1		SPI	
5	ADA26800RN2 See LVIB/Processor Board Replacing kit.		PC BOARD	LVIB LVIB2	Single Drive
	JAA26807CBL1 JBA26807CBL1 JCA26807CBL4			LVIB2	Tandem Drive
6	JBA26807BEN003		PC BOARD	BPM	
7	JAA00613ABP001		RELAY	MBC, FAR	
8	JAA00613ABP002		RELAY	PCR	
9	JAA613AFM24		RELAY	BPX1, 2	
10	JAA00613ABC024		RELAY	DCR	
11	TR-0NH/3  Page 40		THERMAL RELAY (FUJI ELECTRIC) BY ORDER	THB1, 2	Single Drive
	 Page 41				Tandem Drive
12	JAA21350AAN1 JBA21350AAN1 JBA21350AAN3		IGBT UNIT	---	DISCONTINUED Hitachi IGBT
	JCA21350AAN1			---	Mitsubishi IGBT

OVF460 DRIVE JPN VERSION

10-JAA21310AAL

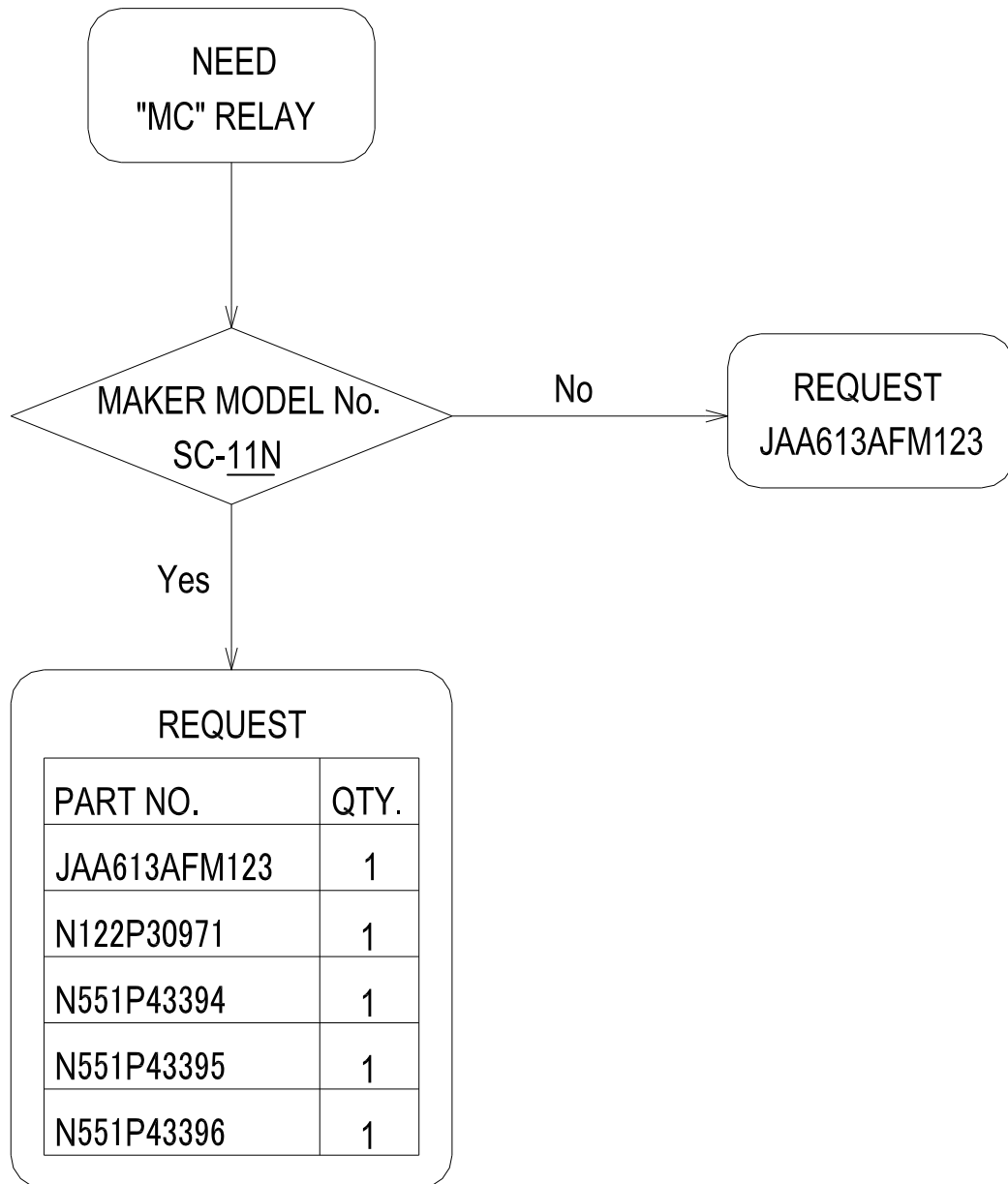
	JAA21310AAL			
REF. NO.	PART or ML	DESCRIPTION	SYMBOL	REMARKS
43	MBN1000GR12D MBN1000GR12A	IGBT (HITACHI) BY ORDER	---	DISCONTINUED
14	JAA00601ACD001 JAA601AFM1	IGBT FOR BRAKE	---	
15	JAA301AAT1 JAA301AAT2	FAN	---	
16	JAA234AEA1	CURRENT TRANSDUCER	HCT-R,S,T HCT-U,V,W	
17	JAA375ABB1	FUSE	FR, FS, FT	
18	JAA375ABC1	FUSE	FDC	
19	AAA375CF4 JAA375ABD1	FUSE	F1 (LVIB) F1 (LVIB2)	Single Drive
	JAA375ABD1		F1 (LVIB2)	Tandem Drive
20	JAA424ABT1 JAA424ABT2	PILOT LIGHT	PL-U, PL-L	
21	JAA00621ABW002	DC-POWER SUPPLY	PSR1	
22	JAA657AAT1	EMI FILTER	EMI	
23	JAA226ALH1	CAPACITOR	C	
24	JAA226ALJ1 JAA226ALJ2	CAPACITOR	C1, C2	
25	JAA605ABW1	VARISTOR	ZR, ZS, ZT	
26	JAA600ACL1	SIPHOREX	---	
27	JAA737AAP1	AIR FILTER (3 Sheets of Sets)	---	
30	RGR400-0.1KOS	RESISTOR (CHIBA TECNO)	R1R,R1S, R1T	
31	RGH300VN6.8JOS	RESISTOR (CHIBA TECNO)	PCR-R,S,T	
32	RGH100V150JOS	RESISTOR (CHIBA TECNO)	DCR-U,L	
33	(N71P48738-153K)	RESISTOR (CHIBA TECNO)	PLR-U1,2,3 PLR-L1,2,3	
34	 Page 18	RELAY	MC	
35	MF60-AC250V-3A	FUSE (MARUKATSU)	F1 (IFB)	

***NOTE) CONTACT TO OSCJ PARTS CENTER AS SOFTWARE. (ABA26800AKT-1_SP)**

10-JAA21310AAL

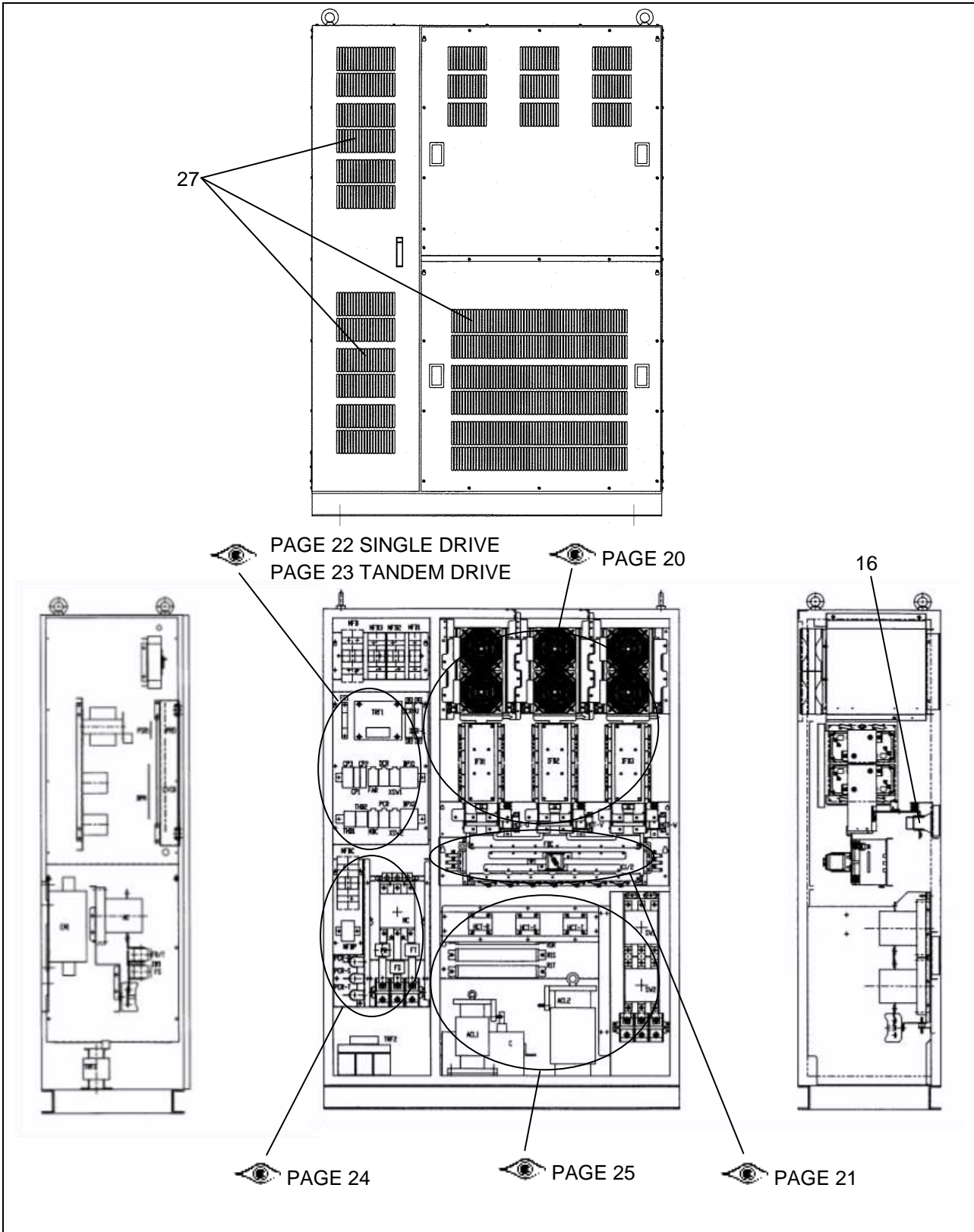
**OVF460 DRIVE
JPN VERSION
~ MC RELAY ~**

REF. NO. 34 : SC-11N WAS CHANGED TO
JAA613AFM123 (MAKER MODEL NO. SC-N11)



OVF460 DRIVE CEN VERSION

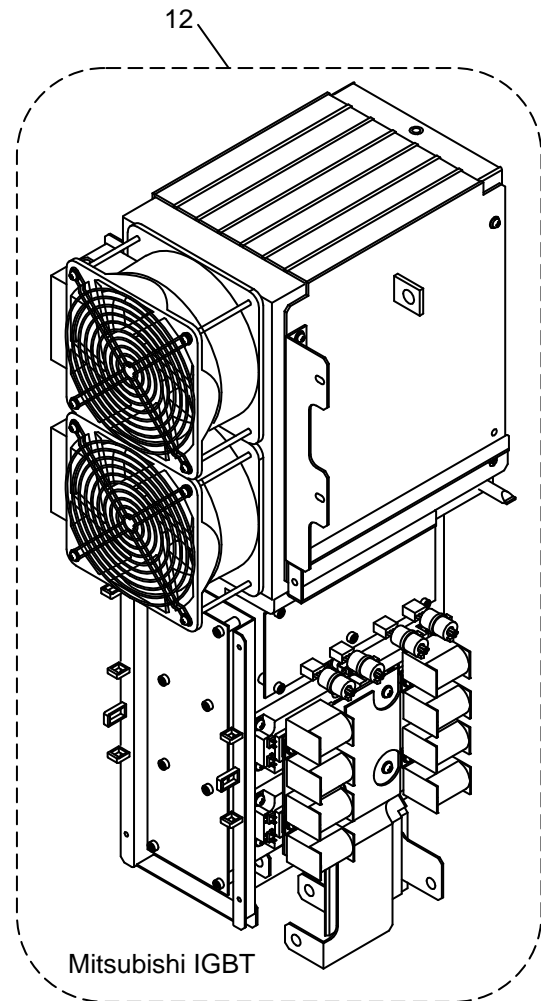
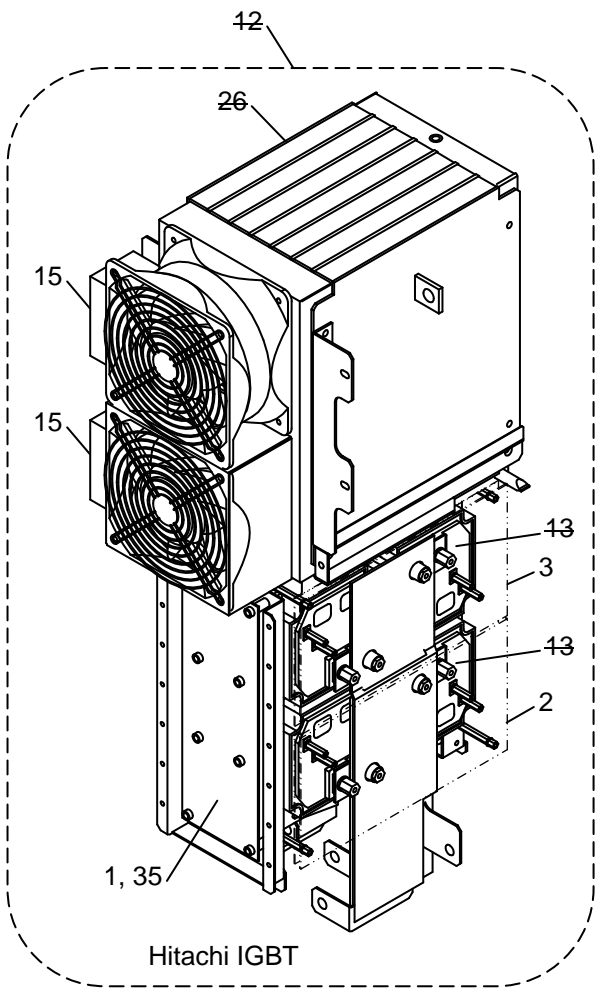
10-JAA21310AAL



10-JAA21310AAL

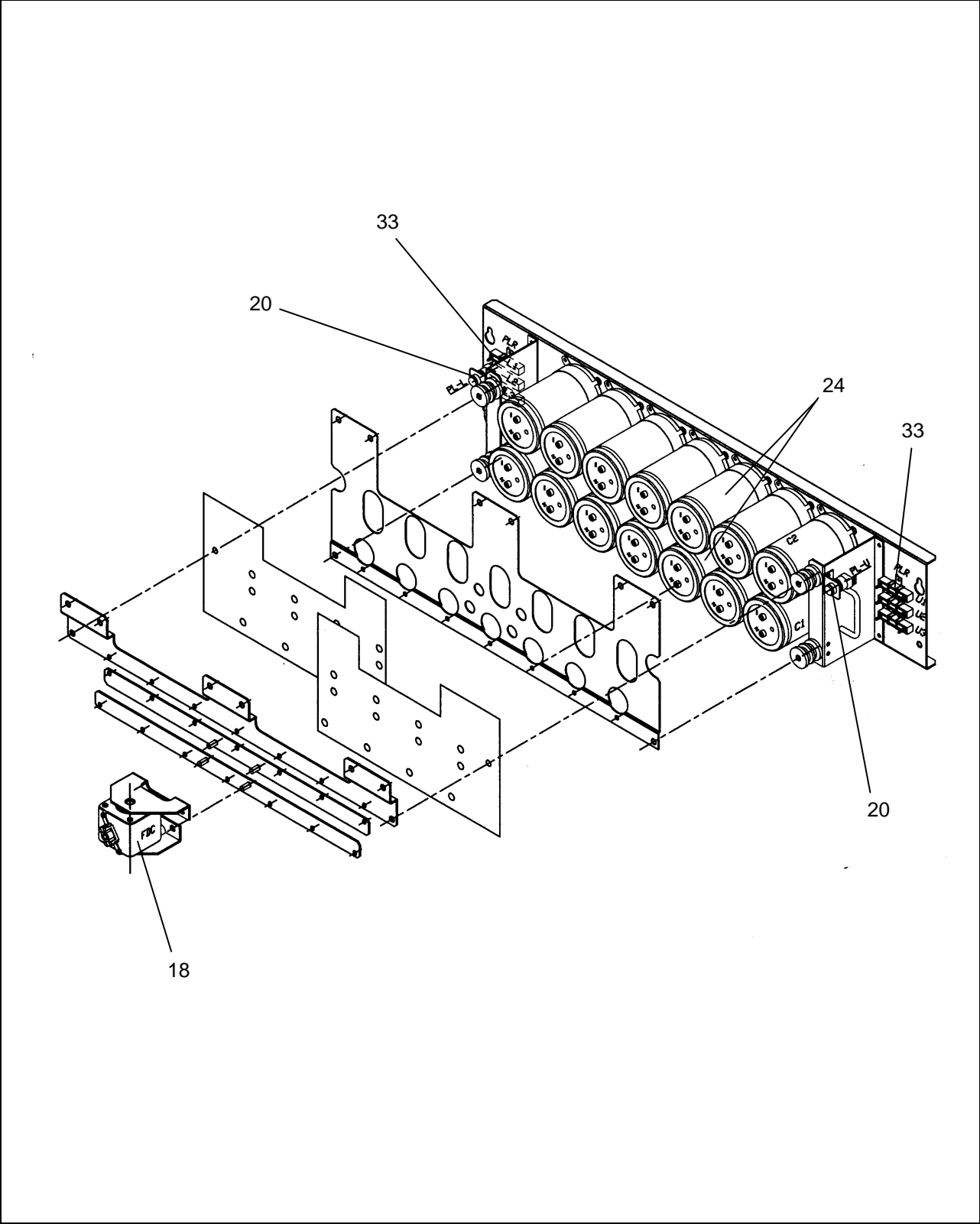
OVF460 DRIVE CEN VERSION

When replacing the old IGBT module (JBA21310AAN),
all three phases should be replaced with the new IGBT module (JCA21310AAN).



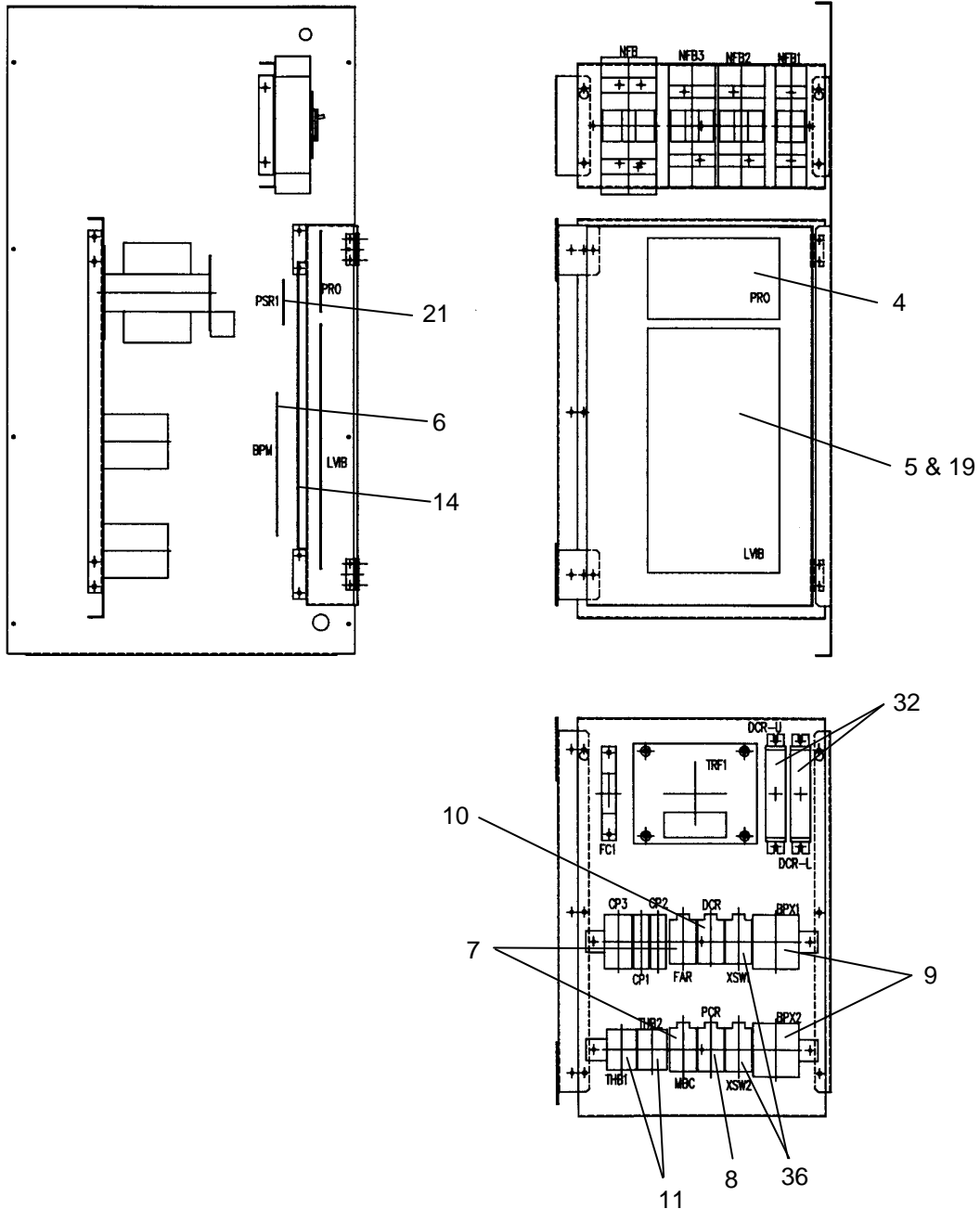
**OVF460 DRIVE
CEN VERSION**

10-JAA21310AAL



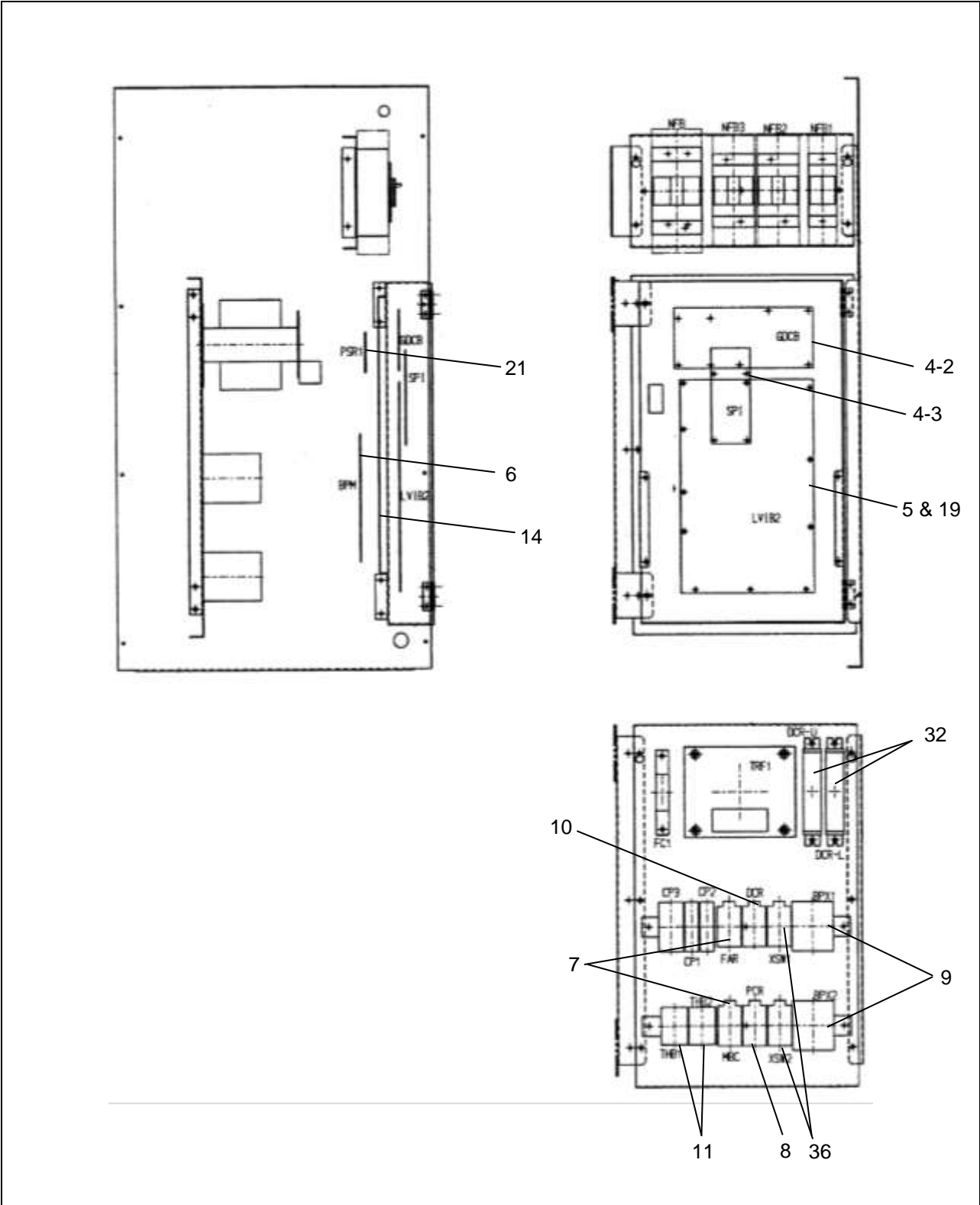
10-JAA21310AAL

OVF460 SINGLE DRIVE CEN VERSION



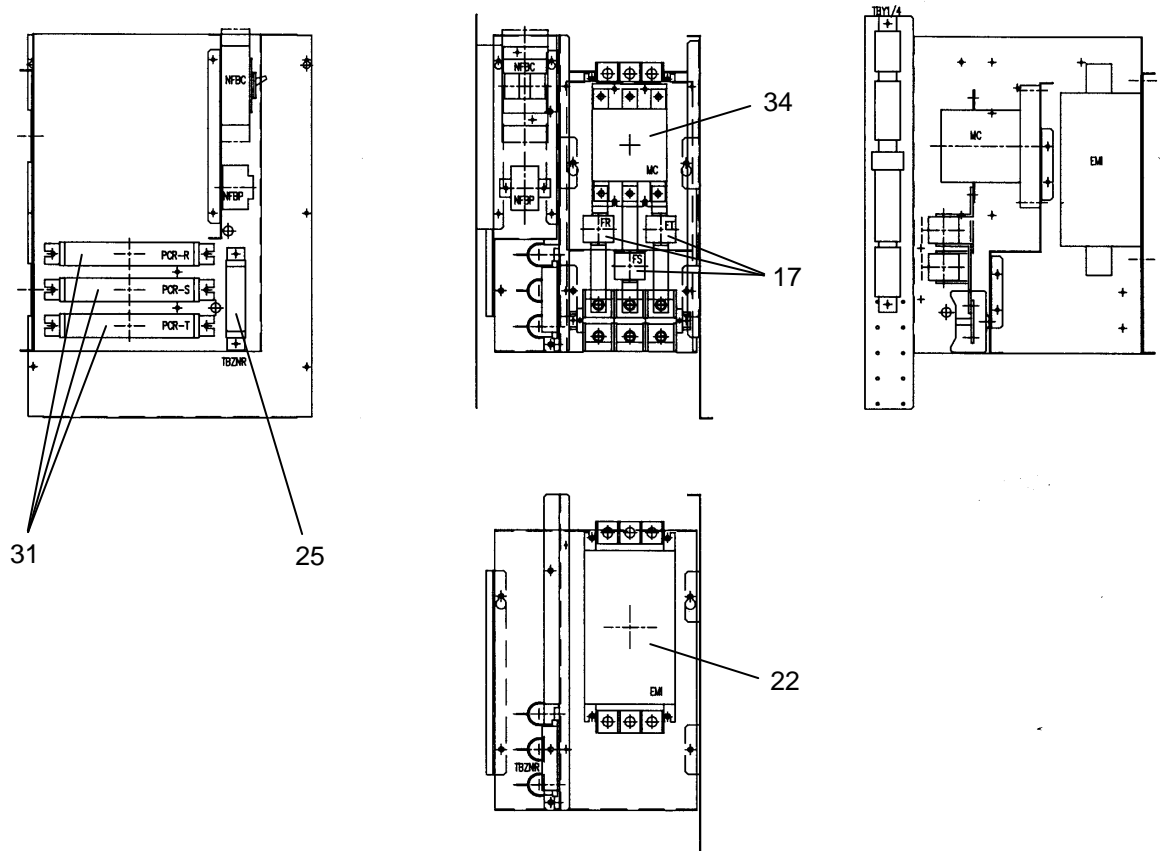
OVF460 TANDEM DRIVE CEN VERSION

10-JAA21310AAL



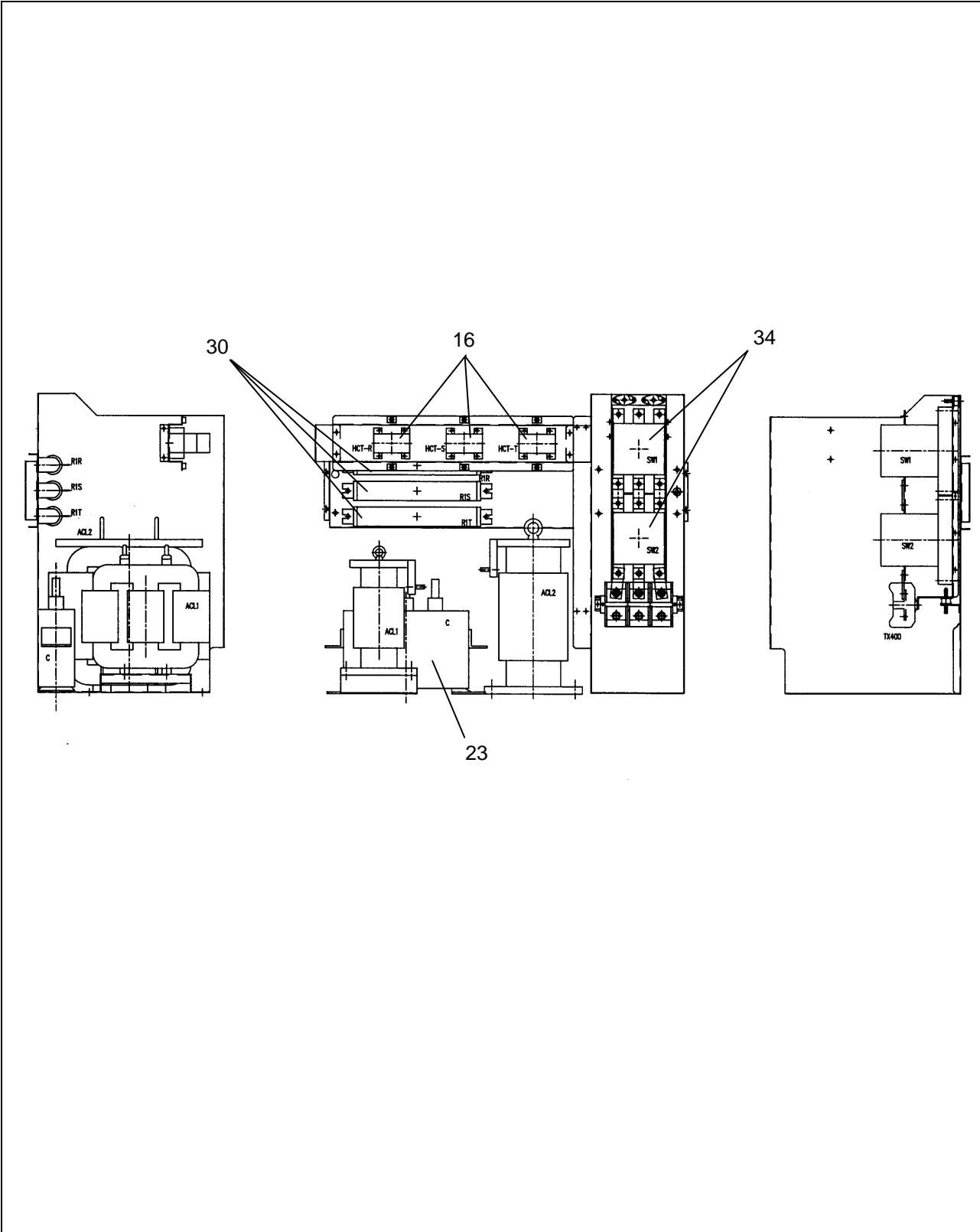
10-JAA21310AAL

**OVF460 DRIVE
CEN VERSION**






OVF460 DRIVE CEN VERSION

10-JAA21310AAL





10-JAA21310AAL

OVF460 DRIVE CEN VERSION

JAA21310AAL				
REF. NO.	PART or ML	DESCRIPTION	SYMBOL	REMARKS
1	JAA26807BRN1 JBA26807BRN1	PC BOARD	IFB	CONTACT TO OSCJ PARTS CENTER
2	JAA26807BRP1 JAA26807BRP2	PC BOARD for MBN1000GR12D PC BOARD for MBN1000GR12A	HVCLP1, 2	
3	JAA26807BRR1 JAA26807BRR2	PC BOARD for MBN1000GR12D PC BOARD for MBN1000GR12A	HVCLN1, 2	
4 -	1 ADA26800VA1 See LVIB/Processor Board Replacing kit	PC BOARD	PRO GDCB	Single Drive
	2 *ABA26800AKT1_SP  Note, Page 27		GDCB	Tandem Drive
	3 JAA26807CBP1		SPI	
5	ADA26800RN2 See LVIB/Processor Board Replacing kit	PC BOARD	LVIB LVIB2	Single Drive
	JAA26807CBL1 JBA26807CBL1 JCA26807CBL4		LVIB2	Tandem Drive
6	JBA26807BEN003	PC BOARD	BPM	
7	JAA00613ABP001	RELAY	MBC, FAR	
8	JAA00613ABP002	RELAY	PCR	
9	JAA613AFM24	RELAY	BPX1, 2	
10	JAA00613ABC024	RELAY	DCR	
11	TR-0NH/3  Page 40	THERMAL RELAY (FUJI ELECTRIC)	THB1, 2	Single Drive
	 Page 41	BY ORDER		Tandem Drive
12	JAA21350AAN1 JBA21350AAN1 JBA21350AAN3	IGBT UNIT	---	DISCONTINUED Hitachi IGBT
	JCA21350AAN1		---	Mitsubishi IGBT

OVF460 DRIVE CEN VERSION

10-JAA21310AAL

	JAA21310AAL			
REF. NO.	PART or ML	DESCRIPTION	SYMBOL	REMARKS
43	MBN1000GR12D MBN1000GR12A	IGBT (HITACHI) BY ORDER	---	DISCONTINUED
14	JAA00601ACD001 JAA601AFM1	IGBT FOR BRAKE	---	
15	JAA301AAT1 JAA301AAT2	FAN	---	
16	JAA234AEA1	CURRENT TRANSDUCER	HCT-R,S,T HCT-U,V,W	
17	JAA375ABB1	FUSE	FR, FS, FT	
18	JAA375ABC1	FUSE	FDC	
19	AAA375CF4 JAA375ABD1	FUSE	F1 (LVIB) F1 (LVIB2)	Single Drive
	JAA375ABD1		F1 (LVIB2)	Tandem Drive
20	JAA424ABT1 JAA424ABT2	PILOT LIGHT	PL-U, PL-L	
21	JAA00621ABW002	DC-POWER SUPPLY	PSR1	
22	JAA657AAT1	EMI FILTER	EMI	
23	JAA226ALH1	CAPACITOR	C	
24	JAA226ALJ1 JAA226ALJ2	CAPACITOR	C1, C2	
25	JAA605ABW1	VARISTOR	ZR, ZS, ZT	
26	JAA600ACL1	SIPHOREX	---	
27	JAA737AAP1	AIR FILTER (3 Sheets of Sets)	---	
30	RGR400-0.1KOS	RESISTOR (CHIBA TECNO)	R1R,R1S,R1T	
31	RGH300VN6.8JOS	RESISTOR (CHIBA TECNO)	PCR-R,S,T	
32	RGH100V150JOS	RESISTOR (CHIBA TECNO)	DCR-U,L	
33	(N71P48738-153K)	RESISTOR (CHIBA TECNO)	PLR-U1,2,3 PLR-L1,2,3	
34	 Page 28	RELAY	MC	
	 Page 29		SW1, SW2	
35	MF60-AC250V-3A	FUSE (MARUKATSU)	F1 (IFB)	
36	JAA00613AAB005	RELAY	XSW1,XSW2	

***NOTE) CONTACT TO OSCJ PARTS CENTER AS SOFTWARE. (ABA26800AKT-1 SP)**
Unpublished Work—Otis Elevator Co.

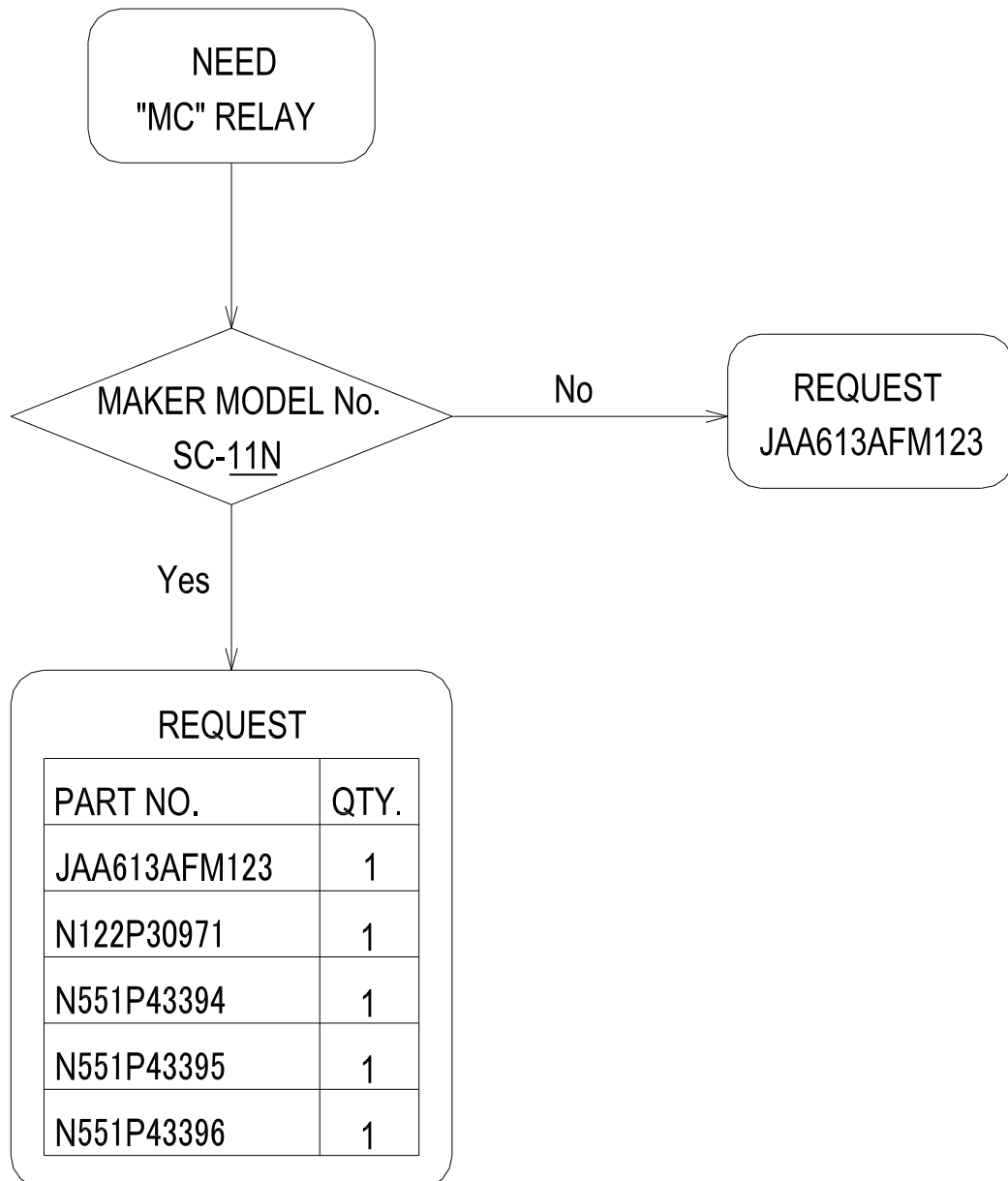
Oct. 25, 2019

Page 27

10-JAA21310AAL

**OVF460 DRIVE
CEN VERSION
~ MC RELAY ~**

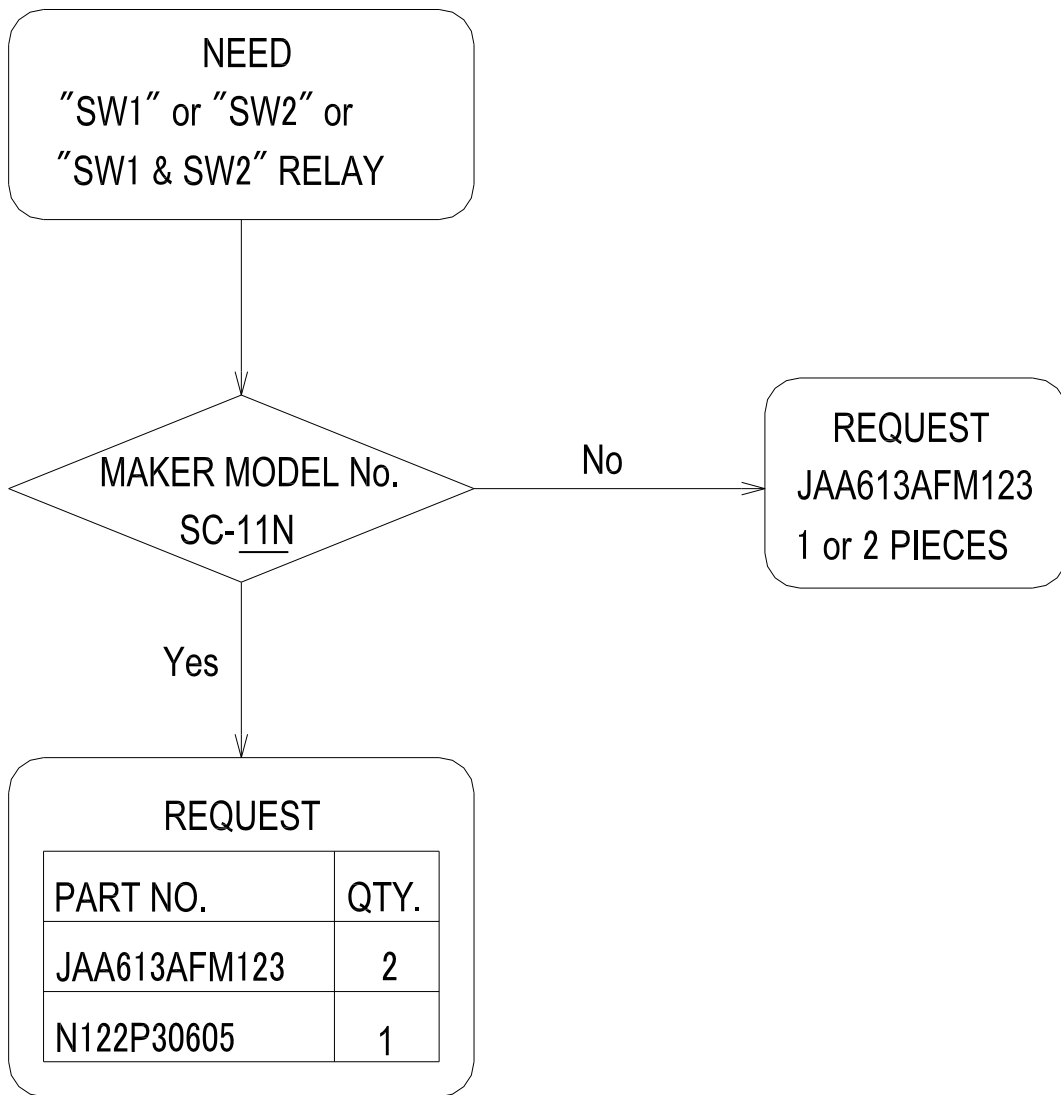
REF. NO. 34 : SC-11N WAS CHANGED TO
JAA613AFM123 (MAKER MODEL NO. SC-N11)



OVF460 DRIVE
CEN VERSION
~ **SW1, SW2 RELAY** ~

10-JAA21310AAL

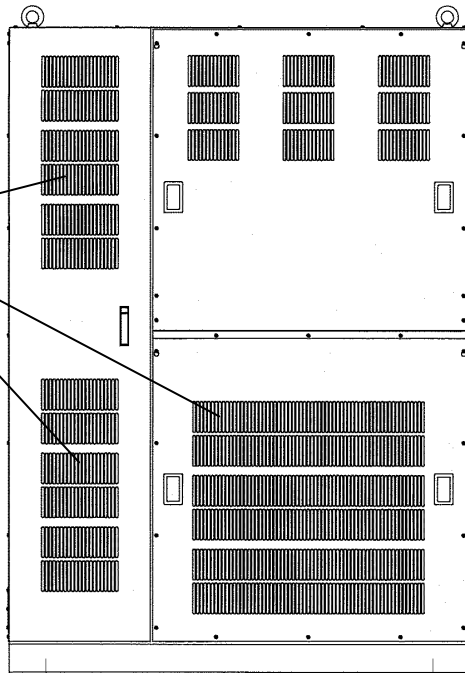
REF. NO. 34 : SC-11N WAS CHANGED TO
JAA613AFM123 (MAKER MODEL NO. SC-N11)



10-JAA21310AAL

**OVF460 DRIVE
CSA VERSION**

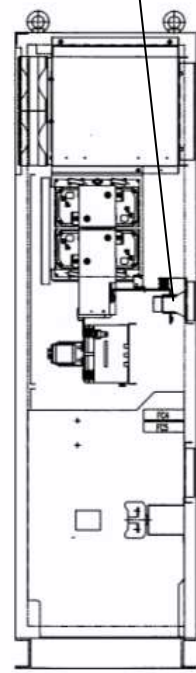
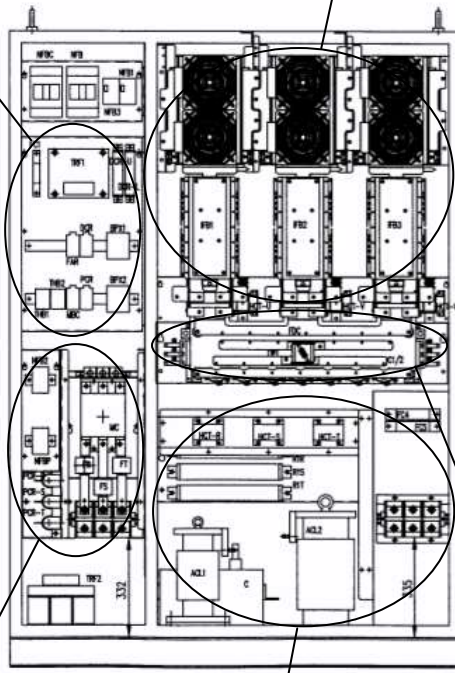
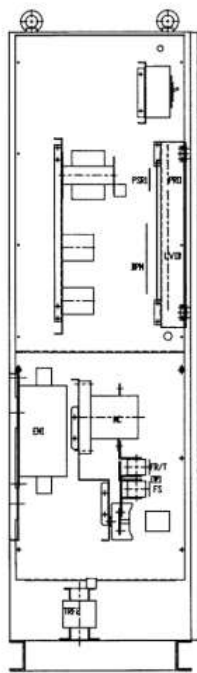
27



PAGE 33 SINGLE DRIVE
PAGE 34 TANDEM DRIVE

PAGE 31

16



PAGE 35

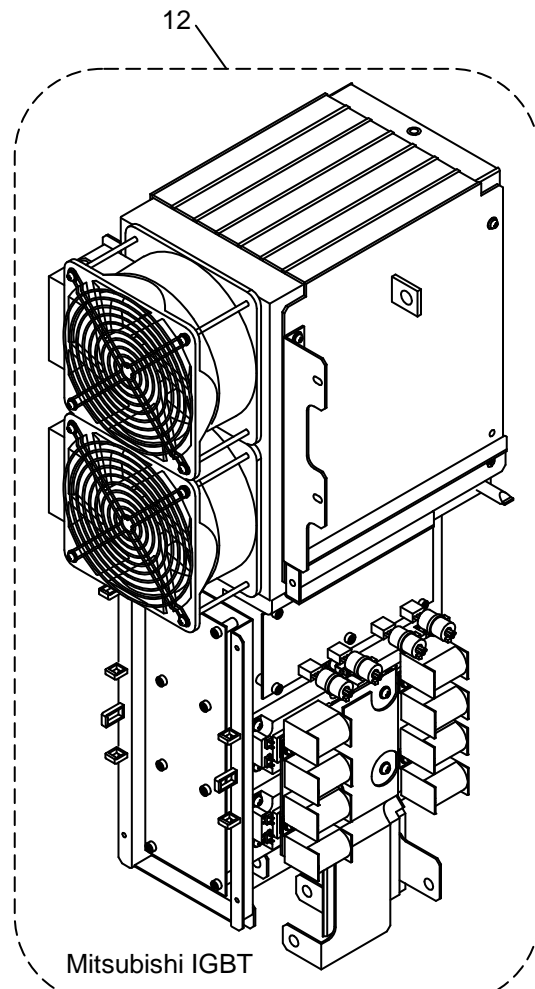
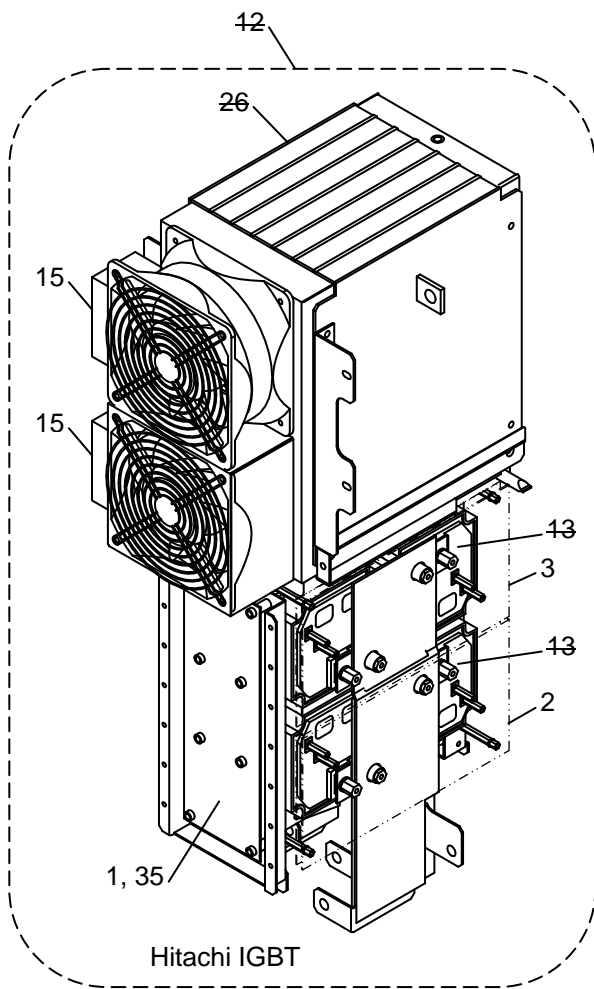
PAGE 36

PAGE 32

OVF460 DRIVE CSA VERSION

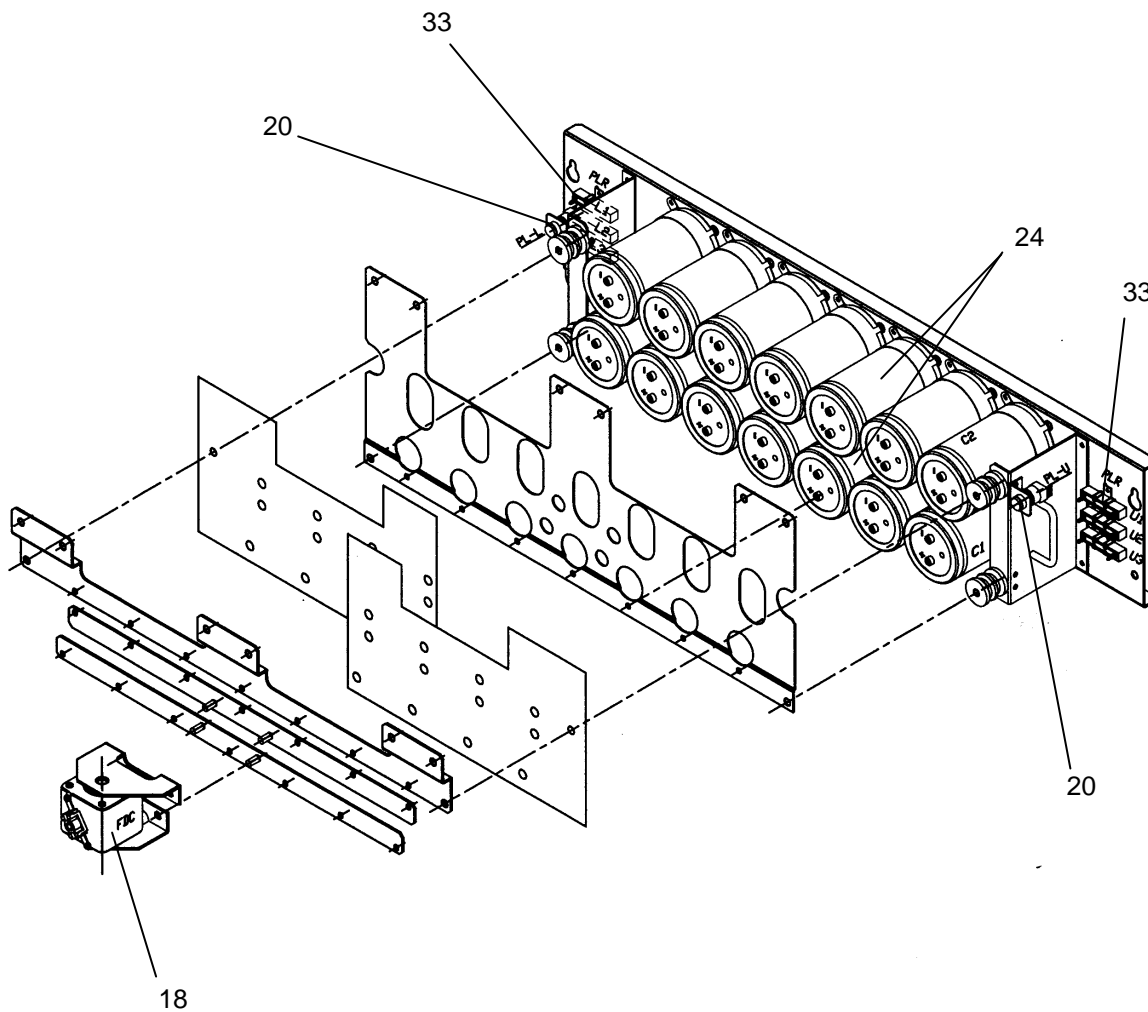
10-JAA21310AAL

When replacing the old IGBT module (JBA21310AAN),
all three phases should be replaced with the new IGBT module (JCA21310AAN).



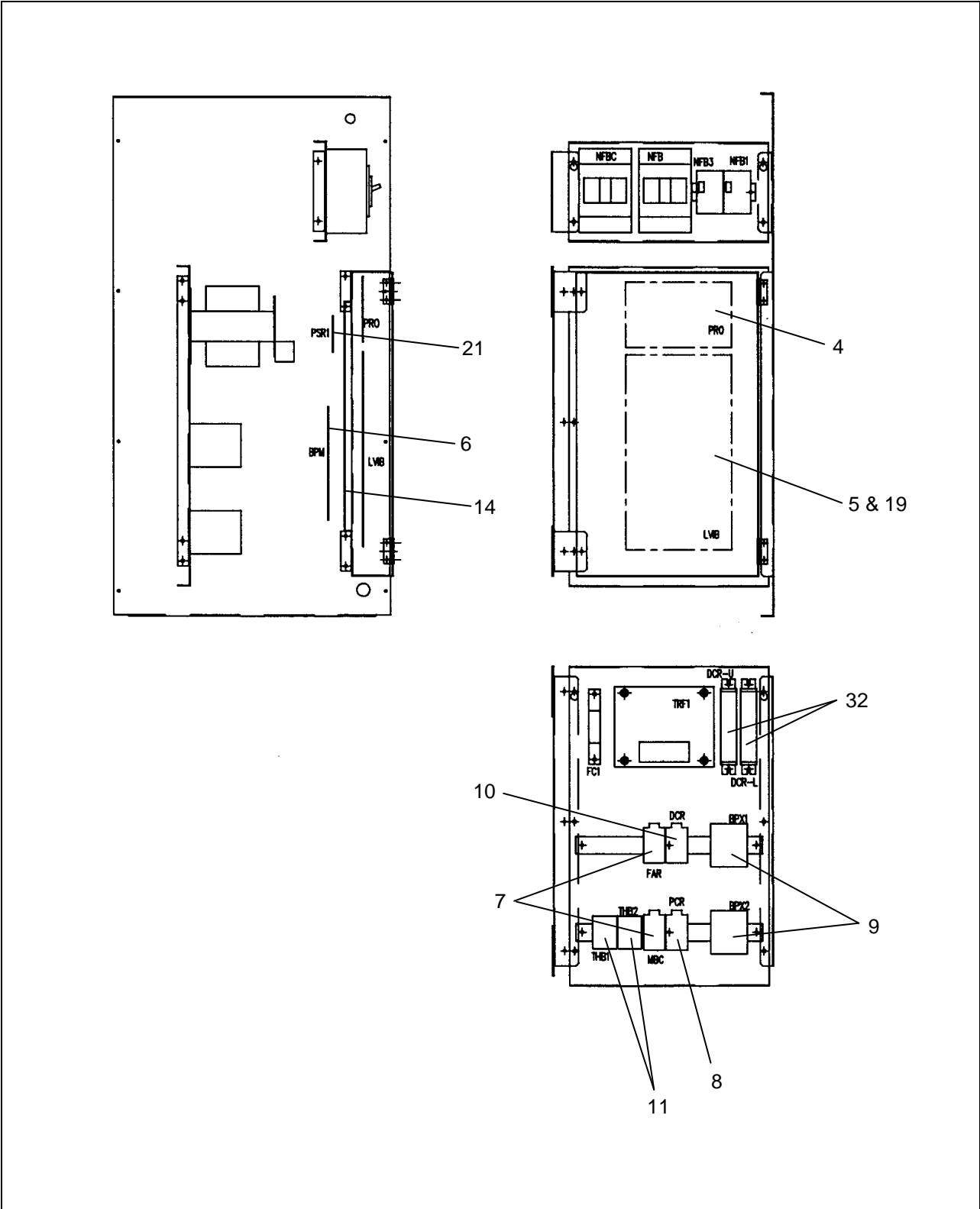
10-JAA21310AAL

**OVF460 DRIVE
CSA VERSION**

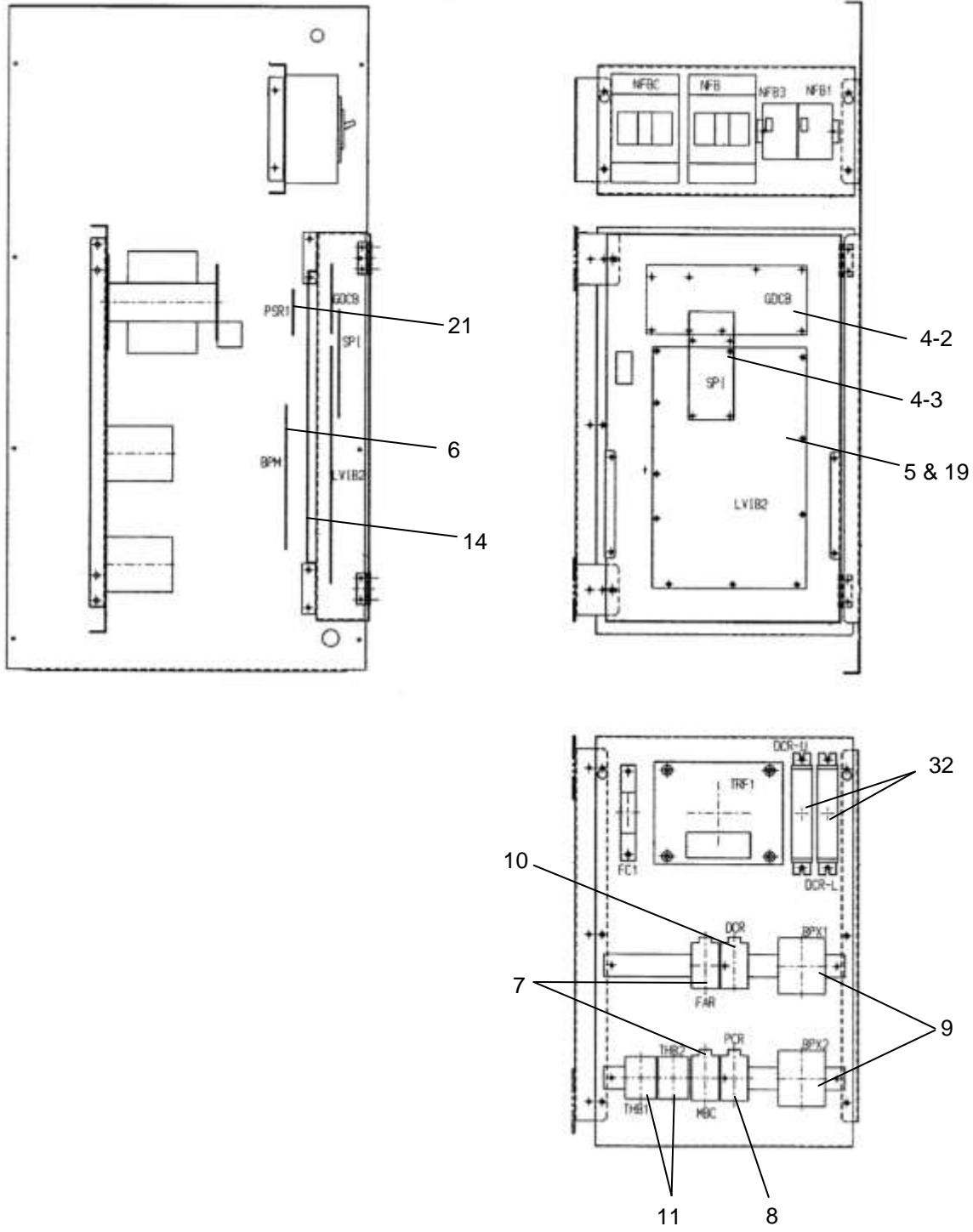


OVF460 SINGLE DRIVE CSA VERSION

10-JAA21310AAL

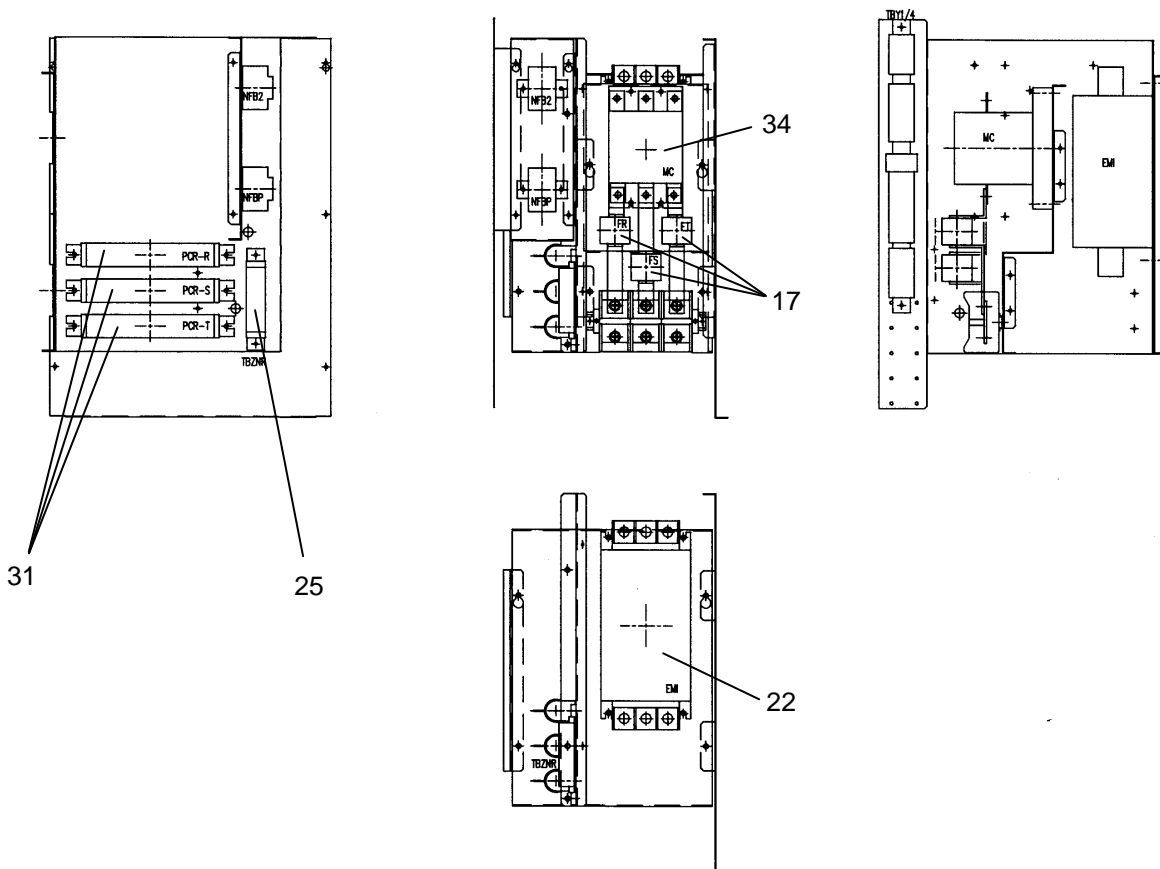


OVF460 TANDEM DRIVE CSA VERSION



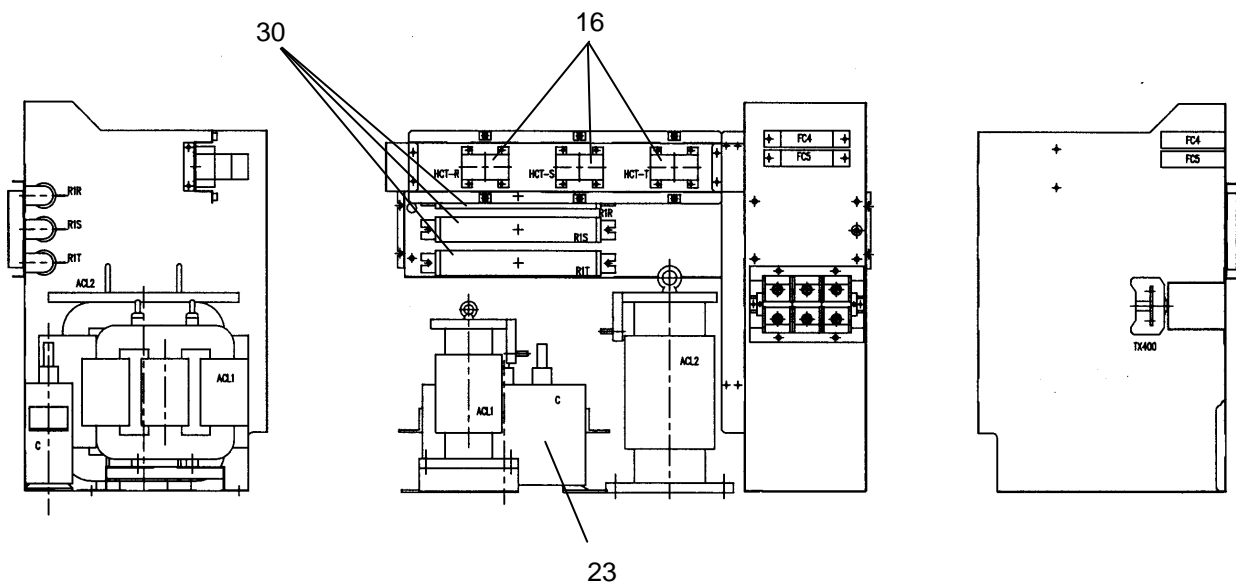
OVF460 DRIVE CSA VERSION

10-JAA21310AAL



10-JAA21310AAL

OVF460 DRIVE CSA VERSION



OVF460 DRIVE CSA VERSION

10-JAA21310AAL

JAA21310AAL					
REF. NO.	PART or ML	DESCRIPTION	SYMBOL	REMARKS	
1	JAA26807BRN2 JBA26807BRN2	PC BOARD	IFB	CONTACT TO OSCJ PARTS CENTER	
2	JAA26807BRP4 JAA26807BRP2	PC BOARD for MBN1000GR12D PC BOARD for MBN1000GR12A	HVCLP1,2		
3	JAA26807BRR1 JAA26807BRR2	PC BOARD for MBN1000GR12D PC BOARD for MBN1000GR12A	HVCLN1,2		
4 -	1	ADA26800VA4 See LVIB/Processor Board Replacing kit	PC BOARD	PRO GDCB	Single Drive
	2	*ABA26800AKT1_SP Note, Page 38		GDCB	Tandem Drive
	3	JAA26807CBP1		SPI	
5	ADA26800RN2 See LVIB/Processor Board Replacing kit	PC BOARD	LVIB LVIB2	Single Drive	
	JAA26807CBL1 JBA26807CBL1 JCA26807CBL4		LVIB2	Tandem Drive	
6	JBA26807BEN003	PC BOARD	BPM		
7	JAA00613ABP001	RELAY	MBC, FAR		
8	JAA00613ABP002	RELAY	PCR		
9	JAA613AFM24	RELAY	BPX1, 2		
10	JAA00613ABC024	RELAY	DCR		
11	TR-0NH/3 Page 42	THERMAL RELAY (FUJI ELECTRIC) BY ORDER	THB1, 2	Single Drive	
	Page 43			Tandem Drive	
12	JAA21350AAN2 JBA21350AAN2 JBA21350AAN4	IGBT UNIT	---	DISCONTINUED Hitachi IGBT	
	JCA21350AAN2		---	Mitsubishi IGBT	

10-JAA21310AAL**OVF460 DRIVE
CSA VERSION**

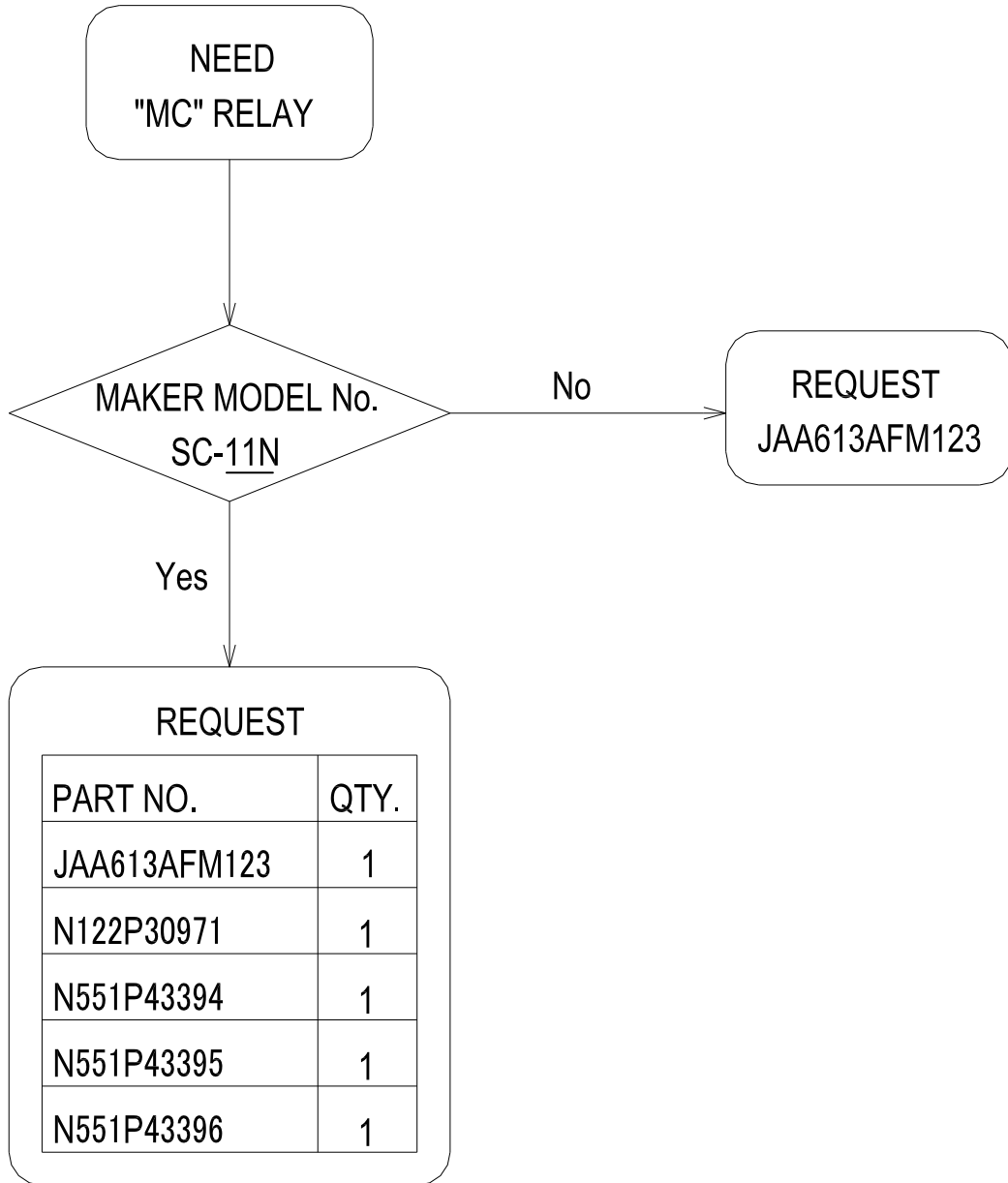
JAA21310AAL				
REF. NO.	PART or ML	DESCRIPTION	SYMBOL	REMARKS
43	MBN1000GR12D MBN1000GR12A	IGBT (HITACHI) BY ORDER	---	DISCONTINUED
14	JAA00601ACD001 JAA601AFM1	IGBT FOR BRAKE	---	
15	JAA301AAT1 JAA301AAT2	FAN	---	
16	JAA234AEA1	CURRENT TRANSDUCER	HCT-R,S,T HCT-U,V,W	
17	JAA375ABB1	FUSE	FR, FS, FT	
18	JAA375ABC1	FUSE	FDC	
19	AAA375CF4 JAA375ABD1	FUSE	F1 (LVIB) F1 (LVIB2)	Single Drive
	JAA375ABD1		F1 (LVIB2)	Tandem Drive
20	JAA424ABT1 JAA424ABT2	PILOT LIGHT	PL-U, PL-L	
21	JAA00621ABW002	DC-POWER SUPPLY	PSR1	
22	JAA657AAT1	EMI FILTER	EMI	
23	JAA226ALH1	CAPACITOR	C	
24	JAA226ALJ1 JAA226ALJ2	CAPACITOR	C1, C2	
25	JAA605ABW1	VARISTOR	ZR, ZS, ZT	
26	JAA600AGL1	SIPHOREX	---	
27	JAA737AAP1	AIR FILTER (3 Sheets of Sets)	---	
30	RGR400-0.1KOS	RESISTOR (CHIBA TECNO)	R1R,R1S,R1T	
31	RGH300VN6.8JOS	RESISTOR (CHIBA TECNO)	PCR-R,S,T	
32	RGH100V150JOS	RESISTOR (CHIBA TECNO)	DCR-U,L	
33	(N71P48738-153K)	RESISTOR (CHIBA TECNO)	PLR-U1,2,3 PLR-L1,2,3	
34	 Page 39	RELAY	MC	
35	JAA375ABD1	FUSE	F1 (IFB)	

***NOTE) CONTACT TO OSCJ PARTS CENTER AS SOFTWARE. (ABA26800AKT-1_SP)**

OVF460 DRIVE
CSA VERSION
~ **MC RELAY** ~

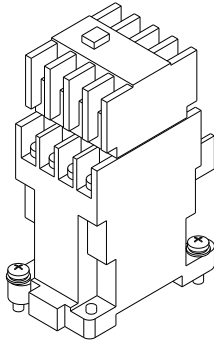
10-JAA21310AAL

REF. NO. 34 : SC-11N WAS CHANGED TO
JAA613AFM123 (MAKER MODEL NO. SC-N11)



10-JAA21310AAL

**OVF460 SINGLE DRIVE
THERMAL RELAY
JPN, CEN VERSION**



<NOTE>

ADDITIONAL VALUES FOLLOWING THE MODEL TYPE INDICATE MINIMUM SETABLE CURRENTS (A) OF THIS THERMAL RELAY.

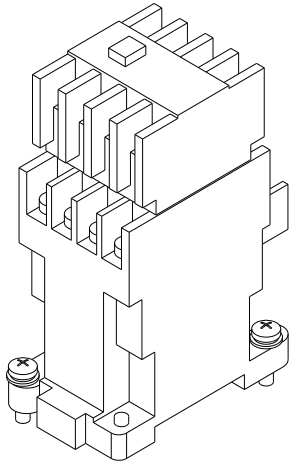
THEREFORE, THIS THERMAL RELAY SHOULD BE SELECTED DEPENDING ON LINE VOLTAGE, MACHINE TYPE, AND FREQUENCY.

REFER TO TABLE SHOWN BELOW.

Machine	Line Voltage	Frequency	Thermal Relay Type (THB1 / 2)	Current Setting Range (A)	Set Currents (A)	
40T	380V	50Hz / 60Hz	TR - 0NH / 3 - 0.48A	0.48 ~ 0.72	0.6	
	400V	50Hz / 60Hz			0.6	
	440V	50Hz / 60Hz			0.6	
	480V	50Hz / 60Hz			0.5	
70T	380V	50Hz	TR - 0NH / 3 - 1.4A	1.4 ~ 2.2	1.5	
		60Hz	TR - 0NH / 3 - 0.95A TR - 0NH / 3 - 1.4A	0.95 ~ 1.45 1.4 ~ 2.2	1.3 2.0	
	400V	50Hz	TR - 0NH / 3 - 1.4A	1.4 ~ 2.2	1.5	
		60Hz	TR - 0NH / 3 - 0.95A	0.95 ~ 1.45	1.3 1.27	
	440V	50Hz	TR - 0NH / 3 - 1.4A	1.4 ~ 2.2	1.6 1.3	
		60Hz	TR - 0NH / 3 - 0.95A	0.95 ~ 1.45	1.4 1.33	
	480V	50Hz	TR - 0NH / 3 - 0.95A TR - 0NH / 3 - 1.4A	0.95 ~ 1.45 1.4 ~ 2.2	1.1 1.5	
		60Hz	TR - 0NH / 3 - 1.4A	1.4 ~ 2.2	1.5	
	100T	380V	50Hz	TR - 0NH / 3 - 1.7A	1.7 ~ 2.6	2.2
			60Hz	TR - 0NH / 3 - 1.7A TR - 0NH / 3 - 1.4A	1.7 ~ 2.6 1.4 ~ 2.2	2.0
		400V	50Hz	TR - 0NH / 3 - 1.7A	1.7 ~ 2.6	2.2
			60Hz	TR - 0NH / 3 - 1.7A TR - 0NH / 3 - 1.4A	1.7 ~ 2.6 1.4 ~ 2.2	2.0
440V		50Hz	TR - 0NH / 3 - 1.7A	1.7 ~ 2.6	2.3 2.0	
		60Hz	TR - 0NH / 3 - 1.4A	1.4 ~ 2.2	2.1 2.0	
480V		50Hz	TR - 0NH / 3 - 1.4A	1.4 ~ 2.2	1.8 1.9	
		60Hz			2.0 1.5	

OVF460 TANDEM DRIVE THERMAL RELAY JPN, CEN VERSION

10-JAA21310AAL



<NOTE>

ADDITIONAL VALUES FOLLOWING THE MODEL TYPE INDICATE MINIMUM SETABLE CURRENTS (A) OF THIS THERMAL RELAY.

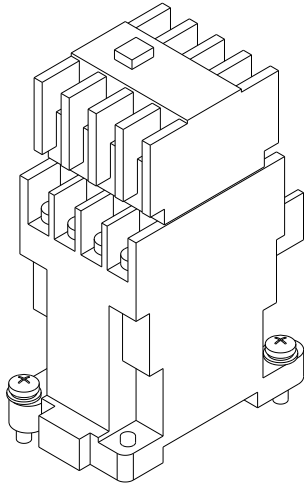
THEREFORE, THIS THERMAL RELAY SHOULD BE SELECTED DEPENDING ON LINE VOLTAGE, MACHINE TYPE, AND FREQUENCY.

REFER TO TABLE SHOWN BELOW.

Machine	Line Voltage	Frequency	Thermal Relay Type (THB1 / 2)	Current Setting Range (A)	Set Currents (A)
70T	380V	50Hz	TR - 0NH / 3 - 1.4A	1.4 ~ 2.2	1.5
		60Hz	TR - 0NH / 3 - 1.4A TR - 0NH / 3 - 0.95A	1.4 ~ 2.2 0.95 ~ 1.45	1.4 1.3
	400V	50Hz	TR - 0NH / 3 - 1.4A	1.4 ~ 2.2	1.5
		60Hz	TR - 0NH / 3 - 1.4A TR - 0NH / 3 - 0.95A	1.4 ~ 2.2 0.95 ~ 1.45	1.4 1.3
	440V	50Hz	TR - 0NH / 3 - 1.4A	1.4 ~ 2.2	1.6
		60Hz			1.4
	480V	50Hz	TR - 0NH / 3 - 0.95A	0.95 ~ 1.45	1.1
		60Hz	TR - 0NH / 3 - 0.95A TR - 0NH / 3 - 1.4A	0.95 ~ 1.45 1.4 ~ 2.2	1.45 1.5
100T	380V	50Hz	TR - 0NH / 3 - 1.7A	1.7 ~ 2.6	2.2
		60Hz	TR - 0NH / 3 - 1.7A TR - 0NH / 3 - 1.4A	1.7 ~ 2.6 1.4 ~ 2.2	2.0
	400V	50Hz	TR - 0NH / 3 - 1.7A	1.7 ~ 2.6	2.2
		60Hz	TR - 0NH / 3 - 1.7A TR - 0NH / 3 - 1.4A	1.7 ~ 2.6 1.4 ~ 2.2	2.0
	440V	50Hz	TR - 0NH / 3 - 1.7A	1.7 ~ 2.6	2.3
		60Hz			2.1
	480V	50Hz	TR - 0NH / 3 - 1.4A	1.4 ~ 2.2	1.8
		60Hz			2.0

10-JAA21310AAL

**OVF460 SINGLE DRIVE
THERMAL RELAY
CSA VERSION**



<NOTE>

ADDITIONAL VALUES FOLLOWING THE MODEL TYPE INDICATE MINIMUM SETABLE CURRENTS (A) OF THIS THERMAL RELAY.

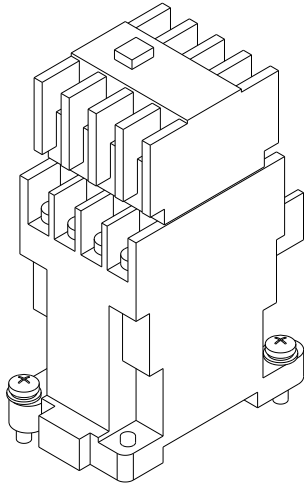
THEREFORE, THIS THERMAL RELAY SHOULD BE SELECTED DEPENDING ON LINE VOLTAGE, MACHINE TYPE, AND FREQUENCY.

REFER TO TABLE SHOWN BELOW.

Machine	Line Voltage	Frequency	Thermal Relay Type (THB1 / 2)	Current Setting Range (A)	Set Currents (A)
40T	480V	50Hz	TR - 0NH / 3 - 0.48A TR - 0NH / 3 - 0.64A	0.48 ~ 0.72 0.64 ~ 0.96	0.5 0.83
		60Hz	TR - 0NH / 3 - 0.48A	0.48 ~ 0.72	0.5
70T	480V	50Hz	TR - 0NH / 3 - 0.95A	0.95 ~ 1.45	1.1
		60Hz	TR - 0NH / 3 - 1.4A	1.4 ~ 2.2	1.5
100T	480V	50Hz	TR - 0NH / 3 - 1.4A	1.4 ~ 2.2	1.8
		60Hz	TR - 0NH / 3 - 1.4A	1.4 ~ 2.2	2.0 1.5

OVF460 TANDEM DRIVE THERMAL RELAY CSA VERSION

10-JAA21310AAL



<NOTE>

ADDITIONAL VALUES FOLLOWING THE MODEL TYPE INDICATE MINIMUM SETABLE CURRENTS (A) OF THIS THERMAL RELAY.

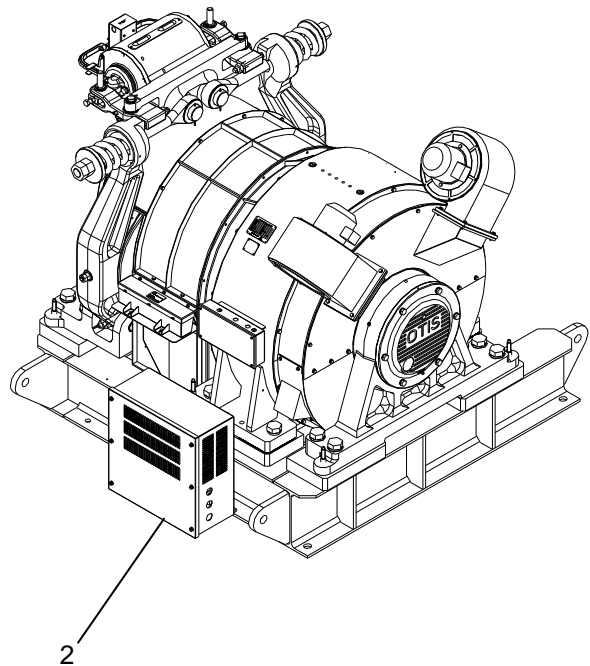
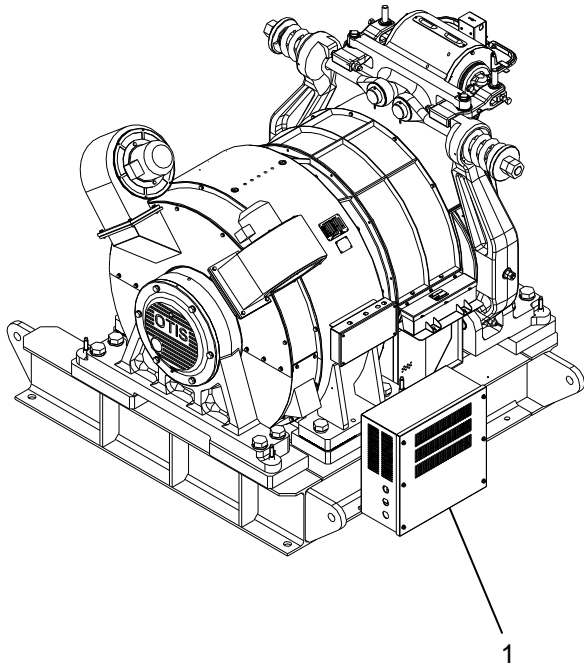
THEREFORE, THIS THERMAL RELAY SHOULD BE SELECTED DEPENDING ON LINE VOLTAGE, MACHINE TYPE, AND FREQUENCY.

REFER TO TABLE SHOWN BELOW.







Machine	Line Voltage	Frequency	Thermal Relay Type (THB1 / 2)	Current Setting Range (A)	Set Currents (A)
70T	480V	50Hz	TR - 0NH / 3 - 0.95A	0.95 ~ 1.45	1.1
		60Hz	TR - 0NH / 3 - 1.4A	1.4 ~ 2.2	1.5
100T	480V	50Hz	TR - 0NH / 3 - 1.4A	1.4 ~ 2.2	1.8
		60Hz			2.0

10-JAA21310AAL

OVF460 SINGLE DRIVE MOTOR FILTER BOX

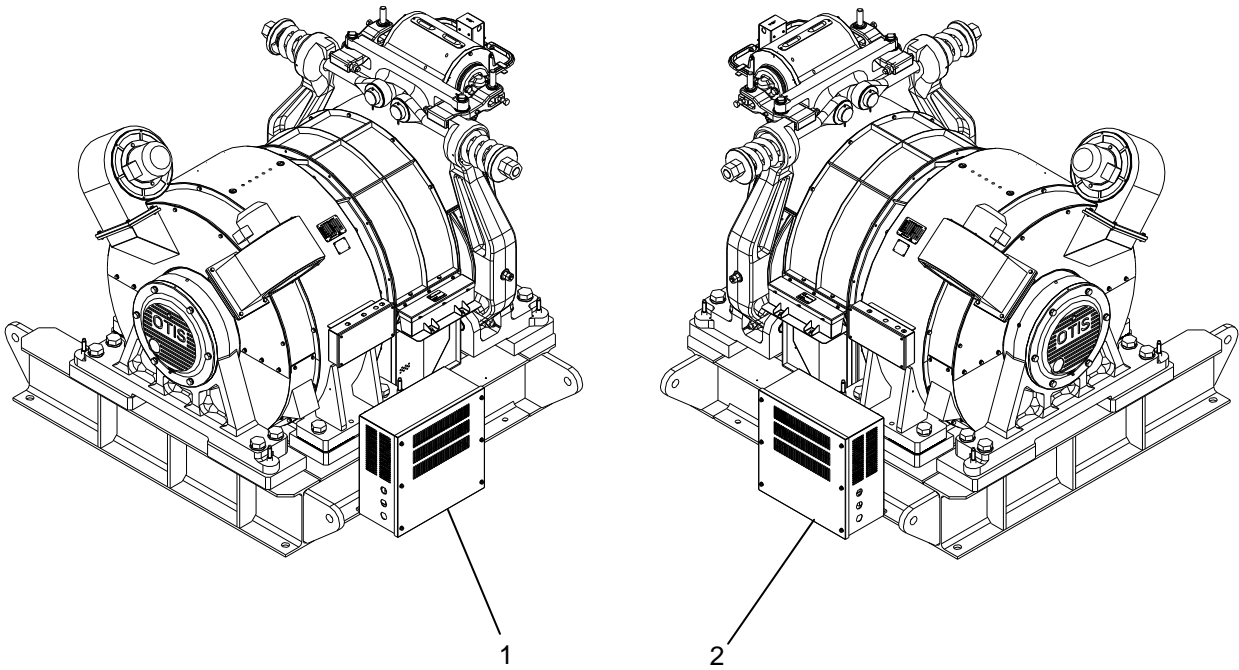






J_A21310AA

REF. NO.	Motor Filter Box Ass'y No.	Machine Type	Filter Box Hand	DESCRIPTION	REMARKS
1	JBA21310AAN1	40T		E - 82G "D" (GLAY)	 PAGE 46
	JBA21310AAN2			RAL5019 (UT BLUE)	
	JBA21310AAN3			RAL5019 (CAPRI BLUE) WITH LEATHER TOUCH	
	JBA21310AAR1 JCA21310AAR1	70T, 100T		E - 82G "D" (GLAY)	 PAGE 47
	JBA21310AAR2 JCA21310AAR2			RAL5019 (UT BLUE)	
	JBA21310AAR3 JCA21310AAR3			RAL5019 (CAPRI BLUE) WITH LEATHER TOUCH	
2	JBA21310AAP1	40T		E - 82G "D" (GLAY)	 PAGE 48
	JBA21310AAP2			RAL5019 (UT BLUE)	
	JBA21310AAP3			RAL5019 (CAPRI BLUE) WITH LEATHER TOUCH	
	JBA21310AAS1 JCA21310AAS1	70T, 100T		E - 82G "D" (GLAY)	 PAGE 49
	JBA21310AAS2 JCA21310AAS2			RAL5019 (UT BLUE)	
	JBA21310AAS3 JCA21310AAS3			RAL5019 (CAPRI BLUE) WITH LEATHER TOUCH	

OVF460 TANDEM DRIVE MOTOR FILTER BOX

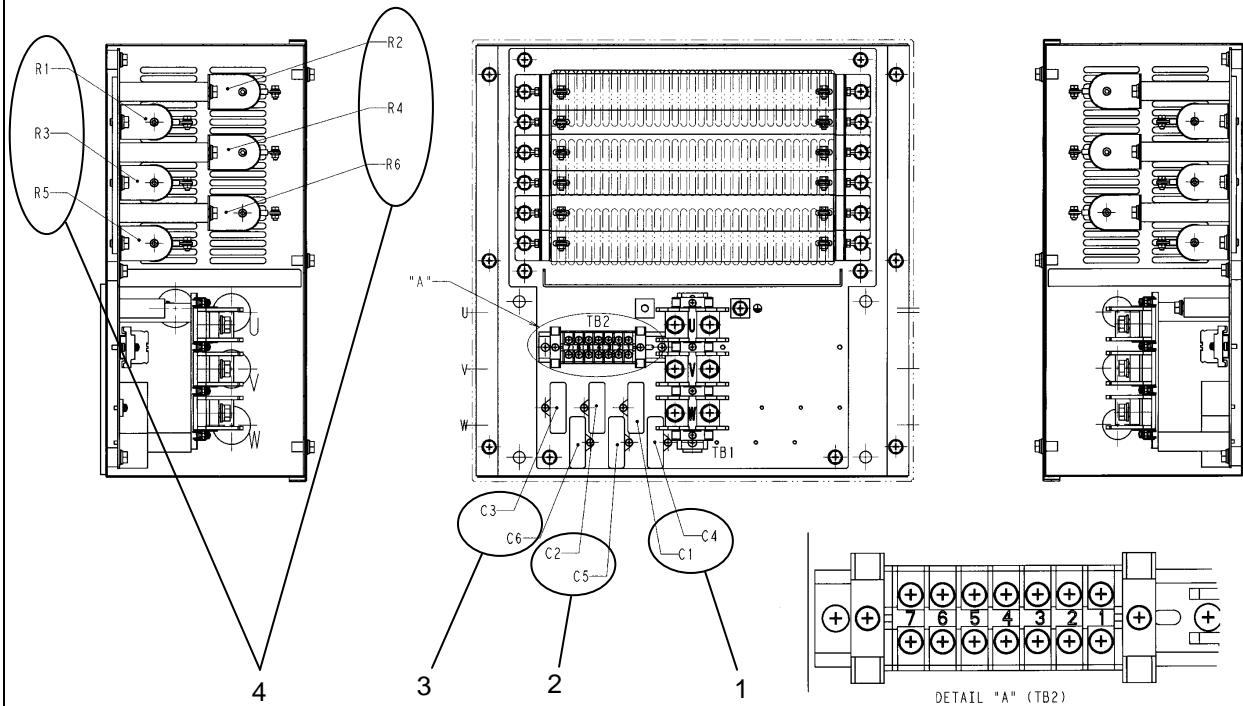
10-JAA21310AAL



JAA21310ABD_					
REF. NO.	Motor Filter Box Ass'y No.	Machine Type	Filter Box Hand	DESCRIPTION	REMARKS
1	JAA21310ABD1	70T, 100T		E - 82G "D" (GLAY)	 PAGE 50
	JAA21310ABD2			RAL5019 (UT BLUE)	
	JAA21310ABD3			RAL5019 (CAPRI BLUE) WITH LEATHER TOUCH	
2	JAA21310ABD4			E - 82G "D" (GLAY)	 PAGE 51
	JAA21310ABD5			RAL5019 (UT BLUE)	
	JAA21310ABD6			RAL5019 (CAPRI BLUE) WITH LEATHER TOUCH	

10-JAA21310AAL

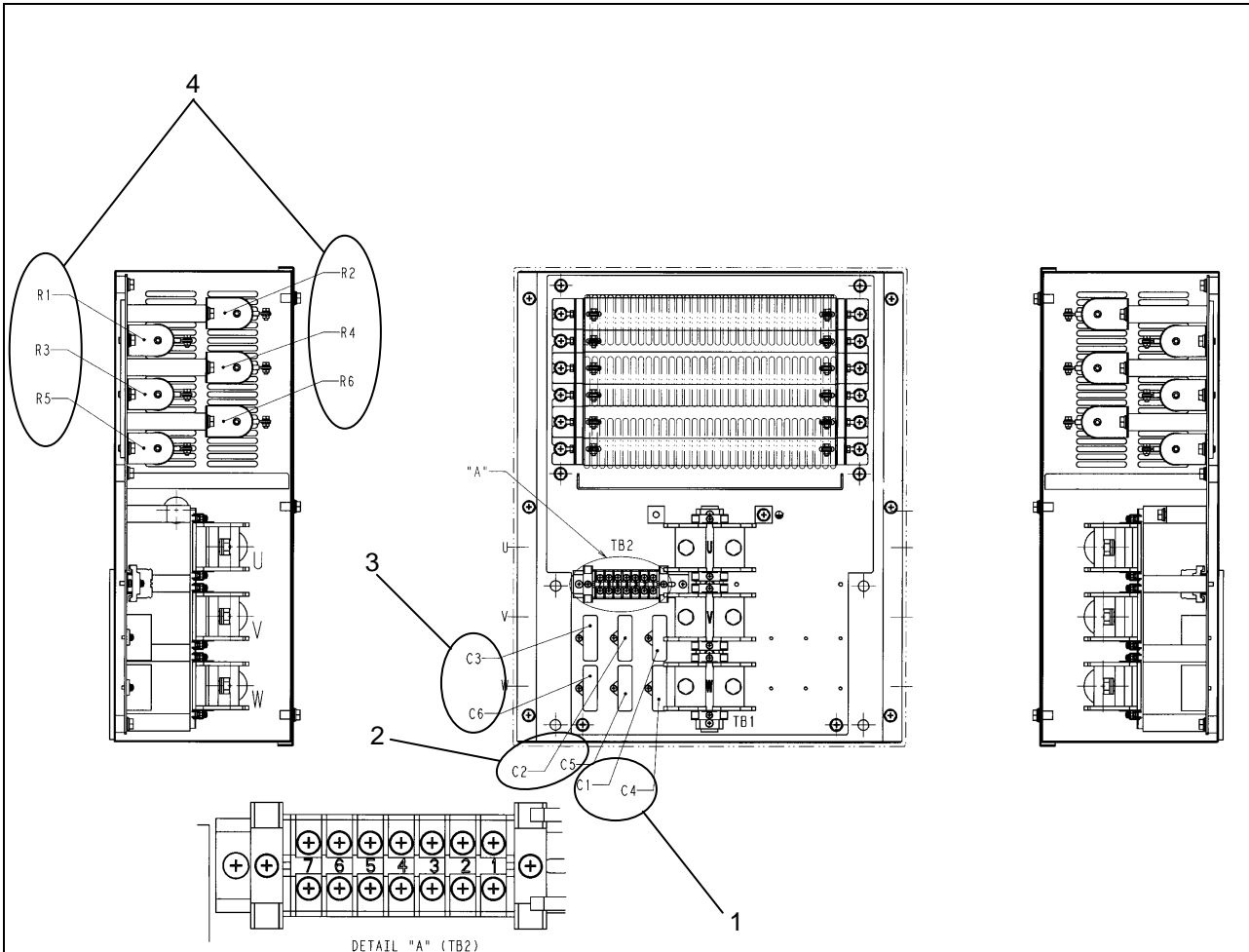
**OVF460 SINGLE DRIVE
MOTOR FILTER BOX
40T Machine **RIGHT HAND****



JBA21310AAN				
REF. NO.	PART or ML	DESCRIPTION	SYMBOL	QTY.
1	JAA174FVH15	CAPACITOR (2) JAA226AKX1)	C1, C4	1
2	JAA174FVH16	CAPACITOR (2) JAA226AKX1)	C2, C5	1
3	JAA174FVH17	CAPACITOR (2) JAA226AKX1)	C3, C6	1
4	JAA232AGV1	RESISTOR	R1 – R6	6

OVF460 SINGLE DRIVE MOTOR FILTER BOX 70T, 100T Machine RIGHT HAND

10-JAA21310AAL

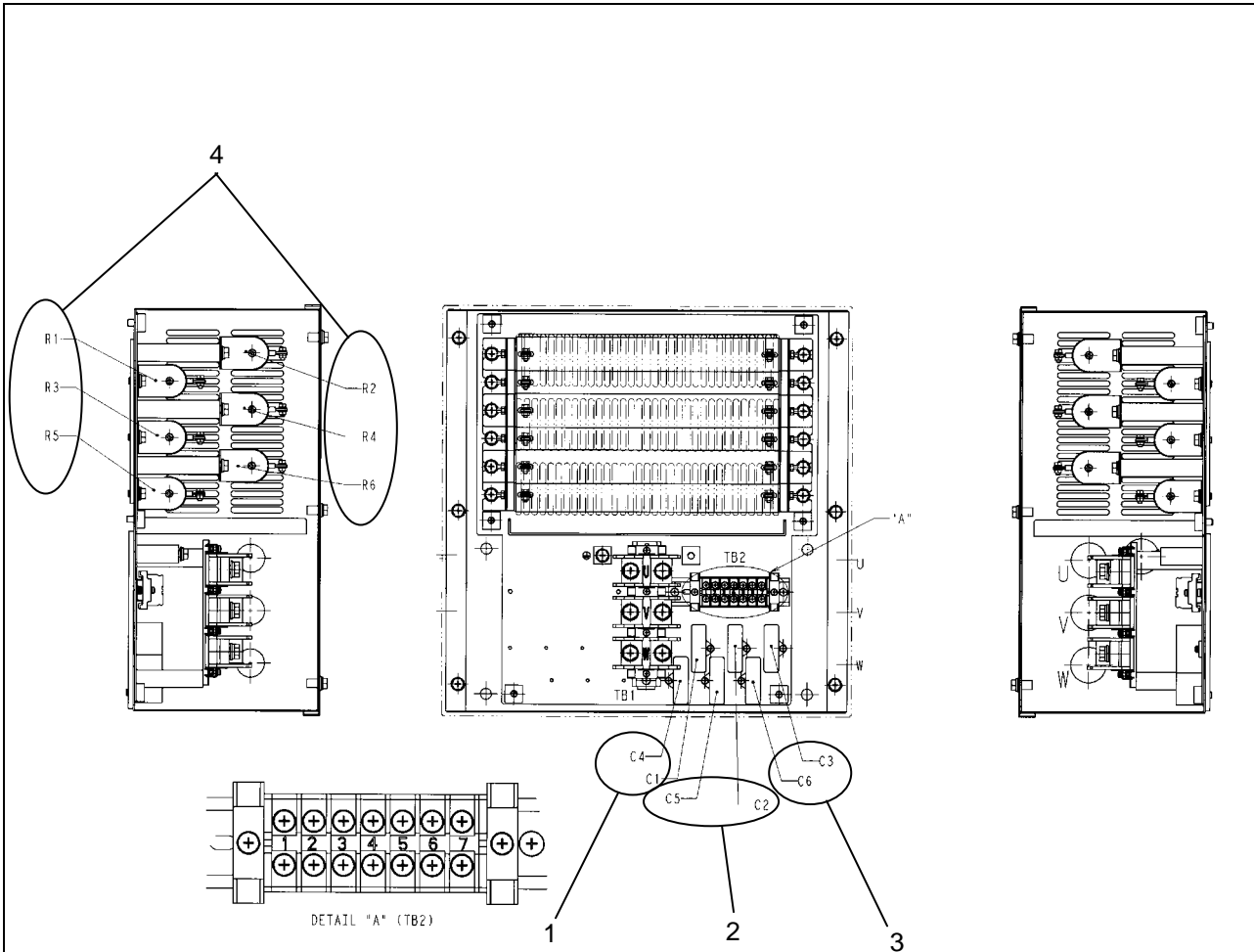


**JBA21310AAR
JCA21310AAR**

REF. NO.	PART or ML	DESCRIPTION	SYMBOL	QTY.
1	JAA174FVH9	CAPACITOR ((2) JAA226AKX1)	C1, C4	1
2	JAA174FVH10	CAPACITOR ((2) JAA226AKX1)	C2, C5	1
3	JAA174FVH11	CAPACITOR ((2) JAA226AKX1)	C3, C6	1
4	JAA232AGV1	RESISTOR	R1 – R6	6

10-JAA21310AAL

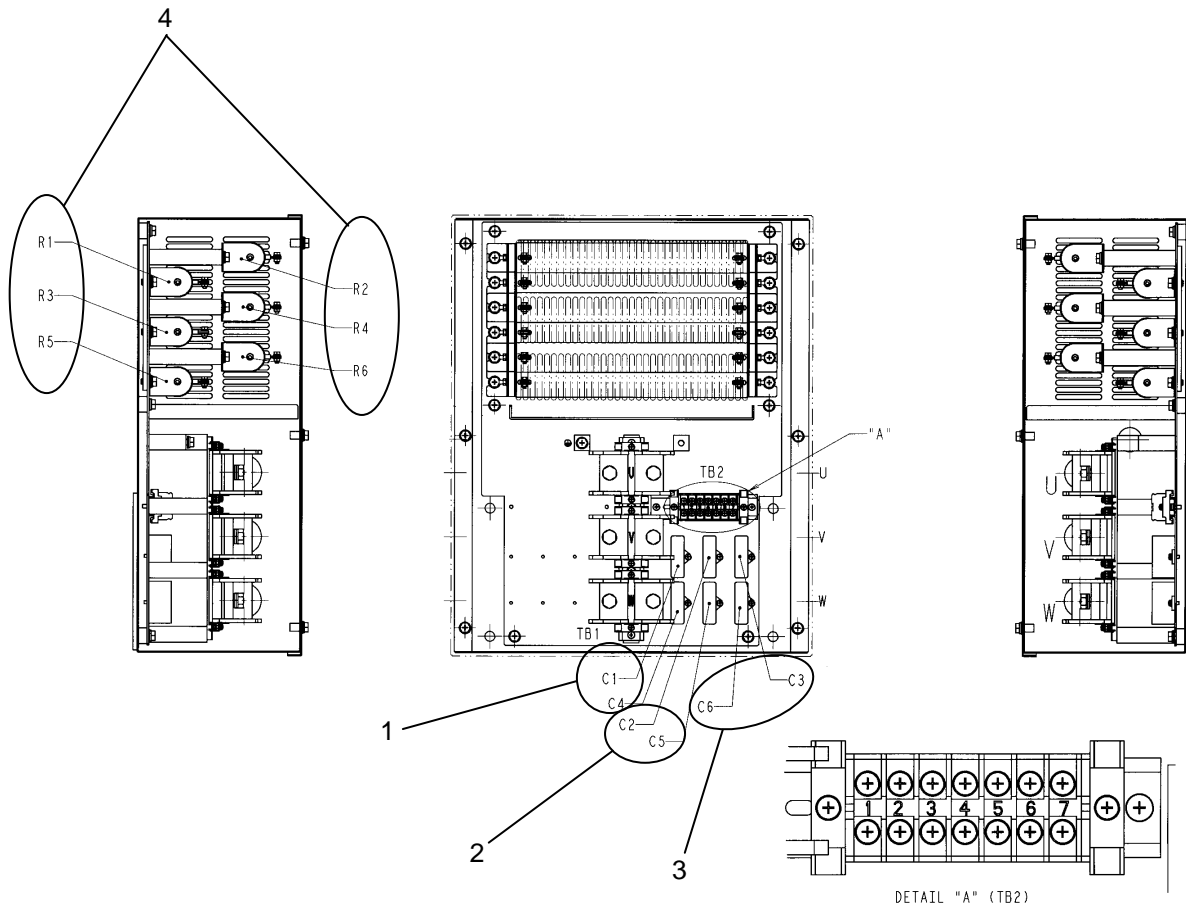
**OVF460 SINGLE DRIVE
MOTOR FILTER BOX
40T Machine LEFT HAND**



JBA21310AAP				
REF. NO.	PART or ML	DESCRIPTION	SYMBOL	QTY.
1	JAA174FVH18	CAPACITOR ((2) JAA226AKX1)	C1, C4	1
2	JAA174FVH19	CAPACITOR ((2) JAA226AKX1)	C2, C5	1
3	JAA174FVH20	CAPACITOR ((2) JAA226AKX1)	C3, C6	1
4	JAA232AGV1	RESISTOR	R1 – R6	6

OVF460 SINGLE DRIVE MOTOR FILTER BOX 70T, 100T Machine LEFT HAND

10-JAA21310AAL

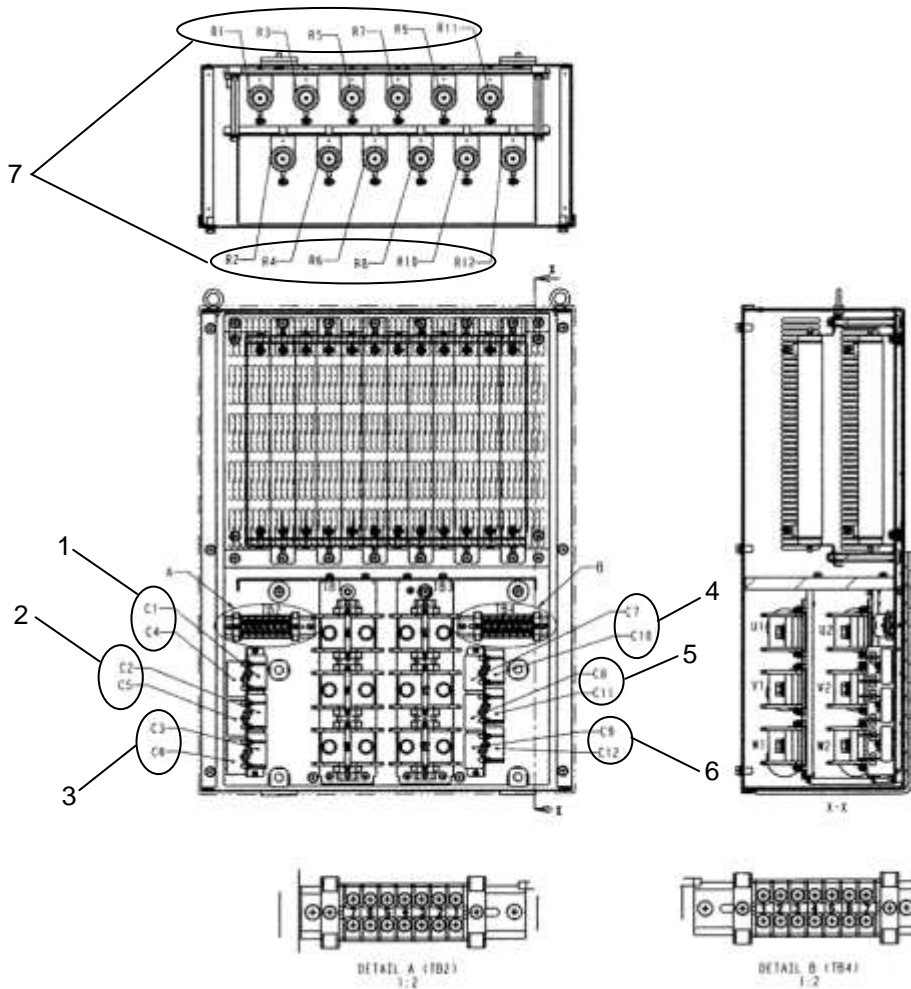


**JBA21310AAS
JCA21310AAS**

REF. NO.	PART or ML	DESCRIPTION	SYMBOL	QTY.
1	JAA174FVH12	CAPACITOR ((2) JAA226AKX1)	C1, C4	1
2	JAA174FVH13	CAPACITOR ((2) JAA226AKX1)	C2, C5	1
3	JAA174FVH14	CAPACITOR ((2) JAA226AKX1)	C3, C6	1
4	JAA232AGV1	RESISTOR	R1 – R6	6

10-JAA21310AAL

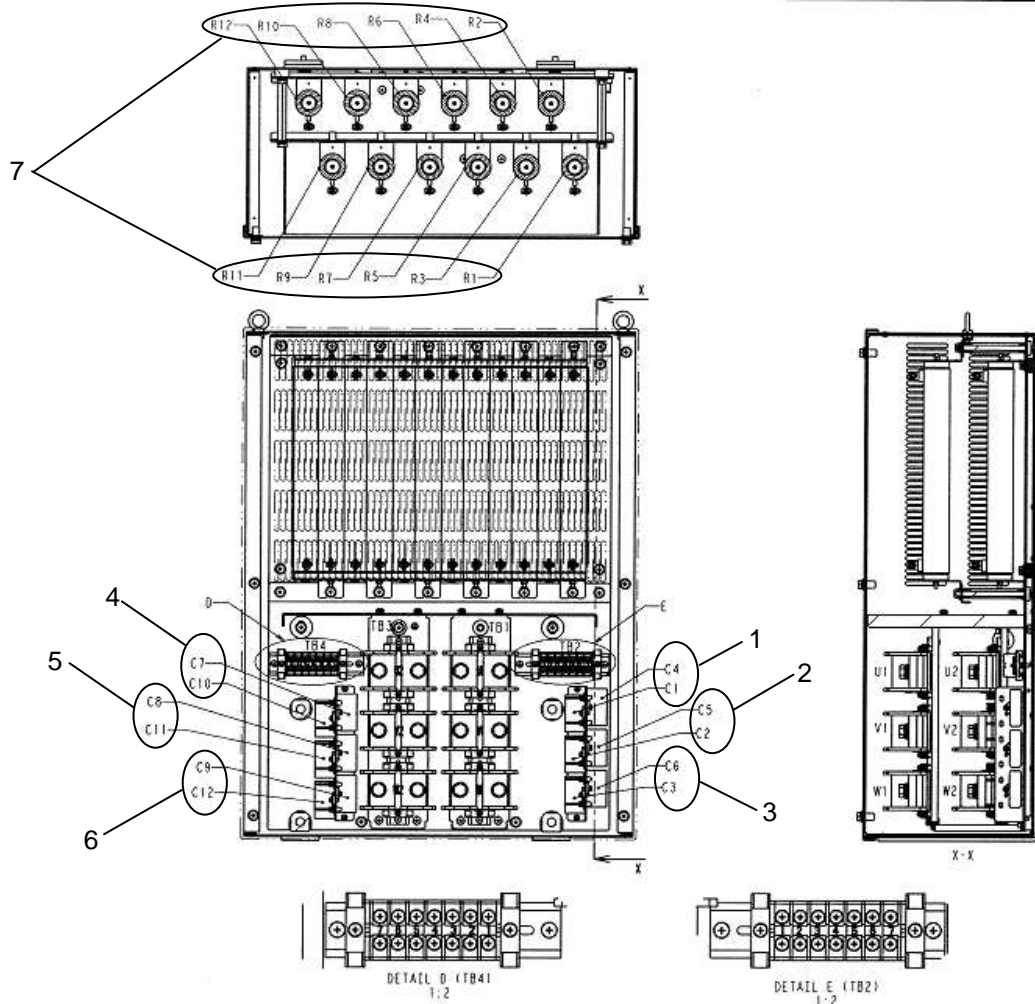
**OVF460 TANDEM DRIVE
MOTOR FILTER BOX
70T, 100T Machine
RIGHT HAND**



REF. NO.	PART or ML	DESCRIPTION	SYMBOL	QTY.
1	JAA174JRB17	CAPACITOR ((2) JAA226AKX2)	C1, C4	1
2	JAA174JRB18	CAPACITOR ((2) JAA226AKX2)	C2, C5	1
3	JAA174JRB19	CAPACITOR ((2) JAA226AKX2)	C3, C6	1
4	JAA174JRB20	CAPACITOR ((2) JAA226AKX2)	C7, C10	1
5	JAA174JRB21	CAPACITOR ((2) JAA226AKX2)	C8, C11	1
6	JAA174JRB22	CAPACITOR ((2) JAA226AKX2)	C9, C12	1
7	JAA232AGV1	RESISTOR	R1 - R12	12

OVF460 TANDEM DRIVE MOTOR FILTER BOX 70T, 100T Machine LEFT HAND

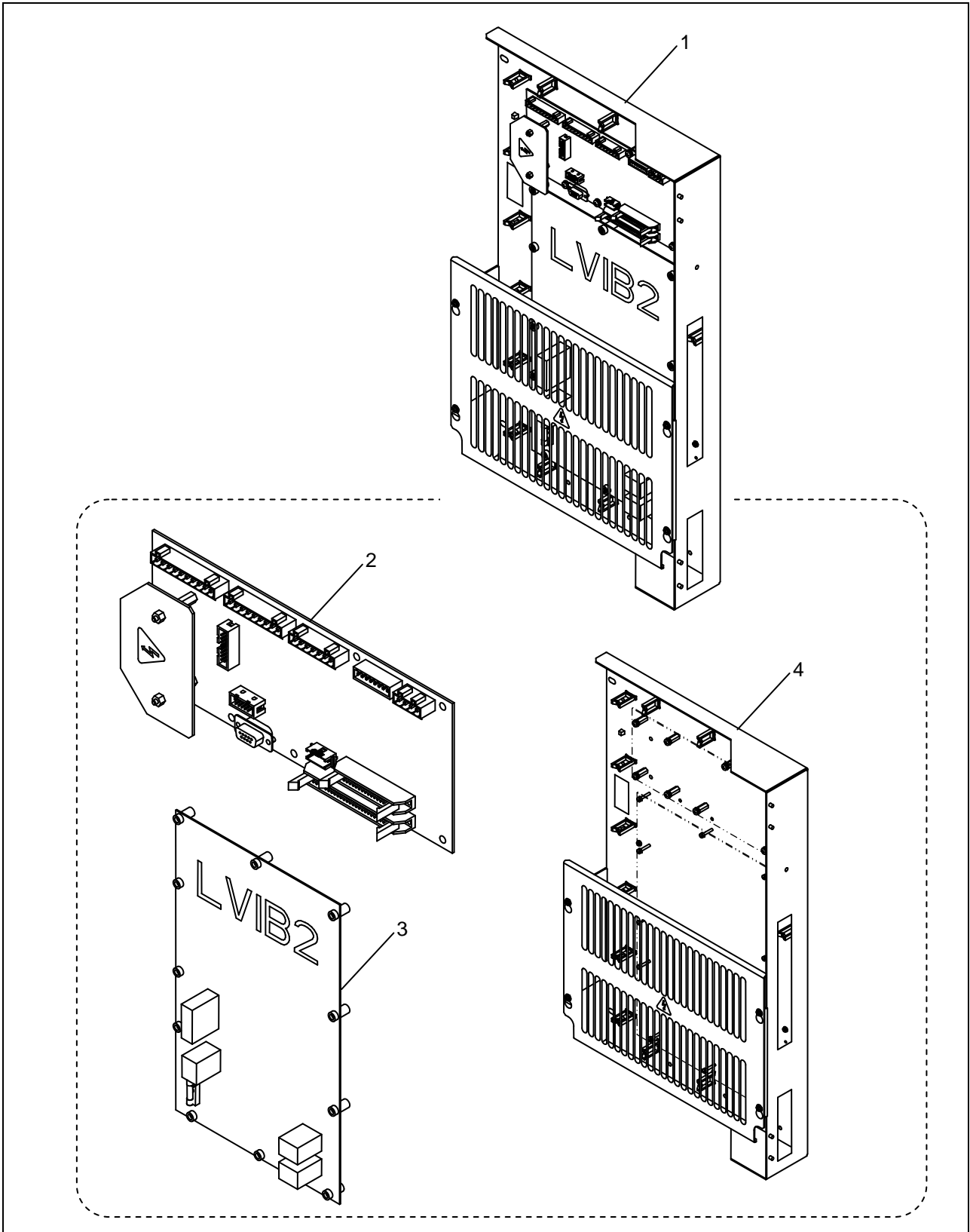
10-JAA21310AAL



JAA21350AAZ				
REF. NO.	PART or ML	DESCRIPTION	SYMBOL	QTY.
1	JAA174JRB17	CAPACITOR ((2) JAA226AKX2)	C1, C4	1
2	JAA174JRB18	CAPACITOR ((2) JAA226AKX2)	C2, C5	1
3	JAA174JRB19	CAPACITOR ((2) JAA226AKX2)	C3, C6	1
4	JAA174JRB20	CAPACITOR ((2) JAA226AKX2)	C7, C10	1
5	JAA174JRB21	CAPACITOR ((2) JAA226AKX2)	C8, C11	1
6	JAA174JRB22	CAPACITOR ((2) JAA226AKX2)	C9, C12	1
7	JAA232AGV1	RESISTOR	R1 - R12	12

10-JAA21310AAL

LVIB / Processor Board Replacing kit



LVIB / Processor Board Replacing kit

10-JAA21310AAL

REF. NO.	PART or ML	DESCRIPTION	REMARKS
1	JAA27078CZA2 JCA27078CZA2	OVF460G KIT W/CONSTANT CABLE	40T, 70T, 100T (CEN / CSA)
	JCA27078CTN3 JDA27078CTN3	OVF460G KIT W/CONSTANT CABLE	40T, 70T, 100T (JPN)
2	JAA26807CHC128	GDCB	
3	JCA26807CBL4 JCA26807CBL4	LVIB2	CEN / CSA
	JCA26807CBL5	LVIB2	JPN
4	JCA27078CTN13 JDA27078CTN13	CONSTANT PARTS	CEN / CSA / JPN