

**Elevonic® 401
Group-Car & Car
Controller**

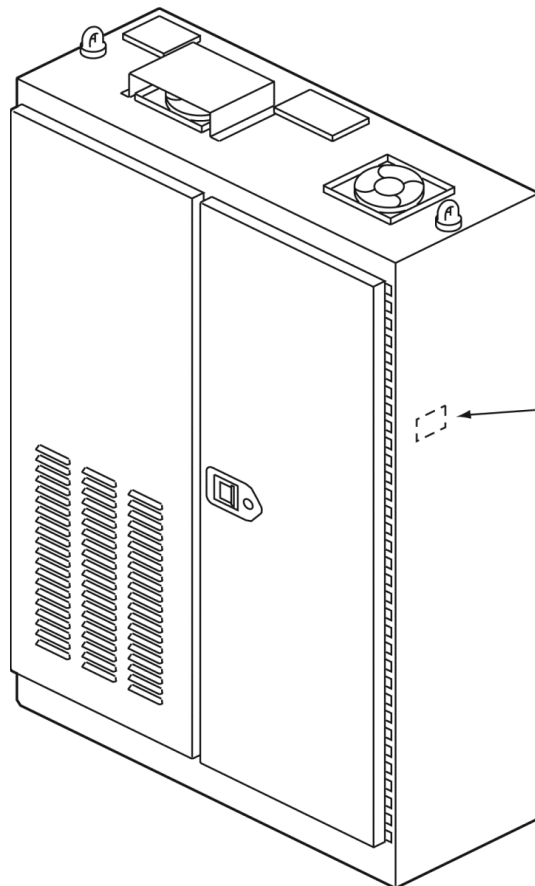
Spare Parts Leaflet

10-HT206100

April 2, 2025 / Page 1 of 27

OBSOLESCENCE NOTICE

The product listed in this SPL is obsolete. Some components may still be available, but Otis recommends an upgrade (see TIP 32.2-1 for potential upgrade.)



10	HT206100-*	
Y	VINTAGE	Y 01

10	HT206400-*	
Y	VINTAGE	Y 01



This document does not contain any technical data subject to EAR or ITAR

SERVICE ENGINEERING
Otis Elevator Company
Bloomfield, Connecticut USA

Unpublished Work—© Otis Elevator Co.; 2025

Leaflet Description

This leaflet describes the service parts for the Elevonic® 401 group-car and car controller. The HT206100 / HT206400 vintage of controllers was manufactured starting in late 1989. If the elevator vintage tag has an earlier manufacture date, or if the vintage tag is marked HT203100-1, refer to SPL 10-HT203100-1.

Leaflet Revisions

Date Revised	Subject Matter Expert	Reason for Revision
September 1, 1992	Jeff Costley, Technical Writer	Initial preparation of SPL
July 1, 1997	Ali Bozorgzadeh	Unknown
June 1, 1999	B. Greenfield	Update parts, add history page
June 22, 1999	Jeff Costley, Technical Writer	Add missing transformer fuses: F1-F2, F21-F24
March 27, 2008	Ali Bozorgzadeh	Update part numbers p. 18
March 17, 2010	Asif Hassan	Update PET and processor board information pp 20–21
December 14, 2011	Matt Fournier	Updated information on p. 8
March 21, 2012	Bennie Murah	Updated for Compass 401X group Processor Board
September 21, 2022	Juan Murillo	Updated to include OBSOLESCENCE note on cover
April 2, 2025	Juan Murillo	Updated OBSOLESCENCE notice on p. 1.

Related Drawings

Drawing No.	Title	Drawing No.	Title
---	---	---	---

Related Documents

Document ID	Title
SPL 10-HT203100-1	Elevonic® 401 Car Controller, Ward-Leonard Direct Drive
SPL 31-7145E	E401® Top of Cab Interface Box
SPL 31-7145T	E401® Top of Cab Interface Box w/o Advanced Fixtures
SPL 31-7155A	E401® Car Operating Panel with Advanced Fixtures
TIP categories 1.1.3 & 1.1.5	

Subject Matter Expert



Name	Department
Ali Bozorgzadeh	OSC Electrical Engineering

Table of Contents

10-HT206100

PAGE NO.	DESCRIPTION
4	Definition of Duty Table
6	Transformers
7	Swing Panel Assembly, Front
8	Swing Panel Assembly, Rear
13	Fixed Panel Assembly
15	Fixed Panel Assembly, Fuses
17	Door Operator Panels
19	PC Cards, Chassis Assembly
20	PC Cards, Group
21	PC Cards, Car
22	PC Cards, Cables
23	Fixtures PC Cards Cables, HT206100 Only
24	Fixtures PC Cards Cables, Ht206400 Only
25	Air Conditioner Kit Assembly
26	Light Fixture Assembly
27	OSC Retrofit - OVL Door Panel Assembly (A10)

Definition of Duty Table

		UNITED TECHNOLOGIES				CSA STANDARD C22.2 NO. 14 AND ANSI/UL508	
				FILE LR45653			
				TYPE			
VOLTAGE		VAC		PHASE 1		AMPS	
CONTRACT NO.				FREQ		HZ	
D/T LINE		MODEL 401		P/N			
SERIAL NO.				C/N			

Duty Line Number

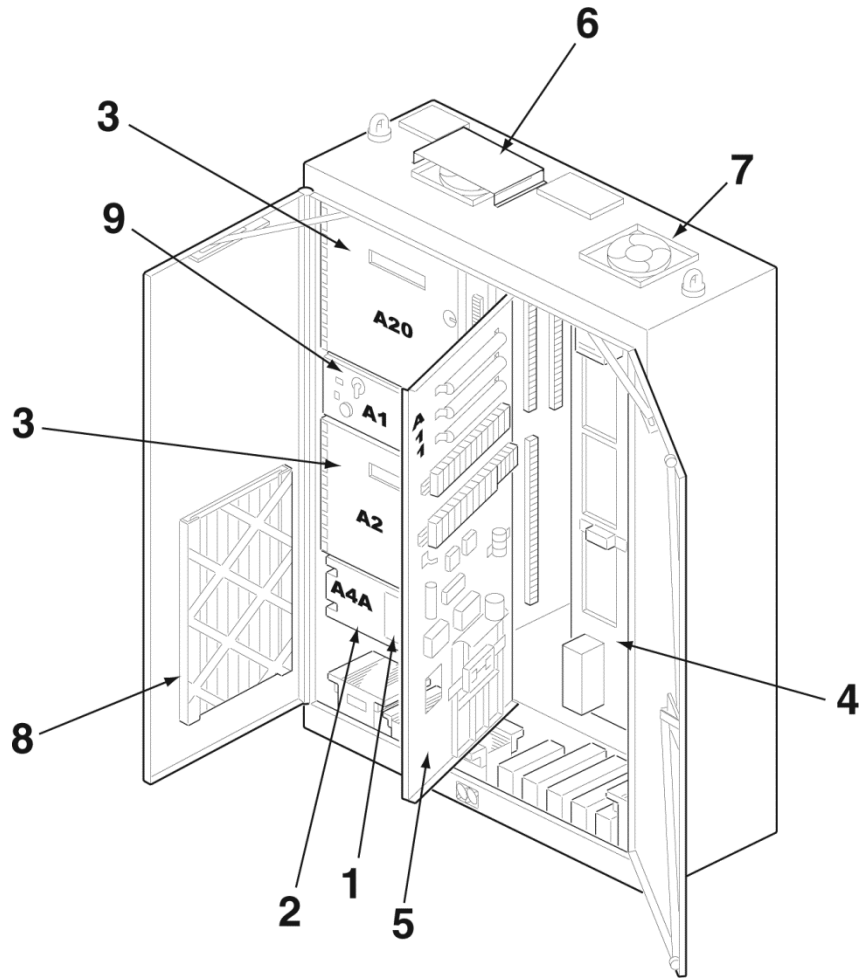
Within this document, some of the replacement parts are specific to a particular duty table line number (D/T). For your unit's duty line number, please refer to the information tag as shown above. The tag is located inside the controller's upper right side cabinet panel.

Dentro de este documento partes han sido especificadas para satisfacer los requisitos de sus instalaciones individuales para correctamente definir el numero de una parté refierase a el numero del "Duty Table Line Number, (D/T)" de la maquina indicado en la plancha de inentificación de su unidad como ilustrado arriba.

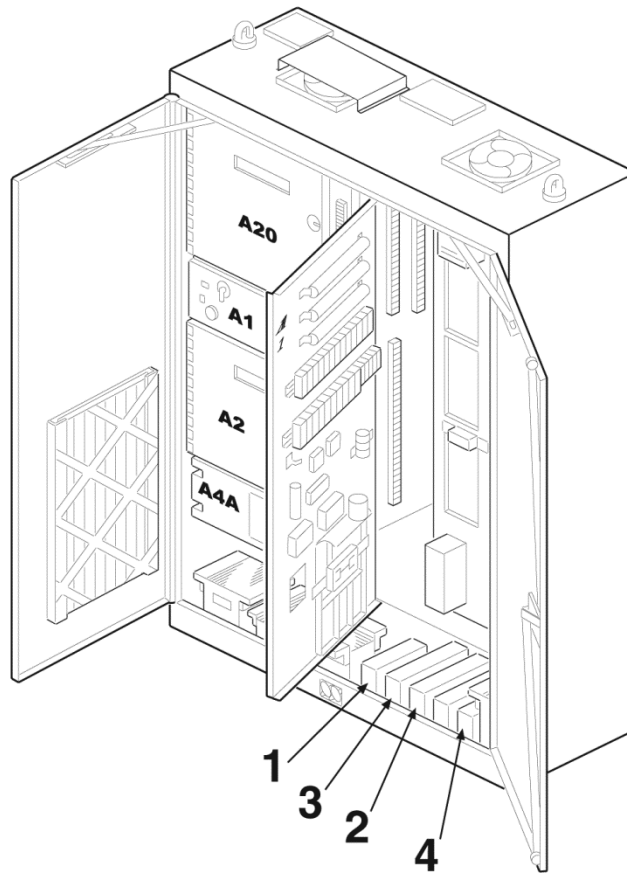
Les Pièces référencées dans ce document sont spécifique à l'installationsur laquelle elles doivent etre installeeps. Pour definir correctement un numero de piéce, se référer au "Duty Table Line Number, (D/T)" qui est indique sur la plaque d'identification de l'installation, comme ceci est indiqué ci dessus.

Major Parts and Sub-Assemblies

10-HT206100



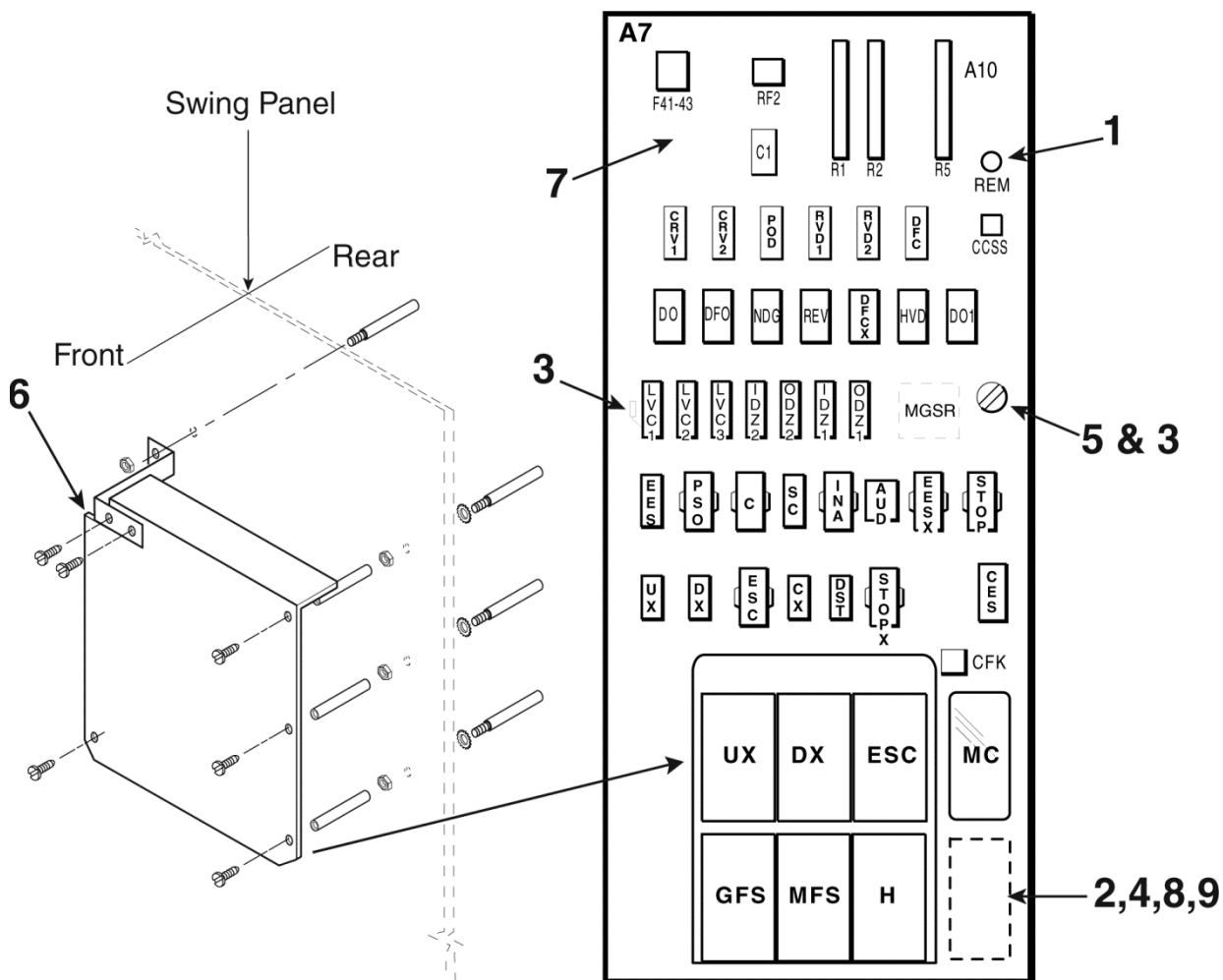
HT206100 HT206400			
REF. No.	PART OR M.L.	DESCRIPTION	Drawing (Ref.)
1	HT206020-2	Amplifier, Power, for Motor, Field/Brake, A4B	---
2	HT206412-1	Amplifier, Power, for W/L only, A4A	---
3	Not LRU Items	Assembly, Card File Chassis, Group A20, Car A2	HT204354-2
4		Assembly, Fixed Panel, A8 (HT206100 Only)	HT206050
		Assembly, Fixed Panel, A8 (HT206400 Only)	HT206330
5		Assembly, Swing Panel, A7 (HT206100 Only)	HT206326
		Assembly, Swing Panel, A7 (HT206400 Only)	HT205547
6	204030-1	Cover, Fan	---
7	HT202326-1	Fan	---
8	205363-1	Filter, Air (HT206100-1 only)	---
	HT206378-1	Filter, Air (HT206400-1 only)	---
9	205410-1	Power Supply, A1	---








HT206100 HT206400			
REF. No.	PART OR M.L.	DESCRIPTION	REMARKS / DUTY LINE
1	HT206310-1	Transformer, Car, 60 HZ, T2 (CMP)	200-240, 400-480 V
	HT206311-1	Transformer, Car, 60 HZ, T2 (CMP)	550 - 600 V
	HT206311-1	Transformer, Car, 50 HZ, T2 (CMP)	400 - 480 V
	HT206311-1	Transformer, Car, 50 HZ, T2 (CMP)	346 - 380 V
2	HT206014-2	Transformer, Generator Field, T4 (GF) Amps = >10	D/T=13, 14, 21, 24A, 25-27, 34, 39, 28, 35-37, 40-42
	HT206015-2	Transformer, Generator Field, T4 (GF) ≤Amps = -10	D/T=1, 2, 4-6, 8, 9, 15, 3, 3A, 7, 7A, 10-12, 15A-19
3	HT203131-1	Transformer, Group, T20 (GMPTRF)	200 - 240 VAC
	HT203132-1	Transformer, Group, T20 (GMPTRF)	346 - 380 VAC
	HT203133-1	Transformer, Group, T20 (GMPTRF)	400 - 480 VAC
	HT203141-1	Transformer, Group, T20, (GMPTRF)	550 - 600 VAC
4	HT206016-1	Transformer, Mtr. Fld/Brake, T1 (MF/B)	D/T=28,35-37,40-42
	HT206017-1	Transformer, Mtr. Fld/Brake, T1 (MF/B)	D/T=3, 3A, 7, 7A, 10-12, 15A-19, 22-24, 29-33, 38
	HT206018-1	Transformer, Mtr. Fld/Brake, T1 (MF/B)	D/T=1, 2, 4-6, 8, 9, 15
	HT203983-13	Varistor, 480 V Mount X1-X4 of T20	Group/Car only

Swing Panel Assembly - Front

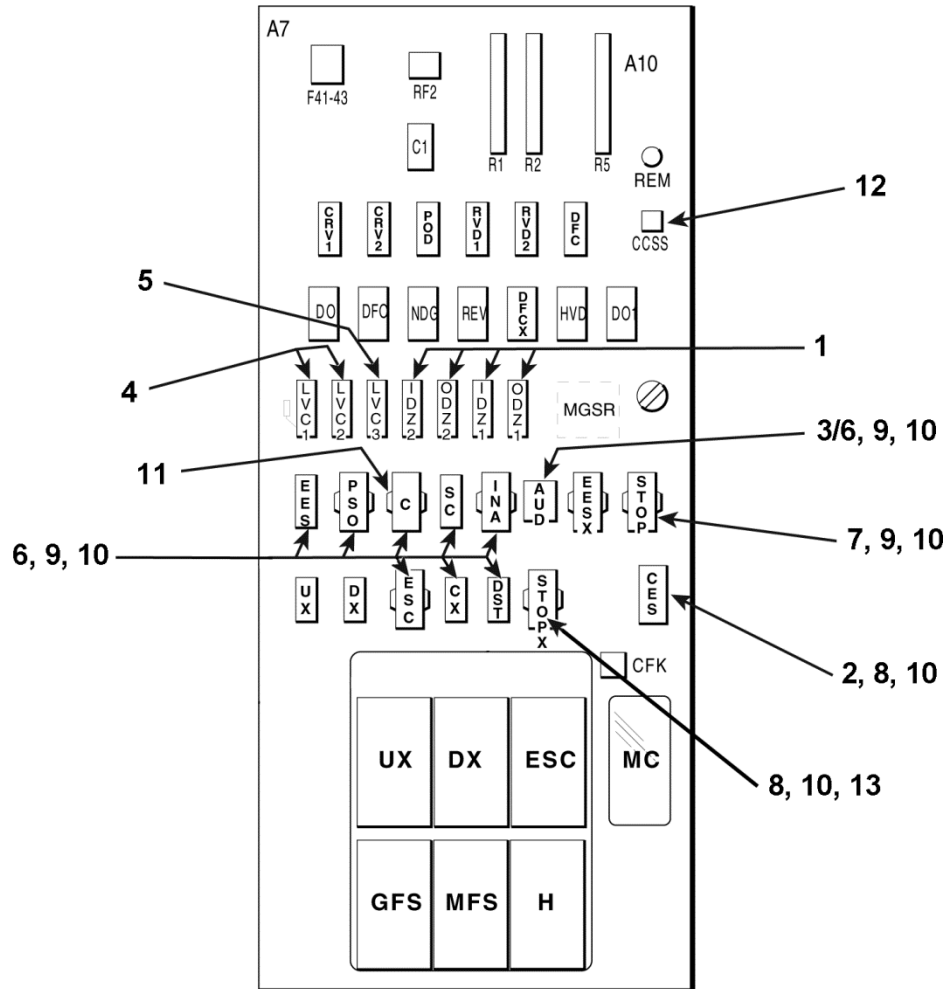
10-HT206100



**HT206100
HT206400**

REF. No.	PART OR M.L.	DESCRIPTION	REMARKS
1	HT206283-1	Assembly Cable, Remote Service Switch	
2	205560-1	Assembly CEN Option, consists of Refs. 8 & 9	CEN Option
3	AAA612T7	Diode	
4*	AAA612T7	Diode	1 per Relay
5	205931-1	Kit, Relay Assembly, MGSR	Option, E401M® only
6	AAA21305U1	Kit, Switch Guard + 	 TIP 1.1.3.1-88
7	205557-1	Option, Door Operator, OVL	A10  pages 17-18
	205559-1	Option, Door Operator, DOA	A14  pages 17-18
	205882-1	Option, Door Operator, GAL	A16  pages 17-18
8	P613AB1	Relay, 3-Pole, 110 VDC	K24, K254

Continued on Next Page

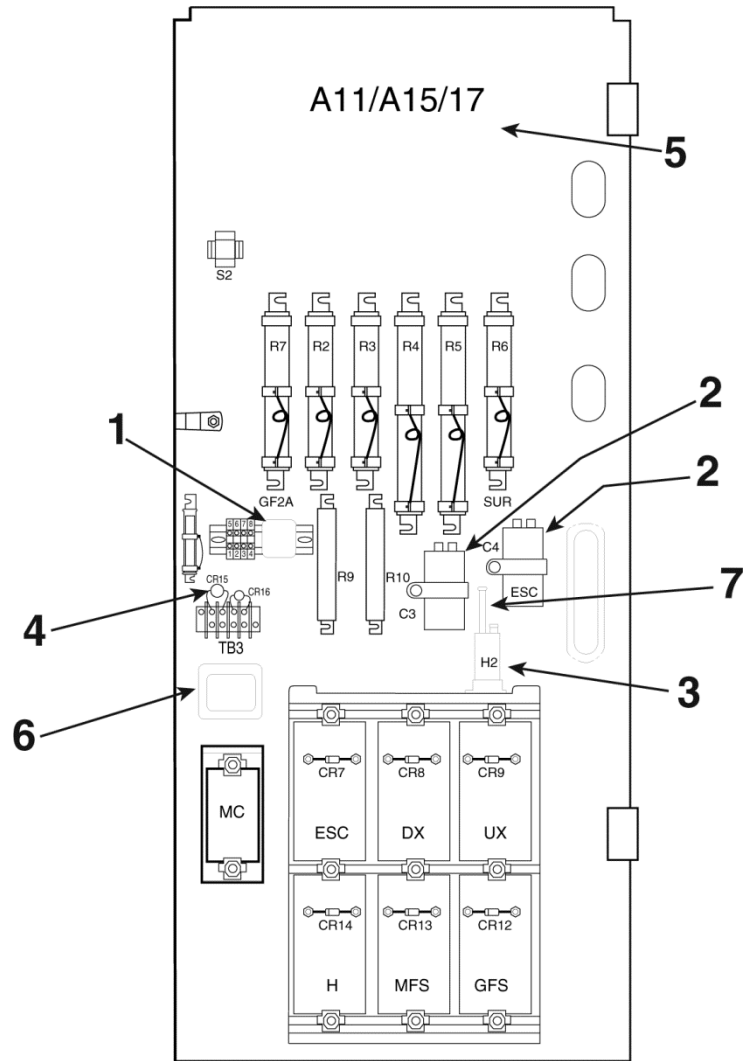


**HT206100
HT206400**

REF. No.	PART OR M.L.	DESCRIPTION	REMARKS
1	AAA00613AAC011	Relay, 120 VAC	IDZ2, ODZ2, IDZ1, ODZ1
2	630H3	Relay, 2-Pole, 100 VDC	CES
3	AAA00613AAK009	Relay, Control, 110 VDC, 8-Pole	AUD, (HT206400 only)
4	613CC1	Relay, Control, 110 VDC, 4-Pole	LVC1, LVC2
5	613CC1 + 613CD1	Relay, Control, 110 VDC, 8-Pole	LVC3 (613CD1 = Aux. Contact Block)
6	P613AB11	Relay, Power, 110 VDC, 3-Pole, Double Throw	EES, PSO, C, SC, INA, AUD, AUDX, DST, CX, ESC
7	P613AB12	Relay, Power, 3-Pole, 120 VAC	EESX, STOP
8	618AE2	Socket, Relay	For 630H3 and 630F4
9	27E893	Socket, Relay	for P613AB11 & 12
10	HT206272-2	Spring, Retainer	for P613AB11 & 12
11	P605E1	Suppressor	Mount on 'C' Relay
12	6073F1	Switch, Emergency Stop	S2
13	630F4	Relay, 115 VAC, 4-Pole	STOPX

Swing Panel Assembly - Rear

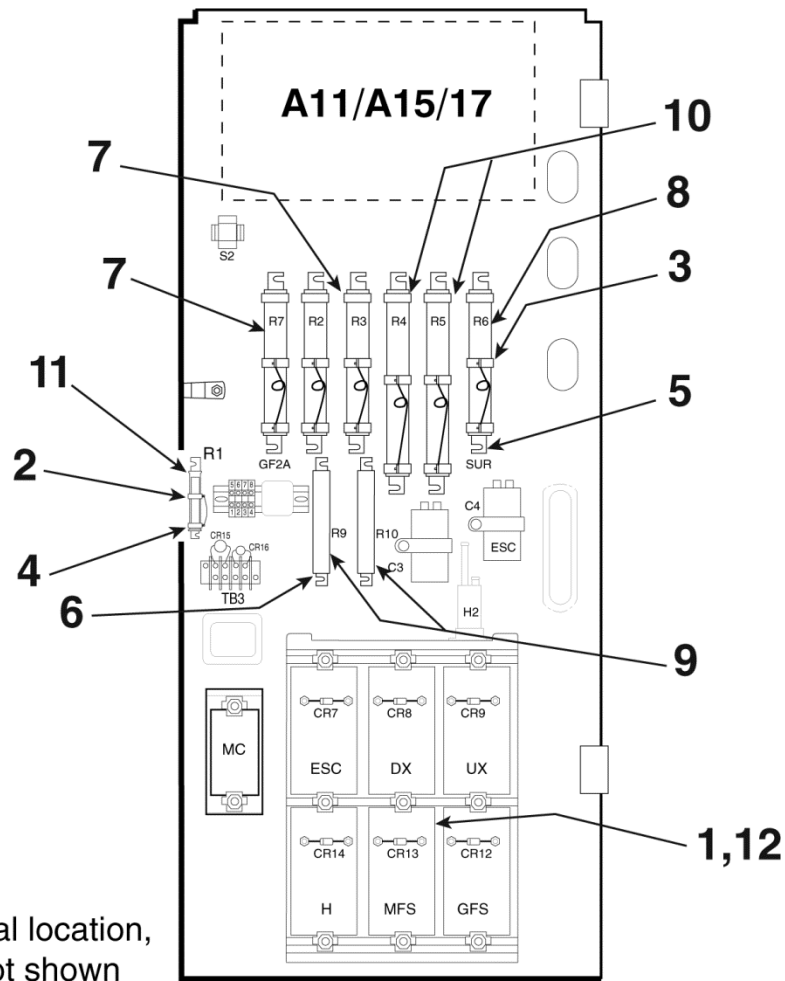
10-HT206100



HT206100
HT206400

REF. No.	PART OR M.L.	DESCRIPTION	REMARKS
1	205905-2	Assembly, Clock Interface Board	Car Controllers only
2	226W1	Condenser, 1600 μ F, 15 VDC, ESC	C3, (W/L only); C4, for D/T Lines: 28, 35-37, 40-42
3	226H3	Condenser w/Resistor (232AE1), 125 μ F, 150 VDC	H2
4	AAA612AF2	Diode, 400 V, 1.0 A	CR15
5	205558-1	Door Operator Option, Rear	OVL, A11 See pages 17-18
	205897-1	Door Operator Option, Rear	DOA, A15 See pages 17-18
	205883-1	Door Operator Option, Rear	GAL, A17 See pages 17-18
6	205908-2	Kit, Clock	Group/Car only
7	232AE1	Resistor, 250 Ω , 5.0 W	RC2

Continued on Next Page



* General location, part not shown

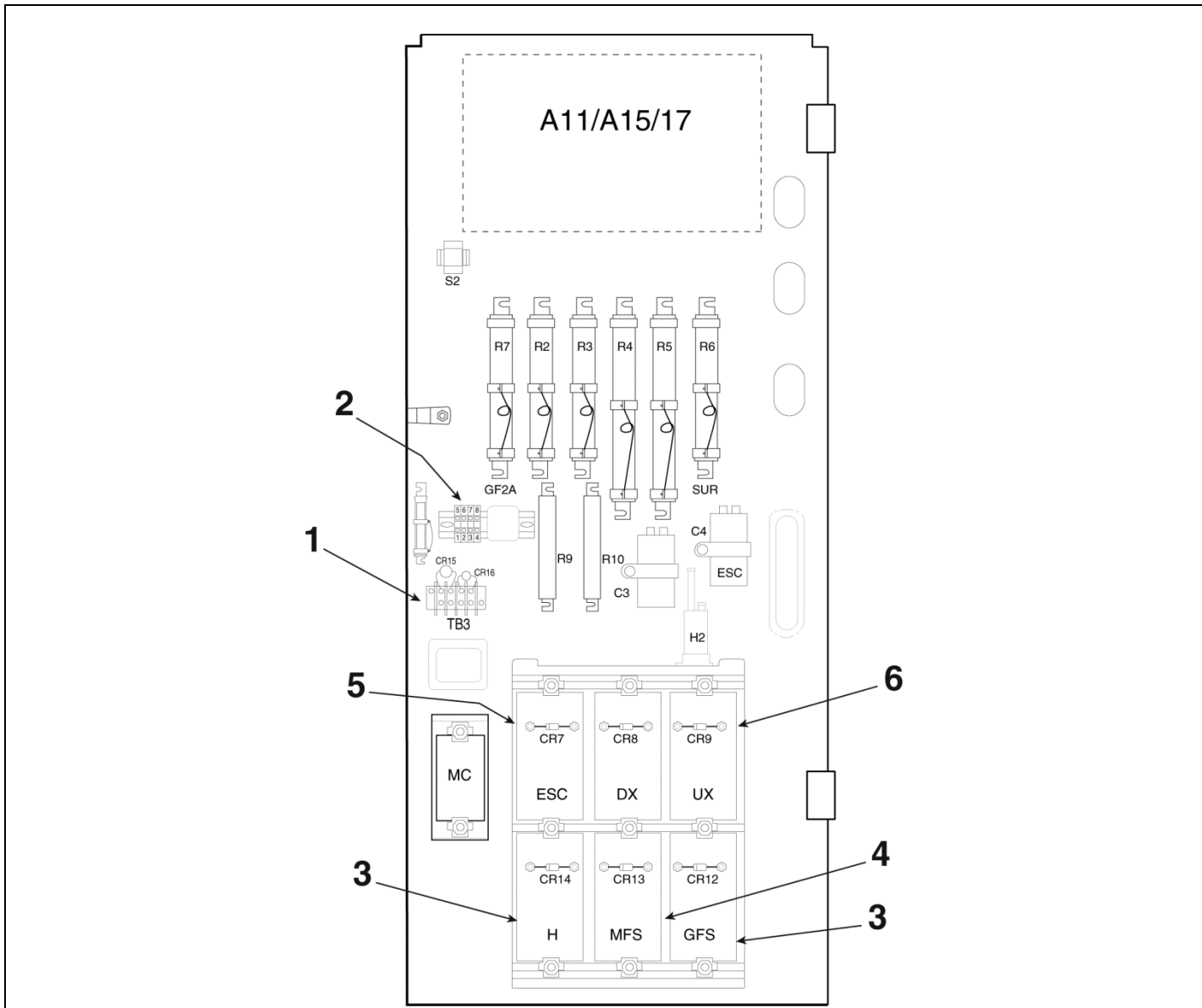
HT206100
HT206400





REF. No.	PART OR M.L.	DESCRIPTION	REMARKS
1*	288FV1	Lever, Interlock (W/L only)	---
2	AAA617H102	Lug, Resistor Adjusting Clamp (ESC2)	R1
3	AAA617K102	Lug, Resistor Adjusting Clamp	R2 – R7
4	AAA617H101	Mounting Clip, Spring Steel, 9S (ESC2)	R1
5	AAA617K101	Mounting Clip, Spring Steel, 18S	R2 – R7
6	AAA232GF101	Mounting Clip, Spring Steel, 12S	R9, R10
7	204160-13	Resistor, 250 Ω, 175 W (GF2, GF2A)	R3, R7
8	204160-12	Resistor, 10 Ω 175 W (SUR, GF1)	R2, R6
9	AAA617L8	Resistor, 25 Ω, 100 W	R9, R10
10	AAA617K10	Resistor, 250 Ω, 225 W (GF3, GF4)	R4, R5
11	204160-8	Resistor, 2K Ω, 30 W (ESC2)	R1
12*	465J1	Sleeve, Interlock (W/L only)	---

Continued on Next Page

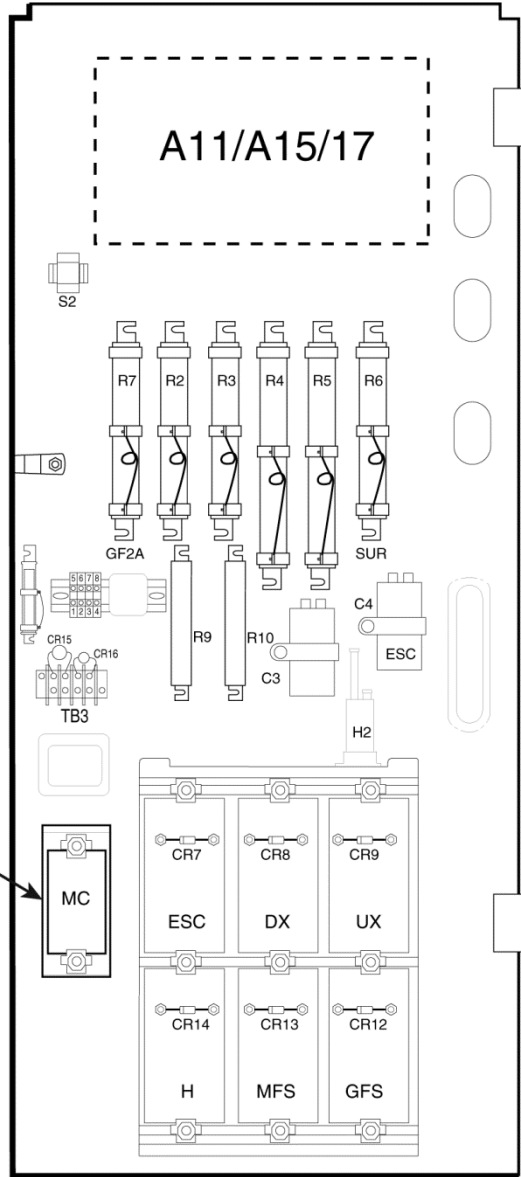
Swing Panel Assembly - Rear


10-HT206100



HT206100 HT206400			
REF. No.	PART OR M.L.	DESCRIPTION	REMARKS
1	578606-25	Block, Terminal	TB3
2	205367-8	Block, Terminal	TB1 (W/L only)
	205367-7	Block, Terminal (HL1)	TB1 (D/D only)
3	E6754C128-EB2	Switch, For detail  SPL C-971F	GFS, BPS, H
4	E6754A121-EB2	Switch, For detail  SPL C-971F	MFS
5	E6754C122-EB2	Switch, For detail  SPL C-971F	ESC
6	E6754A122-EB2	Switch, For detail  SPL C-971F	UX, DX

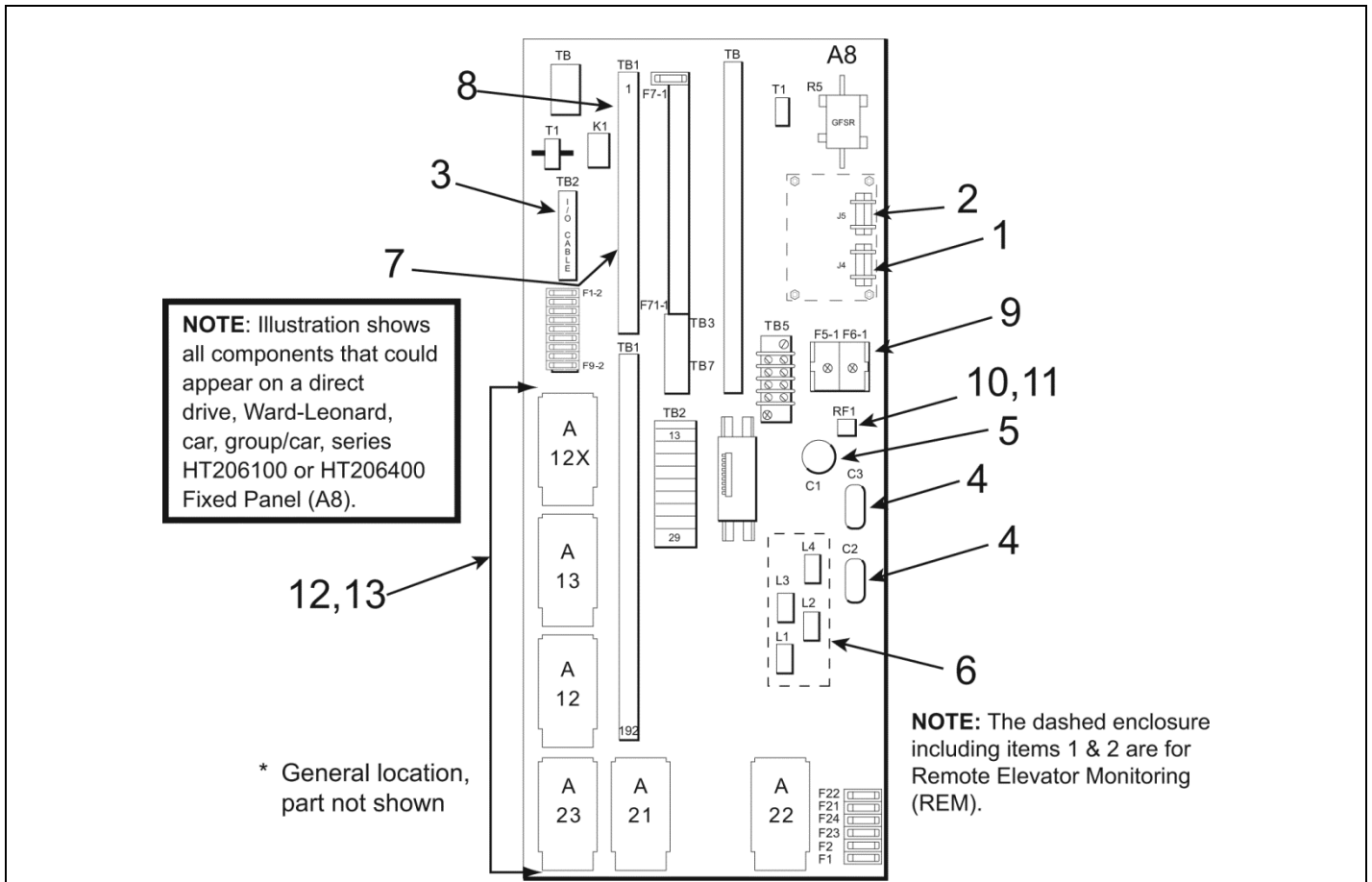
Continued on Next Page



REF. No.	PART OR M.L.	DESCRIPTION	REMARKS
1	HT206100 HT206400		
	A6164BP411-DS5	Switch, for Detail,  SPL 10-A6164BP, MC	D/T Lines: 1, 2, 4-6, 8-10, 15-17, 18B, 22, 23, 24A, 29, 29A
	A6164BP411-DS4		D/T Lines: 30, 30A
	A6164BP411-DS3		D/T Lines: 3, 3A, 7, 7A, 10A, 11, 11A-14, 15A, 17A, 18, 18A, 19-21, 22A, 23A, 24, 25-28, 31-34, 38, 39
A6164BP411-DS2	D/T Lines: 35-37, 40-42		

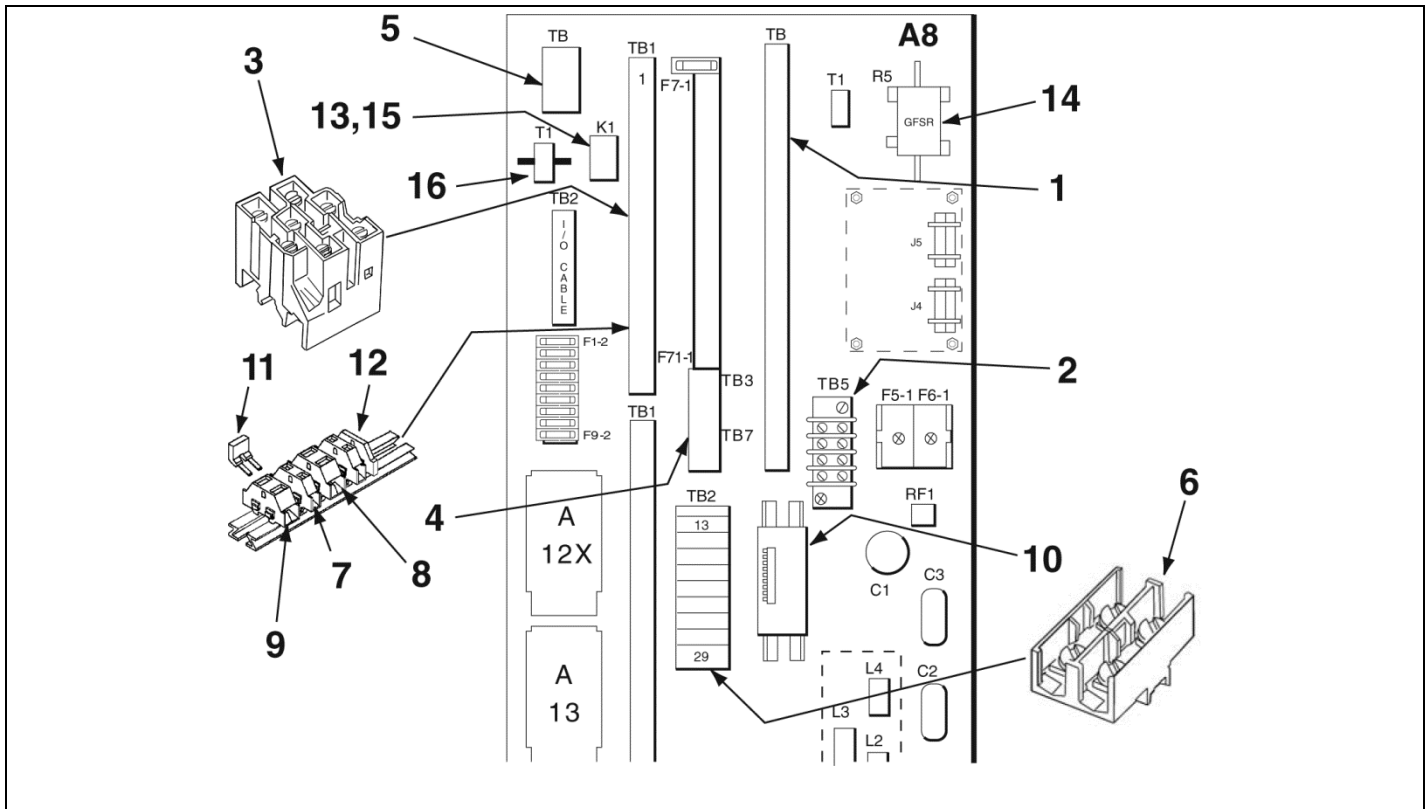
Fixed Panel Assembly

10-HT206100



REF. No.	PART OR M.L.	DESCRIPTION	REMARKS
	HT206100 HT206400		
1	HT206255-1	Assembly, Cable, REM®	J4
2	HT206255-2	Assembly, Cable, REM®	J5
3	HT204406-2	Assembly, Harness, Bus Terminator	HT206100 only
	HT206305-19	Assembly, Harness, Bus Terminator	HT206400 only
4	HT202107-02	Capacitor	C2, C3
5	HT2E1580/01-0007	Capacitor, 2500 μF, 200 V	C1
6	HT201173-1	Choke, Filter, AC	L1, L2, L3, L4
7*	P612B2	Diode to TB1	Term. 70/72; 74/76
8*	AAA653K1	Holder, Fuse	---
9	HT206051-8	Holder, Fuse	for F5-1, F6-1
10	230BS3	Rectifier RF1	HT206100 only
11	HT204736-6	Rectifier, 25 A, 800 V, RF1	HT206400 only
12	HT204548-1	Supply, Power, 24 VDC	A13w/Modernization Units
13	HT206322-1	Supply, Power, 31 VDC	A12X,A13, A21, A22, A23

* General location, part not shown.

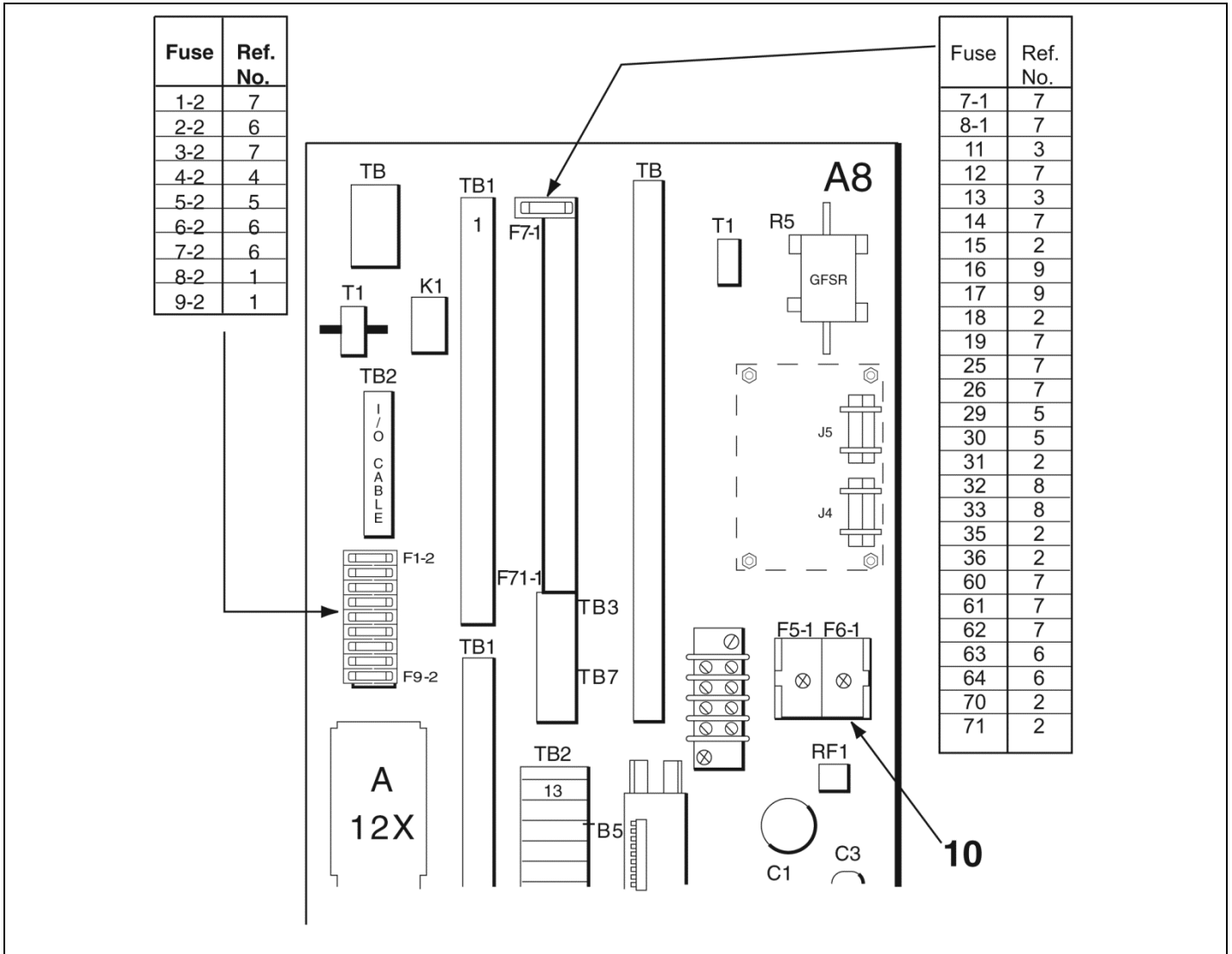


**HT206100
HT206400**

REF. No.	PART OR M.L.	DESCRIPTION	REMARKS
1	66232	Block, Terminal, Power, 400 A TB8, TB9	---
2	604-4	Block, Terminal TB5	---
3	HT202041-1	Block, Terminal TB1	HT206100 only
4	205367-11	Block, Terminal TB3, TB7	---
5	205367-6	Block, Terminal	for Group/Car only
6	HTNU2	Block, Terminal TB2	pos. 13-29
7	HT206291-1	Block, Terminal, 2-Term., 24-16AWG TB1	HT206400 only
	AAA303EP10	Block, Terminal, 2-Term., 24-14AWG TB1	HT206400 only
8	HT206291-3	Block, Terminal, 4-Term., 24-16AWG TB1	HT206400 only
	AAA303EP12	Block, Terminal, 4-Term., 24-14AWG TB124-14AWG	HT206400 only
9	AAA303EP13	Block, Terminal, 4-Term., End Block TB1	HT206400 only
10	HT206260-1	Board, Resistor	Mount below TB7
11	HT206293-1	Jumper, Terminal Block TB1	HT206400 only
12	HT206292-1	Plate, End, Terminal Block TB1	HT206400 only
13	630F4	Relay	for Group/Car only
14	HT203823-1	Resistor, 250W (R5)	GFSR
15	618AE2	Socket, Relay	for Group/Car only
16	HT201175-1	Transformer T1	---

Fixed Panel Assembly - Fuses

10-HT206100



Fuse	Ref. No.
1-2	7
2-2	6
3-2	7
4-2	4
5-2	5
6-2	6
7-2	6
8-2	1
9-2	1

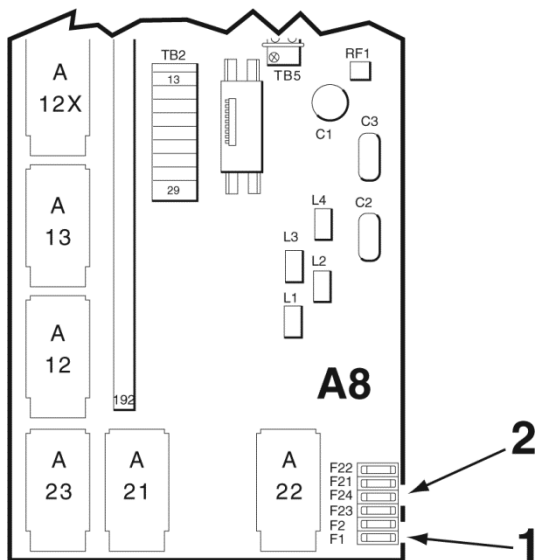
Fuse	Ref. No.
7-1	7
8-1	7
11	3
12	7
13	3
14	7
15	2
16	9
17	9
18	2
19	7
25	7
26	7
29	5
30	5
31	2
32	8
33	8
35	2
36	2
60	7
61	7
62	7
63	6
64	6
70	2
71	2


HT206100
HT206400

REF. No.	PART OR M.L.	DESCRIPTION	REMARKS
1	HT2E5150/03-0007	Fuse, 0.5 A, 250 V	F8, F9
2	HT2E5150/10-0001	Fuse, 1.0 A, 250 V on TB2:	F15, F18, F31, F35, F36, F70, F71
3	HT2E5150/10-0002	Fuse, 2.0 A, 250 V	F11, F13
4	HT2E5150/03-0016	Fuse, 2.0 A, 250 V	F4
5	HT2E5150/03-0018	Fuse, 2.5 A, 250 V	F5, F29, F30
6	HT2E5150/10-0003	Fuse, 3.0 A	F63, F64, F2, F6, F7
7	HT2E5150/10-0004	Fuse, 5.0 A, 250 V	F7-1, F8-1, F12-1, F14-1, F19-1, F25-1, F26-1, F60-1, F61-1, F62-1, F1-2, F3-2
8	KTK-R-6	Fuse, 6.0 A, 250 V	F32, F33
9	HT2E5150/03-0030	Fuse, 10.0 A, 250 V	F16, F17
10	HT206007-5	Fuse, 0.25 A, 250 V	F5-1, F6-1

10-HT206100

Fixed Panel Assembly - Fuses (F1-F2, F21-F24)



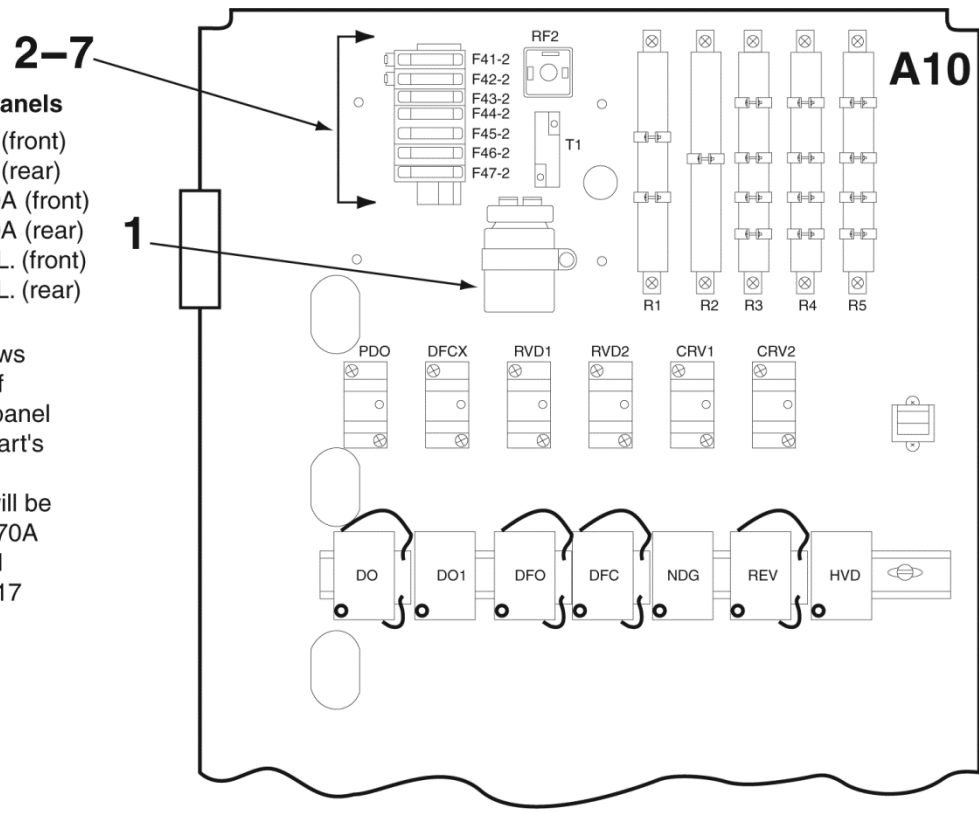
REF. No.	CONDITIONS		PART or M.L.	FUSE VALUE	
	Transformer ( Pg. 6)				
	T_	HT206xxx-x			
1	T2	310-1	200-240	HT206007-8	40 A, 250 V
			400-480	HT206007-16	25 A, 600V
		311-1	550-600	HT206007-15	20 A, 600 V
		312-1	200-240	HT206007-8	40 A, 250 V
			400-480	HT206007-16	25 A, 600 V
313-1	346-380	HT206007-16	25 A, 600 V		
2	T1	016-1	346-380	HT206007-20	45 A, 600 V
			400-480	HT206007-19	40 A, 600 V
			550-600	HT206007-17	30 A, 600 V
		017-1	200-240	HT206007-10	50 A, 250 V
			346-480	HT206007-17	30 A, 600 V
			550-600	HT206007-15	20 A, 600 V
		018-1	200-240	HT206007-6	30 A, 250 V
			346-480	HT206007-15	20 A, 600 V
			550-600	HT206007-14	15 A, 600 V
	T4	014-1	200-240	HT206007-8	40 A, 250 V
			346-480	HT206007-16	25 A, 600 V
			550-600	HT206007-15	20 A, 600 V
		015-1	200-240	HT206007-5	25 A, 250 V
346-600	HT206007-14	15 A, 600 V			

Door Operator Panels

10-HT206100

- Operator Panels**
- A10 = OVL (front)
 - A11 = OVL (rear)
 - A14 = 6970A (front)
 - A15 = 6970A (rear)
 - A16 = G.A.L. (front)
 - A17 = G.A.L. (rear)

Illustration shows arrangement of OVL operator panel (A10/A11). A part's use and arrangement will be different for 6970A (A14/A15), and G.A.L. (A16/A17) panels.

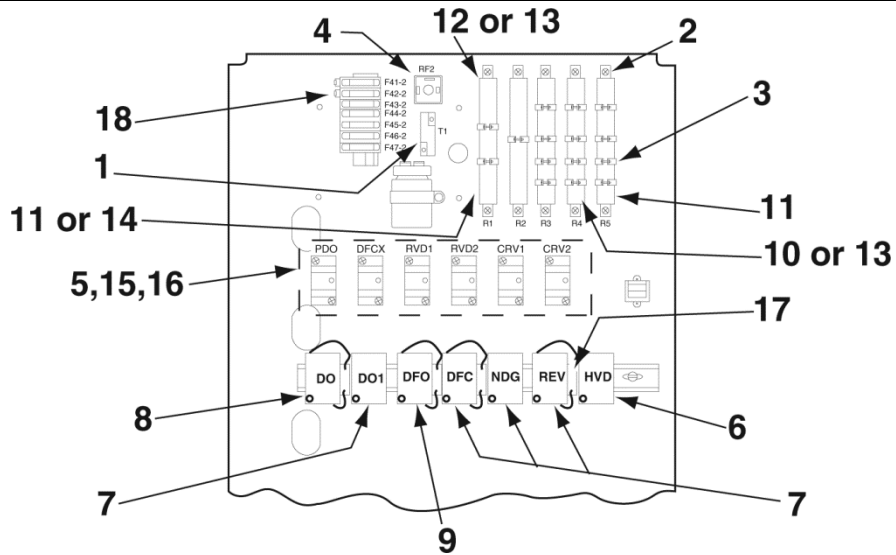


Swing Panel, Front View
OVL Operator (A10)
Panel Shown

REF. No.	PART OR M.L.	DESCRIPTION	REMARKS
	HT206100 HT206400		
*	205905-1	Assembly, Interface Board, Mounted on Fixed Panel at Bottom of TB11	for A11 only
1	CGS162T200V3C	Capacitor, 1600 μ F, 200 VDC, C1	for A10, A11 only
	CG2750U150R2C	Capacitor, 275 μ F, 150 VDC, C1	for A14 A15 only
	CGS141T450R3C	Capacitor, 140 μ F, 450 VDC, C1	for A16 only
2	HT2E5150/10-0004	Fuse, Indicating, 5.0 A, 250 V	F41-2, F42-2, F43-2 for A10, A11 only
3	HT2E5150/10-0004	Fuse, Indicating, 5.0 A, 250 V	F51 – F54, F57 A15 only
4	HT2E5150/10-0004	Fuse, Indicating, 5.0 A, 250 V	F41 –F44-2, F47-2 for A14, A16, A17 only
5	HT2E5150/10-0003	Fuse, Indicating, 3.0 A	F46-2 F56-2 for A14, A15 only
6	HT2E5150/03-0030	Fuse, 10.0 A	F45-2, F55-2, for A14, A15 only
7	AAA653K1	Holder, Fuse	

* Part not shown.

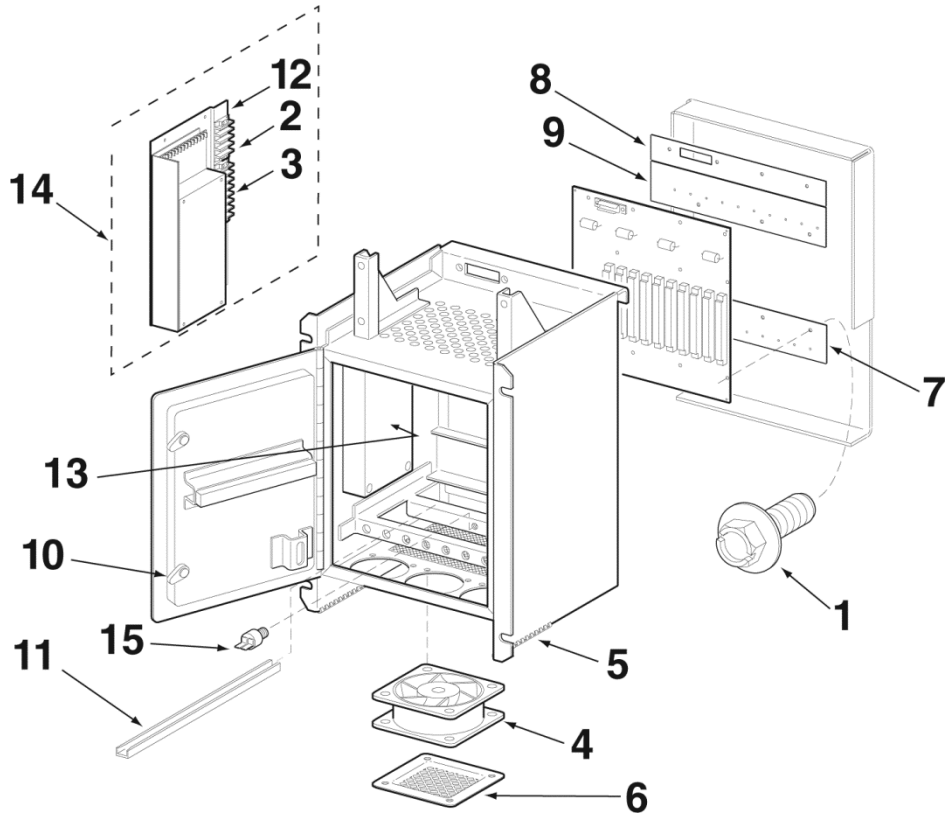
Door Operator Panels



**HT206100
HT206400**

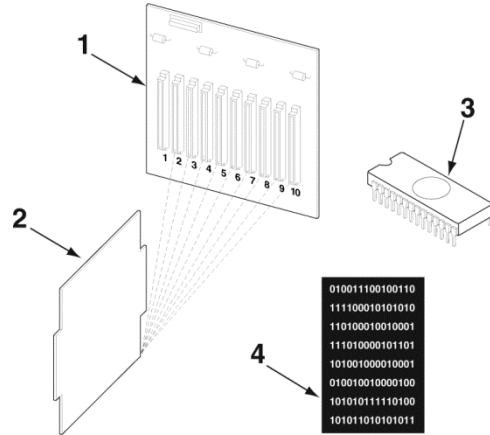
REF. No.	PART OR M.L.	DESCRIPTION	REMARKS
1	AAA623AA10 HT204156-4	Assembly, Timer, T1	for A14 A15 only
2	AAA232GF101	Bracket, Resistor, #12	
3	AAA617L101	Clamp, Adjustable, Resistor	
4	AAA612AJ1	Rectifier	RF2, For A14 Only
	230BS5	Rectifier	RF2, For A10, A11, and A16 Only
5	630F4	Relay, 115 VAC, 4-Pole	PDO DFCX RVD1 RVD2 CRV1 CRV2
6	AAA613DL27 CS3-13E-120	Relay, 120 VAC, 1 NO, 3 NC Poles	HVD (see NOTE)
7	613BX4	Relay, 120 VAC, 2 NO, 2 NC Poles	DO1 DFC NDG REV
8	613BX13	Relay, 120 VAC, 3 NO, 1 NC Poles	DO
9	613BX12	Relay, 120 VAC, 4 NO, 4 NC Poles	DFO
10	AAA617L18	Resistor, 1 K Ω , 100W R4	for A14 A15 only
11	AAA617L13	Resistor, 250 Ω , 100W R2, R5	for A10 A11 only
12	AAA617L3	Resistor, 3 Ω , 50W R1	for A14 A15 A16 only
13	AAA617L16	Resistor, 500 Ω , 100W R1, R3, R4	for A10 A11 only
14	AAA617L9	Resistor, 50 Ω , 100W R2, R3	for A14 A15 only
15	HT206272-1	Retainer, Spring	for Relays P613AY3
16	618AE2	Socket, Relay	
17	AAA00605AAA018	Suppressor, Surge, 0.15 μ F, 470 Ω	DFO DO DFC REV
18	2E4735/01-0004	Varistor, Metal Oxide	for A14 A15 only

NOTE: Refer to TIP 1.2.0-37, *Replacing Obsolete Commercial Relays*



REF. No.	PART OR M.L.	DESCRIPTION
	HT206100 HT206400	
*	HT204331-1	Assembly, Harness, Power Supply, A20
1	HT201753-1	Assembly, Screw & Washer., 10-32X1/2 in
2	AAA303FL2	Block, Terminal, 4 Terminal
3	AAA303FL3	Block, Terminal, 7 Terminal
4	HT201102-1	Fan, A2
5	294007	Grommet, Flexible (cut to suit)
6	HT204198-1	Guard, Fan, A2
7	HT201212-1	Insulator, 3.25 in W x 16.5 in. L
8	HT201212-3	Insulator, 2.12 in. W x 16.5 in. L
9	HT201212-2	Insulator, 3.38 in. W x 16.5 in. L
10	HT204367/49-1-1-0	Latch, Door
11	HT203240-4	PC Board Guide
12	AAA386KWH2	Plate, Adaptor
13	HT204329-1	Supply, Power, 90 W Total Output (use AAA21000C3)
14	AAA21000C3	Supply, Power, Group, Consisting of: Refs. 2, 3, & 12
15	HT201191-1	Switch, Thermal, A2

* Part not shown.



**HT206100
HT206400**

REF. No.	DESCRIPTION	REMARKS	PART OR M.L.
1	Board, Interconnect	Car	HT201727-1
	Board, Interconnect	Group	HT201728-2
2	Board, Bus Terminator	Group/Car Only,	HT204327-1
	Board, Bus Terminator	Car	B8200BT3
	Board, Bus Terminator (Superseded to B8200BT2)	Car + CEN Only	A8200BT3
	Board, Bus Terminator	Car + CEN Only	B8200BT2
	Board, Car Fixtures I/O	Car	HT203103-1
	Board, Communication I/O, 4-Car	Group/Car + Variable Only	HT201732-4
	Board, Communication I/O, 6-Car	Group/Car + Variable Only	HT201732-6
	Board, Communication I/O, 8-Car		HT201732-8
	Board, Communication I/O, 8-Car + Lobby CRT	Group/Car + HT206100	HT201732-1
	Board Adapter (from Wago to card edge conn)	Locate in slot 2 (see NOTE 3)	AAA26800AVZ1
	Board, General Purpose I/O		HT201723-2
	Board, Group Fixtures I/O	Group	HT203102-1
	Board, Performance Expansion Terminator (see NOTE 1)	Car (double deck) REM	B8200BT2 → AAA26800AMF1 ←
		REM Only	B8200BT3 → AAA26800AMF2 ←
		Group (EMS and OTIS CHK)	B8200BT1 → AAA26800AMF3 ←
Group (EMS only)		B8200BT1 → AAA26800AMF4 ←	
Board, I/O, Power Amplifier	Car	HT205925-1	
Board, I/O, Relay	Car, Constant	HT203101-1	
Board, Transducer	Car, Constant	HT201733-1	
3	EPROM, 64K (for PET Board) See NOTE 2	U18, U20	AAA616LY2

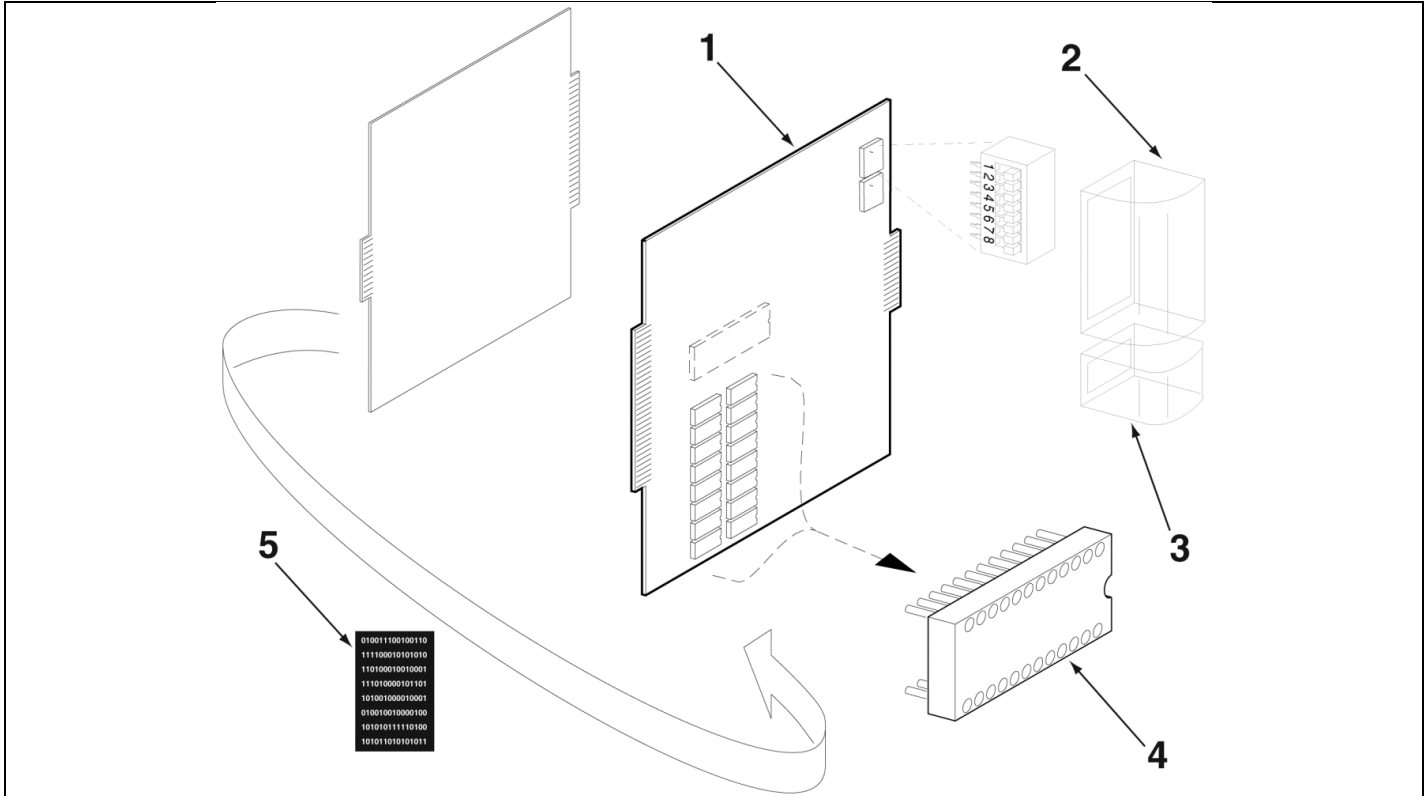
NOTE 1: See TIP 1.1.3.0-78, *Selecting AAA26800AMFX PET Board as Replacement for B8200BTX.*

NOTE 2: See TIP 1.1.3.1-65, *E401 Transfer of PET Board EPROM to Processor Board.*

NOTE 3: See AAA21700AL_FMI, *Compass for 401—remove old proc and comm. I/O boards.*

Processor - PC Boards

10-HT206100

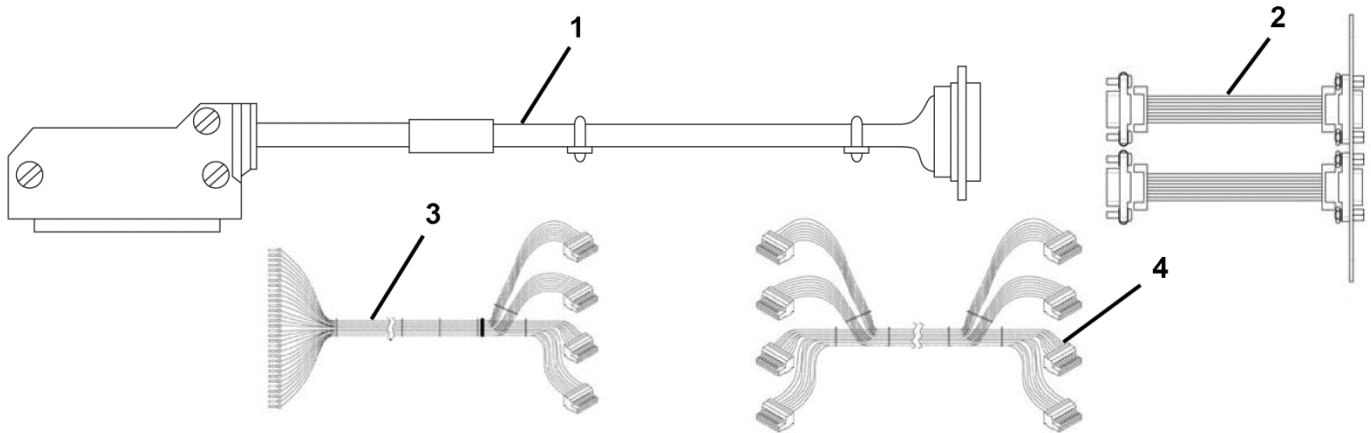


REF. No.	PART OR M.L.	DESCRIPTION	REMARKS
	HT206100 HT206400		
1	HT204349-1	Board, Processor, PET Addressable	32K EPROM's
	HT204349-3	Board, Processor, Not PET Addressable	16 or 32K EPROM's
	HT204349-5	(see NOTE 2)	16 or 32 K EPROM's; 256 K EPROM's with ACA27076BQ1Kit
	HT206481-1	Board, Processor, Not PET Addressable	32K EPROM's
	HT206481-3	(see NOTE 2)	16K or 32K EPROM's
	HT206481-4		16K, 32K, or 256 K EPROM's
	AAA21700AL1	Board Proc Compass 401X 8-Car Group (see NOTE 3)	Locate in slot 1
2	AAA346ATT1	Cover, Dip Switch, for Processor PCB	0.95 in. lg.
3	AAA346ATT2	Cover, Dip Switch for Processor PCB	0.35 in. lg.
4	AAA616JR1	EPROM, Blank, 32K	for Processor Locations: U33, U34, U35, U36 U87, U88, U89, U90, U91, U92, U93, U94
5	AAA30033AA	Software, Group Baseline (see NOTE 1)	
	AAA30022AA	Software, Car Baseline (see NOTE 1)	from CA006

NOTE 1: Prefix letters AAA represent the first baseline release of software. Subsequent software releases will change the last letter to the next letter in the alphabet. Some software upgrades may require additional hardware/software dependencies.

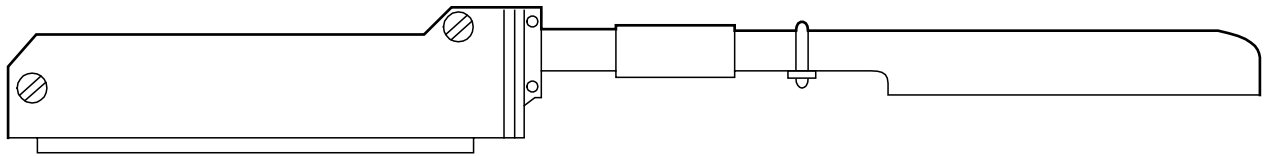
NOTE 2: See TIP 1.1.3.1-91, *E101/401 Processor Boards Update*.

NOTE 3: See AAA21700AL_FMI, Compass for 401 – remove old proc and comm I/O boards.



HT206100
HT206400

REF. No.	PART OR M.L.	DESCRIPTION	REMARKS
1	HT201304-5	Assembly, Cable J2	
	HT201305-5	Assembly, Cable J1	
	A205821-2	Assembly, Harness, For Performance Enhancement Transducer PC Board	Grp/Car + HT206100 only
	A205821-5	Assembly, Harness, For Performance Enhancement Transducer PC Board	Group/Car only
	A205821-6	Assembly, Harness, , For Performance Enhancement Transducer PC Board	Double Deck or HSVF only
	HT201765-8	Assembly, Cable, For Power Amplifier PC Board.	W/L Car only
	HT201303-2	Assembly, Cable, For Processor PC Board	Constant
	HT202026-5	Assembly, Cable, For Bus Terminator PC Board	CEN +HT206100 +Grp/Car
	HT202026-6	Assembly, Cable, For Bus Terminator PC Board	Constant + HT206100 only
	HT202026-7	Assembly, Cable, For Bus Terminator PC Board	CEN +HT206100+Car
	HT206305-10	Assembly, Cable, For Bus Terminator PC Board	CEN + Car + HT206400 only
	HT206305-9	Assembly, Cable, For Bus Terminator PC Board	CEN + Grp/Car + HT206400
	HT206305-14	Assembly, Cable, For Card Chassis Input/Output PC Board, A20	
	HT201765-9-1	Assembly, Cable, For Power Amplifier Input/Output PC Board	D/D, Group/Car only
	HT201765-8	Assembly, Cable, For Power Amplifier Input/Output PC Board	W/L, Car only
	HT201765-1	Assembly, Cable, For Power Amplifier PC Board	D/D, Car only
	HT201765-8-1	Assembly, Cable, For Power Amplifier Input/Output PC Board	W/L, Group/Car only
	HT206305-1	Assembly, Cable, For Relay Input/Output PC Board	Car only
	HT201766-3	Assembly, Cable, For Transducer PC Board	D/D & HT206100 only
	HT206305-4	Assembly, Cable, For Transducer PC Board	D/D & HT206400 only
HT206305-3	Assembly, Cable, For Transducer PC Board	W/L only	
HT206305-2	Assembly, Cable, For Relay Input/Output PC Board	Group/Car only	
2	AAA29502P1	Assembly, Cable, 401X PCB—service tool ext	Compass for 401
3	AAA174APP1	Assembly, Cable, 401X PCB—Car comm	Optional
4	AAA174APP3	Assembly, Cable, 401X PCB—Adapter PCB Car comm	Compass for 401



CAR CONTROLLER CABLE ASSEMBLIES (HT206100 ONLY)

BOARD	SLOT 4	SLOT 6	SLOT 7	SLOT 8	SLOT 9
Car Fixtures	HT201759-4	HT201759-9A	————	HT201759-9	HT201759-23
General Purpose	HT201759-4	————	HT201759-24A	HT201759-9	HT201759-23
Group Fixtures	HT201759-4B	————	————	HT201759-9B	HT201759-23B

GROUP CONTROLLER CABLE ASSEMBLIES (HT206100 ONLY)

BOARD	SLOT 3	SLOT 4	SLOT 5	SLOT 6	SLOT 7
Car Fixtures	HT201759-14	HT201759-11A	————	HT201759-14	HT201759-23
General Purpose	HT201759-14	————	HT201759-25	HT201759-14	HT201759-23
Group Fixtures	HT201759-14B	————	————	HT201759-14B	HT201759-23B

GROUP/CAR CONTROLLER, CAR CABLE ASSEMBLIES (HT206100 ONLY)

BOARD	SLOT 4	SLOT 6	SLOT 7	SLOT 8	SLOT 9
Car Fixtures	HT201759-14	HT201759-11A	————	HT201759-14	HT201759-23
General Purpose	HT201759-14	————	HT201759-25	HT201759-14	HT201759-23
Group Fixtures	HT201759-4B	————	————	HT201759-9B	HT201759-23B

CAR CONTROLLER CABLE ASSEMBLIES, MODERNIZATION (HT206100 ONLY)

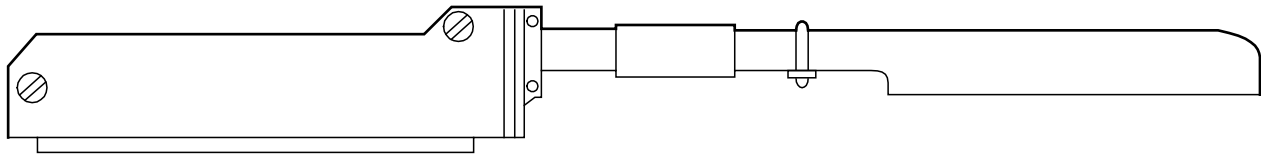
BOARD	SLOT 4	SLOT 6	SLOT 7	SLOT 8	SLOT 9
Car Fixtures	————	HT201759-9A	————	————	————
General Purpose	HT201759-4A	HT201759-9A	HT201759-24B	HT201759-9B	HT201759-23A
Group Fixtures	HT201759-4B	————	————	HT201759-9B	HT201759-23B

GROUP CONTROLLER CABLE ASSEMBLIES, MODERNIZATION (HT206100 ONLY)

BOARD	SLOT 4	SLOT 5	SLOT 6	
Car Fixtures	HT201759-26B	HT201759-19B	HT201759-21B	
General Purpose	HT201759-26A	HT201759-19A	HT201759-21A	

GROUP/CAR CONTROLLER, CAR CABLE ASSEMBLIES, MODERNIZATION (HT206100 ONLY)

BOARD	SLOT 4	SLOT 6	SLOT 7	SLOT 8	SLOT 9
Car Fixtures	————	HT201759-11A	————	————	————
General Purpose	HT201759-14A	HT201759-11A	HT201759-25A	HT201759-14B	HT201759-23A
Group Fixtures	HT201759-14B	————	————	HT201759-14B	HT201759-23B



CAR CONTROLLER CABLE ASSEMBLIES (HT206400 ONLY)

BOARD	SLOT 4	SLOT 6	SLOT 7	SLOT 8	SLOT 9
Car Fixtures	HT206305-13	HT206305-5-1	-	HT206305-12	HT2063 5-11
General Purpose	HT206305-13		HT206305-7	HT206305-12	HT206305-11
Group Fixtures	HT206305-13-2			HT206305-12-2	HT206305-11-2

GROUP CONTROLLER CABLE ASSEMBLIES (HT206400 ONL (CABLE P/N HT206XXX-XX-X))

BOARD	SLOT 3	SLOT 4	SLOT 5	SLOT 6	SLOT 7	SLOT 8
Group Fixtures	305-16-2	305-15-1	305-16-2	305-17-2	305-18-1	305-18-1
General Purpose	305-16	305-15-2	305-16	305-17	305-18	305-18

GROUP/CAR CONTROLLER, CAR CABLE ASSEMBLIES (HT206400 ONLY)

BOARD	SLOT 4	SLOT 6	SLOT 7	SLOT 8	SLOT 9
Car Fixtures	HT206305-22	HT206305-6	---	HT206305-20	HT206305-21
General Purpose	HT206305-22	---	HT206305-8	HT206305-20	HT206305-21
Group Fixtures	HT206305-22-2	---	---	HT2063052021	HT2063052

CAR CONTROLLER CABLE ASSEMBLIES, MODERNIZATION (HT206400 ONLY)

BOARD	SLOT 4	SLOT 6	SLOT 7	SLOT 8	SLOT 9
Car Fixtures	---	HT026305-5-1	---	---	---
General Purpose	HT206305-13-1	HT206305-5-1	HT205305-7-1	HT206305-12-2	HT206305-11-1
Group Fixtures	HT206305-13-2	---	---	HT206305-12-2	HT206305-11-2

GROUP CONTROLLER CABLE ASSEMBLIES, MODERNIZATION (HT206400 ONLY)

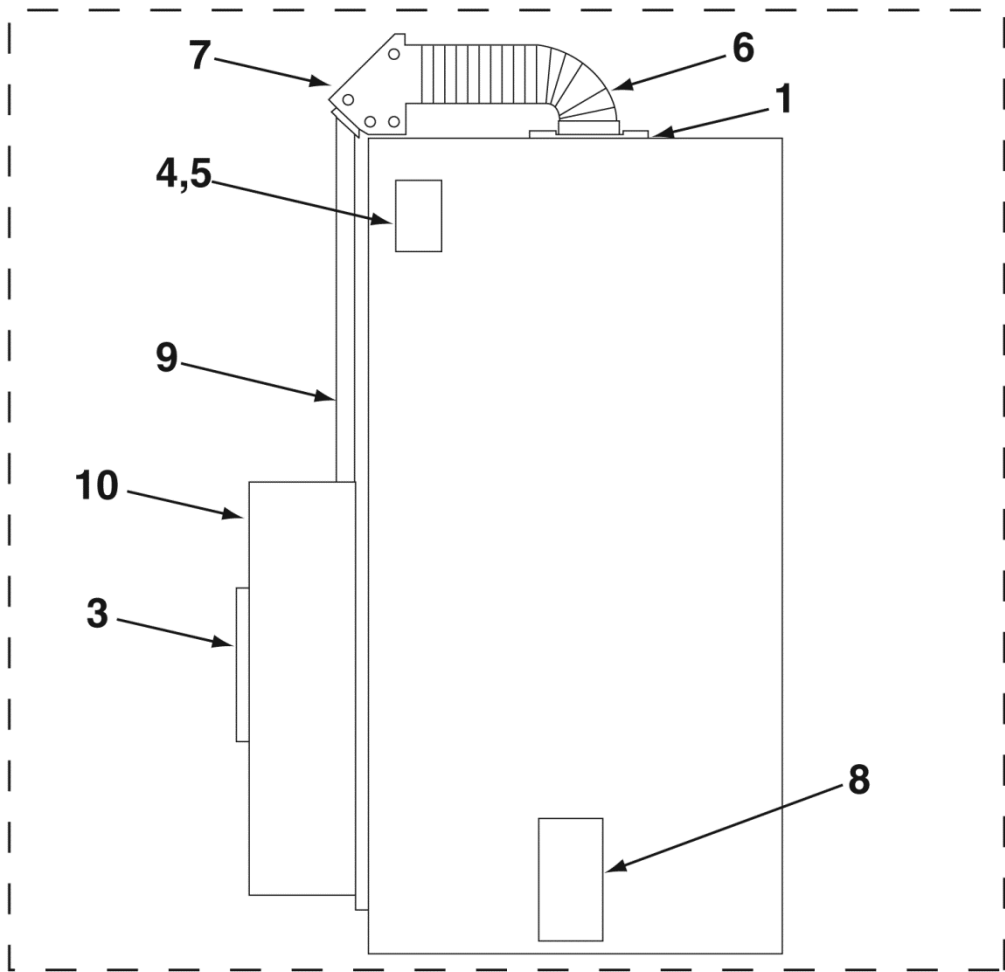
BOARD	SLOT 3	SLOT 4	SLOT 5	SLOT 6	SLOT 7
Group Fixtures	---	HT206305-6	HT206305-16-2	HT206305-17-2	---
General Purpose	HT206305-13-1	HT206305-5-1	HT205305-7-1	HT206305-12-2	HT206305-11-1

GROUP/CAR CONTROLLER CAR CABLE ASSEMBLIES, MODERNIZATION (HT206400 ONLY)

BOARD	SLOT 4	SLOT 6	SLOT 7	SLOT 8	SLOT 9
Car Fixtures	---	HT206305-6	---	---	---
General Purpose	HT206305-22-1	HT006305-6	HT206305-8-1	HT206305-20-2	HT206305-21-1
Group Fixtures	HT206305-22-2	---	---	HT206305-20-2	HT206305-21-2

Air Conditioner Kit Assembly

10-HT206100

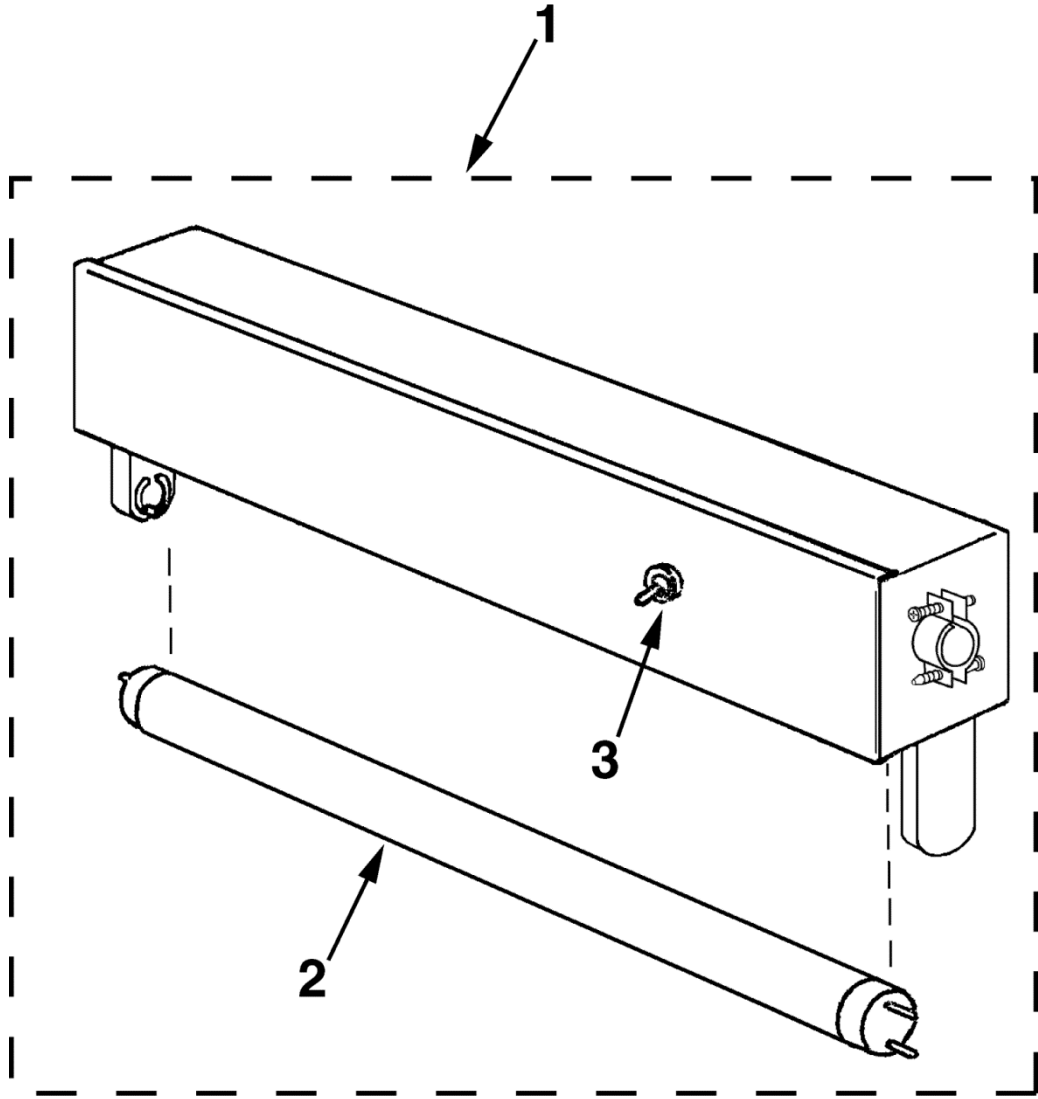


**HT206100
HT206400**

REF. No.	PART OR M.L.	DESCRIPTION
1	AAA270BH1	Adaptor, Transition
2	AAA21000B1	Assembly, Blower Kit
3	AAA737H1	Filter, Air, Washable
4	375W3	Fuse, Slow Blo, 3.0 A, 600 V (mounted inside controller cabinet)
5	AAA180EH1	Holder, Fuse, 600 V (mounted inside controller cabinet)
6	AAA134K1	Hose
7	AAA270BJ1	Manifold
*	297J11	Seal, Adhesive, Polyurethane Black
*	AAA33AH1	Seal
*	AAA297AH1	Tape, Vinyl Duct, 2 in W x 100 ft Roll
8	AAA225GD1	Transformer, 2000 Volt-Amps
9	AAA137AY1	Tube, Panel Extension
10	AAA6091AL1	Unit, Blower

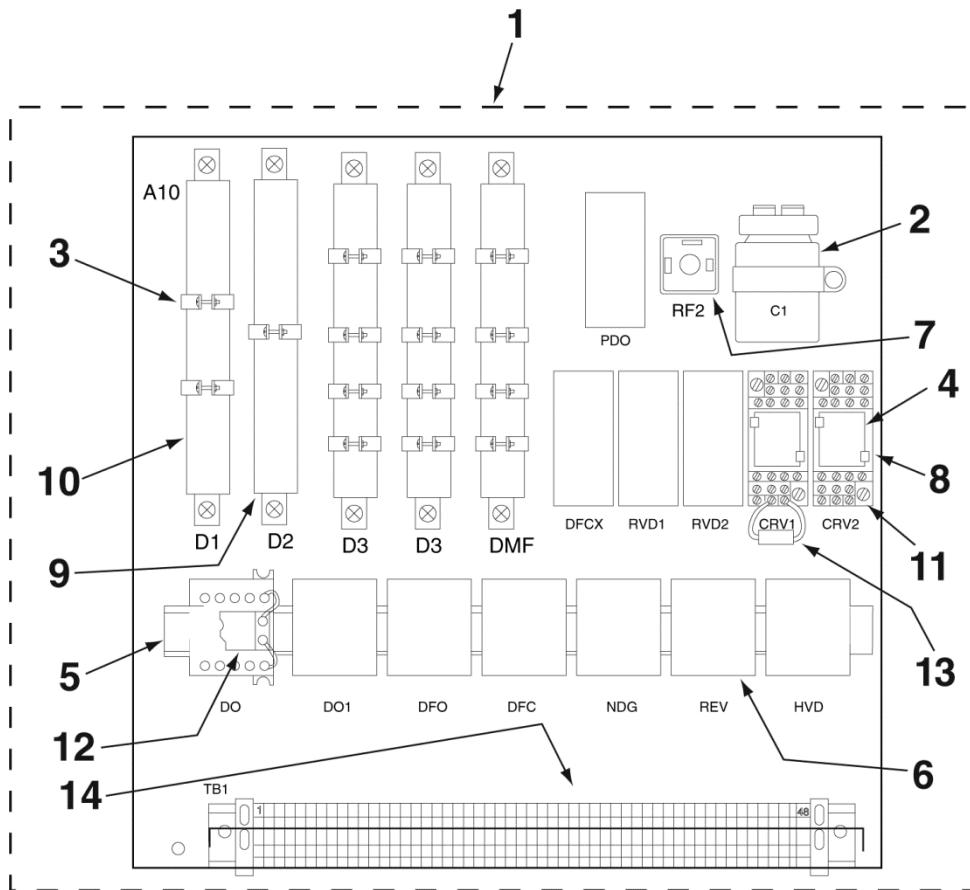
* Part not shown.

Light Fixture Assembly



VINTAGE Y 01		
REF. No.	PART OR M.L.	DESCRIPTION
1	417CD2	Assembly, Light Fixture
2	424E14	Lamp
3	6599A3	Toggle Switch

OSC Retrofit-OVL Panel Assembly (A10) 10-HT206100



HT206400			
REF. No.	PART OR M.L.	DESCRIPTION	REMARKS
1	AAA21180A1	Assembly, Panel, A10 OVL Operator	
2	AAA226FN1	Capacitor	C1
3	AAA232FG103	Clamp, Resistor (lug)	
4	AAA339MK1	Clip, Relay Hold Down	
5	AAA00613AAC002	Contactors	DO, DO1, DFO, DFC, REV, HVD
6	VP-840030	Contactors, 120 VAC	NDG
7	230BS5	Rectifier	RF2
8	630F4	Relay	
9	AAA617L13	Resistor, Power, 250Ω	DMF
10	AAA617L16	Resistor, Power, 500Ω	D1, D3, D4
11	618AE2	Socket, Relay	
12	AAA605AAA024	Suppressor, for AAA00613AAC Contactors	
13	AAA605AAA023	Suppressor	for 630F4 Relays
14	AAA303EG1	Terminal Block Assembly	TB1