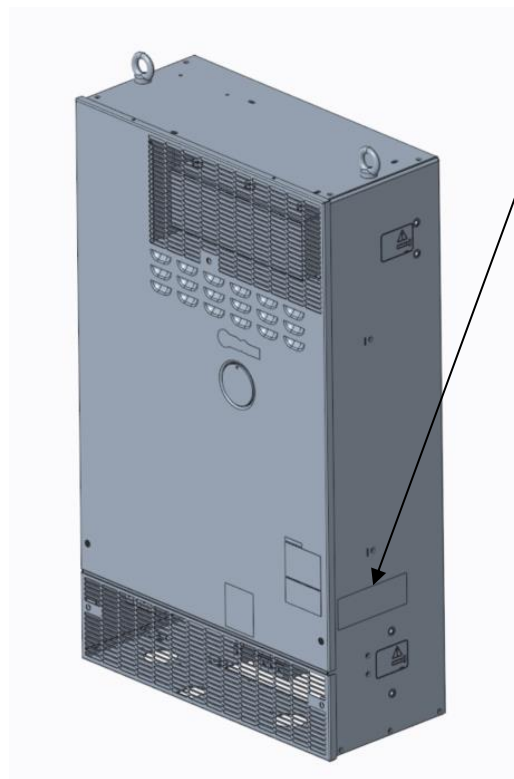


**OVFR02A-412  
120A Regenerative  
Drive**

**Spare Parts Leaflet**

**10-GDA21310EC**

**Feb. 08, 2022 / Page 1 of 4**



<b>10</b>	<b>GDA21310EC</b>
-----------	-------------------

**OTIS**

**OTIS ENGINEERING CENTER  
SHANGHAI, CHINA**

Unpublished Work—© Otis Elevator Co.; 2014

**Leaflet Description**

This leaflet provides list of potential spare parts for the Regenerative Drive known as OVFR02A-412. Due to complexity of IGBT field replacement, in case of failure the whole drive will be considered as LRU.

**Leaflet Revisions**

<b>Date Revised</b>	<b>Subject Matter Expert</b>	<b>Reason for Revision</b>
May 30, 2014	Pan, Guoping	New SPL
Sep.03, 2021	Yan, Devon	PN upgrade to GDA
Feb.08, 2022	Yan, Devon	Remove PBX for INV, CNV and FAN

**Related Drawings**

<b>Drawing No.</b>	<b>Title</b>	<b>Drawing No.</b>	<b>Title</b>
GCA21310EC	OVFR02A-412 120A Regenerative Drive	GDA21310EC	OVFR02A-412 120A Regenerative Drive

**Related Documents**

<b>Document ID</b>	<b>Title</b>
10-AAA21305DD	NSAA Global Control System 120A CR Drive

**Subject Matter Expert**

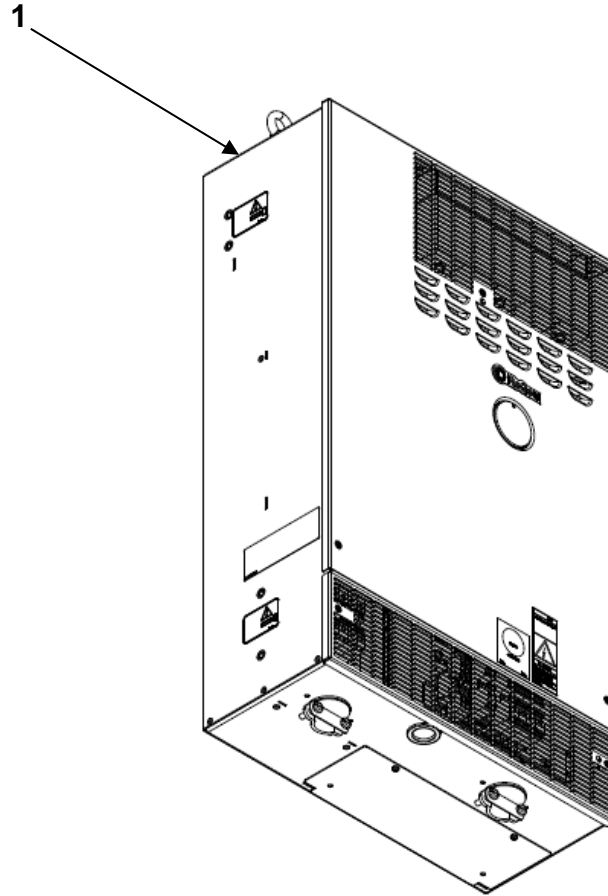
<b>Name</b>	<b>Department</b>
Anh Pham	OSC

**About Spare Parts Leaflets...**

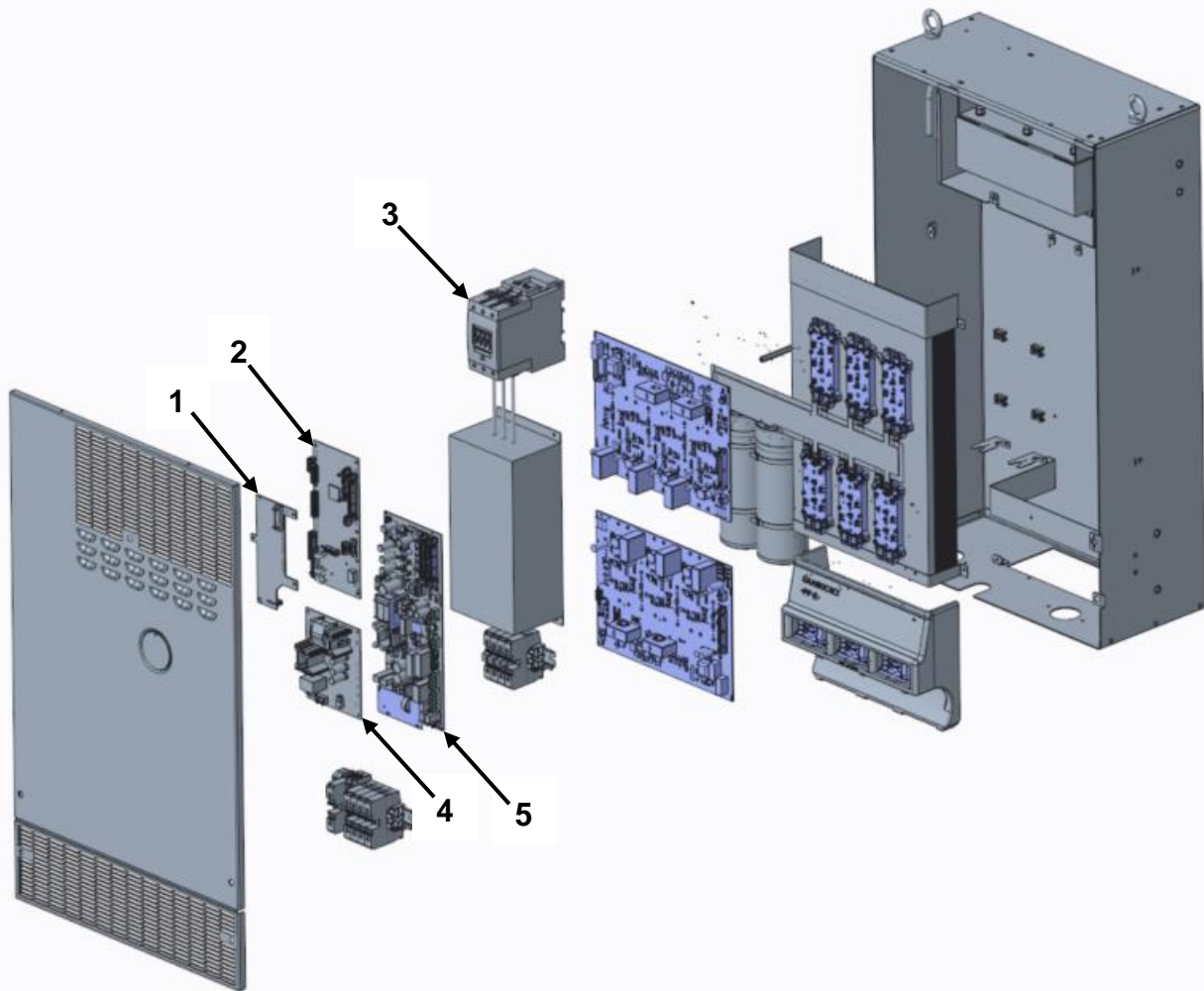
This document lists the lowest replaceable units (LRUs) for the standard version of the product. The LRUs are chosen by a team of Otis associates representing engineering and manufacturing.

While goal of this document is to make parts identification as easy as possible, the document cannot be all-inclusive. Elevator and escalator contracts classified as “special” or “custom” are not addressed here. For such contracts, please refer to specified information, the contract folder, TIPs, Field Education Articles, Construction Letters, etc. for further information.

If you have any suggestions about this document, please contact the subject matter expert listed on this page.



REF. No.	PART No.	DESCRIPTION
1	GCA21310EC1 GDA21310EC1	OVFR02A-412 120A Regenerative Drive (ENGB)
	GCA21310EC2 GDA21310EC2	OVFR02A-412 120A Regenerative Drive (ANSI)
	GCA21310EC3 GDA21310EC3	OVFR02A-412 120A Regenerative Drive (EN with SIN/COS option board)
	GCA21310EC4 GDA21310EC4	OVFR02A-412 120A Regenerative Drive (Advanced hovering control)



<b>w/o VINTAGE</b>		
<b>REF. No.</b>	<b>PART No.</b>	<b>DESCRIPTION</b>
1	ACA26800AQN2	CEIB Communication and Encoder Interface (Only for ANSI type)
2	AEA26800AKT2 AAA26800ATX7	PCB-GDCB PCB GDCB2
3	JAA638AAB1	Contactor
4	ABA26800ATR1 ADA26800ATR1	PCB FCB
5	GCA26800KP4 GDA26800KP4	PCB PDB_II