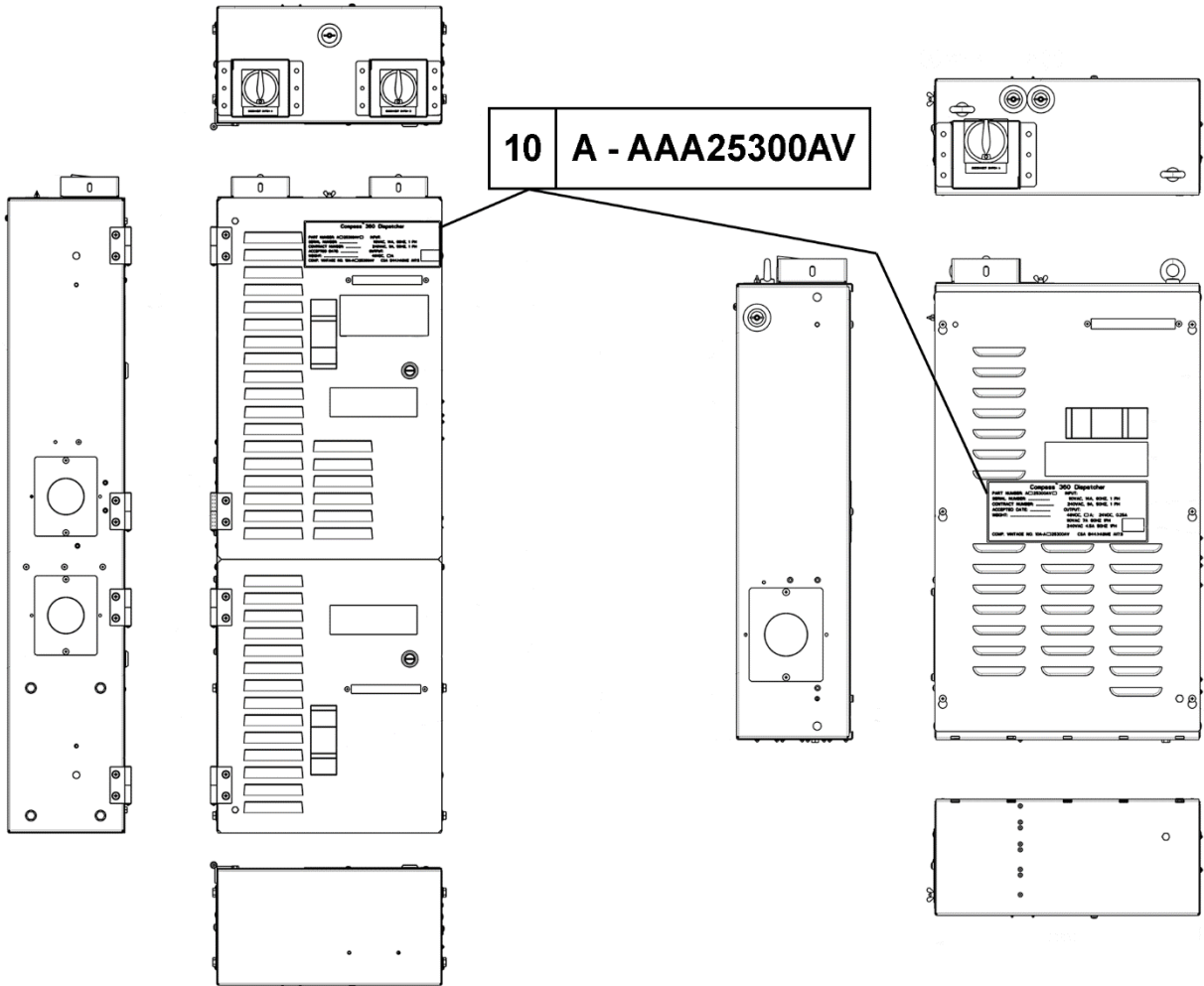


**Compass[®] 360 Dispatcher
and Compass[®] 360
Dispatcher with EGIS**

Spare Parts Leaflet

10-AAA25300AV

February 12, 2025 / Page 1 of 24



OTIS

This document does not contain any technical data subject to EAR or ITAR

SERVICE ENGINEERING

Otis Elevator Company

Bloomfield, Connecticut USA

Unpublished Work—© Otis Elevator Co.; 2025

History

10-AAA25300AV

Leaflet Description

The Compass® 360 dispatcher enclosure contains the group dispatcher board and software, along with the network components required to communicate to the destination entry devices located throughout a building. The dispatcher is connected to the car controllers via the RS422 ring or CAN bus. Arrangements of the dispatcher are used to supply additional power and Ethernet connections.

Leaflet Revisions

Date Revised	Subject Matter Expert	Reason for Revision
October 14, 2020	Paul Stranieri	Added correct P/N AAA616NL26
February 10, 2021	Paul Stranieri	Added new arrangements
February 2, 2022	Paul Stranieri	Added new arrangements AV16–AV19 on pp. 10–13
January 25, 2023	Paul Stranieri	Corrected typo on p. 9
February 22, 2023	Paul Stranieri	Added new arrangement AV20 on p. 14
October 4, 2023	Paul Stranieri	Revised sheets 3–6, 8–13
February 12, 2025	Joshua Nicklas	Replaced ES3 with ES6 for AV3, 6, 9, 12, 15

Related Drawings

Drawing No.	Title	Drawing No.	Title
H**23501D	Compass 360 Angle Mount Touch Screen	H**23501C	Compass 360 Angle Mount Touchpad
H**23501F	Compass 360 Flush Mount Touch Screen	H**23501E	Compass 360 Flush Mount Touch Screen
AAA29000BE	Compass 360, System Level	AAA25300AV	Compass Dispatcher

Related Documents

Document ID	Title
SPL 40-AAA29000BE	System Level SPL: Compass 360 Passenger Interface
TIP 1.1.22.1-1	Updating GECB Software with the Otis OMU

Subject Matter Expert

Name	Department
Paul Stranieri	Otis Engineering Center, Farmington

About Spare Parts Leaflets...

This document lists the lowest replaceable units (LRUs) for the standard version of the product. The LRUs are chosen by a team of Otis associates representing engineering and manufacturing.

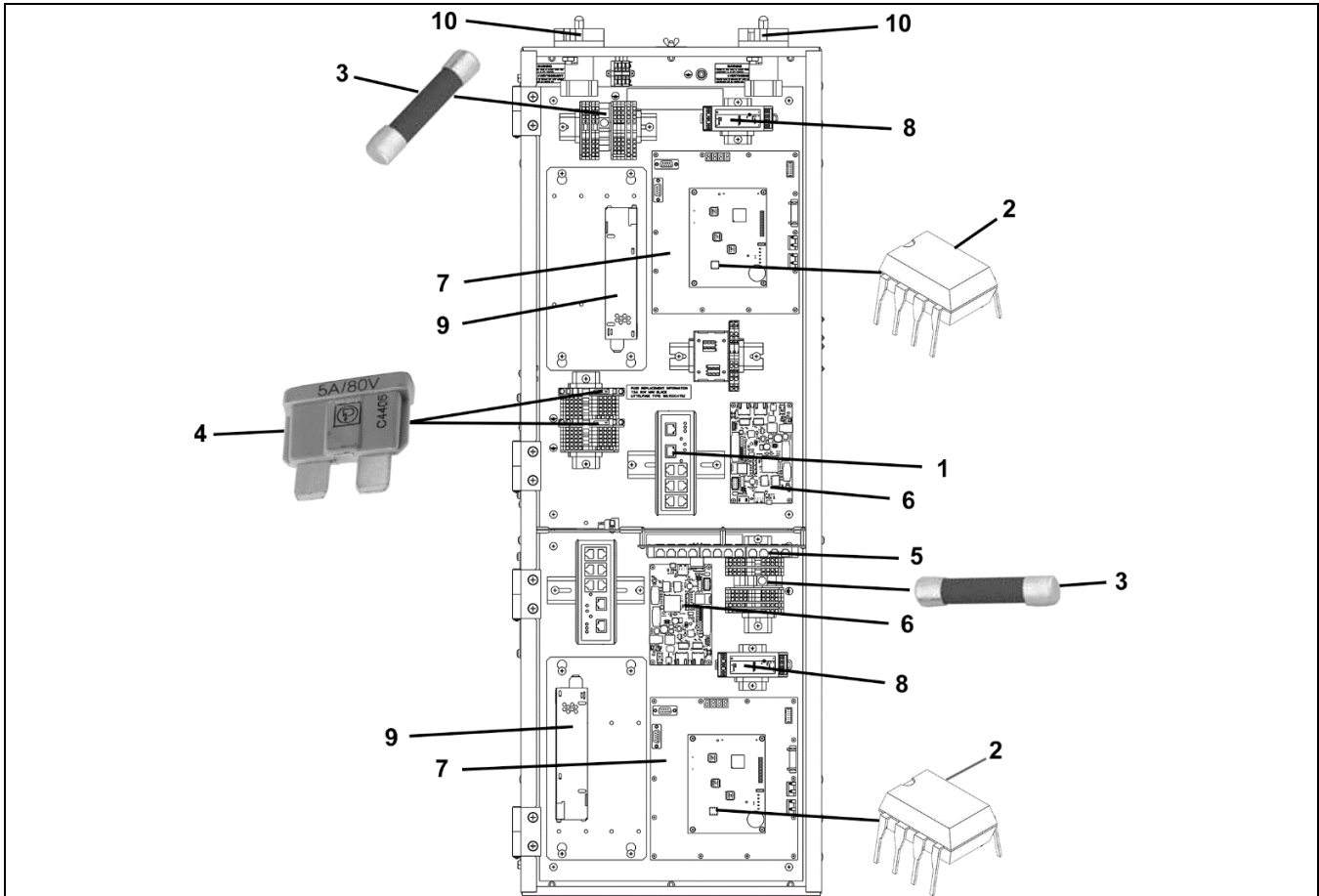
While goal of this document is to make parts identification as easy as possible, the document cannot be all-inclusive. Elevator and escalator contracts classified as "special" or "custom" are not addressed here. For such contracts, please refer to specified information, the contract folder, TIPs, Field Education Articles, Construction Letters, etc. for further information.

If you have any suggestions about this document, please contact the subject matter expert listed on this page.

5-, 8-, 16-Port 300 W MR Dispatcher

10-AAA25300AV

A25300AV1, 2, 3**



REF. No.	AAA25300AV PART No.	DESCRIPTION
*	AAA174CAL2	Cable, Serial Communication, GECB to Server RS232 (applies to all arrangements except AV13 & AV20)
1	AAA639ES2-PROGRAMMED	Computer, Layer-2 8-Port Ethernet Switch (<input type="checkbox"/> 8-port A**25300AV2), see NOTE 3
	AAA639ES3-PROGRAMMED	Computer, Layer-2 18-Port Ethernet Switch (<input type="checkbox"/> 18-port A**25300AV3), see NOTE 3
	AAA639ES6-PROGRAMMED	
2	AAA616NL26	EEPROM, 1024K-Bit Serial (SPI bus), 8-Pin DIP (Blank), See TIP 1.1.22.1-1
3	AAA375CJ4	Fuse, Time Delay, 10 Amp (<input type="checkbox"/> 115 VAC Input Voltage)
	AAA375CJ5	Fuse, Time Delay, 15 Amp (<input type="checkbox"/> 230 VAC Input Voltage)
4	AAA375C19	Fuse, Time Delay, 80 V, 7.5 Amp, Mini Blade

* Part not shown.

NOTE 1: When replacing this PC board assembly, remove and retain the 8-pin socketed EEPROM (ref. 2) from the existing processor board or your contract data will be lost.

NOTE 2: The GECB-V2 requires AAA31336CAD (CAN) or AP131362CAH (Ring) or later software. If required to load software, refer to TIP 1.1.22.1-1.

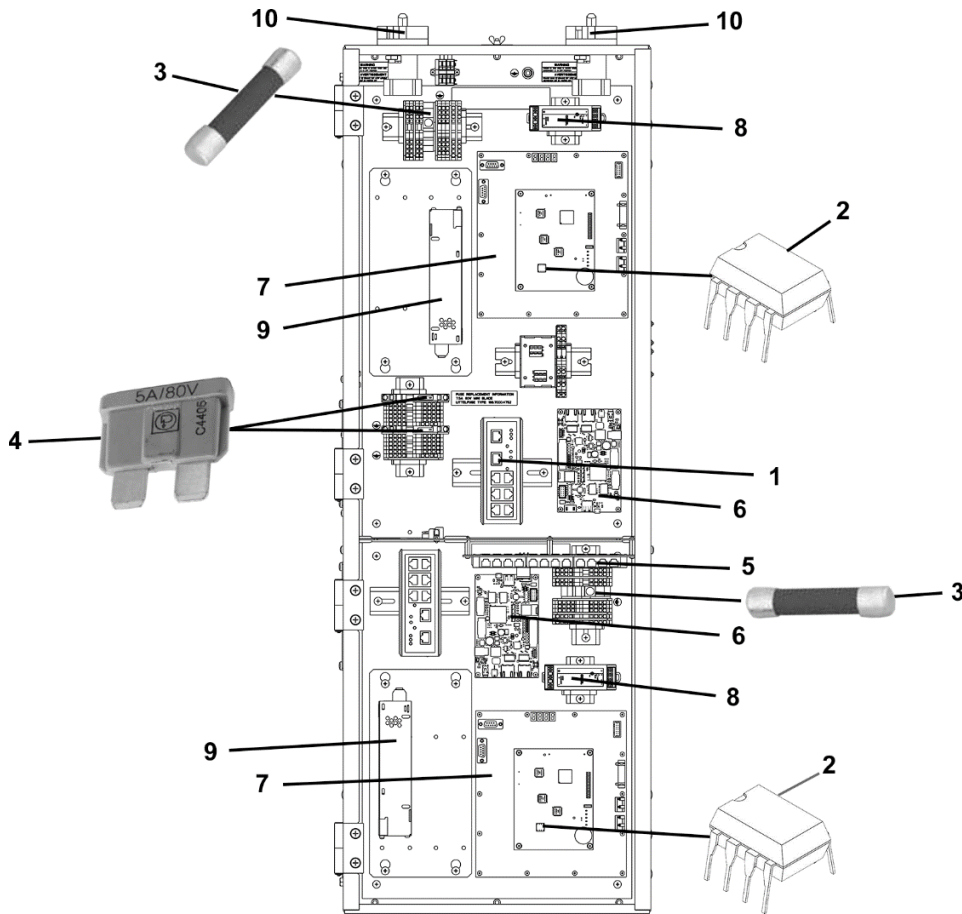
NOTE 3: Provide: Contract No., Machine No., and Controller part No.

Continued on Next Page

5-, 8-, 16-Port 300 W MR Dispatcher

10-AAA25300AV

A25300AV1, 2, 3**



REF. No.	AAA25300AV PART No.	DESCRIPTION
5	ABA26800APZ2	Patch Panel, Single
6	GAA26800SG3-C360	PC Board, Terminal Manager, see NOTE 3
7	JHA26807CBN42	PC Board, GECB-V2/GPCB-IO, See NOTES 1 & 2
8	AAA621AT27	Power Supply, 24 VDC, 60 W
9	AAA621AN32	Power Supply, 48 VDC, 300 W
*	AAA21600KP406-25	Power Wiring Harness for Ref. 6
10	AAA661G7	Switch, Special Purpose

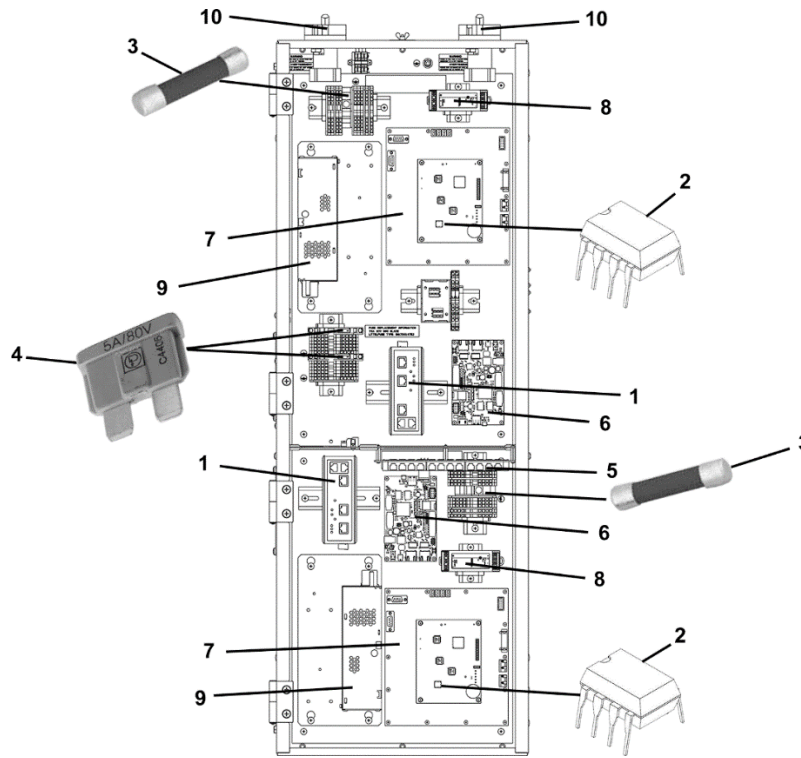
NOTE 1: When replacing this PC board assembly, remove and retain the 8-pin socketed EEPROM (ref. 2) from the existing processor board or your contract data will be lost.

NOTE 2: The GECB-V2 requires AAA31336CAD (CAN) or AP131362CAH (Ring) or later software. If required to load software, refer to TIP 1.1.22.1-1.

NOTE 3: Provide: Contract No., Machine No., and Controller part No.

5-, 8-, 16-Port 600 W MR Dispatcher A**25300AV4, 5, 6

10-AAA25300AV



AAA25300AV		
REF. No.	PART No.	DESCRIPTION
1	AAA639ES2-PROGRAMMED	Computer, Layer-2 8-Port Ethernet Switch (W→8-port A**25300AV5), see NOTE 3
	AAA639ES3-PROGRAMMED AAA639ES6-PROGRAMMED	Computer, Layer-2 18-Port Ethernet Switch (W→18-port A**25300AV6), see NOTE 3
2	AAA616NL26	EEPROM, 1024K-Bit Serial (SPI bus), 8-Pin DIP (Blank), See TIP 1.1.22.1-1
3	AAA375CJ4	Fuse, Time Delay, 10 Amp (W→115 VAC Input Voltage)
	AAA375CJ5	Fuse, Time Delay, 15 Amp (W→230 VAC Input Voltage)
4	AAA375C19	Fuse, Time Delay, 80 V, 7.5 Amp, Mini Blade
5	ABA26800APZ2	Patch Panel, Single
6	GAA26800SG3-C360	PC Board, Terminal Manager, see NOTE 3

NOTE 1: When replacing this PC board assembly, remove and retain the 8-pin socketed EEPROM (ref. 2) from the existing processor board or your contract data will be lost.

NOTE 2: The GECB-V2 requires AAA31336CAD (CAN) or AP131362CAH (Ring) or later software. If required to load software refer to TIP 1.1.22.1-1.

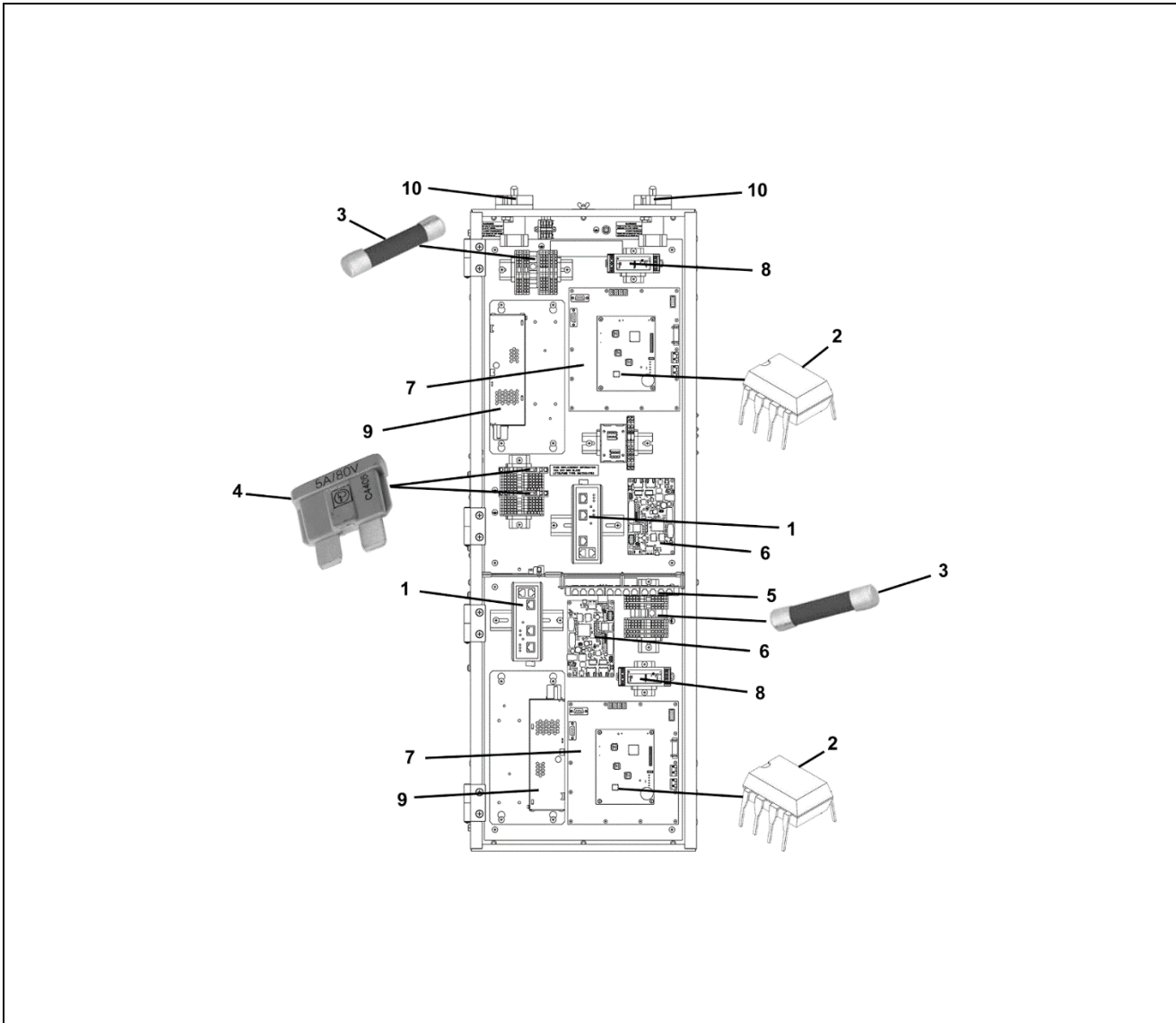
NOTE 3: Provide: Contract No., Machine No., and Controller part No.

Continued on Next Page

5-, 8-, 16-Port 600 W MR Dispatcher

A**25300AV4, 5, 6

10-AAA25300AV



AAA25300AV		
REF. No.	PART No.	DESCRIPTION
7	JHA26807CBN42	PC Board, GECB-V2/GPCB-IO, See NOTES 1 & 2
8	AAA621AT27	Power Supply, 24 VDC, 60 W
9	AAA621AN36	Power Supply, 48 VDC, 600 W
10	AAA661G7	Switch, Special Purpose
*	AAA21600KP406-25	Wiring Harness, Power, for Ref. 6

* Part not shown.

NOTE 1: When replacing this PC board assembly, remove and retain the 8-pin socketed EEPROM (ref. 2) from the existing processor board or your contract data will be lost.

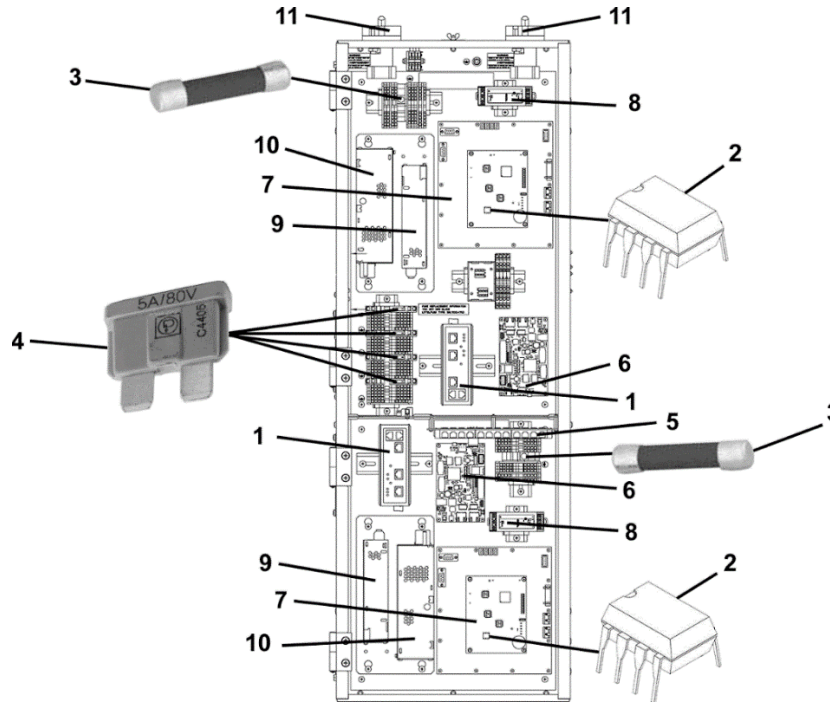
NOTE 2: The GECB-V2 requires AAA31336CAD (CAN) or AP131362CAH (Ring) or later software. If required to load software refer to TIP 1.1.22.1-1.

NOTE 3: Provide: Contract No., Machine No., and Controller part No.

5-, 8-, 16-Port 900 W MR Dispatcher

10-AAA25300AV

A25300AV7, 8, 9**



AAA25300AV		
REF. No.	PART No.	DESCRIPTION
1	AAA639ES2-PROGRAMMED	Computer, Layer-2 8-Port Ethernet Switch (☑→8-port A**25300AV8), see NOTE 3
	AAA639ES3-PROGRAMMED AAA639ES6-PROGRAMMED	Computer, Layer-2 18-Port Ethernet Switch (☑→18-port A**25300AV9), see NOTE 3
2	AAA616NL26	EEPROM, 1024K-Bit Serial (SPI bus), 8-Pin DIP (Blank), See TIP 1.1.22.1-1
3	AAA375CJ4	Fuse, Time Delay, 10 Amp (☑→115 VAC Input Voltage)
	AAA375CJ5	Fuse, Time Delay, 15 Amp (☑→230 VAC Input Voltage)
4	AAA375C19	Fuse, Time Delay, 80 V, 7.5 Amp, Mini Blade
5	ABA26800APZ2	Patch Panel, Single
6	GAA26800SG3-C360	PC Board, Terminal Manager, see NOTE 3

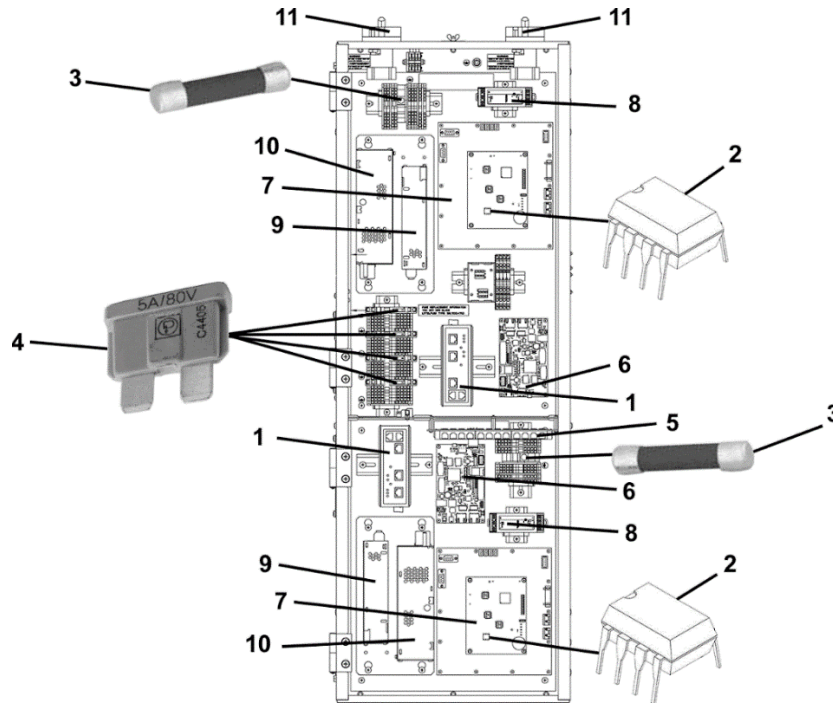
- NOTE 1:** When replacing this PC board assembly, remove and retain the 8-pin socketed EEPROM (ref. 2) from the existing processor board or your contract data will be lost.
- NOTE 2:** The GECB-V2 requires AAA31336CAD (CAN) or AP131362CAH (Ring) or later software. If required to load software refer to TIP 1.1.22.1-1.
- NOTE 3:** Provide: Contract No., Machine No., and Controller part No.

Continued on Next Page

5-, 8-, 16-Port 900 W MR Dispatcher

10-AAA25300AV

A**25300AV7, 8, 9



AAA25300AV		
REF. No.	PART No.	DESCRIPTION
7	JHA26807CBN42	PC Board, GECB-V2/GPCB-IO, See NOTES 1 & 2
8	AAA621AT27	Power Supply, 24 VDC, 60 W
9	AAA621AN32	Power Supply, 48 VDC, 300 W
10	AAA621AN36	Power Supply, 48 VDC, 600 W
11	AAA661G7	Switch, Special Purpose
*	AAA21600KP406-25	Wiring Harness, Power, for Ref. 6

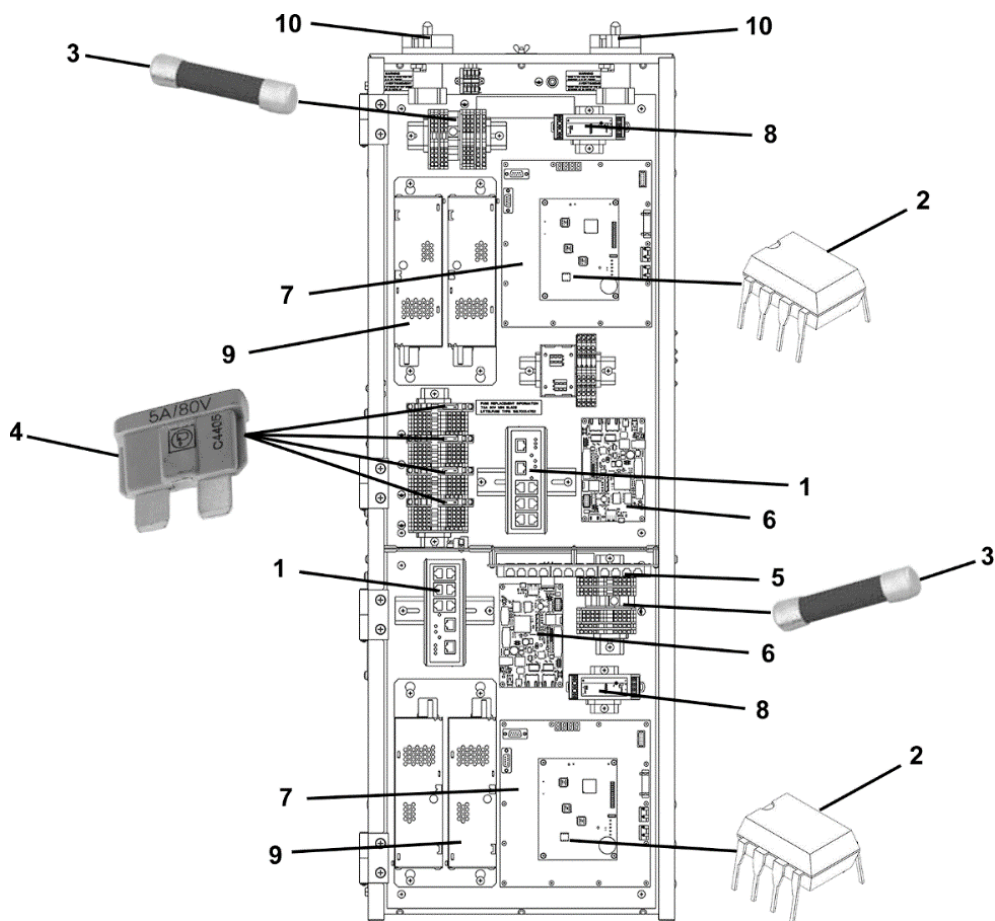
* Part not shown.

NOTE 1: When replacing this PC board assembly, remove and retain the 8-pin socketed EEPROM (ref. 2) from the existing processor board or your contract data will be lost.

NOTE 2: The GECB-V2 requires AAA31336CAD (CAN) or AP131362CAH (Ring) or later software. If required to load software refer to TIP 1.1.22.1-1.

NOTE 3: Provide: Contract No., Machine No., and Controller part No.

A25300AV10, 11, 12**



AAA25300AV

REF. No.	PART No.	DESCRIPTION
1	AAA639ES2-PROGRAMMED	Computer, Layer-2 8-Port Ethernet Switch (W-8-port A**25300AV11), see NOTE 3
	AAA639ES3-PROGRAMMED AAA639ES6-PROGRAMMED	Computer, Layer-2 18-Port Ethernet Switch (W-18-port A**25300AV12), see NOTE 3
2	AAA616NL26	EEPROM, 1024K-Bit Serial (SPI bus), 8-Pin DIP (Blank), See TIP 1.1.22.1-1
3	AAA375CJ4	Fuse, Time Delay, 10 Amp (W-115 VAC Input Voltage)
	AAA375CJ5	Fuse, Time Delay, 15 Amp (W-230 VAC Input Voltage)
4	AAA375C19	Fuse, Time Delay, 80 V, 7.5 Amp, Mini Blade
5	ABA26800APZ2	Patch Panel, Single
6	GAA26800SG3-C360	PC Board, Terminal Manager, see NOTE 3

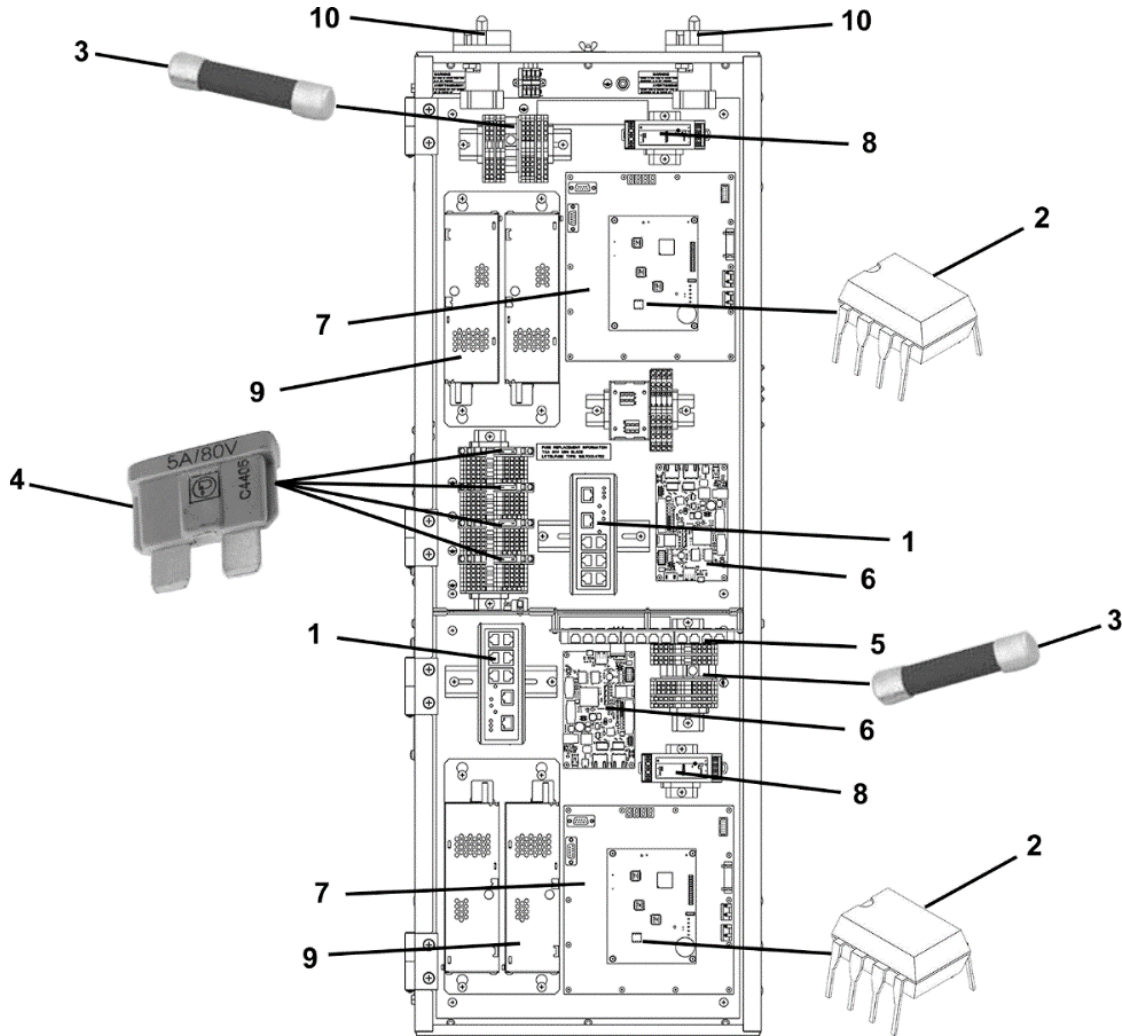
NOTE 1: When replacing this PC board assembly, remove and retain the 8-pin socketed EEPROM (ref. 2) from the existing processor board or your contract data will be lost.

NOTE 2: The GECB-V2 requires AAA31336CAD (CAN) or AP131362CAH (Ring) or later software. If required to load software refer to TIP 1.1.22.1-1.

NOTE 3: Provide: Contract No., Machine No., and Controller part No.

Continued on Next Page

A25300AV10, 11, 12**



AAA25300AV

REF. No.	PART No.	DESCRIPTION
7	JHA26807CBN42	PC Board, GECB-V2/GPCB-IO, See NOTES 1 & 2
8	AAA621AT27	Power Supply, 24 VDC, 60 W
9	AAA621AN36	Power Supply, 48 VDC, 600 W
10	AAA661G7	Switch, Special Purpose
*	AAA21600KP406-25	Wiring Harness, Power, for Ref. 6

* Part not shown.

NOTE 1: When replacing this PC board assembly, remove and retain the 8-pin socketed EEPROM (ref. 2) from the existing processor board or your contract data will be lost.

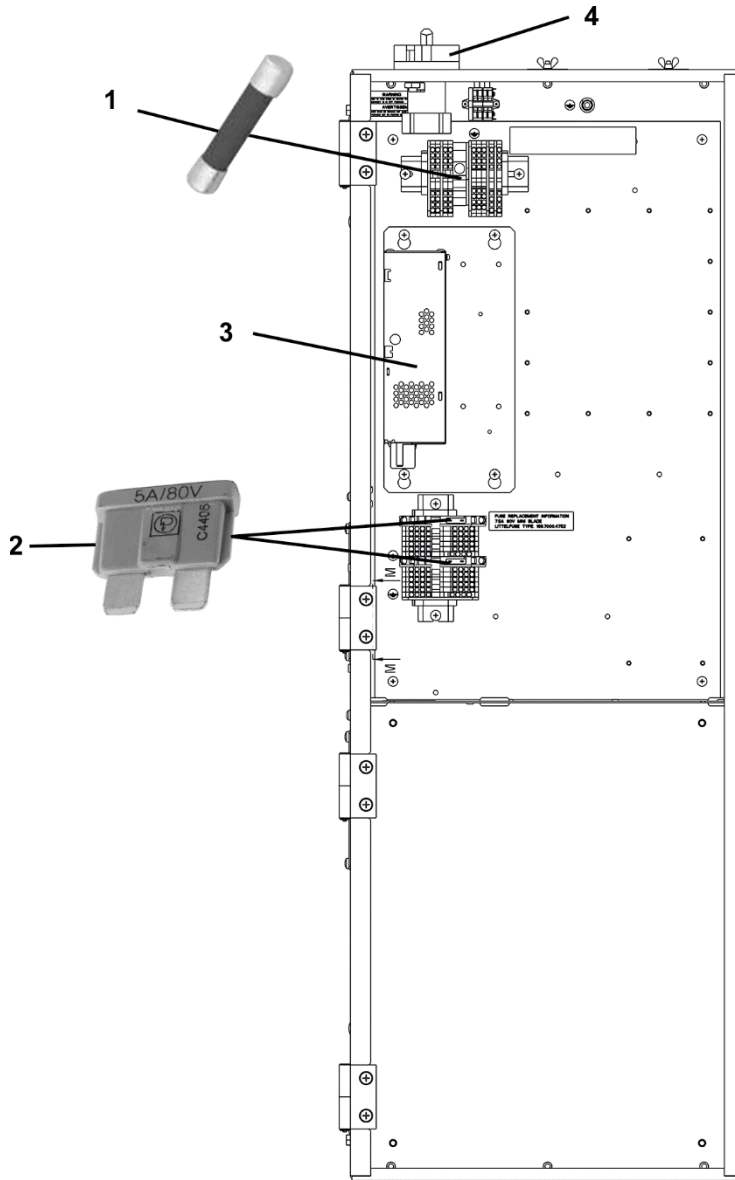
NOTE 2: The GECB-V2 requires AAA31336CAD (CAN) or AP131362CAH (Ring) or later software. If required to load software refer to TIP 1.1.22.1-1.

NOTE 3: Provide: Contract No., Machine No., and Controller part No.

600W Power Expansion Box

10-AAA25300AV

A25300AV13**

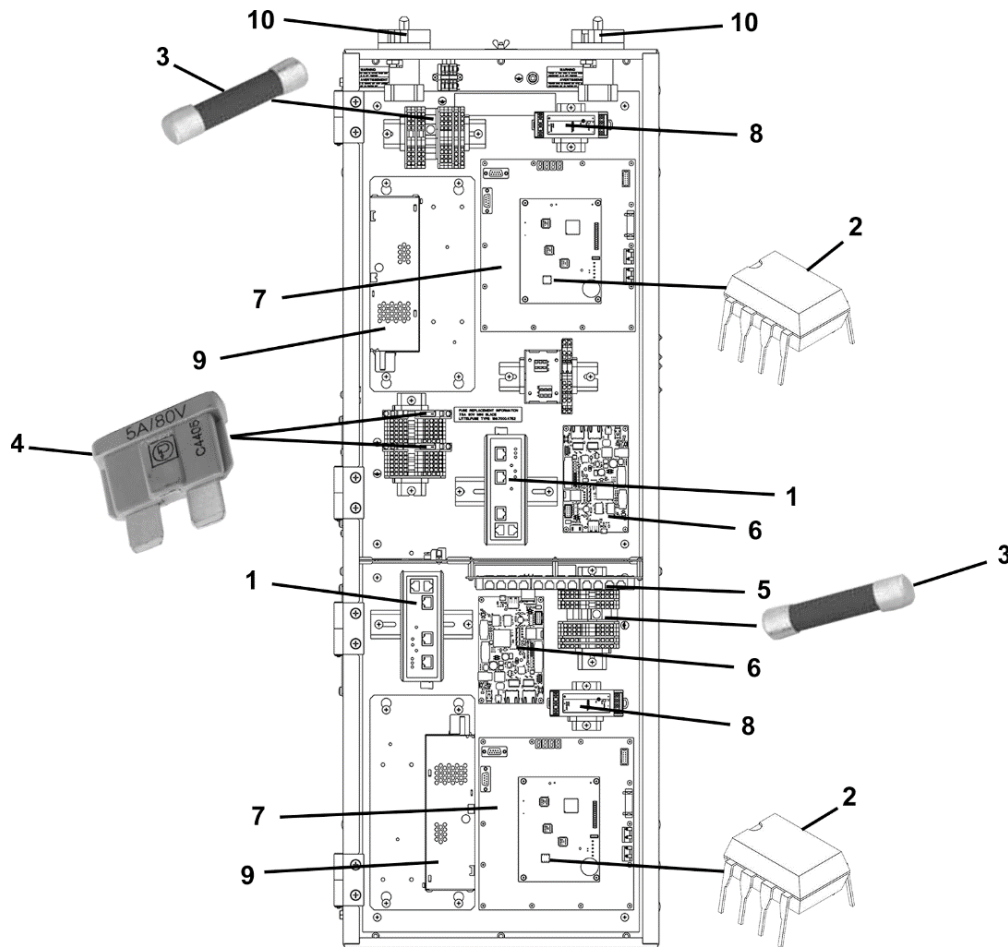


AAA25300AV		
REF. No.	PART No.	DESCRIPTION
1	AAA375CJ4	Fuse, Time Delay, 10 Amp
2	AAA375C19	Fuse, Time Delay, 80 V, 7.5 Amp, Mini Blade
3	AAA621AN36	Power Supply, 48 VDC, 600 W
4	AAA661G7	Switch, Special Purpose

8-Port 600 W MR Dispatcher with EGIS

10-AAA25300AV

A25300AV14**



REF. No.	AAA25300AV PART No.	DESCRIPTION
1	AAA639ES2-PROGRAMMED	Computer, Layer-2 8-Port Ethernet Switch, see NOTE 3
2	AAA616NL26	EEPROM, 1024K-Bit Serial (SPI bus), 8-Pin DIP (Blank), See TIP 1.1.22.1-1
3	AAA375CJ4	Fuse, Time Delay, 10 Amp (W- 115 VAC Input Voltage)
	AAA375CJ5	Fuse, Time Delay, 15 Amp (W- 230 VAC Input Voltage)
4	AAA375C19	Fuse, Time Delay, 80 V, 7.5 Amp, Mini Blade
5	ABA26800APZ2	Patch Panel, Single
6	GAA26800SG3-C360	PC Board, Terminal Manager & EGIS, see NOTE 3
	GAA26800SG3-EMS	

* Part not shown.

NOTE 1: When replacing this PC board assembly, remove and retain the 8-pin socketed EEPROM (ref. 2) from the existing processor board or your contract data will be lost.

NOTE 2: The GECB-V2 requires AAA31336CAD (CAN) or AP131362CAH (Ring) or later software. If required to load software refer to TIP 1.1.22.1-1.

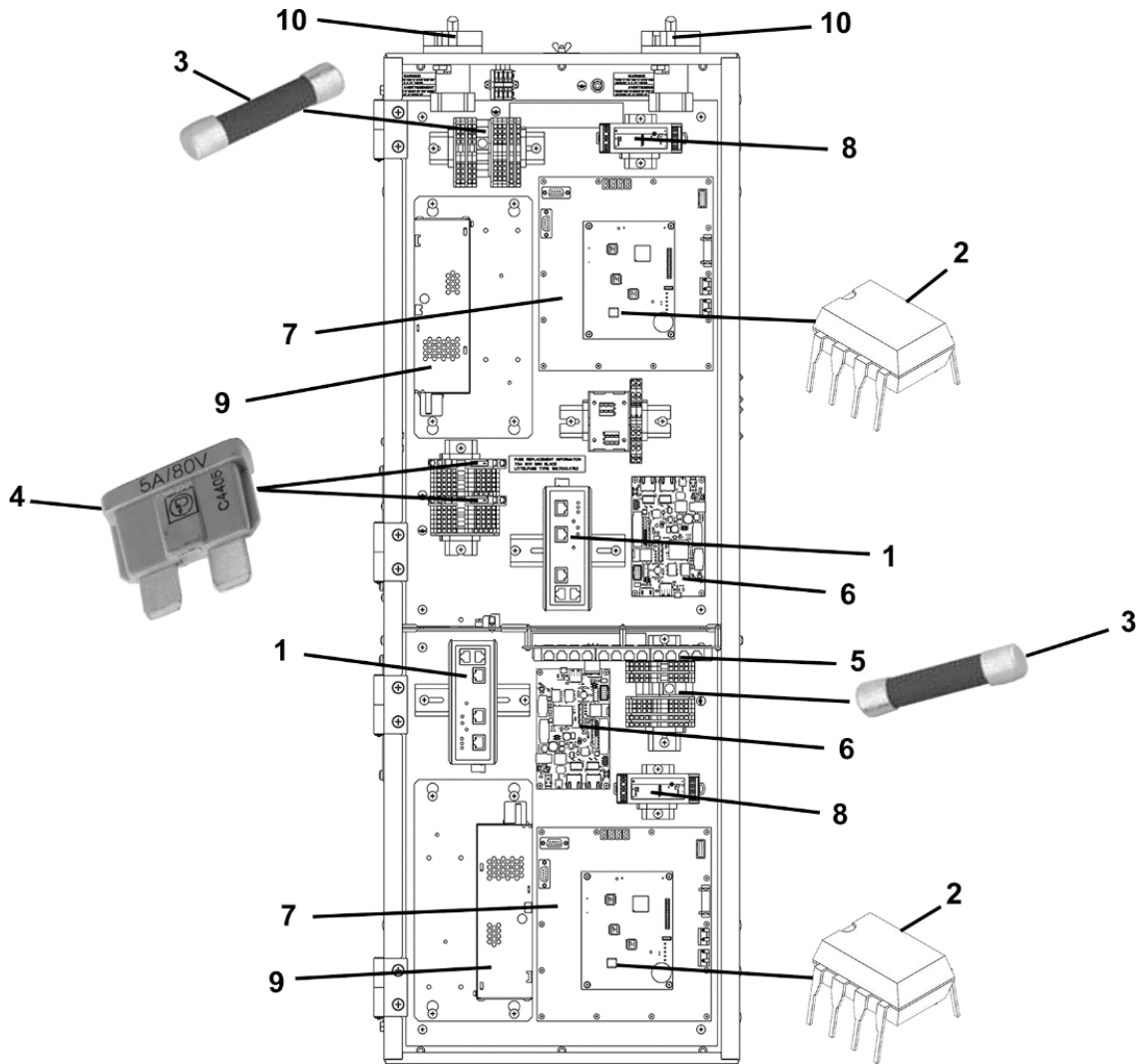
NOTE 3: Provide: Contract No., Machine No., and Controller part No.

Continued on Next Page

8-Port 600 W MR Dispatcher with EGIS

10-AAA25300AV

A25300AV14**



AAA25300AV		
REF. No.	PART No.	DESCRIPTION
7	JHA26807CBN19	PC Board, GECB-V2/GPCB-IO, See NOTES 1 & 2
8	AAA621AT27	Power Supply, 24 VDC, 60 W
9	AAA621AN36	Power Supply, 48 VDC, 600 W
10	AAA661G7	Switch, Special Purpose
*	AAA21600KP406-25	Wiring Harness, Power, for Ref. 6 (DETM)
*	AAA174AJQ38	Wiring Harness, CAN, for Ref. 6 (EGIS)

* Part not shown.

NOTE 1: When replacing this PC board assembly, remove and retain the 8-pin socketed EEPROM (ref. 2) from the existing processor board or your contract data will be lost.

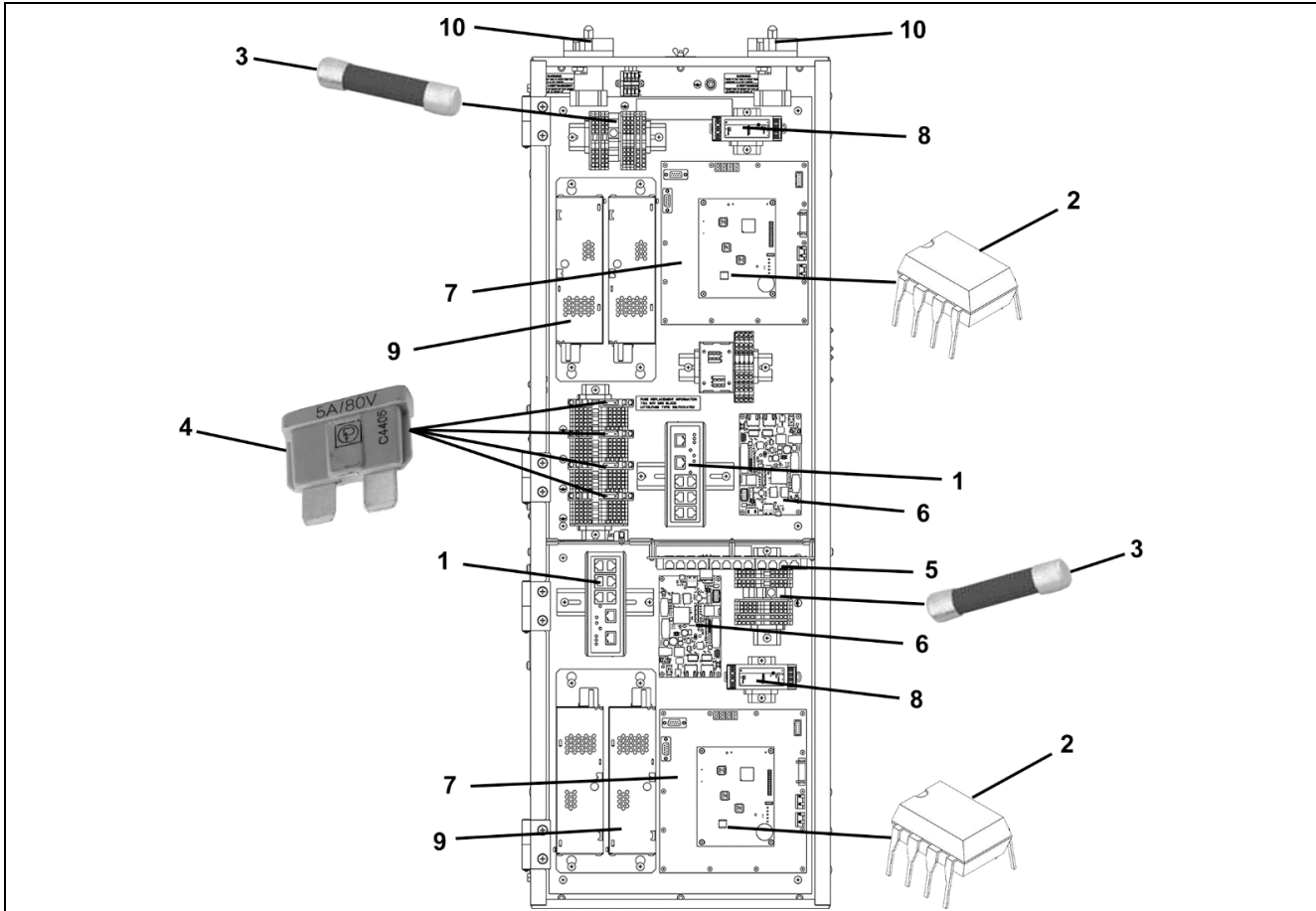
NOTE 2: The GECB-V2 requires AAA31336CAD (CAN) or AP131362CAH (Ring) or later software. If required to load software refer to TIP 1.1.22.1-1.

NOTE 3: Provide: Contract No., Machine No., and Controller part No.

16-Port 1200 W MR Dispatcher w/ EGIS

10-AAA25300AV

A25300AV15**



AAA25300AV		
REF. No.	PART No.	DESCRIPTION
1	AAA639ES3-PROGRAMMED AAA639ES6-PROGRAMMED	Computer, Layer-2 18-Port Ethernet Switch, see NOTE 3
2	AAA616NL26	EEPROM, 1024K-Bit Serial (SPI bus), 8-Pin DIP (Blank), See TIP 1.1.22.1-1
3	AAA375CJ4	Fuse, Time Delay, 10 Amp (W- 115VAC Input Voltage)
	AAA375CJ5	Fuse, Time Delay, 15 Amp (W- 230VAC Input Voltage)
4	AAA375C19	Fuse, Time Delay, 80 V, 7.5 Amp, Mini Blade
5	ABA26800APZ2	Patch Panel, Single
6	GAA26800SG3-C360 GAA26800SG3-EMS	PC Board, Terminal Manager & EGIS, see NOTE 3

NOTE 1: When replacing this PC board assembly, remove and retain the 8-pin socketed EEPROM (ref. 2) from the existing processor board or your contract data will be lost.

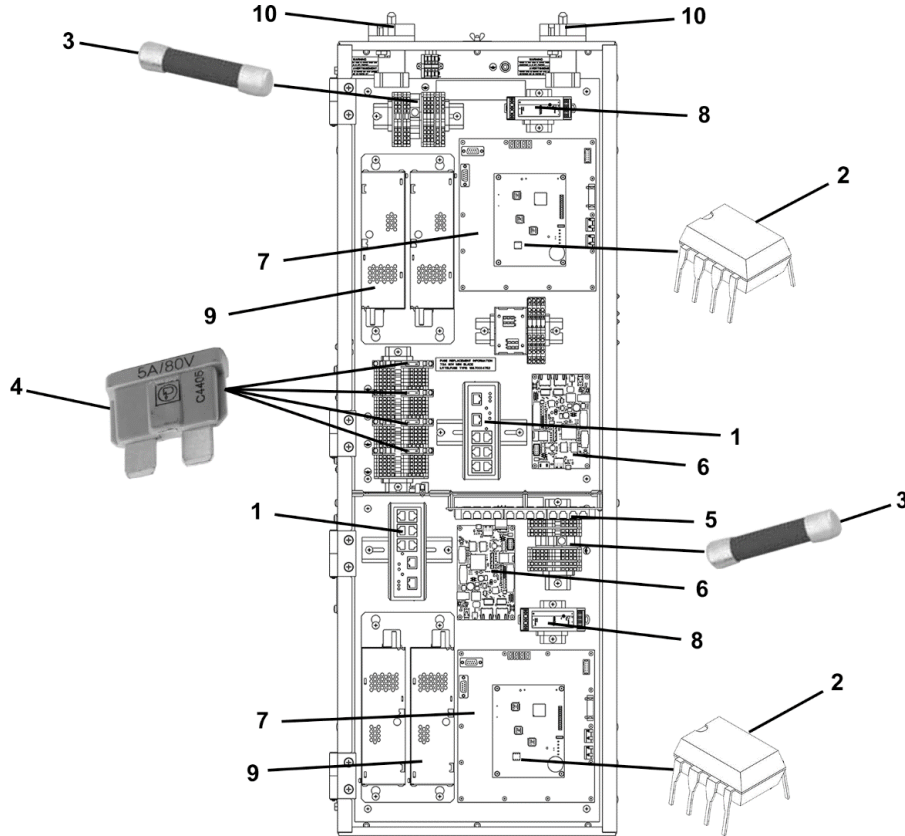
NOTE 2: The GECB-V2 requires AAA31336CAD (CAN) or AP131362CAH (Ring) or later software. If required to load software refer to TIP 1.1.22.1-1.

NOTE 3: Provide: Contract No., Machine No., and Controller part No.

Continued on Next Page

16-Port 1200 W MR Dispatcher w/ EGIS
A25300AV15**

10-AAA25300AV



AAA25300AV		
REF. No.	PART No.	DESCRIPTION
7	JHA26807CBN19	PC Board, GECB-V2/GPCB-IO, See NOTES 1 & 2
8	AAA621AT27	Power Supply, 24 VDC, 60 W
9	AAA621AN36	Power Supply, 48 VDC, 600 W
10	AAA661G7	Switch, Special Purpose
*	AAA21600KP406-25	Wiring Harness, Power, for Ref. 6 (DETM)
*	AAA174AJQ38	Wiring Harness, CAN, for Ref. 6 (EGIS)

* Part not shown.

NOTE 1: When replacing this PC board assembly, remove and retain the 8-pin socketed EEPROM (ref. 2) from the existing processor board or your contract data will be lost.

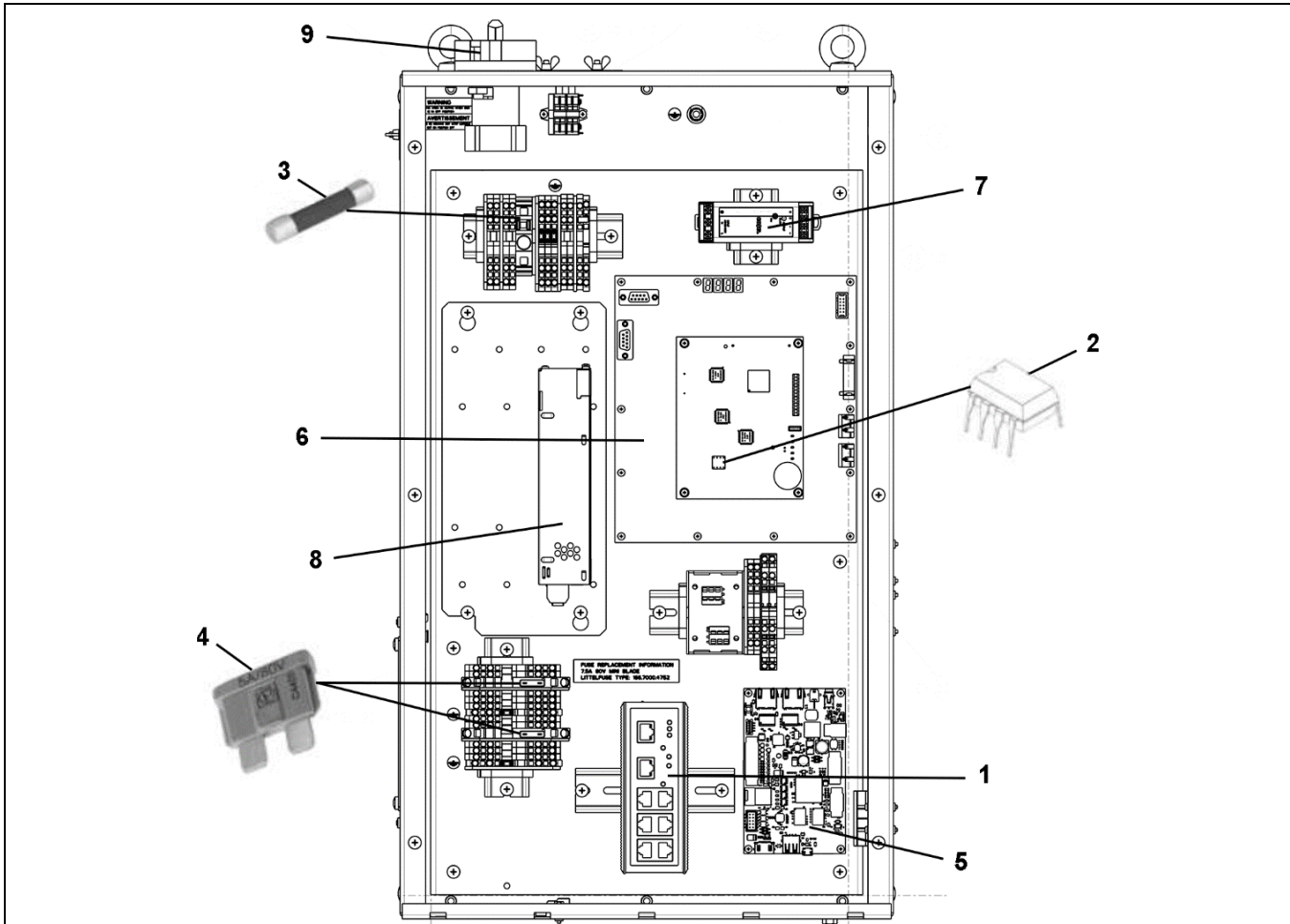
NOTE 2: The GECB-V2 requires AAA31336CAD (CAN) or AP131362CAH (Ring) or later software. If required to load software refer to TIP 1.1.22.1-1.

NOTE 3: Provide: Contract No., Machine No., and Controller part No.

8-Port 300 W MRL Dispatcher with EGIS

10-AAA25300AV

A25300AV16**



REF. No.	PART No.	DESCRIPTION
	AAA25300AV	
1	AAA639ES2-PROGRAMMED	Computer, Layer-2 8-Port Ethernet Switch, see NOTE 3
2	AAA616NL26	EEPROM, 1024K-Bit Serial (SPI bus), 8-Pin DIP (Blank), See TIP 1.1.22.1-1
3	AAA375CJ4	Fuse, Time Delay, 10 Amp (W) 115VAC Input Voltage
	AAA375CJ5	Fuse, Time Delay, 15 Amp (W) 230VAC Input Voltage
4	AAA375C19	Fuse, Time Delay, 80 V, 7.5 Amp, Mini Blade
5	GAA26800SG3-C360 GAA26800SG3-EMS	PC Board, Terminal Manager & EGIS, see NOTE 3
6	JHA26807CBN19	PC Board, GECB-V2/GPCB-IO, See NOTES 1 & 2

NOTE 1: When replacing this PC board assembly, remove and retain the 8-pin socketed EEPROM (ref. 2) from the existing processor board or your contract data will be lost.

NOTE 2: The GECB-V2 requires AAA31336CAD (CAN) or AP131362CAH (Ring) or later software. If required to load software refer to TIP 1.1.22.1-1.

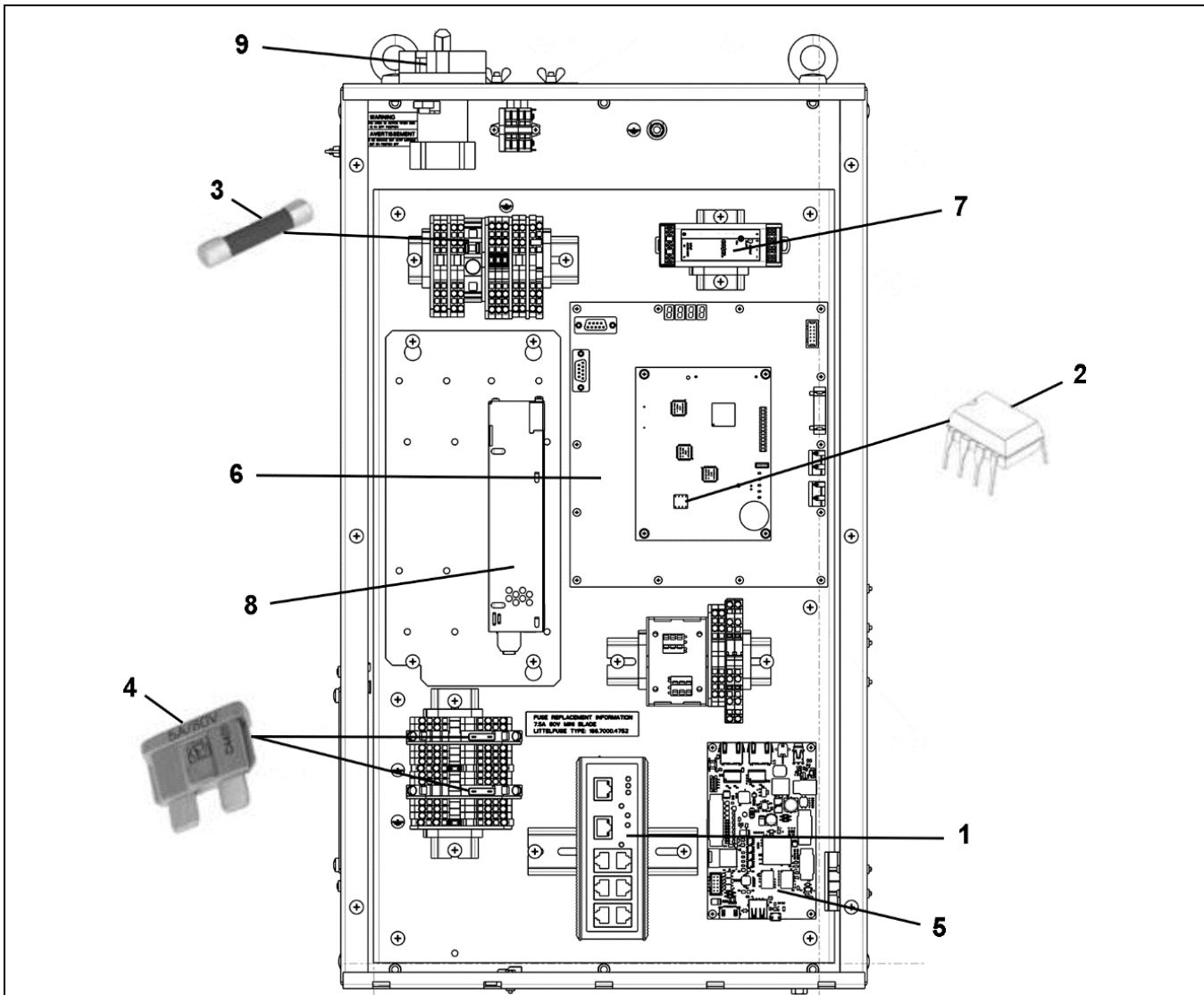
NOTE 3: Provide: Contract No., Machine No., and Controller part No.

Continued on Next Page

8-Port 300 W MRL Dispatcher with EGIS

10-AAA25300AV

A**25300AV16



AAA25300AV		
REF. No.	PART No.	DESCRIPTION
7	AAA621AT27	Power Supply, 24 VDC, 60 W
8	AAA621AN32	Power Supply, 48 VDC, 300 W
9	AAA661G7	Switch, Special Purpose
*	AAA21600KP406-25	Wiring Harness, Power, for Ref. 5 (DETM)
*	AAA174AJQ38	Wiring Harness, CAN, for Ref. 5 (EGIS)

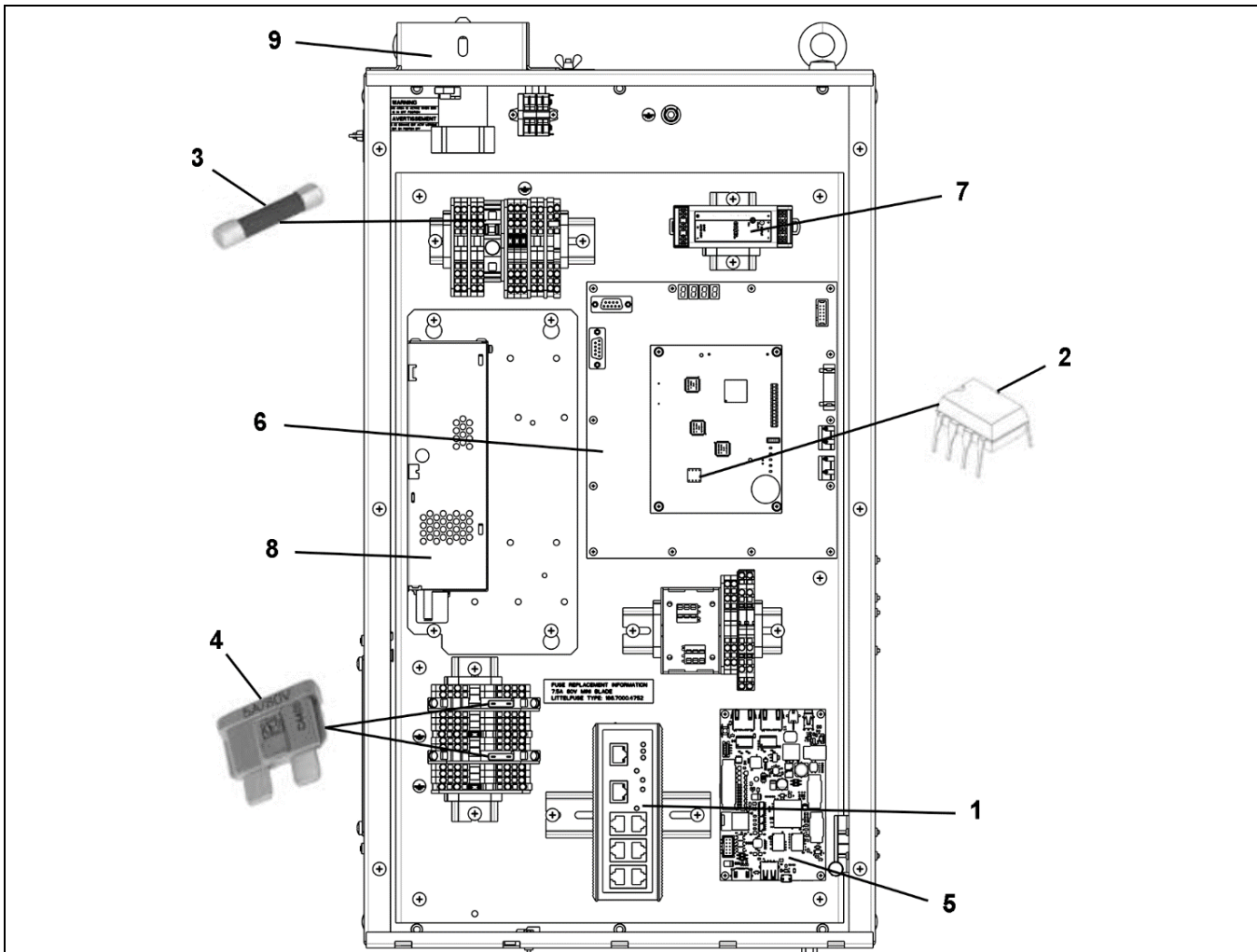
* Part not shown.

NOTE 1: When replacing this PC board assembly, remove and retain the 8-pin socketed EEPROM (ref. 2) from the existing processor board or your contract data will be lost.

NOTE 2: The GECB-V2 requires AAA31336CAD (CAN) or AP131362CAH (Ring) or later software. If required to load software refer to TIP 1.1.22.1-1.

NOTE 3: Provide: Contract No., Machine No., and Controller part No.

A25300AV17**



AAA25300AV		
REF. No.	PART No.	DESCRIPTION
1	AAA639ES2-PROGRAMMED	Computer, Layer-2 8-Port Ethernet Switch, see NOTE 3
2	AAA616NL26	EEPROM, 1024K-Bit Serial (SPI bus), 8-Pin DIP (Blank), See TIP 1.1.22.1-1
3	AAA375CJ4	Fuse, Time Delay, 10 Amp (W) 115VAC Input Voltage)
	AAA375CJ5	Fuse, Time Delay, 15 Amp (W) 230VAC Input Voltage)
4	AAA375C19	Fuse, Time Delay, 80 V, 7.5 Amp, Mini Blade
5	GAA26800SG3-C360 GAA26800SG3-EMS	PC Board, Terminal Manager & EGIS, see NOTE 3
6	JHA26807CBN19	PC Board, GECB-V2/GPCB-IO, See NOTES 1 & 2

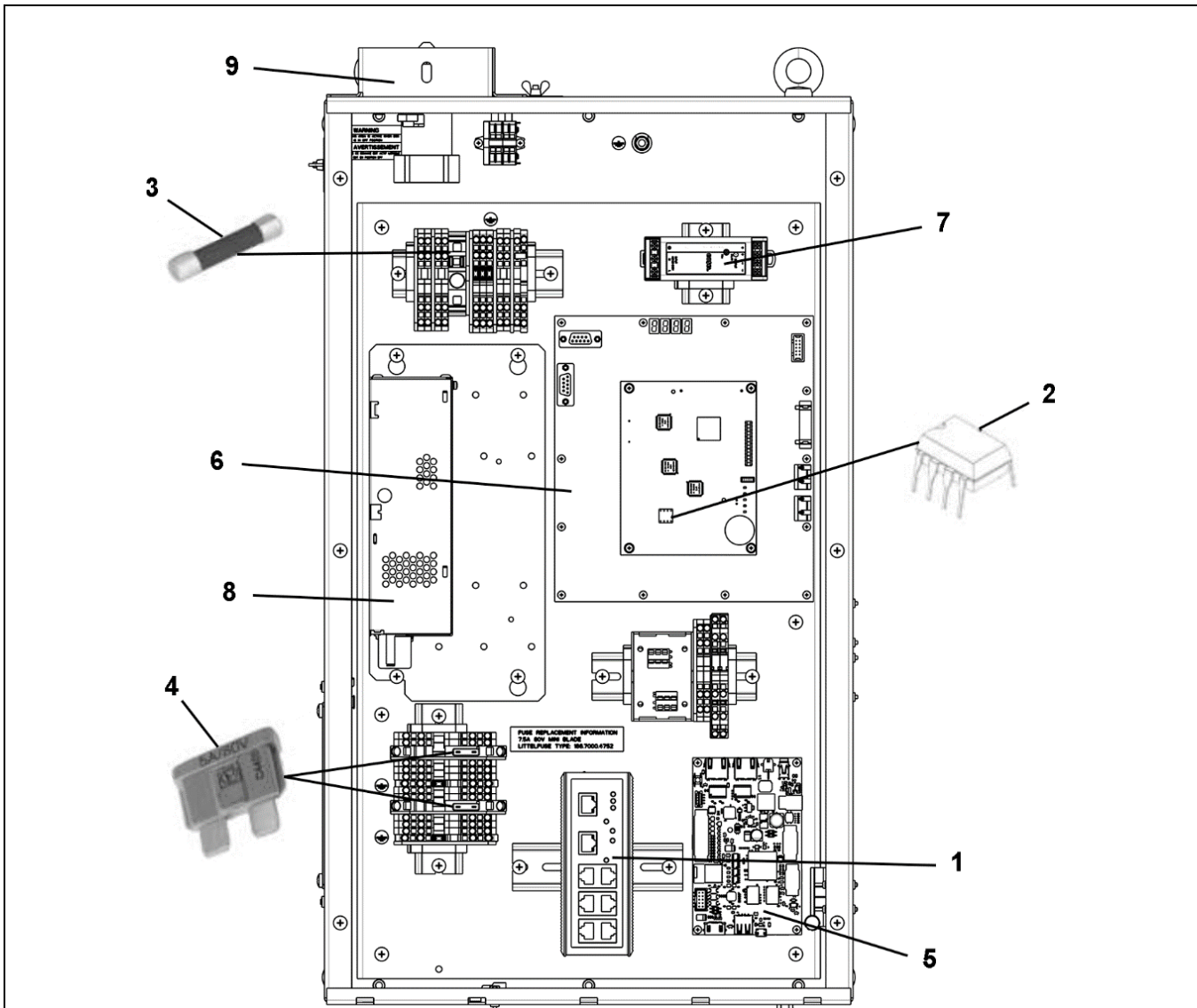
NOTE 1: When replacing this PC board assembly, remove and retain the 8-pin socketed EEPROM (ref. 2) from the existing processor board or your contract data will be lost.

NOTE 2: The GECB-V2 requires AAA31336CAD (CAN) or AP131362CAH (Ring) or later software. If required to load software refer to TIP 1.1.22.1-1.

NOTE 3: Provide: Contract No., Machine No., and Controller part No.

Continued on Next Page

A25300AV17**



AAA25300AV		
REF. No.	PART No.	DESCRIPTION
7	AAA621AT27	Power Supply, 24 VDC, 60 W
8	AAA621AN36	Power Supply, 48 VDC, 600 W
9	AAA661G7	Switch, Special Purpose
*	AAA21600KP406-25	Wiring Harness, Power, for Ref. 5 (DETM)
*	AAA174AJQ38	Wiring Harness, CAN, for Ref. 5 (EGIS)

* Part not shown.

NOTE 1: When replacing this PC board assembly, remove and retain the 8-pin socketed EEPROM (ref. 2) from the existing processor board or your contract data will be lost.

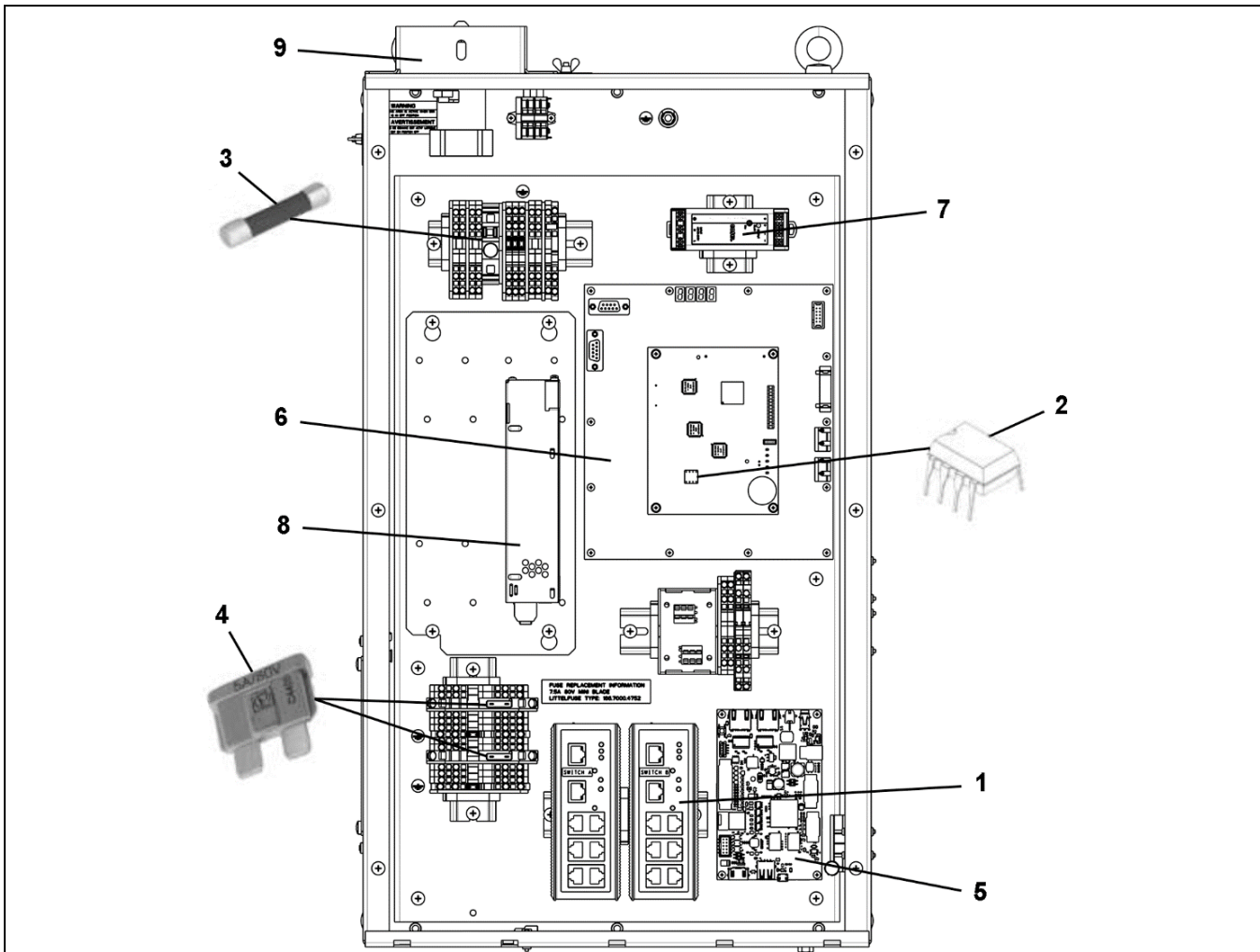
NOTE 2: The GECB-V2 requires AAA31336CAD (CAN) or AP131362CAH (Ring) or later software. If required to load software refer to TIP 1.1.22.1-1.

NOTE 3: Provide: Contract No., Machine No., and Controller part No.

2X 8-Port 300 W MRL Dispatcher with EGIS

10-AAA25300AV

A25300AV18**



REF. No.	AAA25300AV	
	PART No.	DESCRIPTION
1	AAA639ES2-PROGRAMMED	Computer, Layer-2 8-Port Ethernet Switch, see NOTE 3
2	AAA616NL26	EEPROM, 1024K-Bit Serial (SPI bus), 8-Pin DIP (Blank), See TIP 1.1.22.1-1
3	AAA375CJ4	Fuse, Time Delay, 10 Amp (W) 115 VAC Input Voltage)
	AAA375CJ5	Fuse, Time Delay, 15 Amp (W) 230 VAC Input Voltage)
4	AAA375C19	Fuse, Time Delay, 80 V, 7.5 Amp, Mini Blade
5	GAA26800SG3-C360 GAA26800SG3-EMS	PC Board, Terminal Manager & EGIS, see NOTE 3
6	JHA26807CBN19	PC Board, GECB-V2/GPCB-IO, See NOTES 1 & 2

NOTE 1: When replacing this PC board assembly, remove and retain the 8-pin socketed EEPROM (ref. 2) from the existing processor board or your contract data will be lost.

NOTE 2: The GECB-V2 requires AAA31336CAD (CAN) or AP131362CAH (Ring) or later software. If required to load software refer to TIP 1.1.22.1-1.

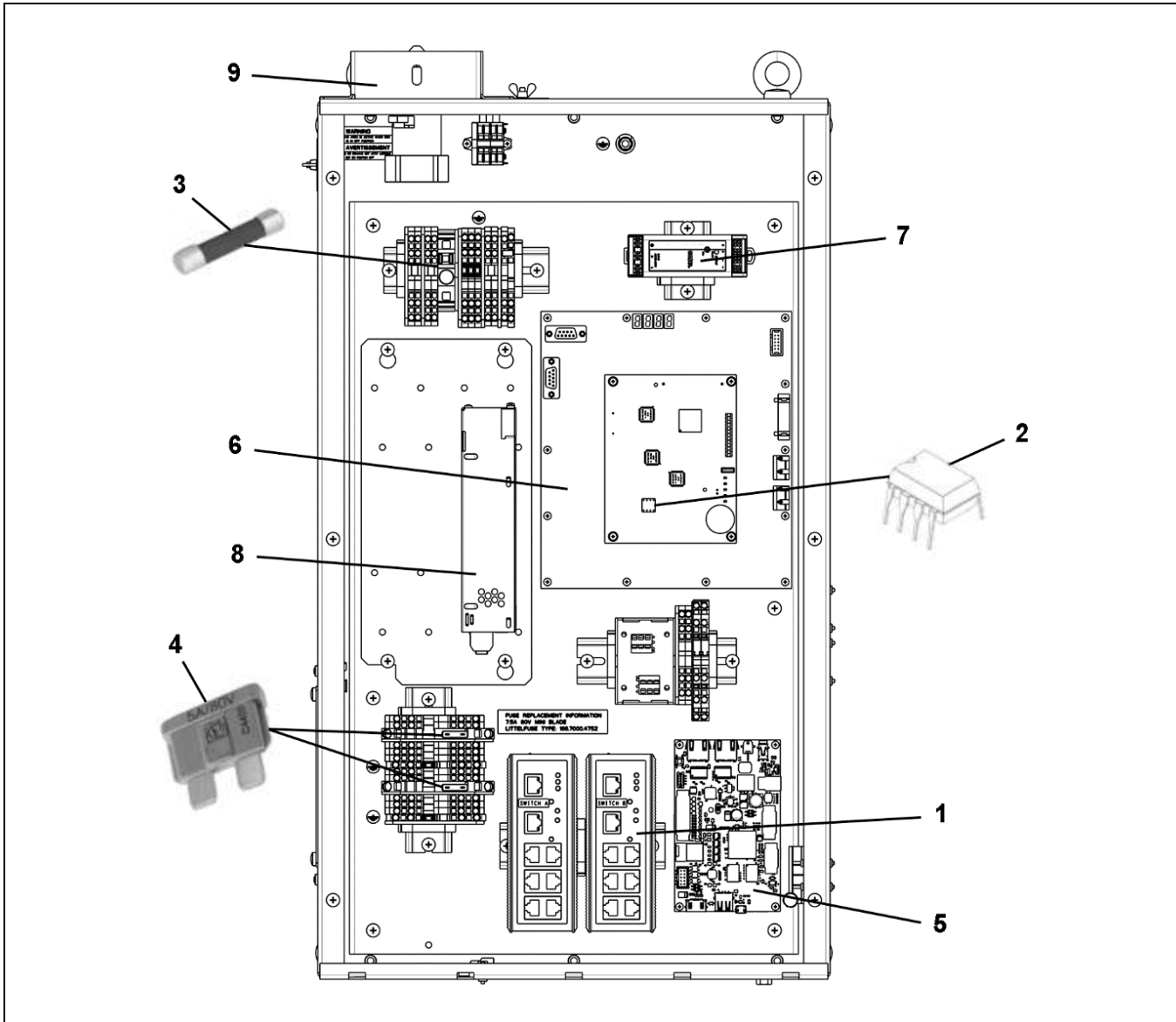
NOTE 3: Provide: Contract No., Machine No., and Controller part No.

Continued on Next Page

2X 8-Port 300 W MRL Dispatcher with EGIS

10-AAA25300AV

A25300AV18**



REF. No.	AAA25300AV	
	PART No.	DESCRIPTION
7	AAA621AT27	Power Supply, 24 VDC, 60 W
8	AAA621AN32	Power Supply, 48 VDC, 300 W
9	AAA661G7	Switch, Special Purpose
*	AAA21600KP406-25	Wiring Harness, Power, for Ref. 5 (DETM)
*	AAA174AJQ38	Wiring Harness, CAN, for Ref. 5 (EGIS)

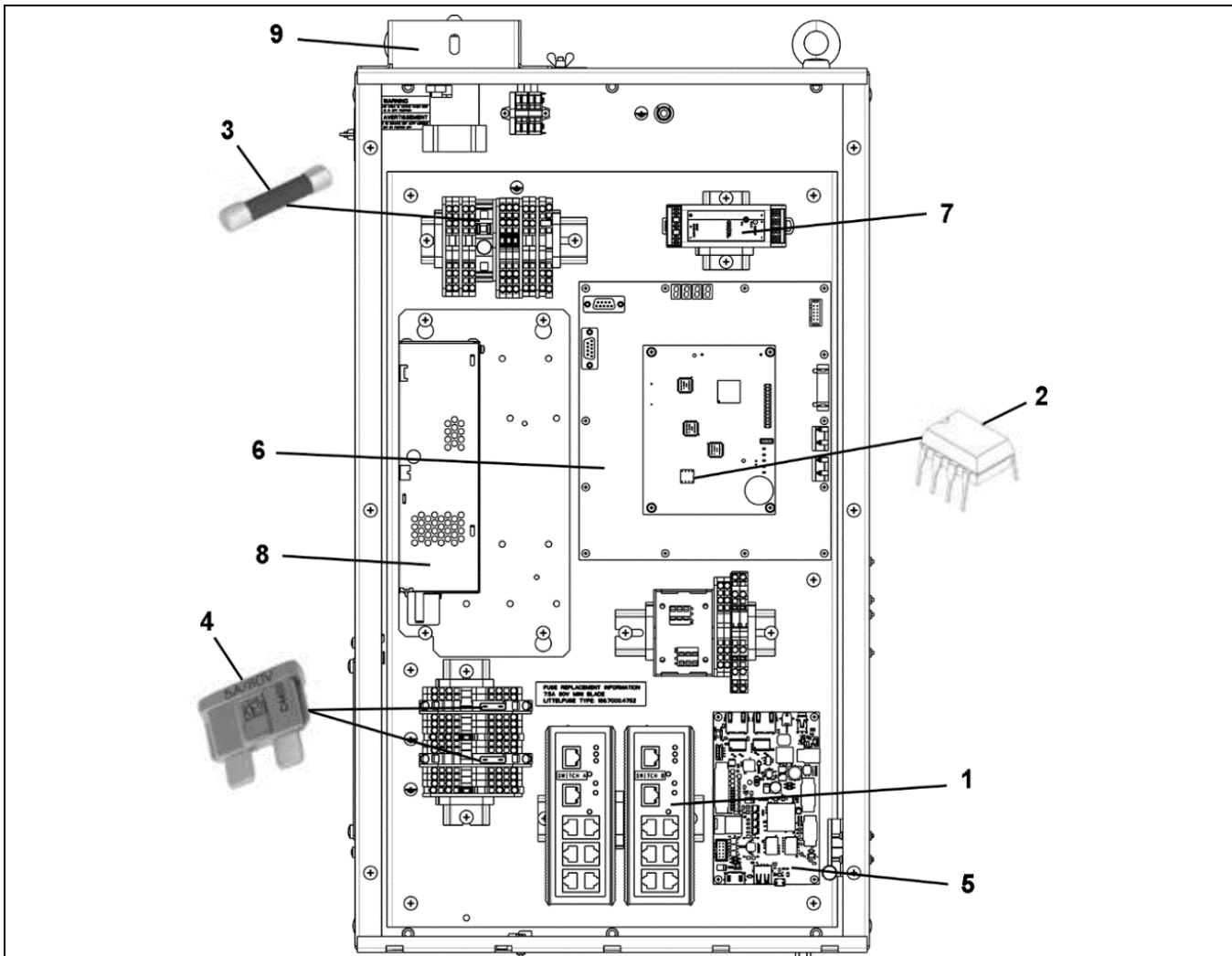
* Part not shown.

NOTE 1: When replacing this PC board assembly, remove and retain the 8-pin socketed EEPROM (ref. 2) from the existing processor board or your contract data will be lost.

NOTE 2: The GECB-V2 requires AAA31336CAD (CAN) or AP131362CAH (Ring) or later software. If required to load software refer to TIP 1.1.22.1-1.

NOTE 3: Provide: Contract No., Machine No., and Controller part No.

2X 8-Port 600 W MRL Dispatcher with EGIS **10-AAA25300AV** A**25300AV19



REF. No.	AAA25300AV	DESCRIPTION
	PART No.	
1	AAA639ES2-PROGRAMMED	Computer, Layer-2 8-Port Ethernet Switch, see NOTE 3
2	AAA616NL26	EEPROM, 1024K-Bit Serial (SPI bus), 8-Pin DIP (Blank), See TIP 1.1.22.1-1
3	AAA375CJ4	Fuse, Time Delay, 10 Amp (W→115 VAC Input Voltage)
	AAA375CJ5	Fuse, Time Delay, 15 Amp (W→230 VAC Input Voltage)
4	AAA375C19	Fuse, Time Delay, 80 V, 7.5 Amp, Mini Blade
5	GAA26800SG3-C360 GAA26800SG3-EMS	PC Board, Terminal Manager & EGIS, see NOTE 3
6	JHA26807CBN19	PC Board, GECB-V2/GPCB-IO, See NOTES 1 & 2

NOTE 1: When replacing this PC board assembly, remove and retain the 8-pin socketed EEPROM (ref. 2) from the existing processor board or your contract data will be lost.

NOTE 2: The GECB-V2 requires AAA31336CAD (CAN) or AP131362CAH (Ring) or later software. If required to load software refer to TIP 1.1.22.1-1.

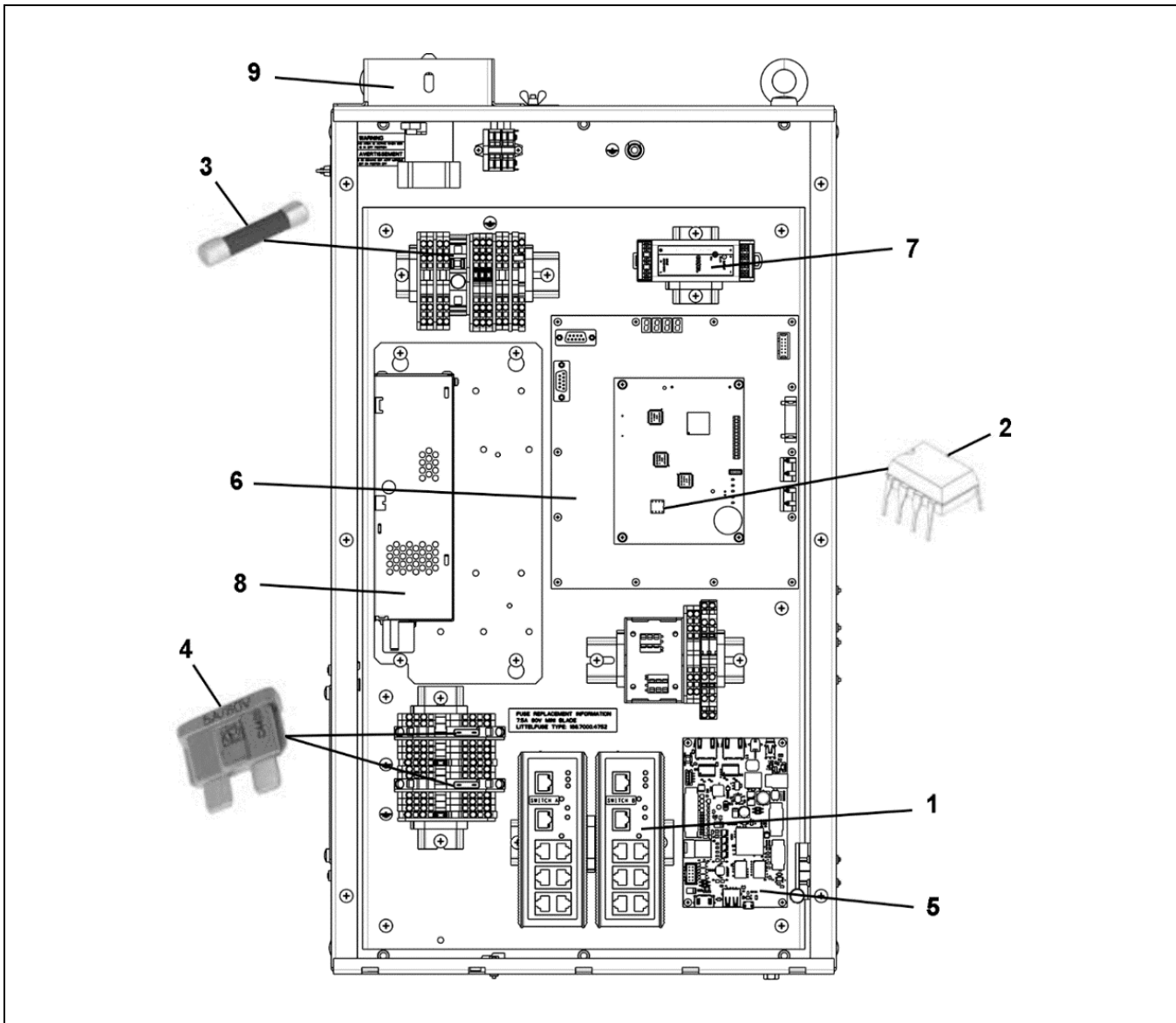
NOTE 3: Provide: Contract No., Machine No., and Controller part No.

Continued on Next Page

2X 8-Port 600 W MRL Dispatcher with EGIS

10-AAA25300AV

A25300AV19**



REF. No.	AAA25300AV	DESCRIPTION
	PART No.	
7	AAA621AT27	Power Supply, 24 VDC, 60 W
8	AAA621AN36	Power Supply, 48 VDC, 600 W
9	AAA661G7	Switch, Special Purpose
*	AAA21600KP406-25	Wiring Harness, Power, for Ref. 5 (DETM)
*	AAA174AJQ38	Wiring Harness, CAN, for Ref. 5 (EGIS)

* Part not shown.

NOTE 1: When replacing this PC board assembly, remove and retain the 8-pin socketed EEPROM (ref. 2) from the existing processor board or your contract data will be lost.

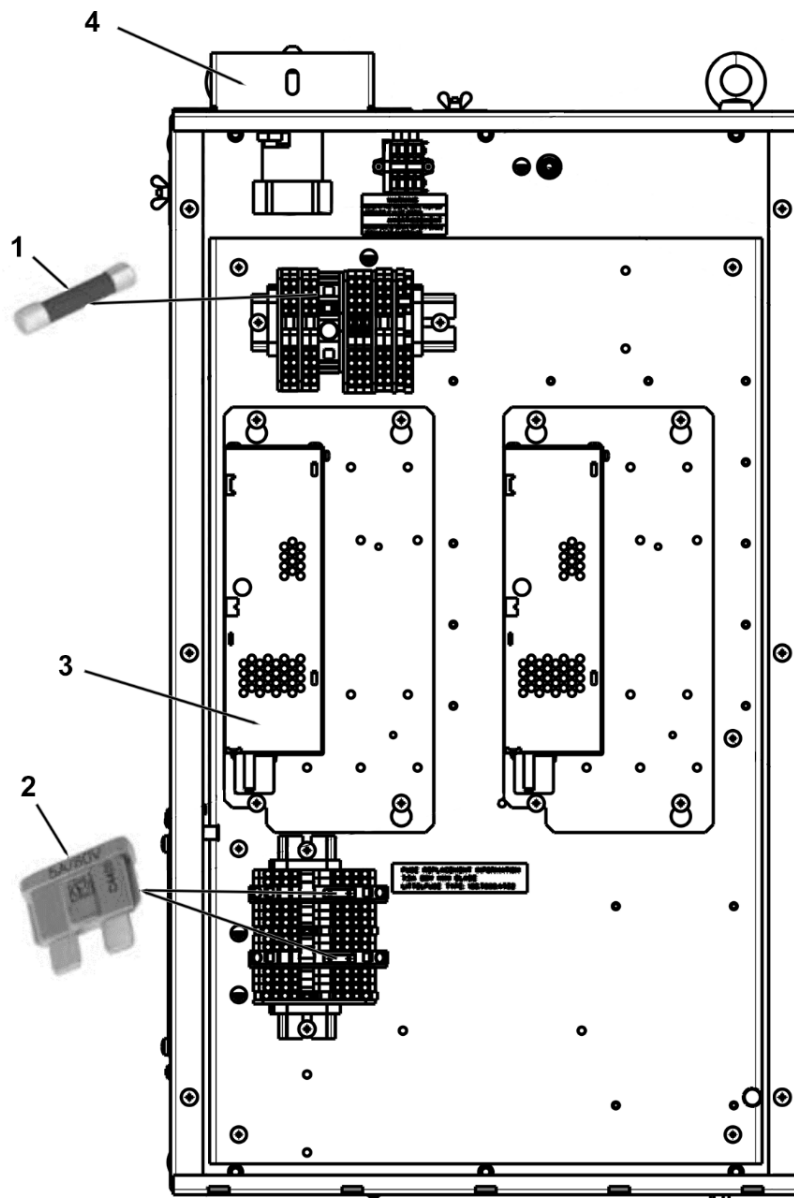
NOTE 2: The GECB-V2 requires AAA31336CAD (CAN) or AP131362CAH (Ring) or later software. If required to load software refer to TIP 1.1.22.1-1.

NOTE 3: Provide: Contract No., Machine No., and Controller part No.

2X 600 W Power Expansion Box

10-AAA25300AV

A25300AV20**



AAA25300AV		
REF. No.	PART No.	DESCRIPTION
1	AAA375CJ4	Fuse, Time Delay, 10 Amp (W- 115 VAC Input Voltage)
	AAA375CJ5	Fuse, Time Delay, 15 Amp (W- 230 VAC Input Voltage)
2	AAA375C19	Fuse, Time Delay, 80 V, 7.5 Amp, Mini Blade
3	AAA621AN36	Power Supply, 48 VDC, 600 W
4	AAA661G7	Switch, Special Purpose