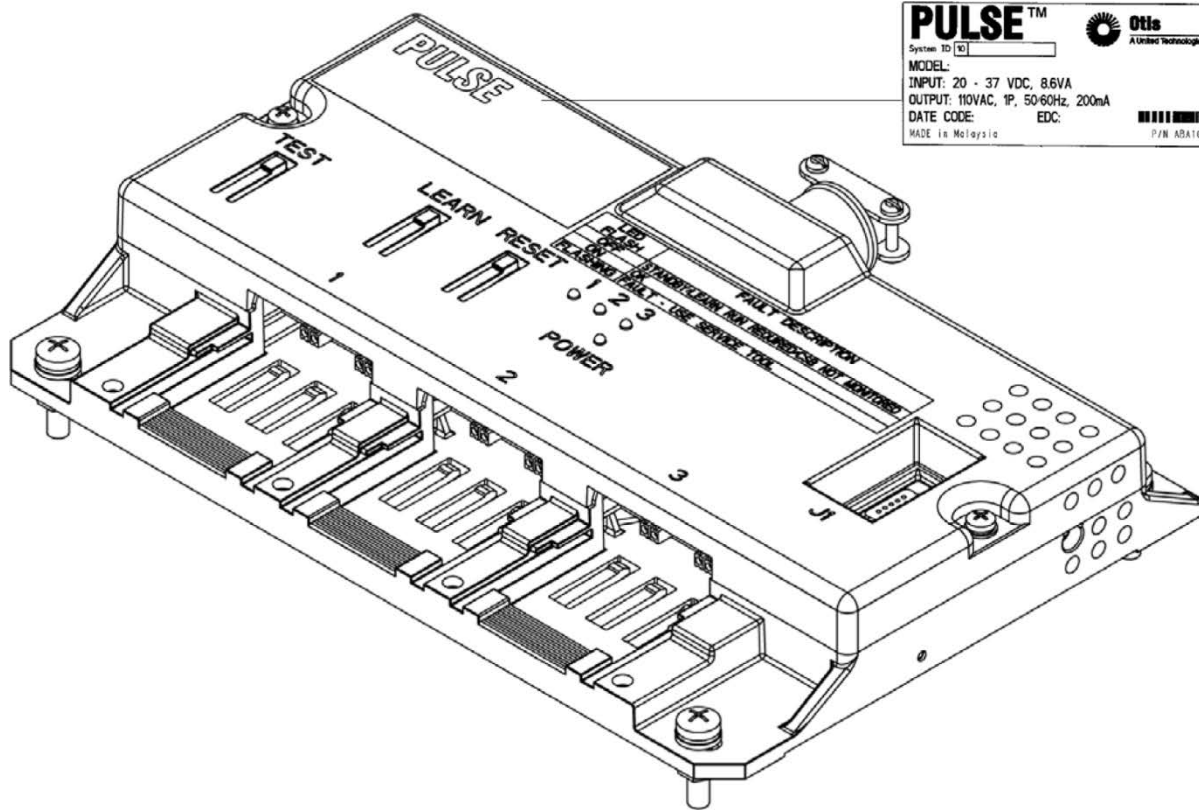



Pulse™ CSB Monitor for  
34 kN and 43 kN CSB

Spare Parts Leaflet  
10-AAA21700AG

February 4, 2015 / Page 1 of 9



**PULSE™**  **Otis**  
A United Technologies Company

System ID: 10

MODEL:

INPUT: 20 - 37 VDC, 8.6VA

OUTPUT: 110VAC, 1P, 50/60Hz, 200mA

DATE CODE: EDC:

MADE in Malaysia

P/N: ABA102AMV3

**OTIS**

SERVICE ENGINEERING  
Otis Elevator Company  
Bloomfield, Connecticut USA

Unpublished Work—© Otis Elevator Co.; 2015

## Leaflet Description

The Pulse™ CSB monitor is used on Gen2 elevator systems with 34 kN and 43 kN coated steel belts.

## Leaflet Revisions

Date Revised	Subject Matter Expert	Reason for Revision
July 17, 2009	Peter Keyo	New SPL
August 4, 2009	Peter Keyo	Updated SPL to reflect change in part numbers from AAA26800ARQx to ABA26800ARQx
March 18, 2011	Peter Keyo	Updated SPL to reflect change in part numbers from ABA26800ARQx to ACA26800ARQx, added EEPROM and temperature sensor as LRUs
September 26, 2012	Peter Keyo	Updated SPL to reflect change in part numbers for PCBA
December 2, 2013	Peter Liaskas	Updated SPL to reflect change in part numbers for PCBA
January 22, 2014	Peter Liaskas	Updated SPL to reflect change in part numbers.
February 4, 2015	Peter Liaskas	Updated part tables to clarify part numbers and their application

## Related Drawings

Drawing No.	Title	Drawing No.	Title
ABA21700AG	CSB Monitor 34 kN / 43 kN	AAA717AJ	34/43 kN CSB

## Related Documents

Document ID	Title
ABA21700AG_BD	Pulse CSB Monitor for 34 kN and 43 kN Coated Steel Belts Basic Data

## Subject Matter Expert

Name	Department
Peter Liaskas	OECF Electrical Engineering

## About Spare Parts Leaflets...

This document lists the lowest replaceable units (LRUs) for the standard version of the product. The LRUs are chosen by a team of Otis associates representing engineering and manufacturing.

While goal of this document is to make parts identification as easy as possible, the document cannot be all-inclusive. Elevator and escalator contracts classified as "special" or "custom" are not addressed here. For such contracts, please refer to specified information, the contract folder, TIPs, Field Education Articles, Construction Letters, etc. for further information.

If you have any suggestions about this document, please contact the subject matter expert listed on this page.

## Definitions and Acronyms

ANSI – American National Standards Institute

CSB – Coated Steel Belt

EEPROM – Electronically Erasable Programmable Read Only Memory

EN – European Committee for Standardization

JIS – Japanese Industrial Standards

LRU – Lowest Replaceable Unit

MRL – Machine Roomless

MMR – Mini-Machine Room

PCB – Printed Circuit Board

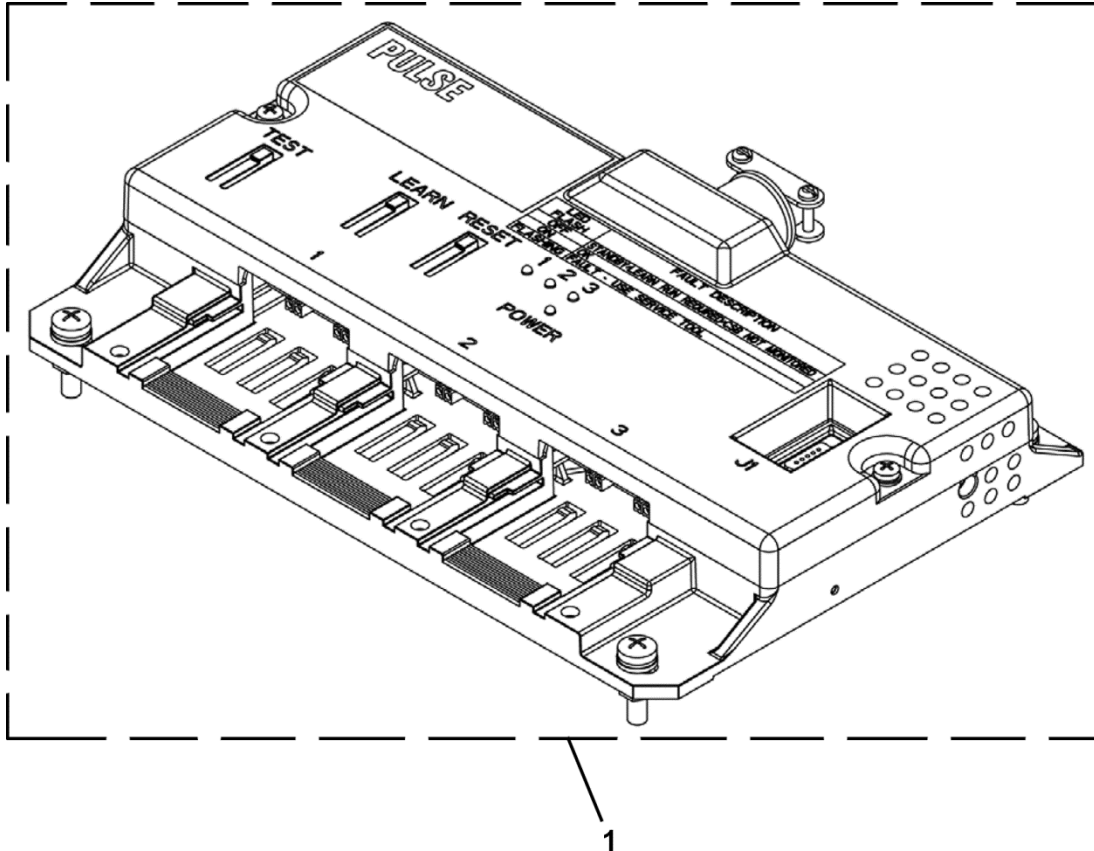
SPL – Spare Parts Leaflet

## Part Numbering

The following part numbering scheme has been adopted throughout this document:

There are 16 unique part numbers from 1 to 16 (ABA21700AG1 to ABA21700AG16). Part numbers that are preceded by the number “10” for single digit part numbers and “1” for double digit part numbers are configured to **ANSI** safety code: for example, ABA21700AG101 or ABA21700AG116. Part numbers that are preceded by the number “20” for single digit part numbers and “2” for double digit part numbers are configured to **JIS** safety code: for example, ABA21700AG201 or ABA21700AG216. Part numbers that are not preceded by any number are configured to **EN** safety code: for example, ABA21700AG1 or ABA21700AG16.

The same part numbering scheme applies to the bare boards. For example, ADA26800ARL1, 101, and 201, represents EN, ANSI, and JIS respectively.



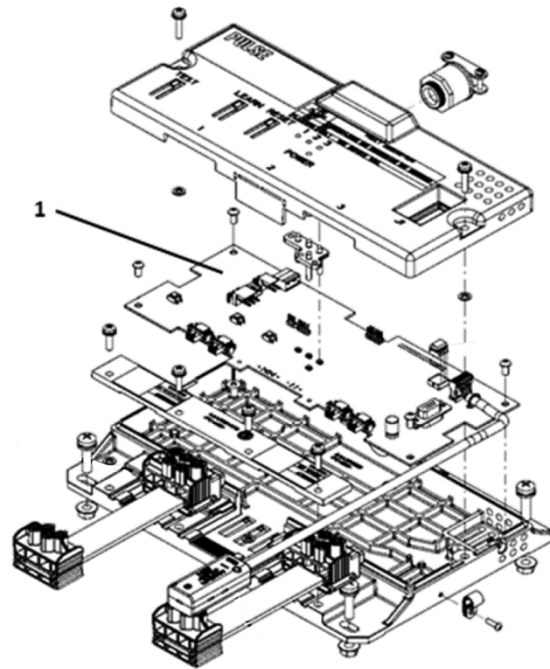
REF. No.	EN PART No.	ANSI PART No.	JIS PART No.	MOUNTING LOCATION	CSB WIDTH / RATING	No. CSB	DESCRIPTION
1	AAA21700AG1	AAA21700AG101	AAA21700AG201	MRL	25 mm / 34 kN	2	<b>CSB Monitor Assembly</b>
	AAB21700AG1	AAB21700AG101	AAB21700AG201				
	AAC21700AG1	AAC21700AG101	AAC21700AG201				
	ABA21700AG1	ABA21700AG101	ABA21700AG201				
	AAA21700AG1	AAA21700AG102	AAA21700AG202			3	
	AAB21700AG2	AAB21700AG102	AAB21700AG202				
	AAC21700AG2	AAC21700AG102	AAC21700AG202				
	ABA21700AG2	ABA21700AG102	ABA21700AG202				
	AAA21700AG1	AAA21700AG103	AAA21700AG203			4	
	AAB21700AG3	AAB21700AG103	AAB21700AG203				
	AAC21700AG3	AAC21700AG103	AAC21700AG203				
	ABA21700AG3	ABA21700AG103	ABA21700AG203				

(Continued on next page)

# Pulse CSB Monitor Assembly

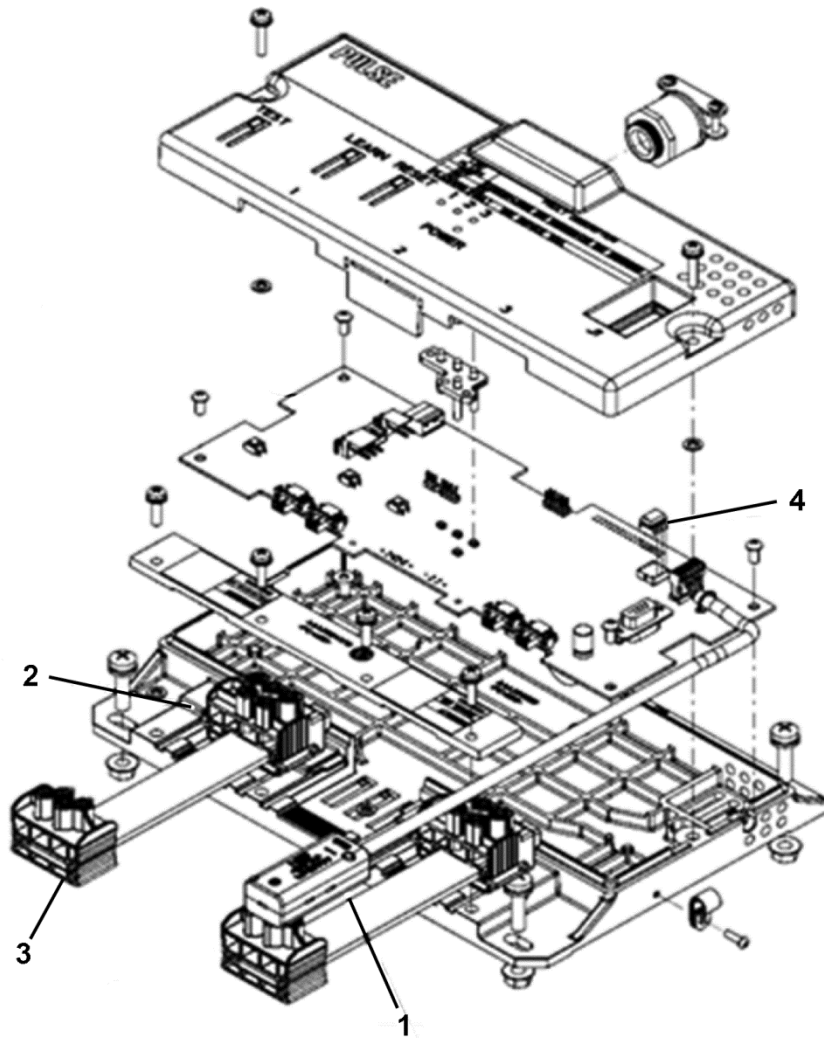
10-AAA21700AG

REF. No.	EN PART No.	ANSI PART No.	JIS PART No.	MOUNTING LOCATION	CSB WIDTH / RATING	No. CSB	DESCRIPTION
1	AAA21700AG4 AAB21700AG4 AAC21700AG4 ABA21700AG4	AAA21700AG104 AAB21700AG104 AAC21700AG104 ABA21700AG104	AAA21700AG204 AAB21700AG204 AAC21700AG204 ABA21700AG204	MRL	25 mm / 34 kN	5	CSB Monitor Assembly
	AAA21700AG5 AAB21700AG5 AAC21700AG5 ABA21700AG5	AAA21700AG105 AAB21700AG105 AAC21700AG105 ABA21700AG105	AAA21700AG205 AAB21700AG205 AAC21700AG205 ABA21700AG205	MMR	25 mm / 34 kN	2	
	AAA21700AG6 AAB21700AG6 AAC21700AG6 ABA21700AG6	AAA21700AG106 AAB21700AG106 AAC21700AG106 ABA21700AG106	AAA21700AG206 AAB21700AG206 AAC21700AG206 ABA21700AG206			3	
	AAA21700AG7 AAB21700AG7 AAC21700AG7 ABA21700AG7	AAA21700AG107 AAB21700AG107 AAC21700AG107 ABA21700AG107	AAA21700AG207 AAB21700AG207 AAC21700AG207 ABA21700AG207			4	
	AAA21700AG8 AAB21700AG8 AAC21700AG8 ABA21700AG8	AAA21700AG108 AAB21700AG108 AAC21700AG108 ABA21700AG108	AAA21700AG208 AAB21700AG208 AAC21700AG208 ABA21700AG208			5	
	AAA21700AG9 AAB21700AG9 AAC21700AG9 ABA21700AG9	AAA21700AG109 AAB21700AG109 AAC21700AG109 ABA21700AG109	AAA21700AG209 AAB21700AG209 AAC21700AG209 ABA21700AG209			2	
	AAA21700AG10 AAB21700AG10 AAC21700AG10 ABA21700AG10	AAA21700AG110 AAB21700AG110 AAC21700AG110 ABA21700AG110	AAA21700AG210 AAB21700AG210 AAC21700AG210 ABA21700AG210	MRL	30 mm / 43 kN	3	
	AAA21700AG11 AAB21700AG11 AAC21700AG11 ABA21700AG11	AAA21700AG111 AAB21700AG111 AAC21700AG111 ABA21700AG111	AAA21700AG211 AAB21700AG211 AAC21700AG211 ABA21700AG211			4	
	AAA21700AG12 AAB21700AG12 AAC21700AG12 ABA21700AG12	AAA21700AG112 AAB21700AG112 AAC21700AG112 ABA21700AG112	AAA21700AG212 AAB21700AG212 AAC21700AG212 ABA21700AG212			5	
	AAA21700AG13 AAB21700AG13 AAC21700AG13 ABA21700AG13	AAA21700AG113 AAB21700AG113 AAC21700AG113 ABA21700AG113	AAA21700AG213 AAB21700AG213 AAC21700AG213 ABA21700AG213			2	
	AAA21700AG14 AAB21700AG14 AAC21700AG14 ABA21700AG14	AAA21700AG114 AAB21700AG114 AAC21700AG114 ABA21700AG114	AAA21700AG214 AAB21700AG214 AAC21700AG214 ABA21700AG214	MMR	30 mm / 43 kN	3	
	AAA21700AG15 AAB21700AG15 AAC21700AG15 ABA21700AG15	AAA21700AG115 AAB21700AG115 AAC21700AG115 ABA21700AG115	AAA21700AG215 AAB21700AG215 AAC21700AG215 ABA21700AG215			4	
	AAA21700AG16 AAB21700AG16 AAC21700AG16 ABA21700AG16	AAA21700AG116 AAB21700AG116 AAC21700AG116 ABA21700AG116	AAA21700AG216 AAB21700AG216 AAC21700AG216 ABA21700AG216			5	

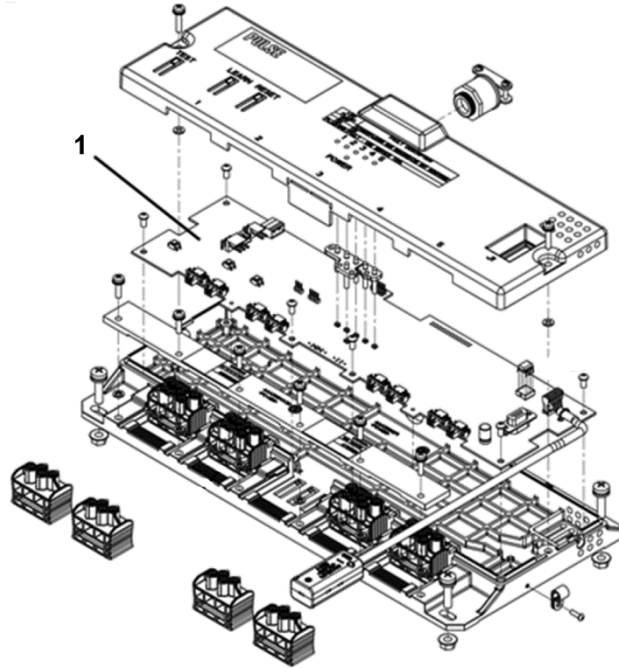


REF. No.	PART No.	DESCRIPTION	APPLICATION	REMARKS
1	AAA26800ARL1, 101, 201 ABA26800ARL1, 101, 201 ACA26800ARL1, 101, 201 ADA26800ARL1, 101, 201	Pulse CSB Monitor PCB – 34 kN (25 mm) CSB - MRL	A__21700AG1, 101, 201	2 Belts
	AAA26800ARL2, 102, 202 ABA26800ARL2, 102, 202 ACA26800ARL2, 102, 202 ADA26800ARL2, 102, 202		A__21700AG2, 102, 202	3 Belts
	AAA26800ARL3, 103, 203 ABA26800ARL3, 103, 203 ACA26800ARL3, 103, 203 ADA26800ARL3, 103, 203	Pulse CSB Monitor PCB – 34 kN (25 mm) CSB - MMR	A__21700AG5, 105, 205	2 Belts
	AAA26800ARL4, 104, 204 ABA26800ARL4, 104, 204 ACA26800ARL4, 104, 204 ADA26800ARL4, 104, 204		A__21700AG6, 106, 206	3 Belts
	AAA26800ARL5, 105, 205 ABA26800ARL5, 105, 205 ACA26800ARL5, 105, 205 ADA26800ARL5, 105, 205	Pulse CSB Monitor PCB – 43 kN (30 mm) CSB - MRL	A__21700AG9, 109, 209	2 Belts
	AAA26800ARL6, 106, 206 ABA26800ARL6, 106, 206 ACA26800ARL6, 106, 206 ADA26800ARL6, 106, 206		A__21700AG10, 110, 210	3 Belts
	AAA26800ARL7, 107, 207 ABA26800ARL7, 107, 207 ACA26800ARL7, 107, 207 ADA26800ARL7, 107, 207	Pulse CSB Monitor PCB – 43 kN (30 mm) CSB - MMR	A__21700AG13, 113, 213	2 Belts
	AAA26800ARL8, 108, 208 ABA26800ARL8, 108, 208 ACA26800ARL8, 108, 208 ADA26800ARL8, 108, 208		A__21700AG14, 114, 214	3 Belts

(Continued on next page)



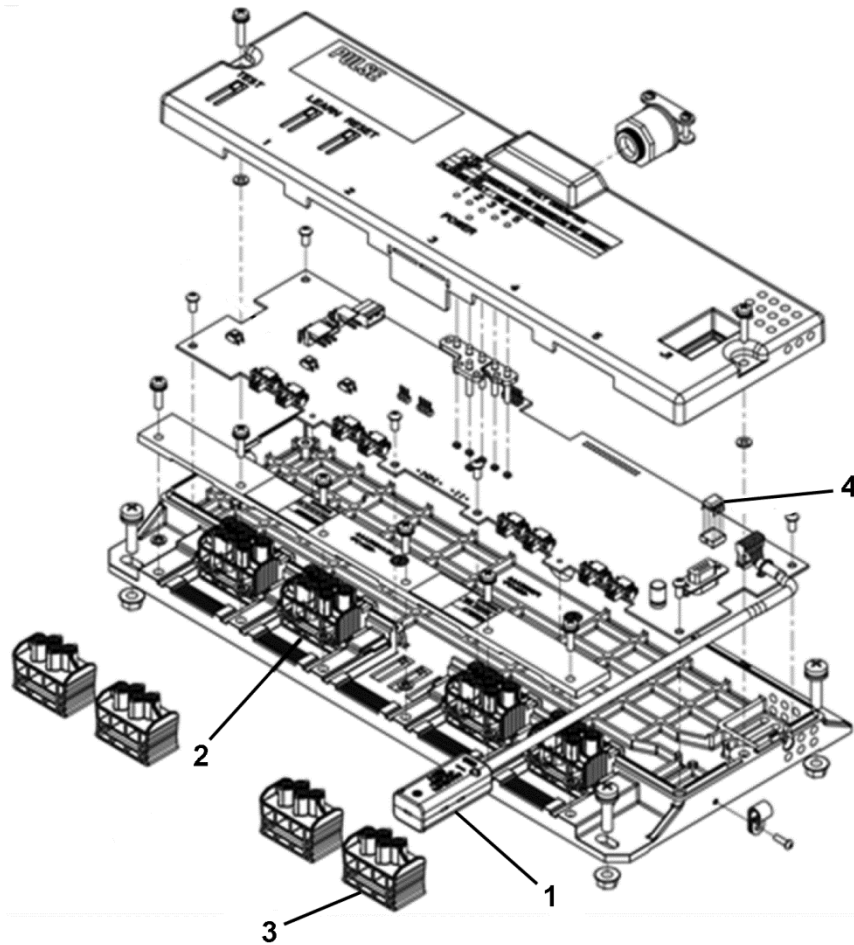
REF. No.	PART No.	DESCRIPTION	APPLICATION	REMARKS
1	AAA21600CB1	Assembly, Remote Temperature Sensor	A_21700AG5, 6, 13, 14 A_21700AG105, 106, 113, 114 A_21700AG205, 206, 213, 214	For machine room only
2	AAA649J1 AAA649J2	Clamp, Monitor	34kN CSB – AAA717AJ1 43kN CSB – AAA717AJ2	Circuit board side
3	AAA649J11 AAA649J12	Clamp, Shorting	34kN CSB – AAA717AJ1 43kN CSB – AAA717AJ2	Non-Circuit board side
4	AAA616NL16	EEPROM	A_21700AG	EEPROM, blank



REF. No.	PART No.	DESCRIPTION	APPLICATION	REMARKS
1	ABA26800ARQ1, 101, 201 ACA26800ARQ1, 101, 201 ADA26800ARQ1, 101, 201 AEA26800ARQ1, 101, 201	Pulse CSB Monitor PCB – 34kN (25 mm) CSB - MRL	A__21700AG3, 103, 203	4 Belts
	ABA26800ARQ2, 102, 202 ACA26800ARQ2, 102, 202 ADA26800ARQ2, 102, 202 AEA26800ARQ2, 102, 202		A__21700AG4, 104, 204	5 Belts
	ABA26800ARQ3, 103, 203 ACA26800ARQ3, 103, 203 ADA26800ARQ3, 103, 203 AEA26800ARQ3, 103, 203	Pulse CSB Monitor PCB – 34kN (25 mm) CSB - MMR	A__21700AG7, 107, 207	4 Belts
	ABA26800ARQ4, 104, 204 ACA26800ARQ4, 104, 204 ADA26800ARQ4, 104, 204 AEA26800ARQ4, 104, 204		A__21700AG8, 108, 208	5 Belts
	ABA26800ARQ5, 105, 205 ACA26800ARQ5, 105, 205 ADA26800ARQ5, 105, 205 AEA26800ARQ5, 105, 205	Pulse CSB Monitor PCB – 43kN (30 mm) CSB - MRL	A__21700AG11, 111, 211	4 Belts
	ABA26800ARQ6, 106, 206 ACA26800ARQ6, 106, 206 ADA26800ARQ6, 106, 206 AEA26800ARQ6, 106, 206		A__21700AG12, 112, 212	5 Belts
	ABA26800ARQ7, 107, 207 ACA26800ARQ7, 107, 207 ADA26800ARQ7, 107, 207 AEA26800ARQ7, 107, 207	Pulse CSB Monitor PCB – 43kN (30 mm) CSB - MMR	A__21700AG15, 115, 215	4 Belts
	ABA26800ARQ8, 108, 208 ACA26800ARQ8, 108, 208 ADA26800ARQ8, 108, 208 AEA26800ARQ8, 108, 208		A__21700AG16, 116, 216	5 Belts

(Continued on next page)





REF. No.	PART No.	DESCRIPTION	APPLICATION	REMARKS
1	AAA21600CB1	Assembly, Remote Temperature Sensor	A_21700AG7, 8, 15, 16 A_21700AG107, 108, 115, 116 A_21700AG207, 208, 215, 216	For machine room only
2	AAA649J1 AAA649J2	Clamp, Monitor	34kN CSB – AAA717AJ1 43kN CSB – AAA717AJ2	Circuit board side
3	AAA649J11 AAA649J12	Clamp, Shorting	34kN CSB – AAA717AJ1 43kN CSB – AAA717AJ2	Non-Circuit board side
4	AAA616NL16	EEPROM	A_21700AG	EEPROM, blank