

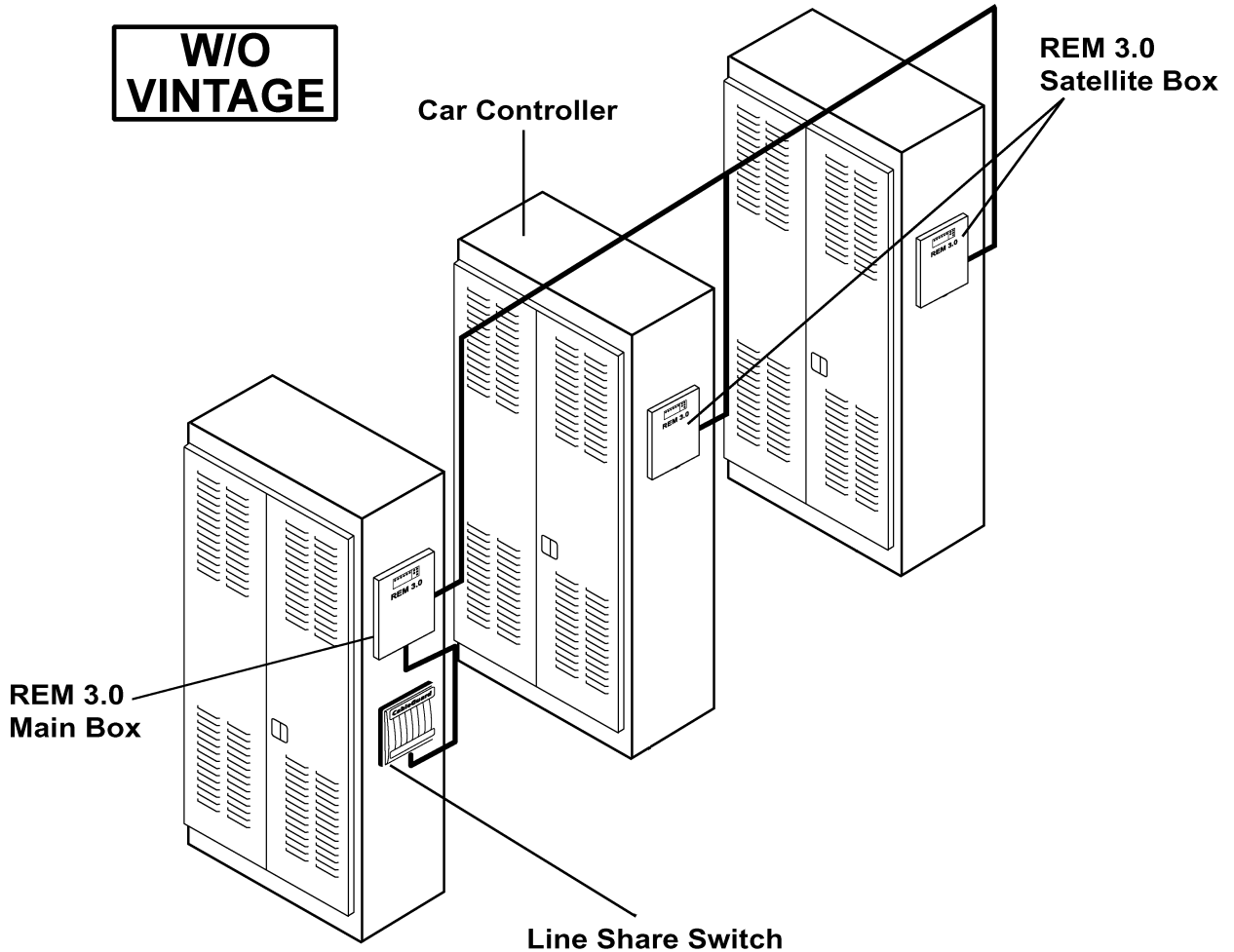
# REM<sup>®</sup> 3.0

## Spare Parts Leaflet

10-AAA21700A

January 18, 2002 / Page 1 of 15

**W/O  
VINTAGE**



Note: Typical installation. Locations of REM components vary.

Unpublished Work—© Otis Elevator Co., 2002

**OTIS**

**Safety First!**

**SERVICE ENGINEERING**  
Otis Elevator Company  
Bloomfield, Connecticut USA

**Leaflet Description**

This leaflet covers the lowest replaceable units (LRUs) for the REM<sup>®</sup> 3.0 system, including main land line, CDPD wireless, and satellite units. The manufacturing period of REM<sup>®</sup> 3.0 was between 1996–2000. The SPL covers equipment manufactured to Engineering drawings AEA21700A and AFA21700A.

**Leaflet Revisions**

<b>Date Revised</b>	<b>Subject Matter Expert</b>	<b>Reason for Revision</b>
January 18, 2002	Michael Schiappa	New SPL

**Related Drawings**

<b>Drawing No.</b>	<b>Title</b>	<b>Drawing No.</b>	<b>Title</b>
AEA21700A	Monitor Equipment Assembly REM III	AGA26800LZ	Board Assy, 6 Input Master or Slave REM III / ORS
AAA21749B	Installation Kit, REM III Retrofit (Hydraulic Elevators)		

**Related Documents**

<b>Document ID</b>	<b>Title</b>
Installation Instructions 53745	<i>REMIII for E335M Installation Instructions</i>
Installation Instructions 53567	<i>REMIII for E401 Installation Instructions</i>
Installation Instructions 53572	<i>REMIII for LMCSS Installation Instructions</i>
Installation Instructions 52837	<i>REMIII for LVM/211M/LVM Phase II Hydraulics Installation Instructions</i>

**Subject Matter Expert**

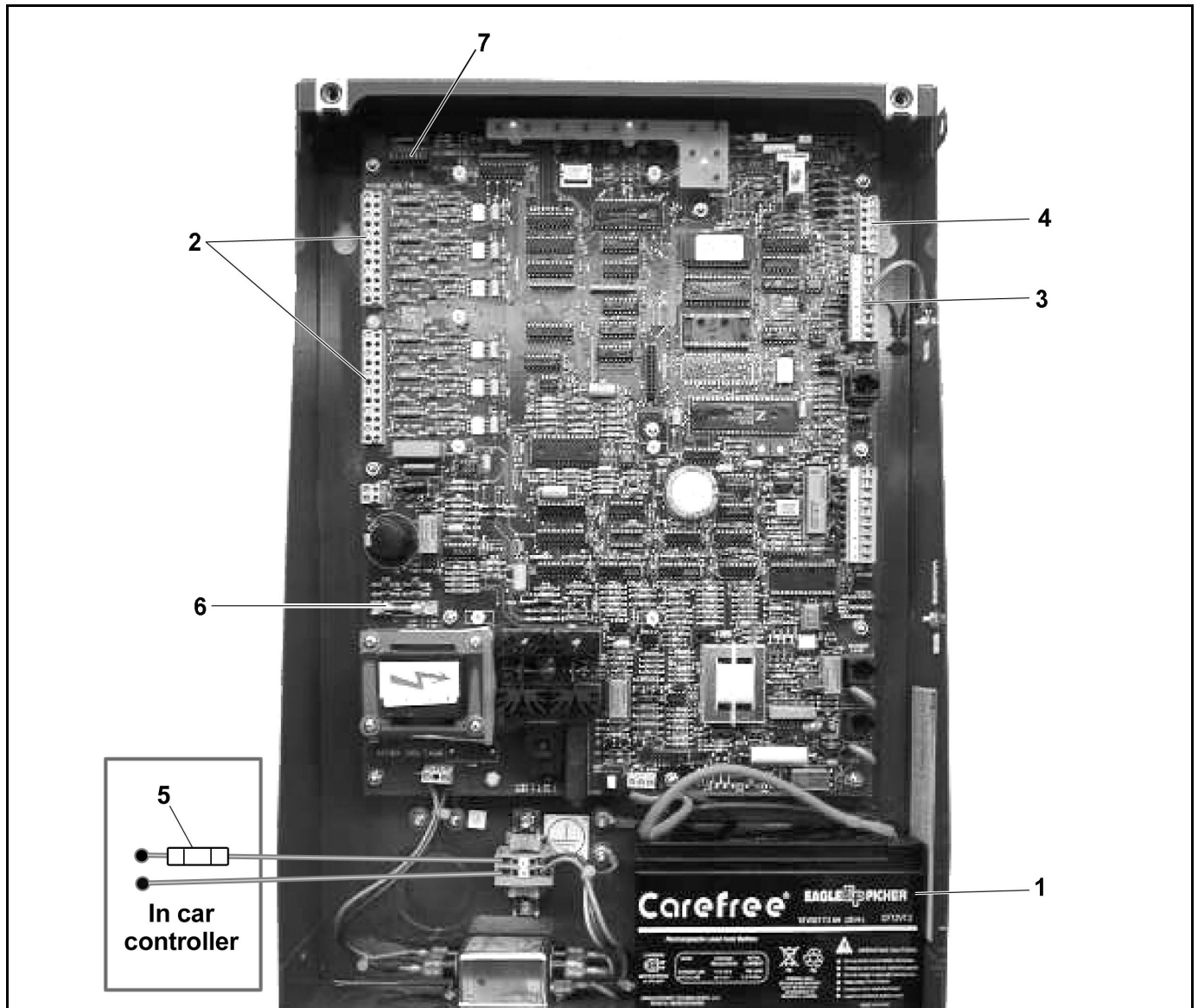
<b>Name</b>	<b>Department</b>
Michael Schiappa	REM Center

**About Spare Parts Leaflets...**

This document lists the lowest replaceable units (LRUs) for the standard version of the product. The LRUs are chosen by a team of Otis associates representing engineering and manufacturing.

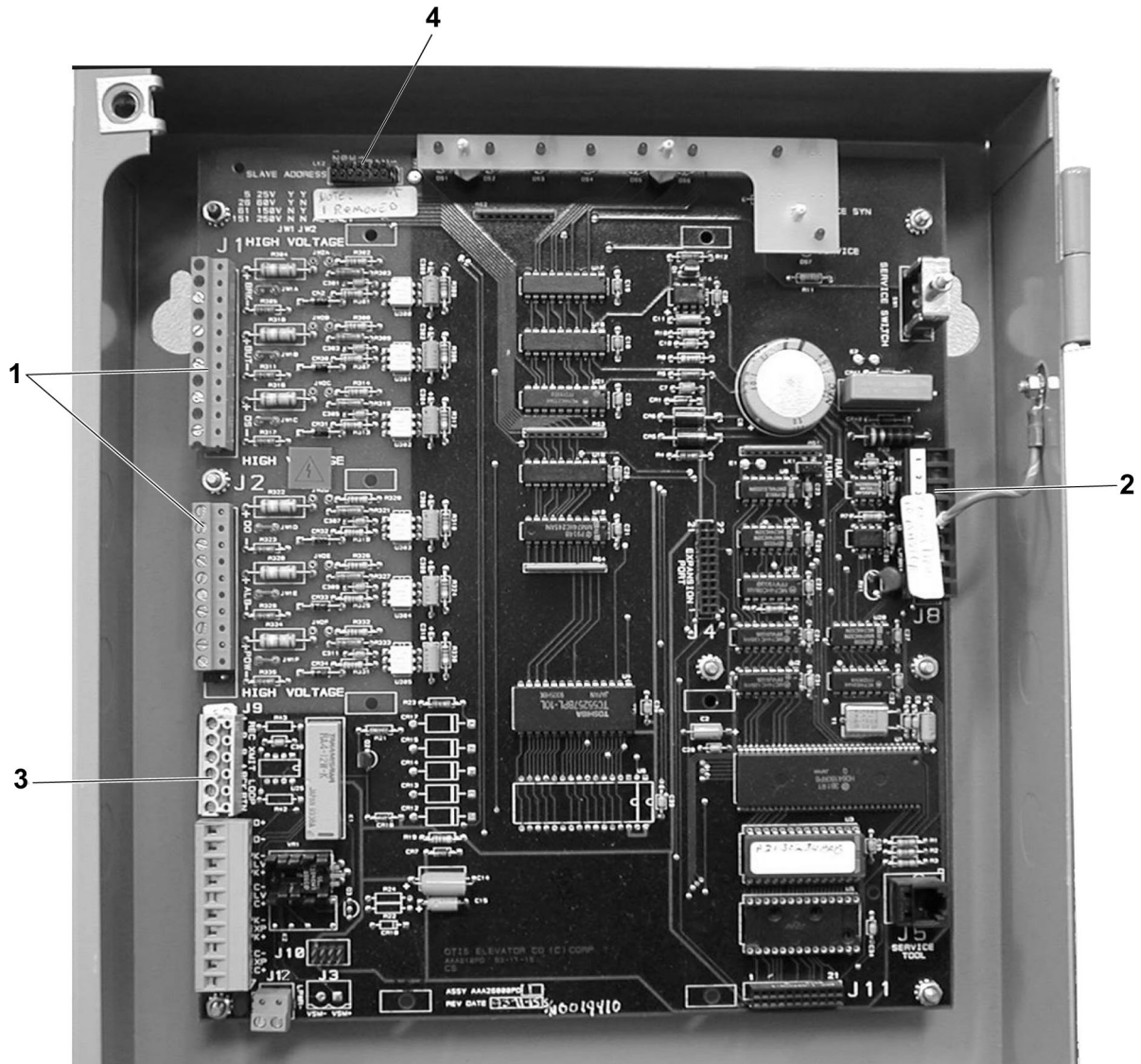
While goal of this document is to make parts identification as easy as possible, the document cannot be all-inclusive. Elevator and escalator contracts classified as “special” or “custom” are not addressed here. For such contracts, please refer to specified information, the contract folder, TIPs, Field Education Articles, Construction Letters, etc. for further information.

If you have any suggestions about this document, please contact the subject matter expert listed on this page.



W/O VINTAGE		
REF. No.	PART No.	DESCRIPTION
1	AAA718E5	Battery, 12V, 7.2 Amp-Hr, Sealed Lead Acid, Rechargeable
2	AAA176FY4	Connector, Locations J1 & J2
3	AAA447X8	Connector , Location J8
4	AAA44AK100	Connector, Location J9
5	AAA375BK13	Fuse, 1 Amp (AC Power into REM Main) (mounted in car controller, labeled "REM")
6	AAA375BY8	Fuse, GDC – 2 Amp, Time Delay
7	AAA646D1	Jumper, LK3, Header (for addressing REM unit)

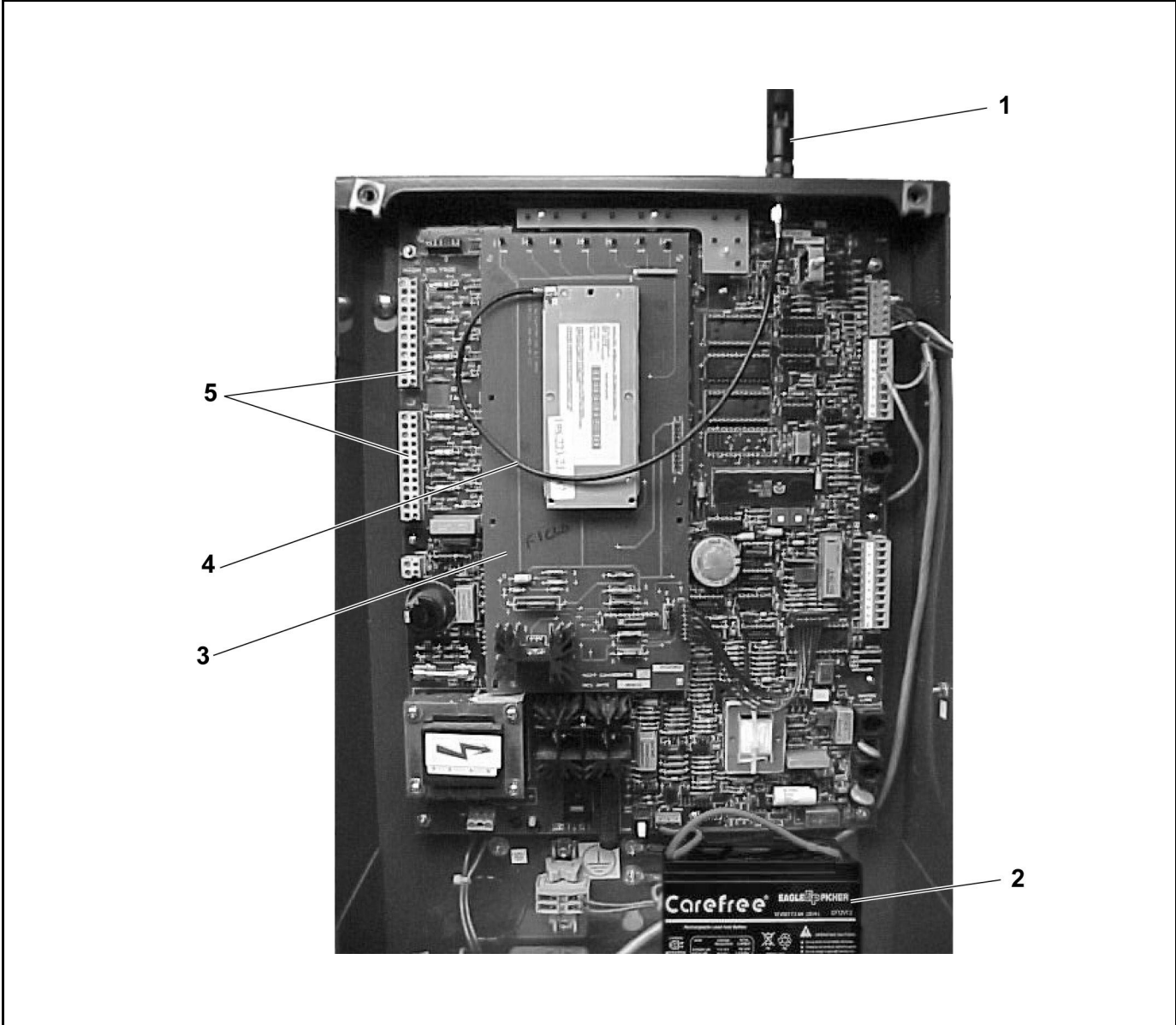




<b>W/O VINTAGE</b>		
<b>REF. No.</b>	<b>PART No.</b>	<b>DESCRIPTION</b>
1	AAA176FY4	Connector, Locations J1 & J2
2	AAA447X8	Connector, Location J8
3	AAA447AK100	Connector, Location J9
4	AAA646D1	Jumper, LK3, Header (for addressing REM unit)

# Main Box Assembly Wireless Modem

**10-AAA21700A**

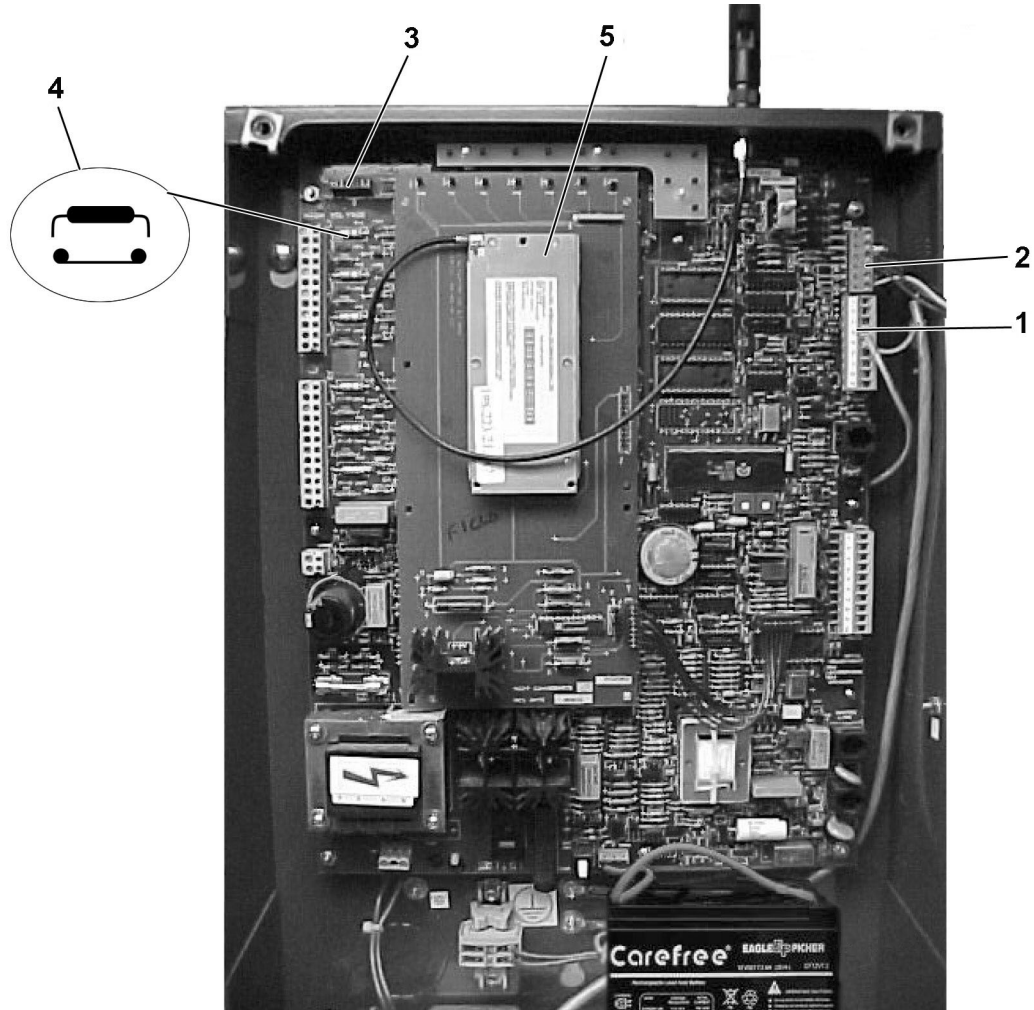


<b>W/O VINTAGE</b>		
<b>REF. No.</b>	<b>PART No.</b>	<b>DESCRIPTION</b>
1	AAA512L1	Antenna
2	AAA718E5	Battery, 12V, 7.2 Amp-Hr, Sealed Lead Acid, Rechargeable
3	AAA26800YG1	Board, CDPD Piggyback Board w/o Modem
4	AAA174YJ1	Cable, Antenna
5	AAA176FY4	Connector, Locations J1 & J2

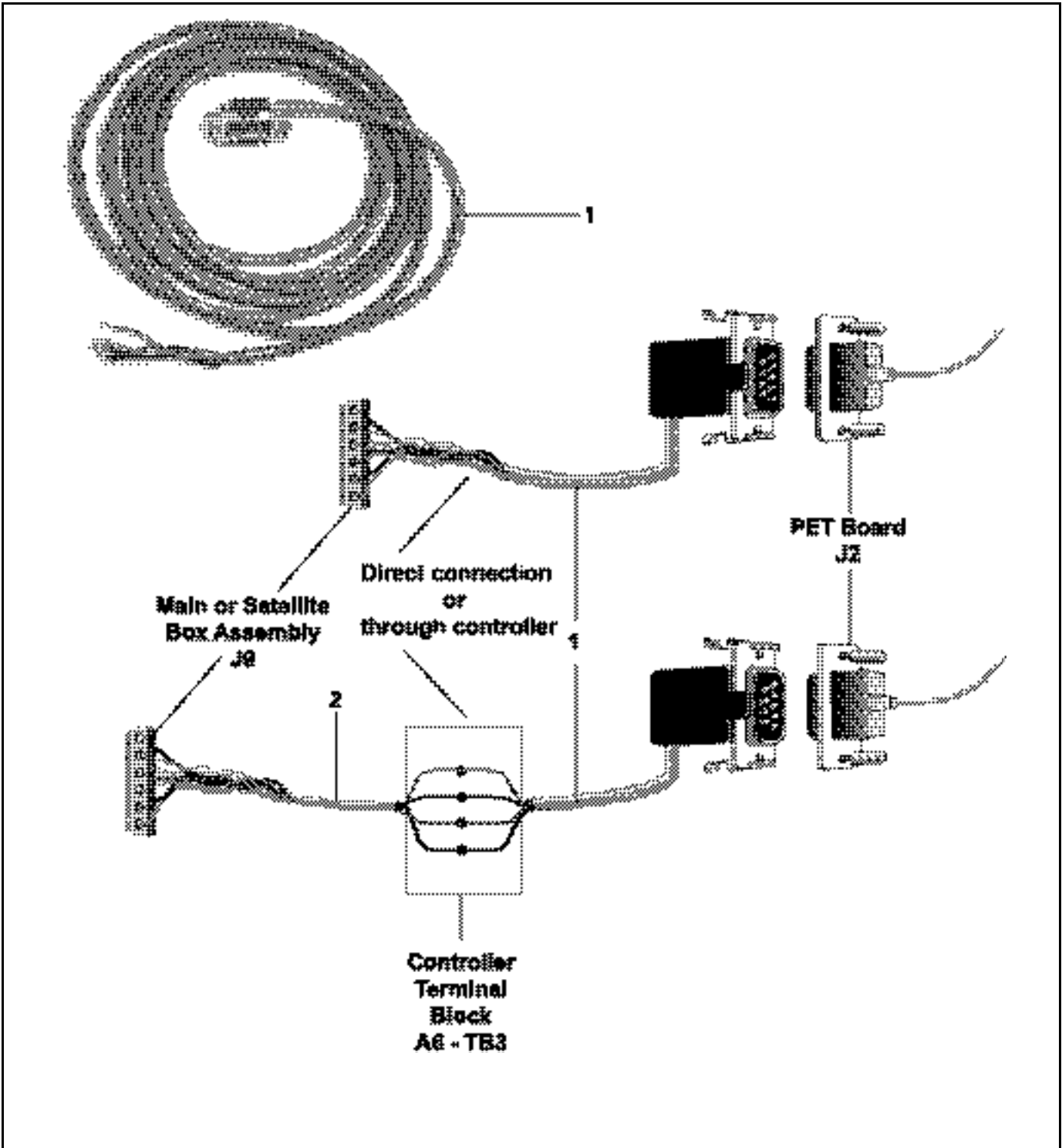
(Continued on next page)

**10-AAA21700A**

## Main Box Assembly Wireless Modem



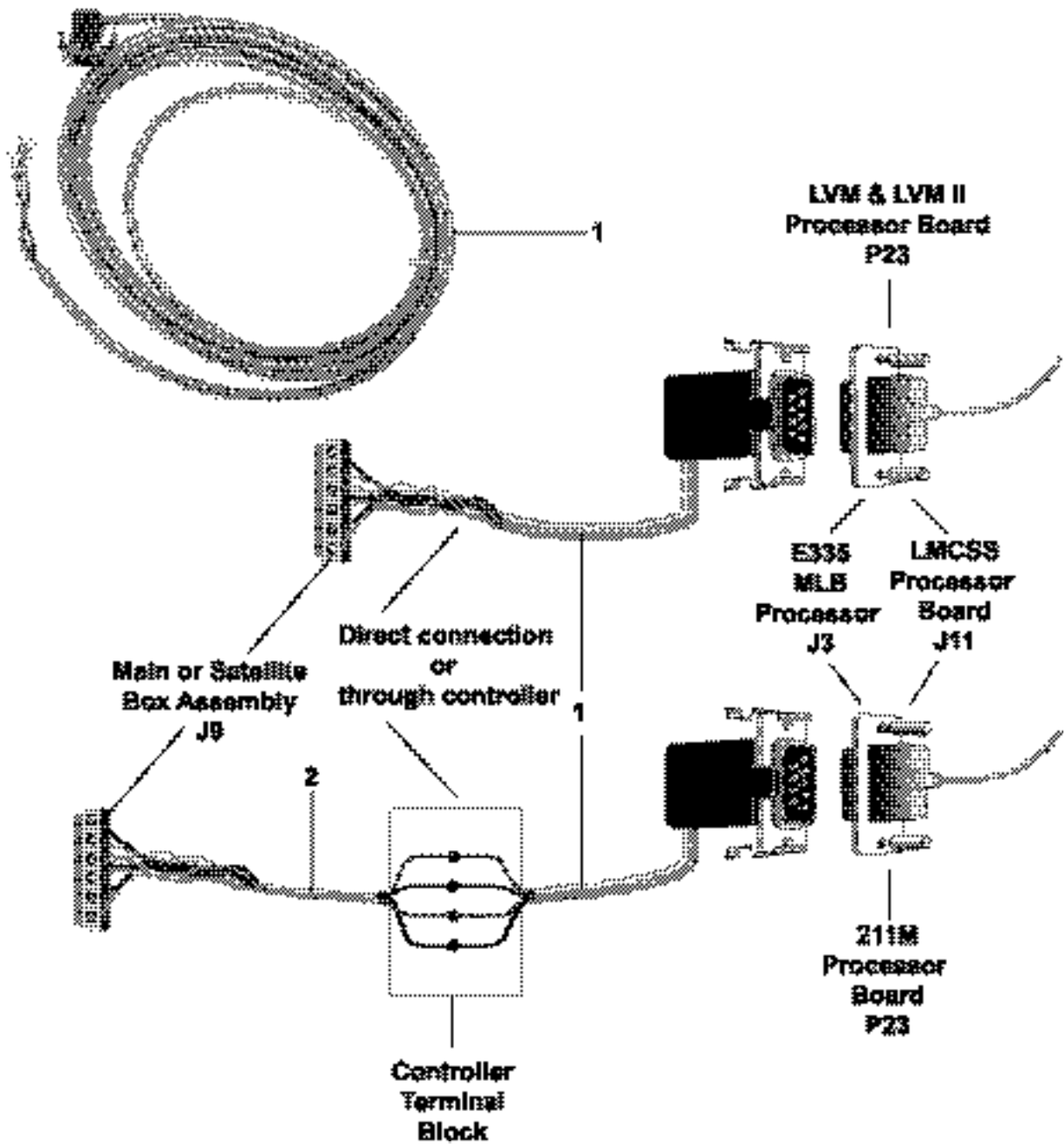
<b>W/O VINTAGE</b>		
<b>REF. No.</b>	<b>PART No.</b>	<b>DESCRIPTION</b>
1	AAA447X8	Connector, Location J8
2	AAA447AK100	Connector, Location J9
3	AAA646D1	Jumper, LK3, Header (for addressing REM unit)
4	204290-3	Jumper, Red Discrete Input Selection, Locations JW1A through JW1F
5	AAA7145CU1	Modem, CDPD, Wireless



W/O VINTAGE		
REF. No.	PART No.	DESCRIPTION
1	174GN2	Cable, Communication (E401/101 Pet Board to REM) Serial Cable
2	BSC0800083-1 FOOT	Wire, Serial Link, Three Twisted Pairs with Shield

**10-AAA21700A**

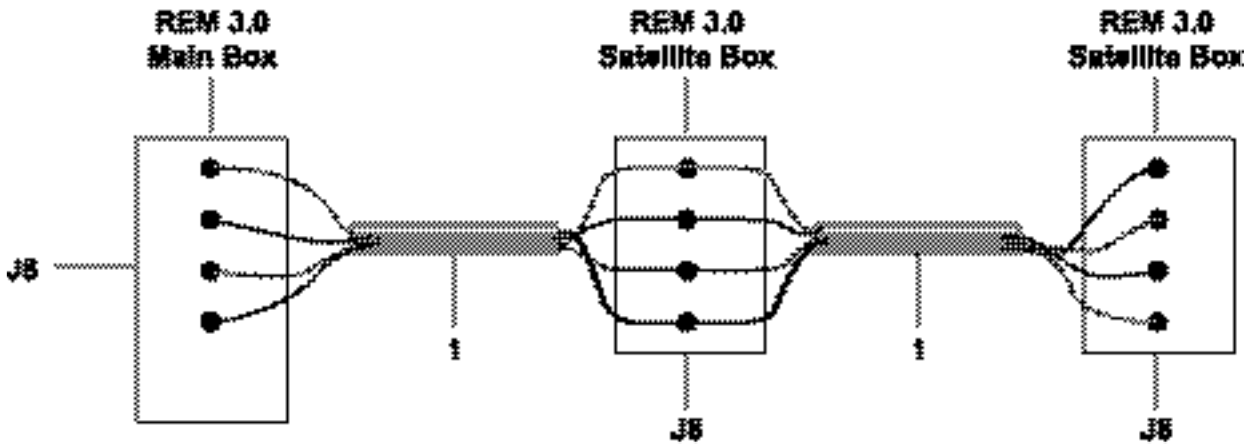
**211M, E335M, LMCSS, LVM and LVM II Communication Cable**



W/O VINTAGE		
REF. No.	PART No.	DESCRIPTION
1	BSAS800573-6R	Cable, Communication (LMCSS, LVM, 335M to REM) Serial Cable
2	BSCO800083-1 FOOT	Wire, Serial Link, Three Twisted Pairs with Shield

# Satellite Links

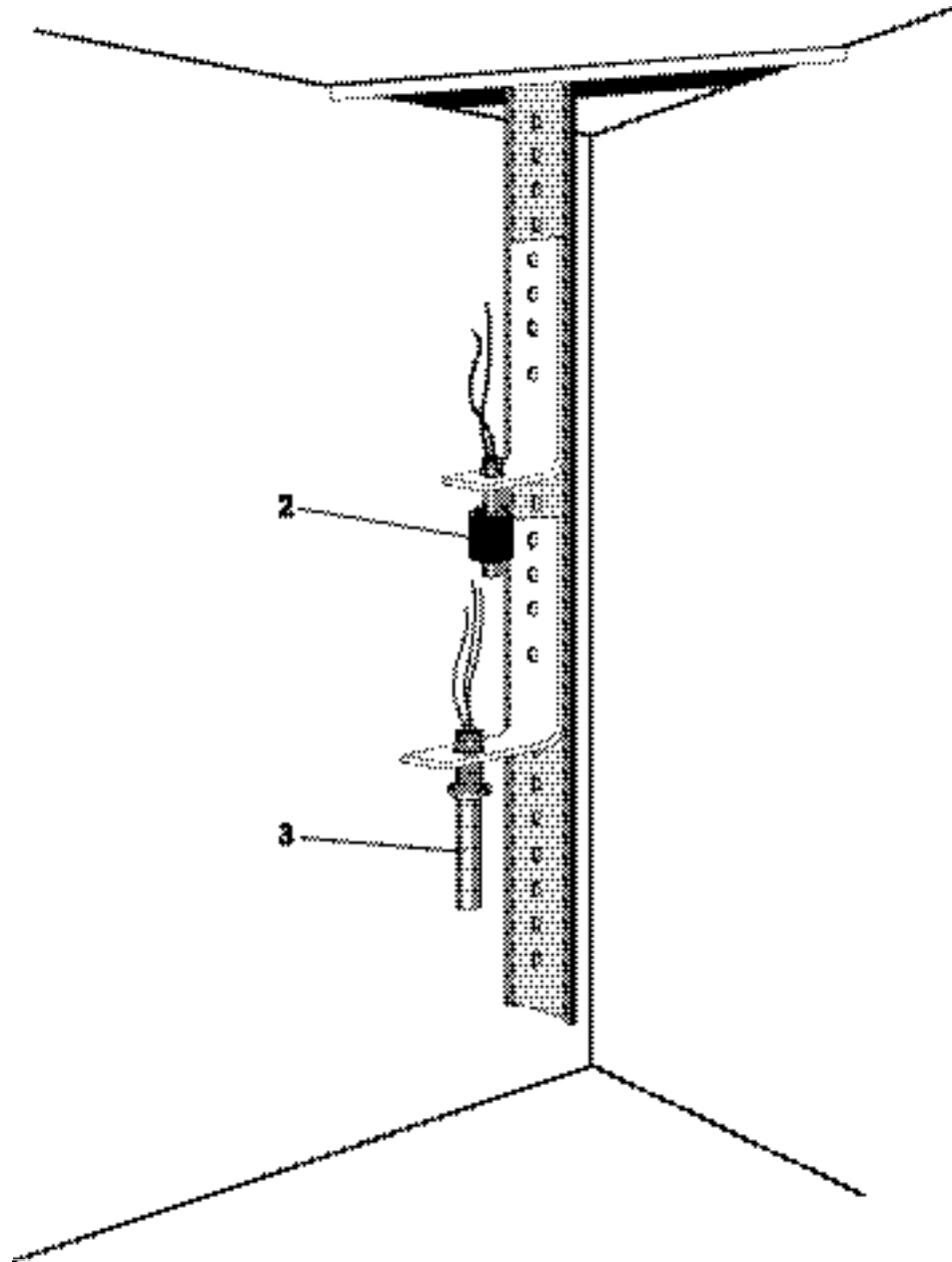
**10-AAA21700A**



W/O VINTAGE		
REF. No.	PART No.	DESCRIPTION
1	BSC0800083-1-FOOT	Wire, Serial Link, REM Main to REM Satellite Serial Cable, Three Twisted Pairs w/ Shield

**10-AAA21700A**

## **Oil Sensors**

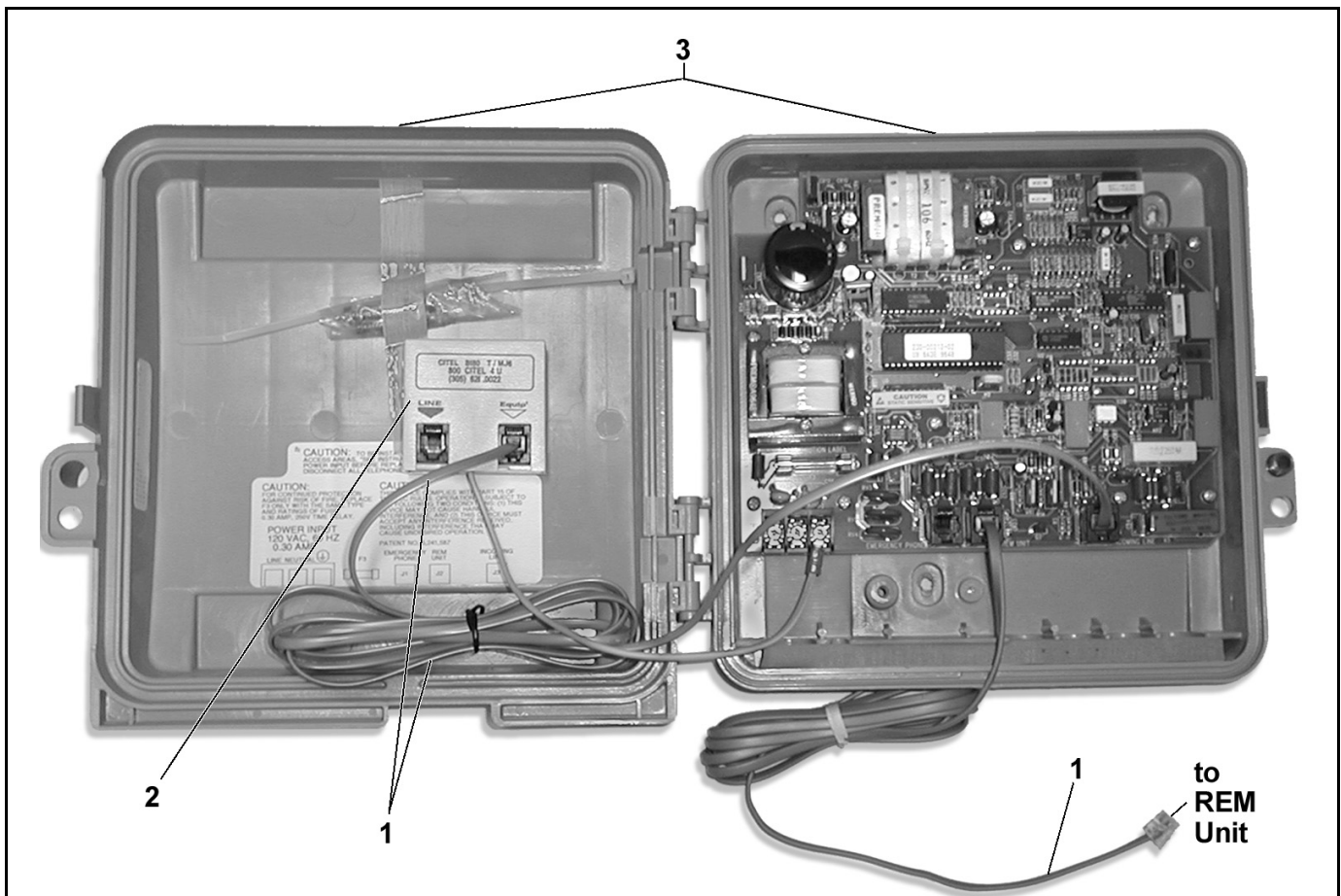


<b>W/O VINTAGE</b>		
<b>REF. No.</b>	<b>PART No.</b>	<b>DESCRIPTION</b>
1*	AAA375BN4	Fuse, 1/4 Amp (discrete input circuits)
2	177BH4	Sensor, Hydraulic Oil Level
3	AAA659E2	Sensor, Hydraulic Oil Temperature Low/High

\* Part not shown.

# Line Share Switch

**10-AAA21700A**



W/O VINTAGE		
REF. No.	PART No.	DESCRIPTION
1	174GF4	Cord, Telephone, 7 ft. (2.1 meters)
2	AAA605AG2	Suppressor, Lightning Surge, Telephone Line
3	AAA7145CP3	Switch, Line Share

**10-AAA21700A**

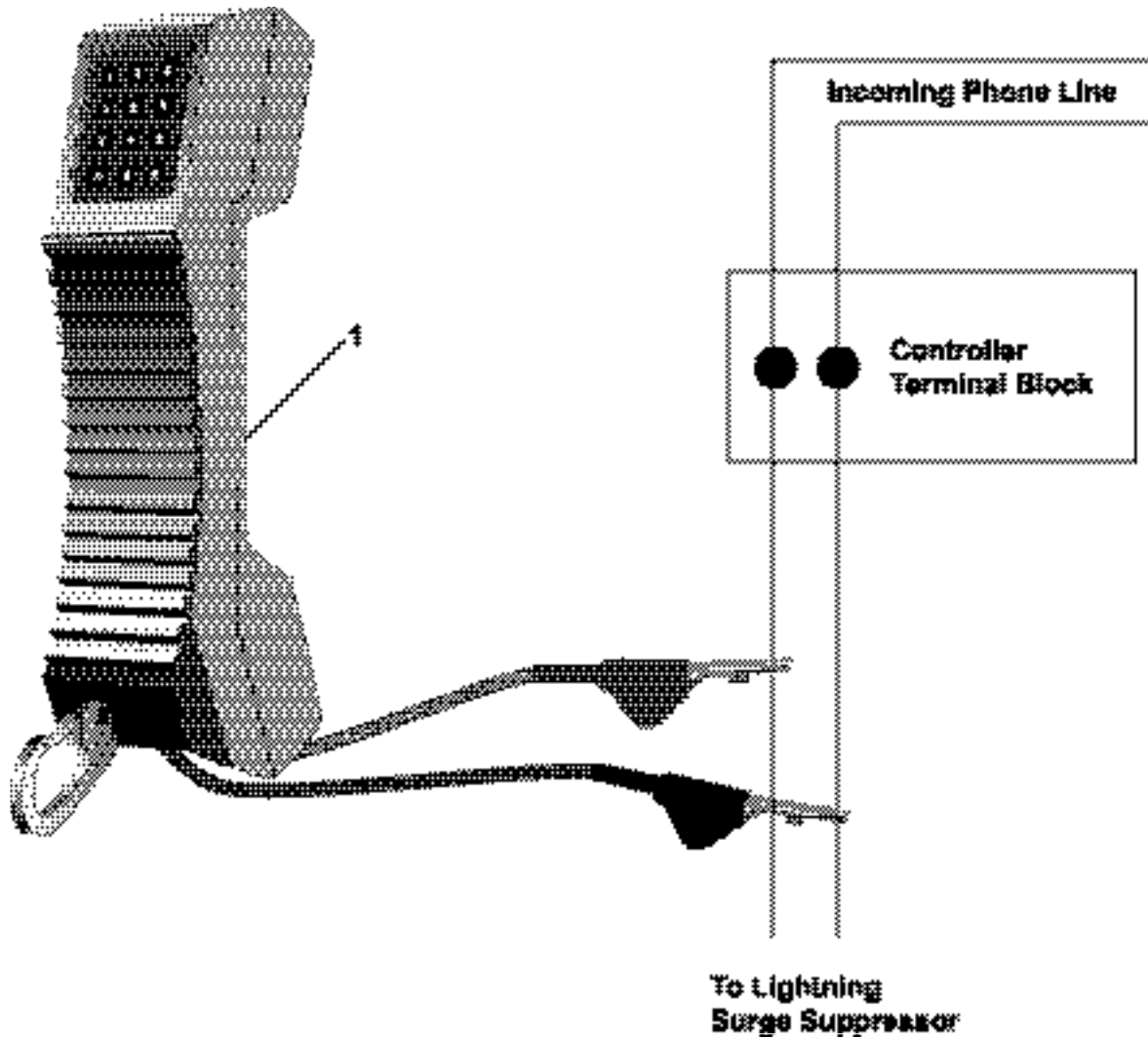
# Test Phone



<b>W/O VINTAGE</b>		
<b>REF. No.</b>	<b>PART No.</b>	<b>DESCRIPTION</b>
1	AAA7145CU2	Test Phone, CDPD wireless (used to determine signal strength)

# Telephone Test Set

10-AAA21700A



W/O VINTAGE

REF. No.	PART No.	DESCRIPTION
1	AAA7145CP2	Test Set, Telephone

<b>W/O VINTAGE</b>			
<b>REF. No.</b>	<b>PART No.</b>	<b>DESCRIPTION</b>	<b>APPLICATION</b>
*	AAA21749B14	Wiring Kit, Main Box (Master)	211M / LVM Phase 2 (MOD)
	AAA21749B20	Wiring Kit, Main Box (Master)	LMCSS
	AAA21749B11	Wiring Kit, Main Box Master)	LRV REM Ready
	AAA21749B10	Wiring Kit, Main Box (Master)	LRV Non-REM Ready
	AAA21749B16	Wiring Kit, Main Box (Master)	LVM
	AAA21749B18	Wiring Kit, Main Box (Master)	LVM Phase 2
	AAA21749B15	Wiring Kit, Satellite Box (Slave)	211M / LVM Phase 2 (MOD)
	AAA21749B21	Wiring Kit, Satellite Box (Slave)	LMCSS
	AAA21749B13	Wiring Kit, Satellite Box (Slave)	LRV REM Ready
	AAA21749B12	Wiring Kit, Satellite Box (Slave)	LRV Non-REM Ready
	AAA21749B17	Wiring Kit, Satellite Box (Slave)	LVM
	AAA21749B19	Wiring Kit, Satellite Box (Slave)	LVM Phase 2
* Parts not shown.			