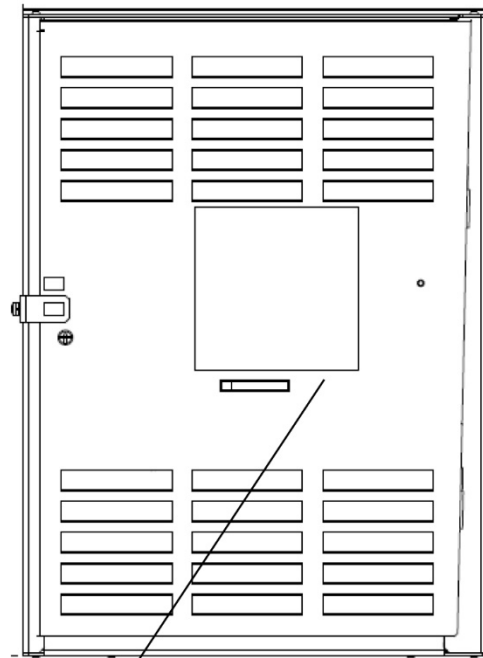
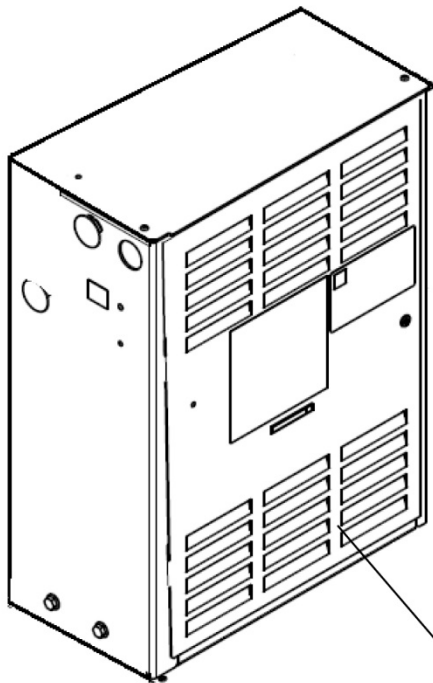


**Gen3 Core Brake
Module (NSAA)**

**Spare Parts Leaflet
10-AAA21305HD**

October 2, 2024 / Page 1 of 4



10-AAA21305HD

OTIS

This document does not contain any
technical data subject to EAR or ITAR

**SERVICE ENGINEERING
Otis Elevator Company
Bloomfield, Connecticut USA**

Unpublished Work—© Otis Elevator Co.; 2024

History

10-AAA21305HD

Leaflet Description

This leaflet lists the lowest replaceable units for type AAA21305HD controller. This controller is a Gen3 variable frequency controller, used in NSAA for Gen3 Core units running at 150 or 200 fpm.

Leaflet Revisions

Date Revised	Subject Matter Expert	Reason for Revision
October 2, 2024	Cuauhtemoc Castro Inzunza / Bennie Murah	New SPL

Related Drawings

Drawing No.	Title	Drawing No.	Title
AAA21305HD	NSAA Gen3 Core MR Brake Module	AAA21305HD_BOM	Gen3 Core MR Brake Box Assembly BOM (includes harnesses)
AAA21305BM	Gearless Variable Frequency Gen3 Core MR Controller	AAA21310BM_BOM	Gearless Variable Frequency, Machine Room, Gen3 Core

Related Documents

Document ID	Title

Subject Matter Expert

Name	Department
Bennie Murah	Florence SEE

About Spare Parts Leaflets...

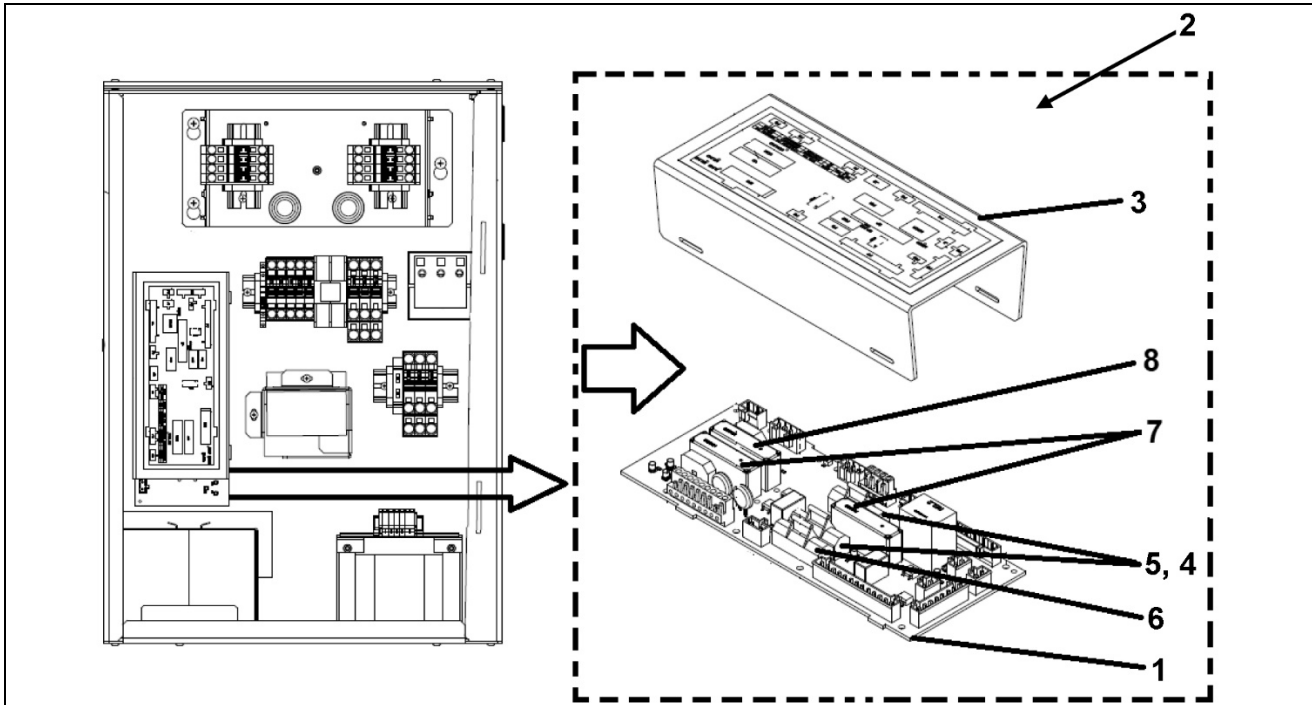
This document lists the lowest replaceable units (LRUs) for the standard version of the product. The LRUs are chosen by a team of Otis associates representing engineering and manufacturing.

While goal of this document is to make parts identification as easy as possible, the document cannot be all-inclusive. Elevator and escalator contracts classified as “special” or “custom” are not addressed here. For such contracts, please refer to specified information, the contract folder, TIPs, Field Education Articles, Construction Letters, etc. for further information.

If you have suggestions about this document, please contact the subject matter expert listed on this page.

Brake Board, Relays, Fuses

10-AAA21305HD



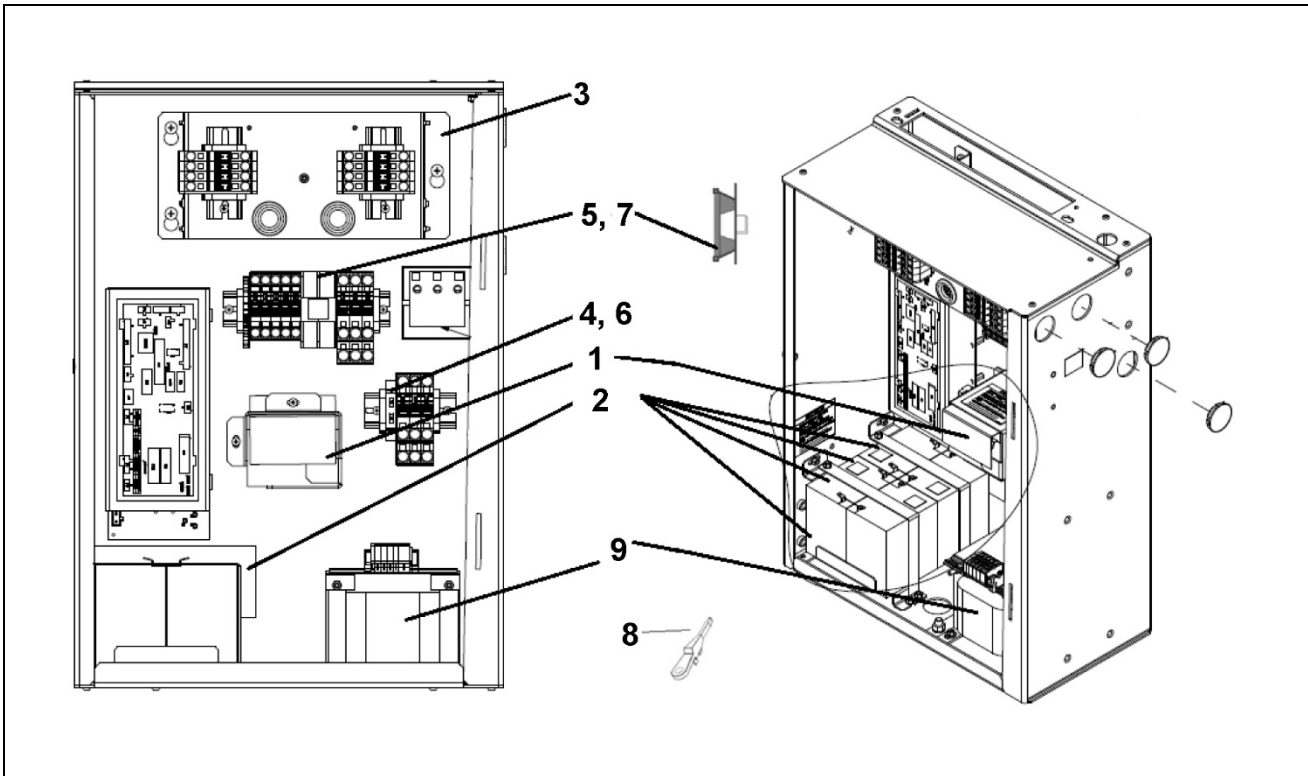
REF.	WBA26800H1		
No.	PART No.	DESCRIPTION	SYMBOL
1	WBA26800H1	Board, PCBA, Brake, Gen3 Core	
2	AAA21305GY1	Brake Board Assembly (see NOTE)	
*	AAA447AP66	Connector, Mating, Female, 2-Pole, 5 mm, for J1, P8, P10	
*	AAA176HH69	Connector, Mating, Female, 2-Pole, 7.5 mm, for P5, P6, P9	
*	AAA447AP67	Connector, Mating, Female, 3-Pole, 5 mm, for P1	
*	AAA447AP68	Connector, Mating, Female, 4-Pole, 5 mm, for P3	
*	AAA447AP72	Connector, Mating, Female, 8-Pole, 5 mm, for P2	
*	AAA447AP94	Connector, Mating, Female, 8-Pole, 5 mm, for P4	
*	AAA447AP77	Connector, Mating, Female, 13-Pole, 5 mm, for P7	
*	AAA176HH51	Connector, Mating, Male, 4-Pole, 5 mm, for J2	
*	AAA176HH306	Connector, Mating, Male, 9-Pole, 5 mm, for BR1	
3	AAA285AFG2	Cover, Formed DIN Rail, Gen3 Controller	
4	AAA653L101	Fuse Cover, XF3, XFB1, XFB2	---
5	AAA375BR12	Fuse, 3 A, 250 VAC, Ceramic, Ferrule, 0.25 X 1.25 in.	FB1, FB2
6	AAA375BT19	Fuse, 5 A, 250 VAC, Glass, Ferrule, 0.25 X 1.25 in.	F3
*	AAA431AQ18	Lock	---
7	AAA613DG71	Relay, Safety, 110 VDC Coil, 6A, 4 N.O., 2 N.C., REL3, REL4 (see NOTE)	BP, UD
8	AAA613DG76	Relay, Safety, 110 VDC Coil, 6A, 5 N.O., 1 N.C., REL1 (see NOTE)	UCM
*	AAA255LP3	Shim	---

* Part Not Shown

NOTE: Mating connectors for AAA21305GY1 are marked *.

Battery, Transformer, Fuses

10-AAA21305HD



REF.	AAA21305HD		
No.	PART No.	DESCRIPTION	SYMBOL
*	AAA276AR4	Barrier, Arc, Backup	
*	AAA276AR1	Barrier, Arc, BAT2	
1	AAA718E3	Battery, Backup	BAT1
2	AAA718E3	Battery, MRO, 12 V, 4 AH BAT2A – BAT2D	BAT2
3	AAA21305BM1	Filter Protection Assembly, FMV	FMV
4	AAA375BR9	Fuse, 2A, 250 VAC	F3
5	AAA375BK39	Fuse, Timed, 10 A, 600 V, for AAA225NZ4 208 VAC Transformer	FM
	AAA375BK31	Fuse, Timed, 5 A, 600 V, for AAA225NZ3 480 VAC Transformer	FM
6	AAA653E2	Holder, Fuse, DIN Rail Mount	F3
*	444BL13	Plug	
7	AAA653D8	Puller, Safety	FM
*	AAA303EP77	Tool, Terminal Block Operating (taped to door)	---
8	AAA27BZ2	Tool, Terminal Block, 50 mm L, Black, for 2.5 & 3.5 mm (taped to door)	---
	AAA27BZ1	Tool, Terminal Block, 50 mm L, White, for 5 mm (taped to door)	---
9	AAA225NZ4	Transformer, 208 VAC Input w/ AAA375BK39 (FM)	
	AAA225NZ3	Transformer, 480 VAC Input w/ AAA375BK31 (FM)	TRM

* Part Not Shown