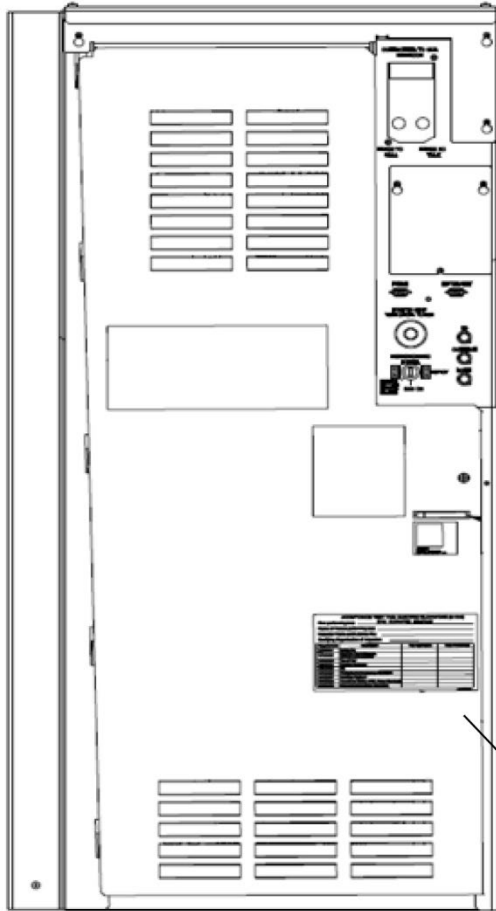


# NSAA Gen3 Core MR Controller

## Spare Parts Leaflet 10-AAA21305HC

October 2, 2024 / Page 1 of 11



**10-AAA21305HC**

# OTIS

This document does not contain any  
technical data subject to EAR or ITAR

**SERVICE ENGINEERING**  
**Otis Elevator Company**  
**Bloomfield, Connecticut USA**

Unpublished Work—© Otis Elevator Co.; 2024

# History

**10-AAA21305HC**

## Leaflet Description

This leaflet lists the lowest replaceable units for type AAA21305HC controller. This controller is a Gen3 variable frequency controller, used in NSAA for Gen3 Core units running at 150 or 200 fpm.

## Leaflet Revisions

Date Revised	Subject Matter Expert	Reason for Revision
October 2, 2024	Cuauhtemoc Castro Inzunza / Bennie Murah	New SPL

## Related Drawings

Drawing No.	Title	Drawing No.	Title
AAA21305HC	Gen3 Core MR Controller Assembly	AAA21305HC_BOM	Gen3 Core MR Controller Assembly BOM (includes harnesses)
AAA21305BM	Gearless Variable Frequency Gen3 Core MR Controller	AAA21305GX	Inspection and Test Assembly

## Related Documents

Document ID	Title

## Subject Matter Expert

Name	Department
Bennie Murah	Electrical Engineering, New Product

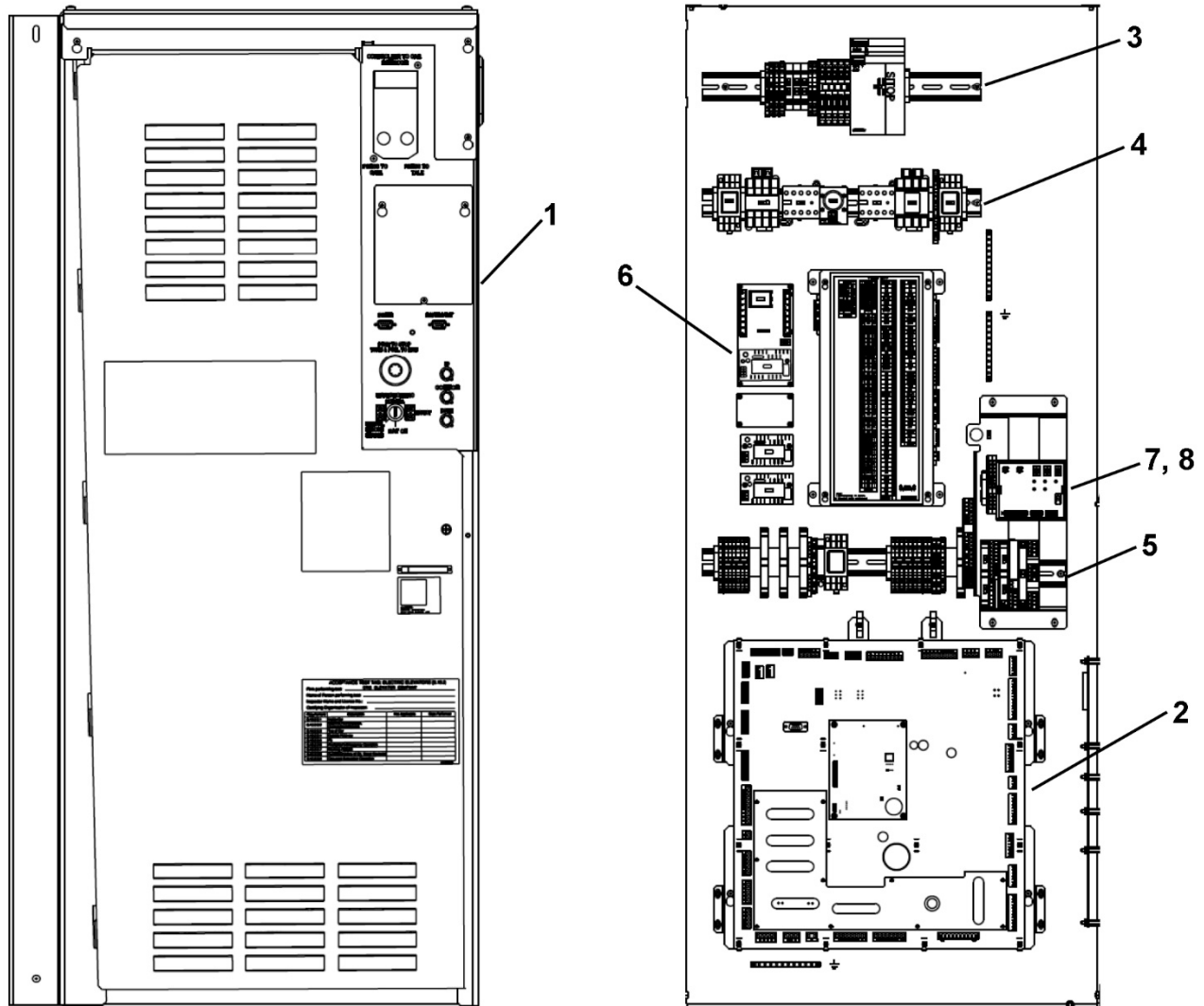
## About Spare Parts Leaflets...

This document lists the lowest replaceable units (LRUs) for the standard version of the product. The LRUs are chosen by a team of Otis associates representing engineering and manufacturing.

While goal of this document is to make parts identification as easy as possible, the document cannot be all-inclusive. Elevator and escalator contracts classified as “special” or “custom” are not addressed here. For such contracts, please refer to specified information, the contract folder, TIPs, Field Education Articles, Construction Letters, etc. for further information.

If you have suggestions about this document, please contact the subject matter expert listed on this page.

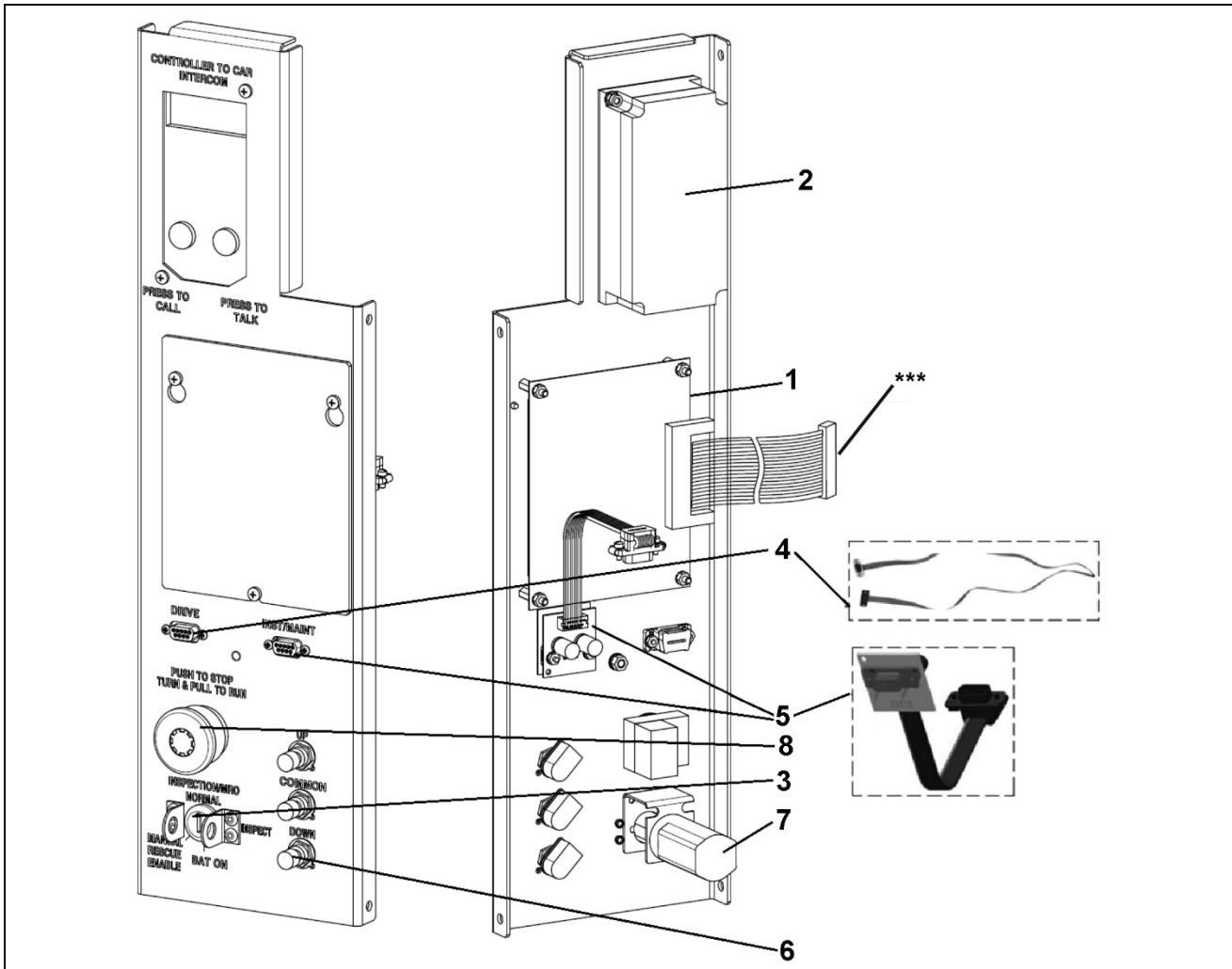
## Inspection and Test assembly AAA21305GX3



REF. No.	PAGE No.	DESCRIPTION
1	4	I & T Panel
2	5	IOBD and SPB
3	6	Fuses, Power Supply
4	7	Relays
5	8	SOM Relay and Socket
6	9	EQIB, ZB, EQR and RS Modules
7	10	I & T Terminal Block
8	11	I & T Connectors

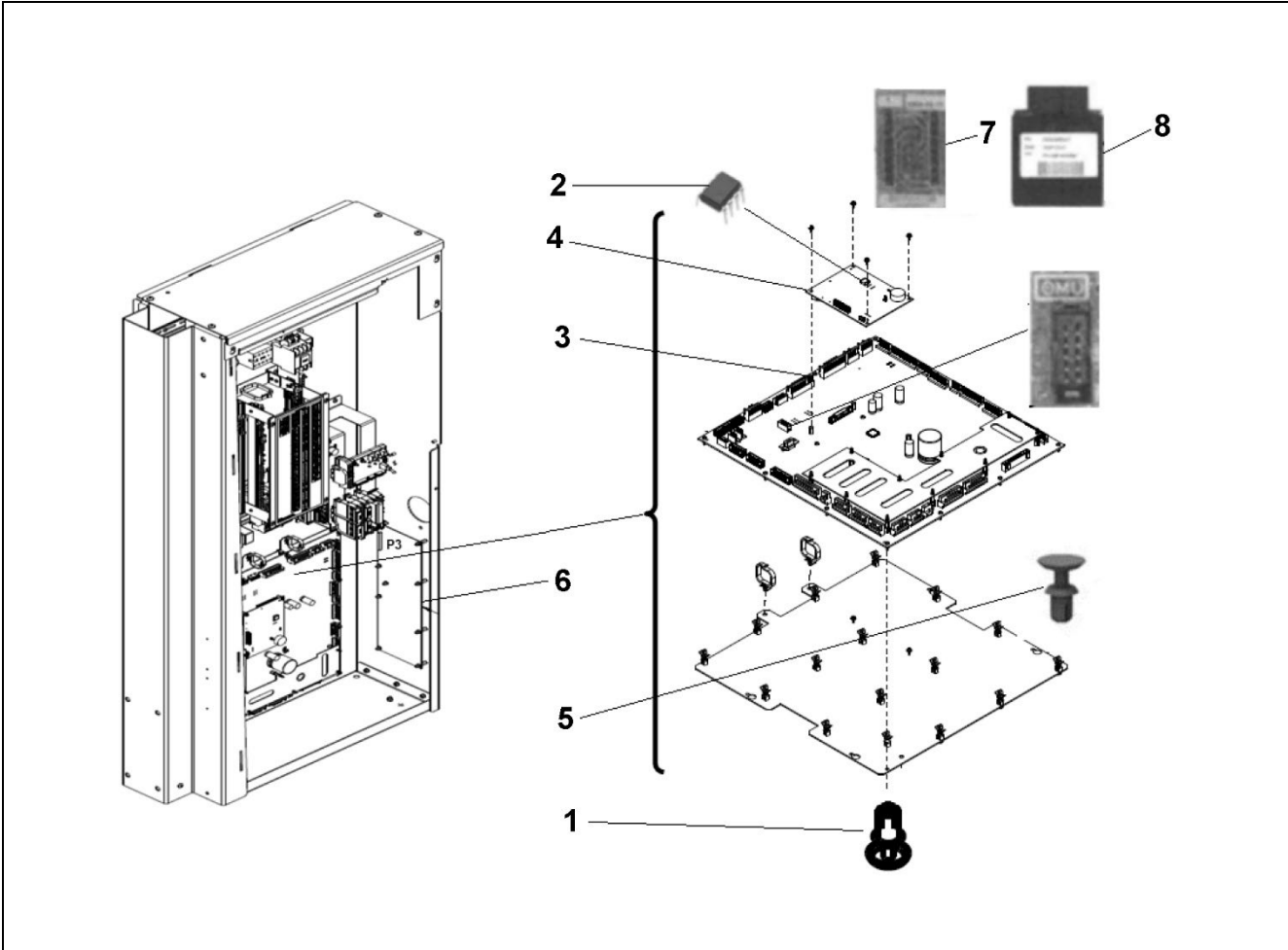
# I & T Panel

**10-AAA21305HC**



REF. No.	AAA21305GX3		SYMBOL
	PART No.	DESCRIPTION	
1	GAA26800LW1	Display, Service Panel Board	---
2	AAA512A2	Intercom	
3	AAA431AF27	Lock, with Key	CIS/MROR
4*	174HT10	Ribbon Cable Assembly	DRIVE
5	AAA26800ASG2	Ribbon Cable Assembly	INST/MAINT
**	AAA174TP13	Ribbon Cable, 34 Contacts; for GBA26800LV1 Board	P3
6	AAA635L3	Switch, Pushbutton	CUIB, CDIB, CCIB
7	ABA636A21	Switch, Rotary	CIS/MROR
8	JAA635ABT101	Switch, Stop	CES
***	GAA512K1	2G MyWerks	---

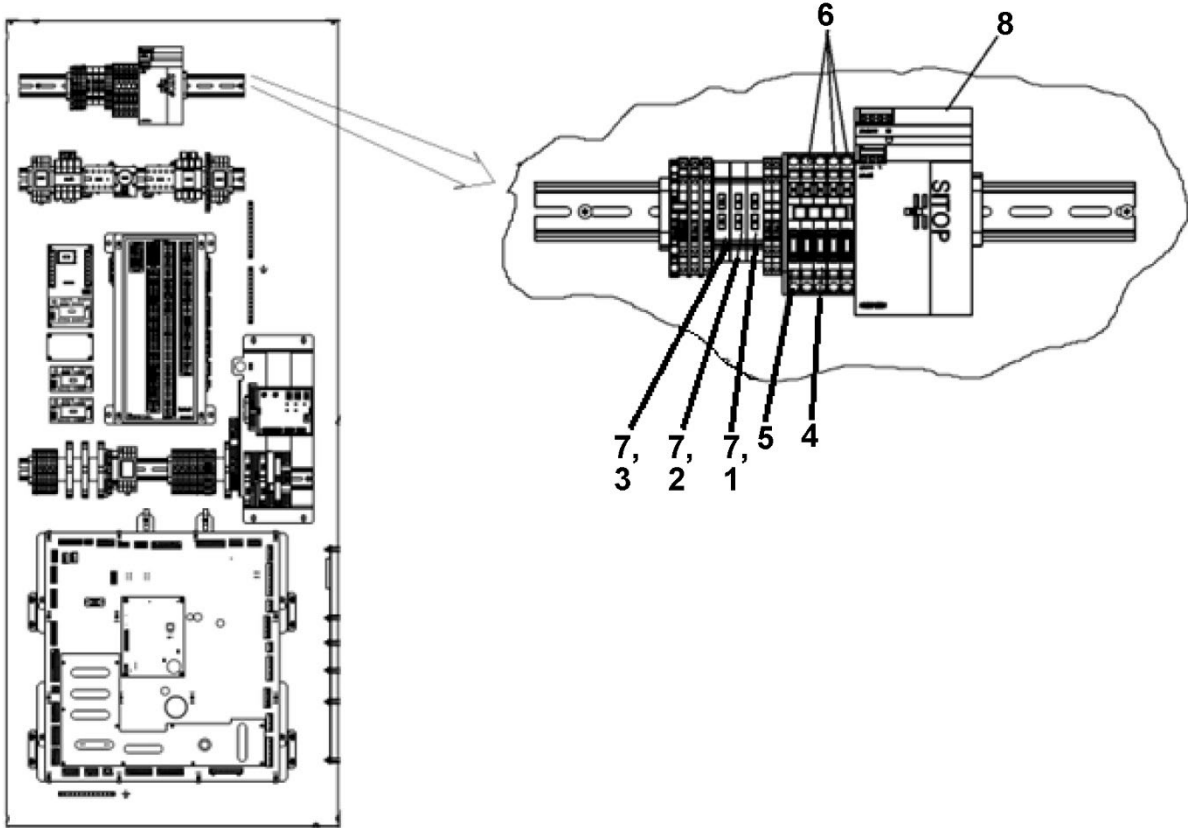
\* For location only; part not shown in illustration  
 \*\* For plugging location only.  
 \*\*\* Plugs into service tool port located outside the controller.



AAA21305HC			
REF. No.	PART No.	DESCRIPTION	SYMBOL
*	174HT10	Cable, Ribbon (Maintenance)	---
1	AAA354DT14	Distance Piece (qty. = 16); for Mounting I/O Board	---
2	AAA616NL26	EEPROM, Blank, U8 and U9, 1M-Bit, Serial	---
*	AAA21602AG1	Encoder, from Drive to IOBD Harness Cable	---
*	AAA21600CY3	Encoder, Rescue, to SPB P4 Harness Cable	---
3	AHA26800ANY3	PC Board, I/O	I/O Board
4	ABA26800AVP11	PC Board, Microprocessor (v2) (see CAUTION)	uP Board
5	AAA141AN3	Rivet, Snap (qty. = 16); for Mounting I/O Board	---
6	GBA26800LV1	Service Panel Assembly	SPB
7	DAA26800K1	Socket, Adapter, for OMU Programming Tool	---
8	___37028___	Software, Contact OSC Customer Service for the latest version of software burned into DCA26800H21 (blue OMU)	---

\* Part not shown.

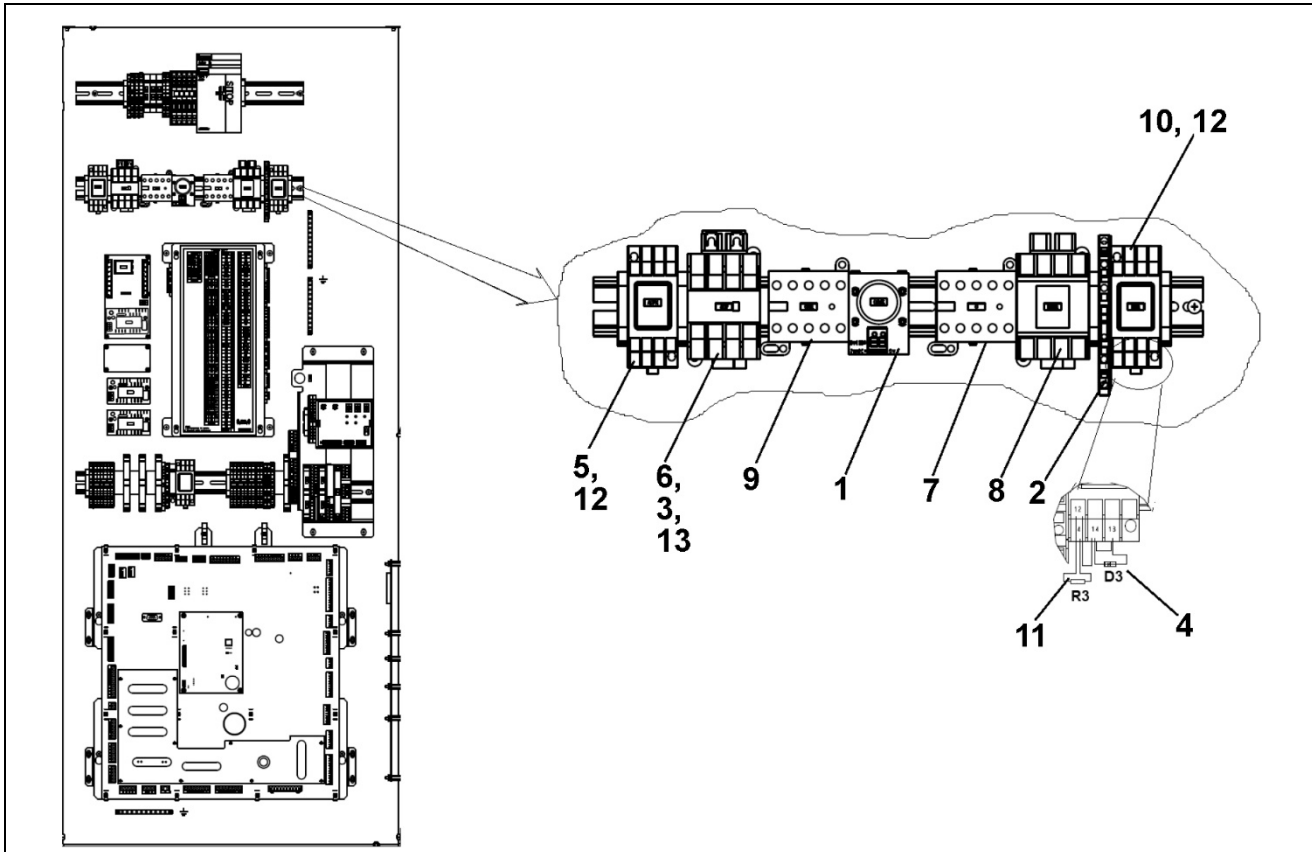
**CAUTION:** Remove the EEPROM U8 and U9 from AVP.



AAA21303GD			
REF. No.	PART No.	DESCRIPTION	SYMBOL
1	AAA375BR9	Fuse, 2 A	F2
2	AAA375BT18	Fuse, Fast Acting, 3 A	F1
3	AAA375CJ5	Fuse, FCL, 15 A	FCL
4	AAA375C7	Fuse, Type ATC, 3 A	F7
5	AAA375C8	Fuse, Type ATC, 4 A	F5
6	AAA375C9	Fuse, Type ATC, 5 A	F6, F8, F9
7	AAA653E2	Holder, Fuse, DIN Rail	F1, F2, FCL
8	AAA621AT14	Power Supply, AC/DC 24 V, 240 W	PSS

# Relays

**10-AAA21305HC**

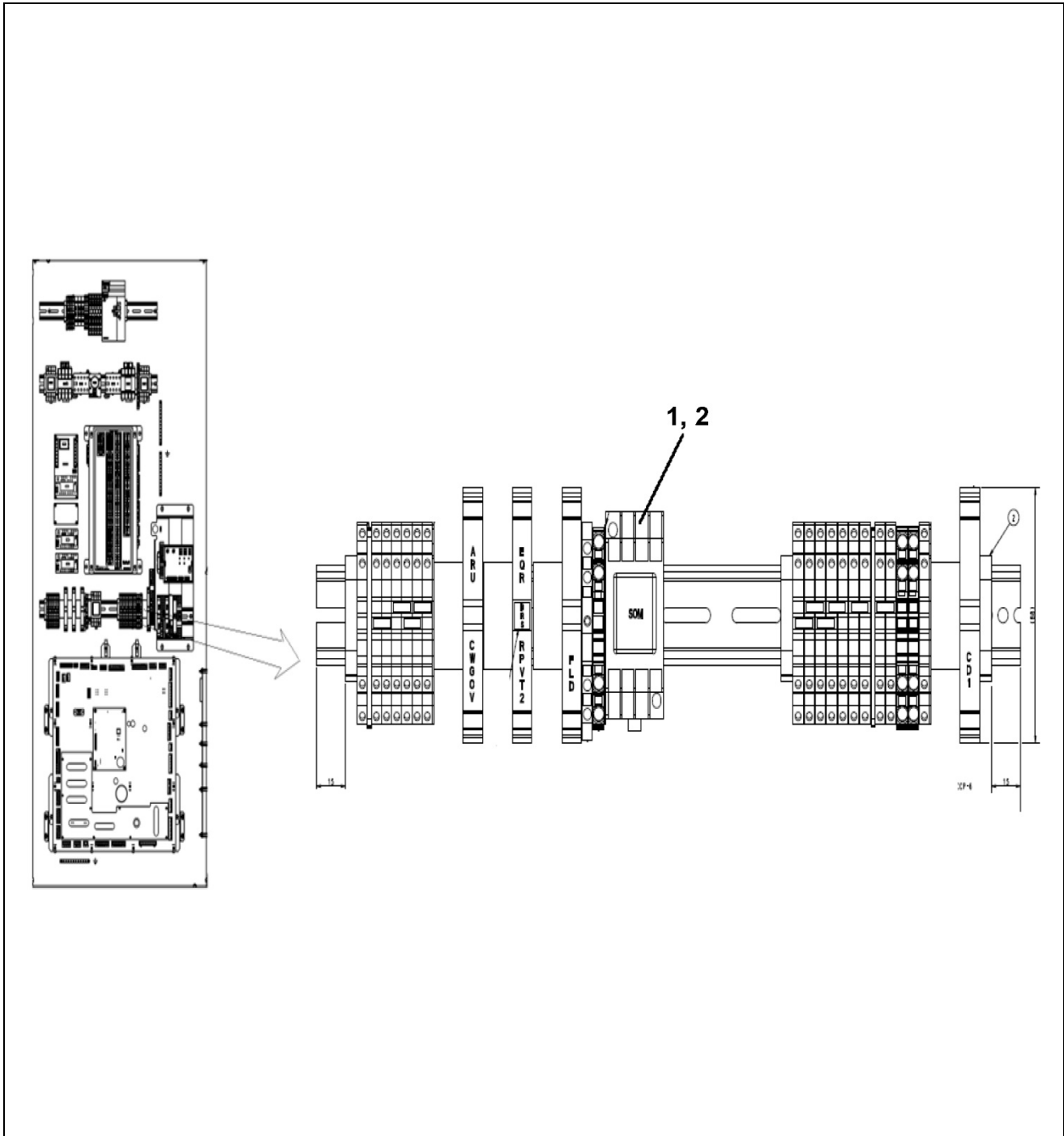


AAA21303GE			
REF. No.	PART No.	DESCRIPTION	SYMBOL
1	AAA731C11	Alarm, Electrical	CBUZ
2	AAA303EP199	Block, Terminal, with Relay	X
3	AAA613DL72	Contact, Auxiliary (2NO, 2NC)	ACP
4	AAA612AF3	Diode, 400 V	D3/PFR
*	AAA378D1	Ferrule, for R3 & D3 Leads	---
5	AAA613CZ9	Relay, 110 VAC	ACPX
6	AAA613DL31	Relay, Coil, 120 VAC (2 NO, 2 NC)	ACP
7	AAA638AN2	Relay, Coil, 120 VAC (2 NO, 2 NC)	C
8	AAA613DL119	Relay, Coil, 48 VDC (3 NO, 1 NC)	BATR
9	AAA638AN1	Relay, Contactor	OSR
10	AAA613CZ8	Relay, Socket Mount, 24 VDC	PFR
11	AAA232FV73	Resistor, 1K OHM 1/4 W 5%	R3/PFR
12	AAA618AF25 OR 618AE2	Socket, Relay	---
13	AAA613DL61	Suppressor	ACP

\* Part not shown

# SOM Relay and Socket

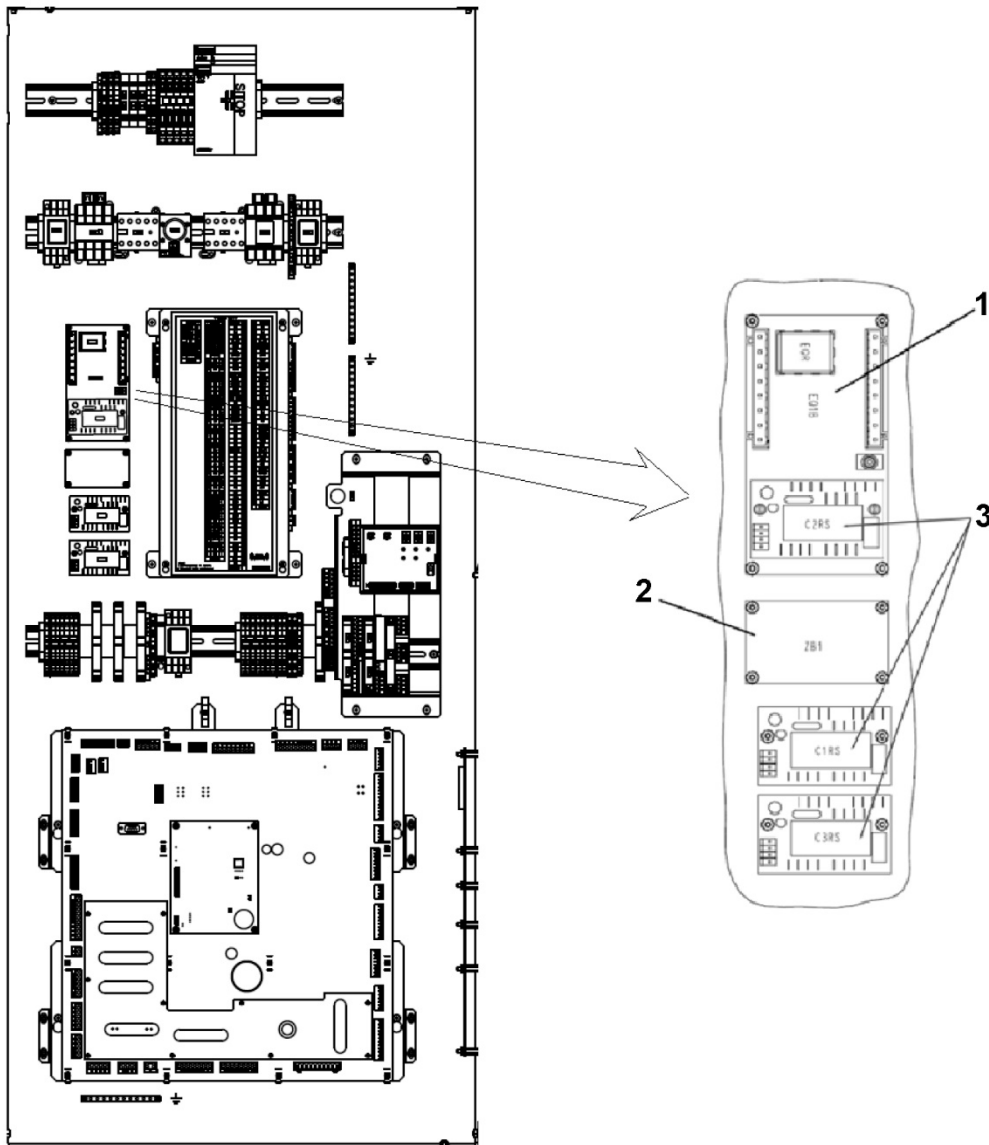
**10-AAA21305HC**



AAA21303GF			
REF. No.	PART No.	DESCRIPTION	SYMBOL
*	AAA176HH353	Connector, Male	EQP
1	AAA613CZ8	Relay, Socket Mount, 24 VDC	SOM
2	AAA618AF25 OR 618AE2	Socket, Relay	SOM

\* Part not shown



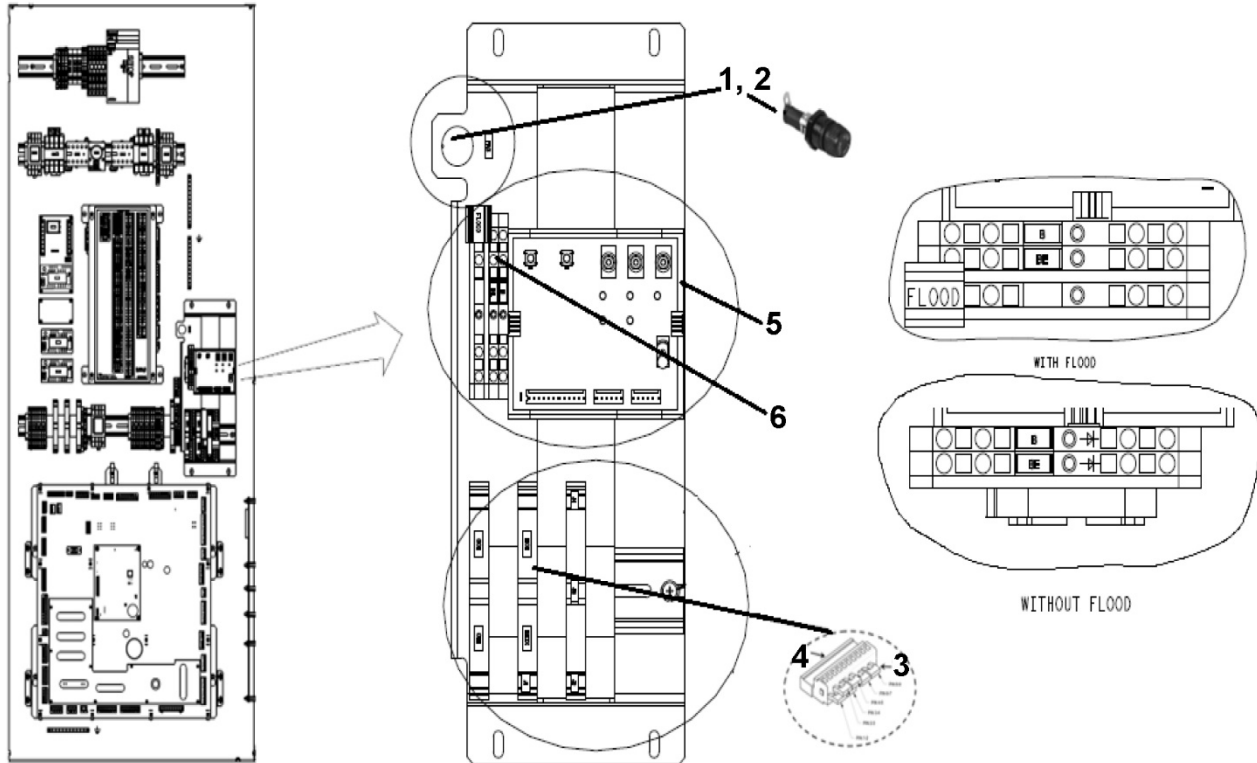


**AAA21303HC**

REF. No.	PART No.	DESCRIPTION	SYMBOL
1	ABB21380E4	Earthquake Module	EQIB
2	AAA26800KP1	Filter Module Assembly	ZB1 (REFK, EQP Options)
3	GFA23550D1	Remote Station PC Board Assembly	C2RS, C1RS, C3RS (FLD Option)

# I & T Terminal Block

**10-AAA21305HC**

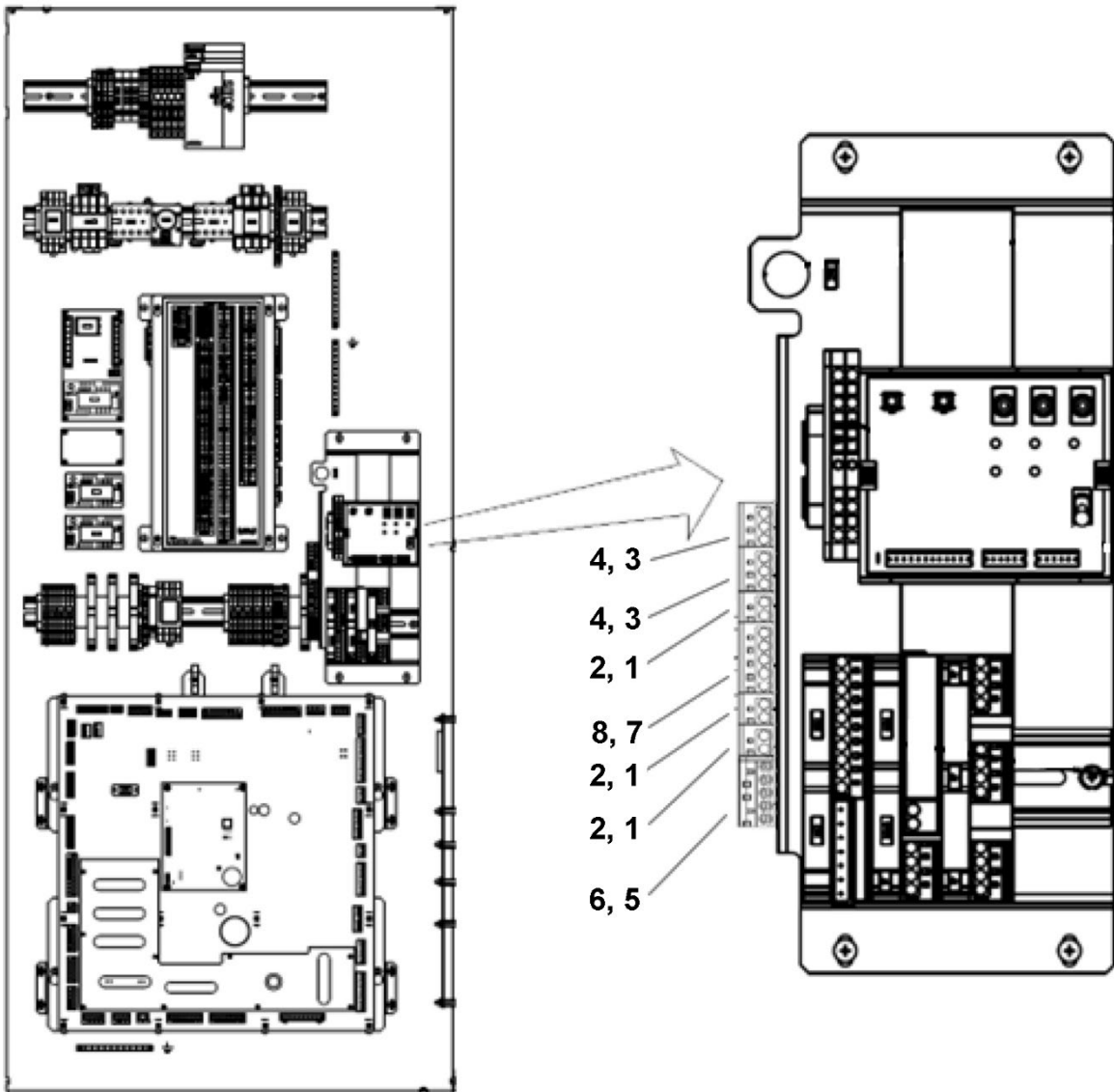


**AAA21303GG**

REF. No.	PART No.	DESCRIPTION	SYMBOL
1	AAA375CJ3	Fuse, 5 A	FAC
2	AAA653C2	Holder, Fuse, with Cap	FAC
3	AAA176HH103	Jumper, MSP Connector	---
4	AAA176HH62	Plug, MSP	CO1, NO1
5	ACA26800AQR1	Reset/Bypass Board Assembly	---
	ACA26800AQR2	Reset/Bypass Board Assembly	Local Code = Detroit
6	AAA303EP205	Terminal Block, with LED	B, BE, FLOOD

# I & T Connectors

**10-AAA21305HC**



**AAA21303GG**

REF. No.	PART No.	DESCRIPTION	SYMBOL
1	AAA447AP254	Connector, 2-Position	EIP2A, EIP3A, EIP5A
2	AAA176HH56	Connector, 2-Position w/Snap-In Foot	EIP2, EIP3, EIP5
3	AAA447AP255	Connector, 3-Position	EIP6A, EIP7A
4	AAA176HH57	Connector, 3-Position w/Snap-In Foot	EIP6, EIP7
5	AAA447AP257	Connector, 5-Position	EIP1A
6	AAA447AP545	Connector, 5-Position w/Snap-In Foot	EIP1
7	AAA176HH52	Connector, 5-Position	EIP4A
8	AAA447AP539	Connector, 5-Position w/Snap-In Foot	EIP4

**NOTE:** EIP\_ connector with snap-in foot, EIP\_A connector plugs into EIP\_ connector.