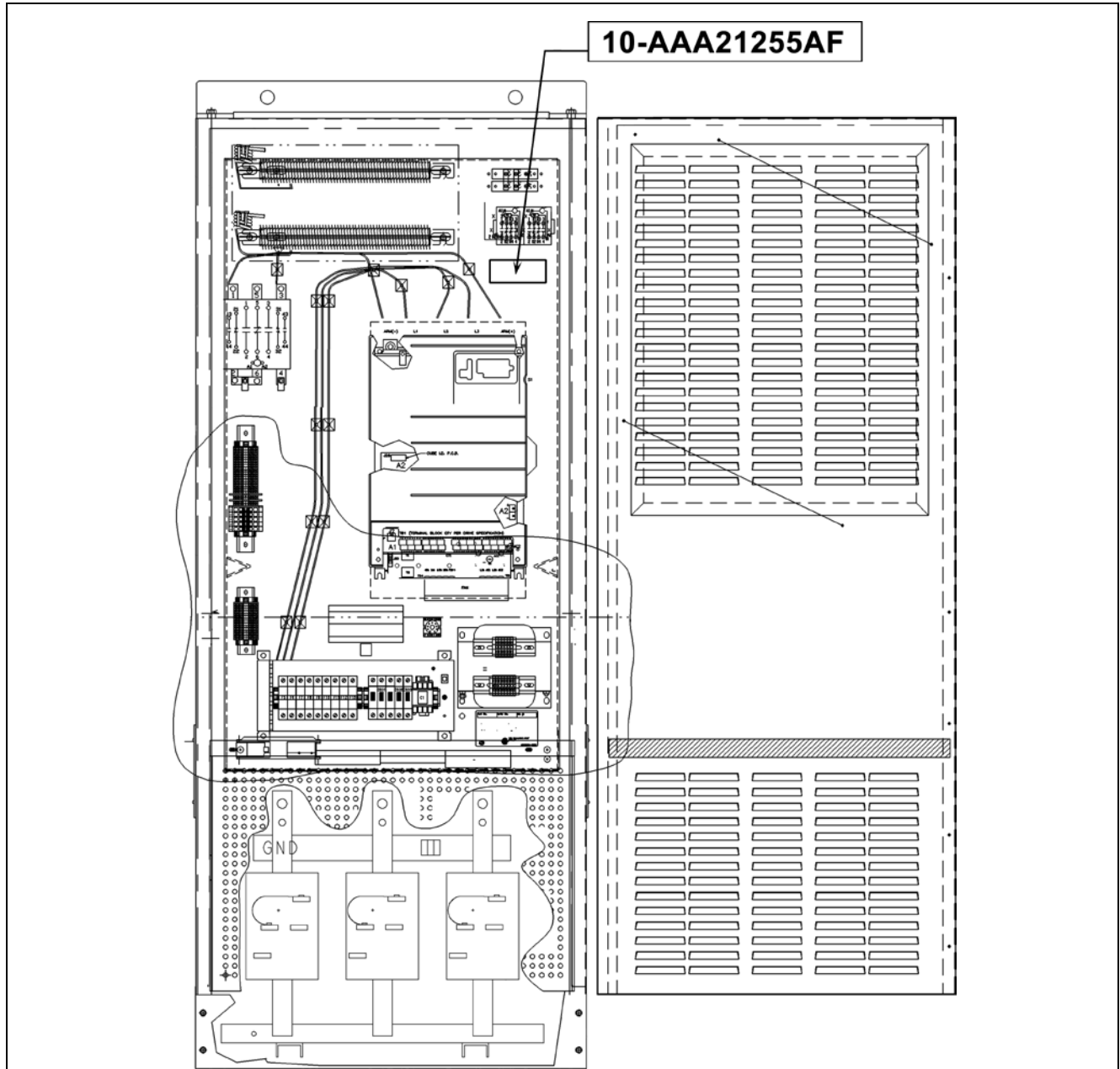


E411-Chameleon
Direct Drive Cabinet

Spare Parts Leaflet

10-AAA21255AF

August 19, 2015 / Page 1 of 10



OTIS

SERVICE ENGINEERING

Otis Elevator Company

Bloomfield, Connecticut USA

Unpublished Work—© Otis Elevator Co.; 2015

Leaflet Description

This leaflet provides spare parts information for E411-Chameleon direct drive cabinet.

Leaflet Revisions

Date Revised	Subject Matter Expert	Reason for Revision
September 25, 2009	Chris Koenig	New SPL
August 19, 2015	Chris Koenig	Added p/ns AAA638AE10 and AAA252BR4 on p. 8

Related Drawings

Drawing No.	Title	Drawing No.	Title
AAA21255AF	Assembly, E411-Chameleon Direct Drive Cabinet	---	---
---	---	---	---

Related Documents

Document ID	Title
SPL 10-AAA21255AB	Controller: E411MC
SPL 10-AAA21255J	Power Control Module: Direct Drive

Subject Matter Expert

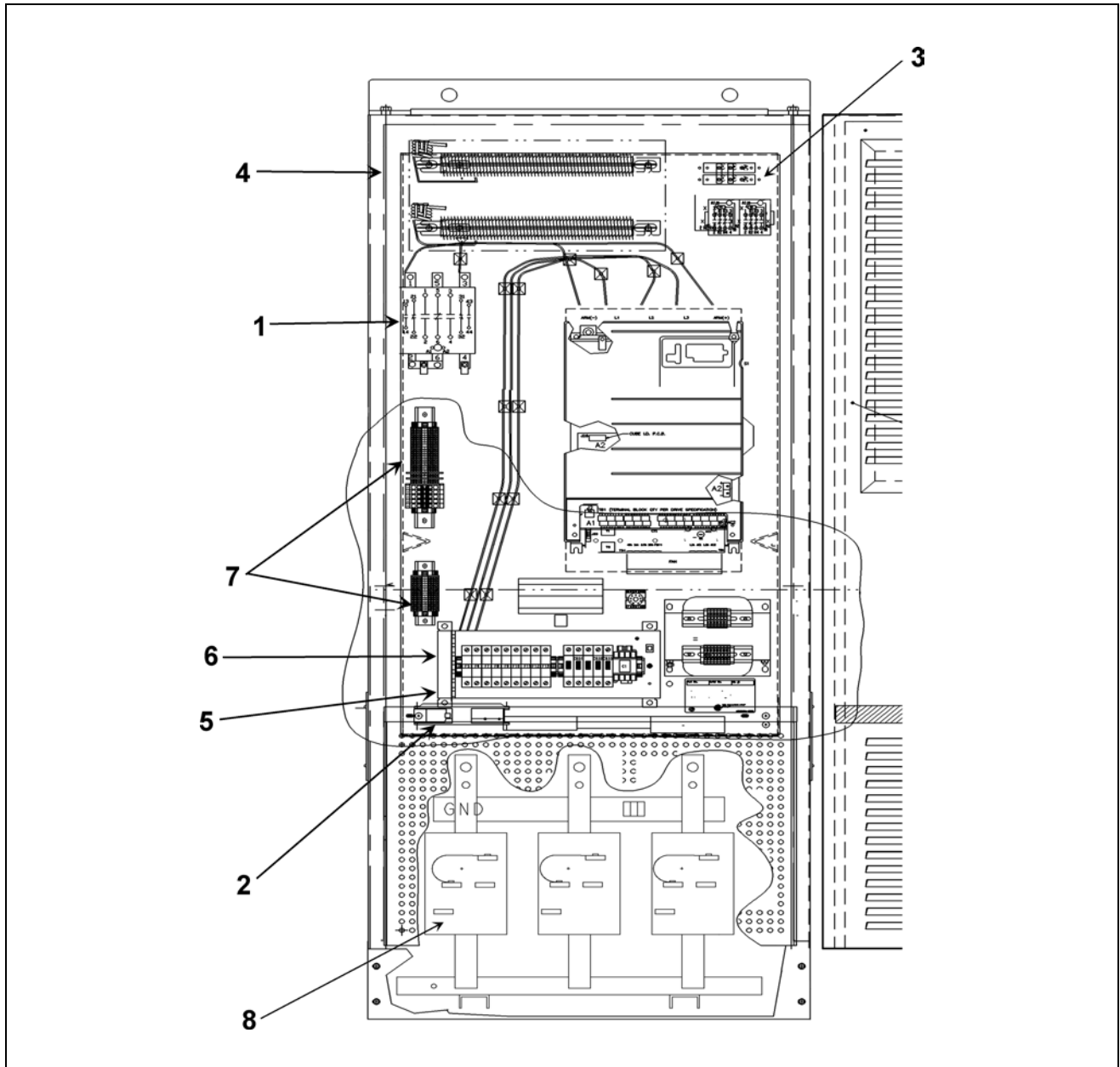
Name	Department
Chris Koenig	OSC Service Engineering

About Spare Parts Leaflets...

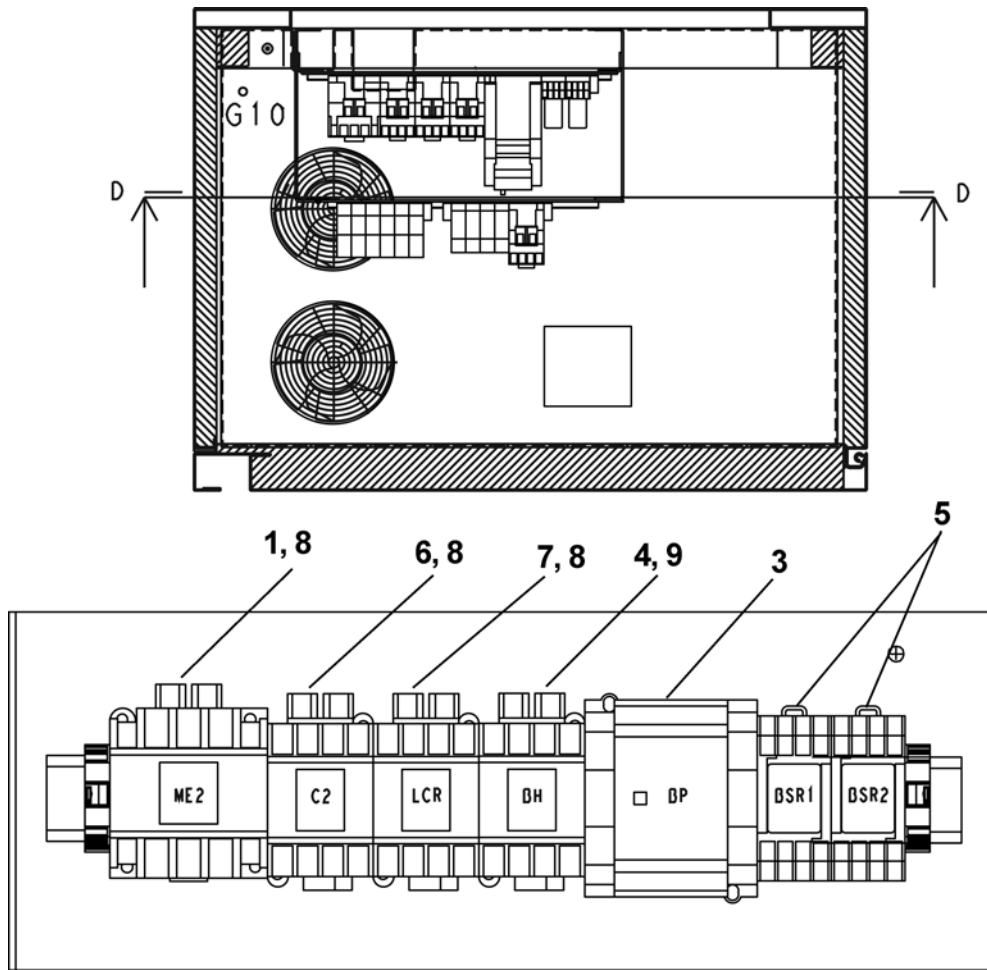
This document lists the lowest replaceable units (LRUs) for the standard version of the product. The LRUs are chosen by a team of Otis associates representing engineering and manufacturing.

While goal of this document is to make parts identification as easy as possible, the document cannot be all-inclusive. Elevator and escalator contracts classified as "special" or "custom" are not addressed here. For such contracts, please refer to specified information, the contract folder, TIPs, Field Education Articles, Construction Letters, etc. for further information.

If you have any suggestions about this document, please contact the subject matter expert listed on this page.



REF. No.	PAGE No.	DESCRIPTION
1	8	Contactors
2	4	Fan
3	9	Field DBR and Brake Resistors
4	9	Resistors
5	5-6	Swing Panel (front) & Powers Supply Transformer
6	4	Swing Panel (rear)
7	7	Terminal Block
8	10	Transformer

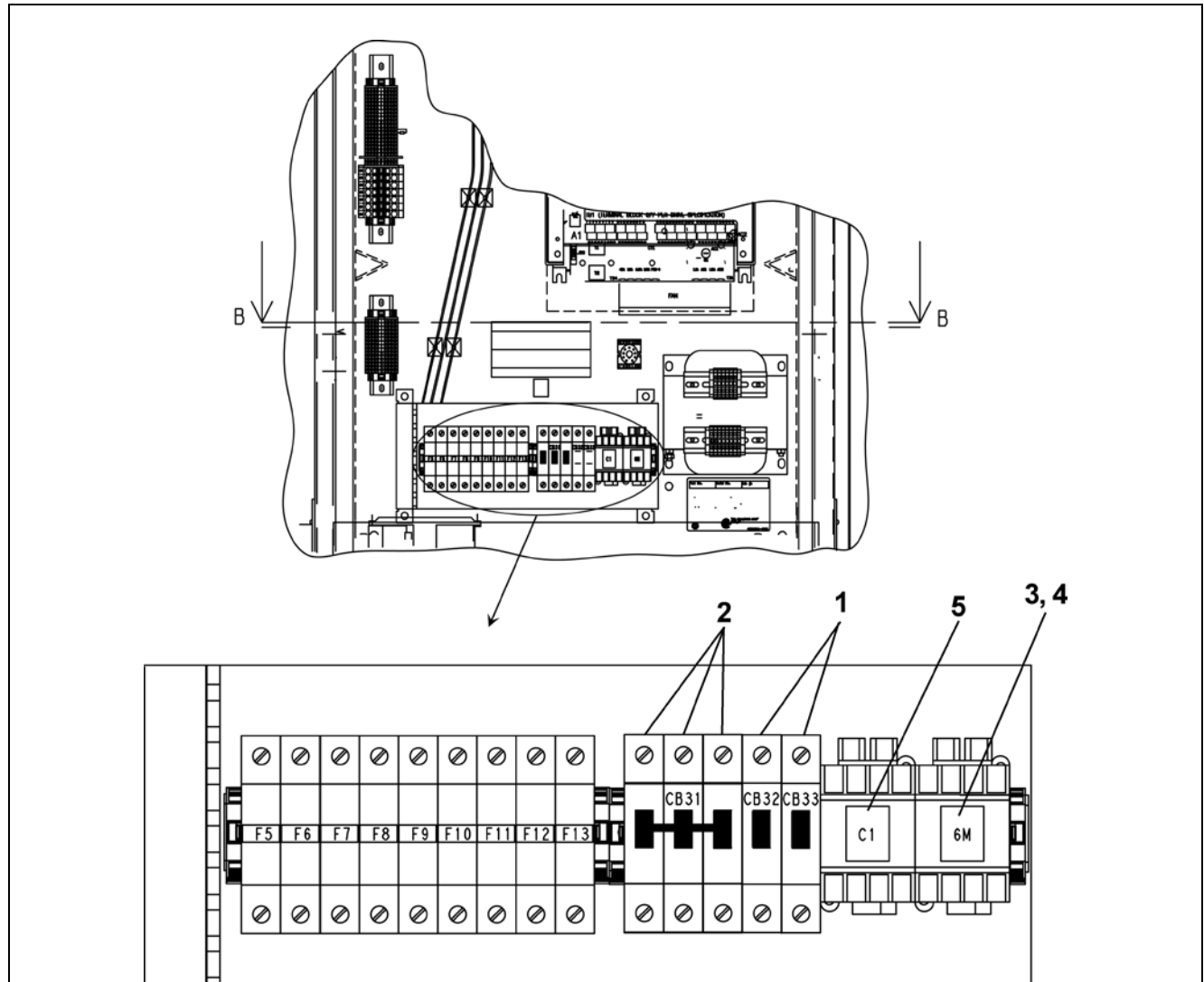


View D-D

REF. No.	PART No.	DESCRIPTION	REMARKS
	AAA21255AF		
1	AAA638AF12	Contactora	ME2
2	AAA21255J137	Fan	MTR1, MTR2
3	AAA638J6	Relay, Brake Pick	BP
4	AAA613DL91	Relay, Brake Hold	BH
5	AAA613CZ9	Relay	BSR1, BSR2
6	AAA613DL30	Relay, Safety Chain	C2
7	AAA613DL30	Relay, Loop Control	LCR
8	AAA613DL61	Suppressor (RC)	C1, C2, LCR, ME2
9	AAA612T7	Suppressor (diode)	BH

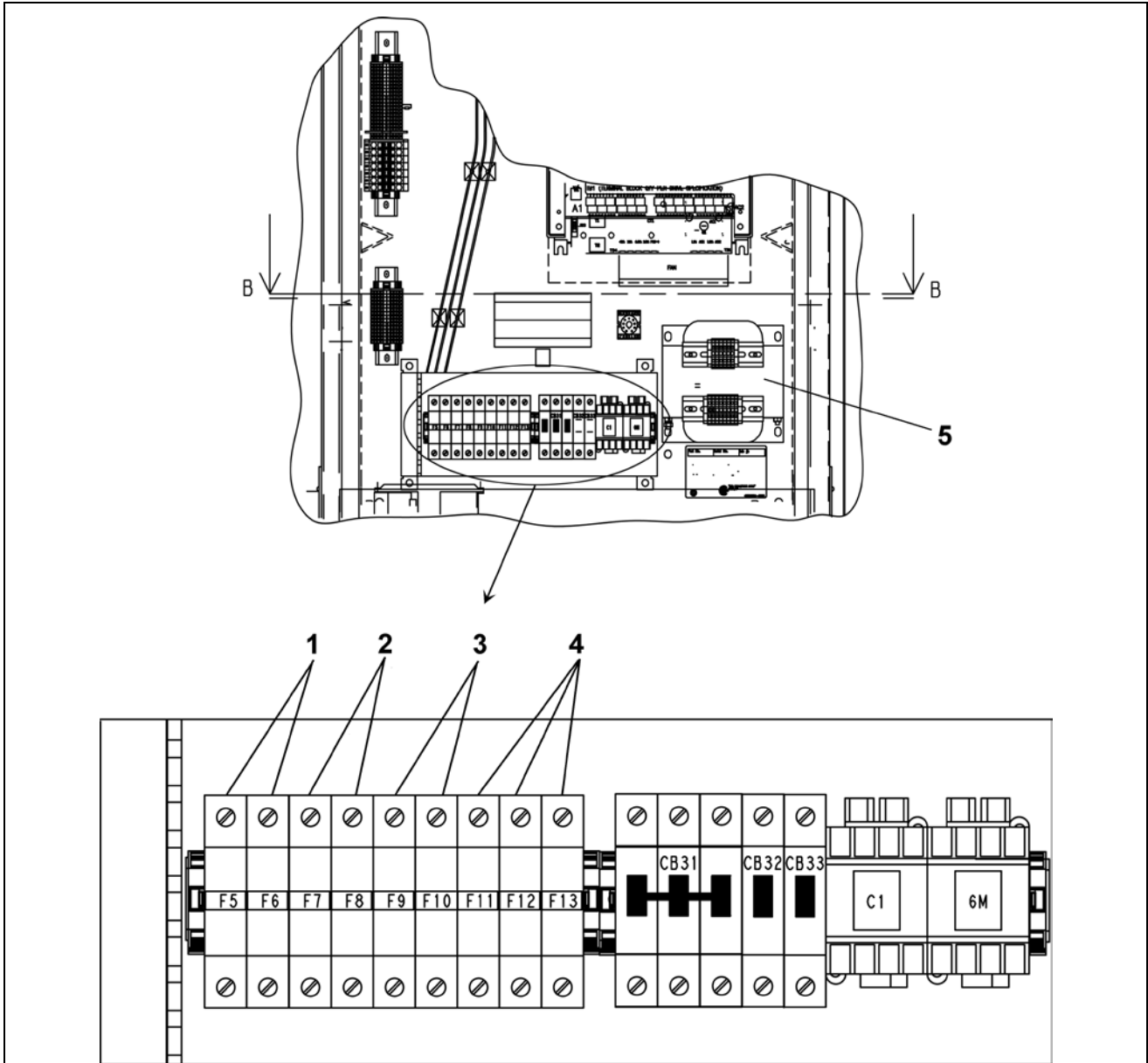
Front Swing Panel

10-AAA21255AF



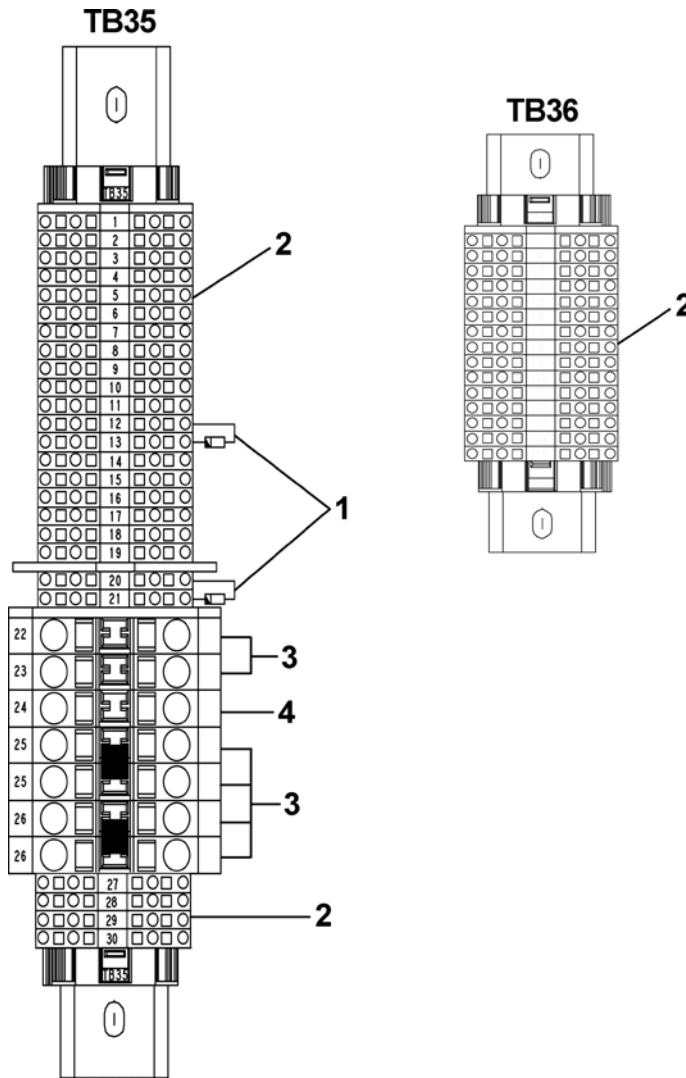
REF. No.	PART No.	DESCRIPTION	REMARKS
	AAA21255AF		
1	AAA00375AAF004	Breaker, Circuit, 1-Pole, 1 A	CB32, CB33
2	AAA00375AAJ007	Breaker, Circuit, 3-Pole, 6 A	CB31
3	AAA613DL29	Contact, Machine Blower	6M
4	AAA660F3	Overload	6M-OL (0.9–1.45 A)
	AAA660F4		6M-OL (1.4–2.2 A)
	AAA660F5		6M-OL (1.7–2.6 A)
	AAA660F7		6M-OL (2.8–4.2 A)
	AAA660F8		6M-OL (4–6 A)
	AAA660F10		6M-OL (6–9 A)
	AAA660F11		6M-OL (7–11 A)
5	AAA613DL30	Relay	C1

(Continued on next page)

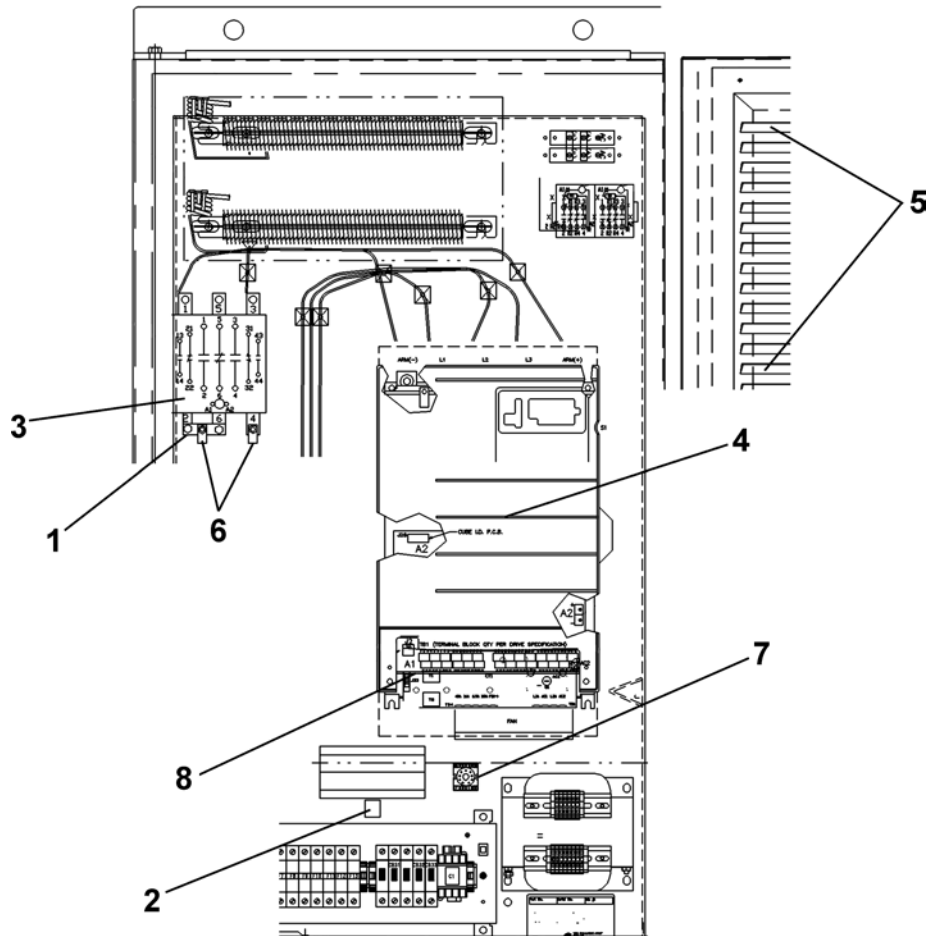


AAA21255AF

REF. No.	PART No.	DESCRIPTION		REMARKS
1	AAA375BK43	Fuse, Control,	208–240 VAC Primary	F5, F6
	AAA375BK40		346–416 VAC Primary	
	AAA375BK37		440–600 VAC Primary	
2	AAA375BK45	Fuse, 30 A, Slow Blow		F7, F8
3	AAA375BN27	Fuse, 30 A, Fast Blow		F9, F10
4	AAA375BK39	Fuse, Control		F11, F12, F13
5	AAA225LV1	Transformer	208–240 V Primary	DPTRF
	AAA225LV2		346–416 V Primary	
	AAA225LV3		440–600 V Primary	



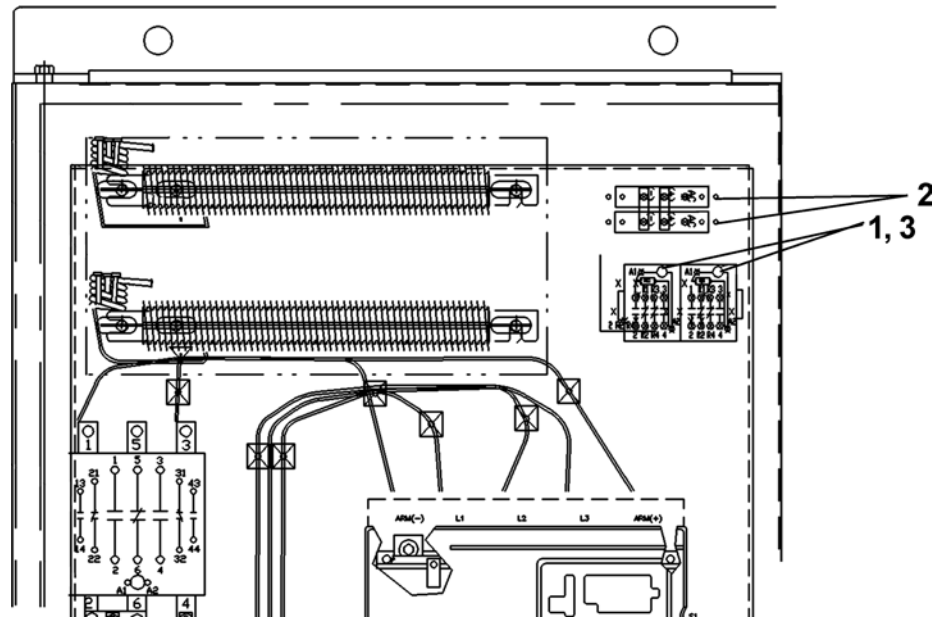
REF. No.	PART No.	DESCRIPTION	REMARKS
	AAA21255AF		
1	AAA612T7	Suppressor, Diode	BP, D31
2	AAA303EP1	Terminal Block (grey #14 AWG)	TB35, TB36
3	AAA303EP51	Terminal Block (grey #8 AWG)	TB35
4	AAA303EP80	Terminal Block (green #8 AWG)	TB35



REF. No.	PART No.	DESCRIPTION	REMARKS
	AAA21255AF		
1	AAA252BR2	Bar, Bus	w/ 280 series
	AAA252BR4		w/ 360 series
2	230BS3	Bridge, Diode, 1-Phase	RF31
3	AAA638AE6	Contactor	ME (280 series)
	AAA638AE10		ME (360 series)
4	AAA21255J15	Drive, SCR,	DSD-412
	AAA21255J16	See SPL 10-AAA21255J	
5	LA5P15-0026	Filter	Door
6	AAA190CF10	Lug, Terminal	MA, MA1 Terminal
7	AAA630T5	Relay, Voltage Dropout	J2
8	AAA232GJ45	Resistor, 500 Ohm, 5 W	R101

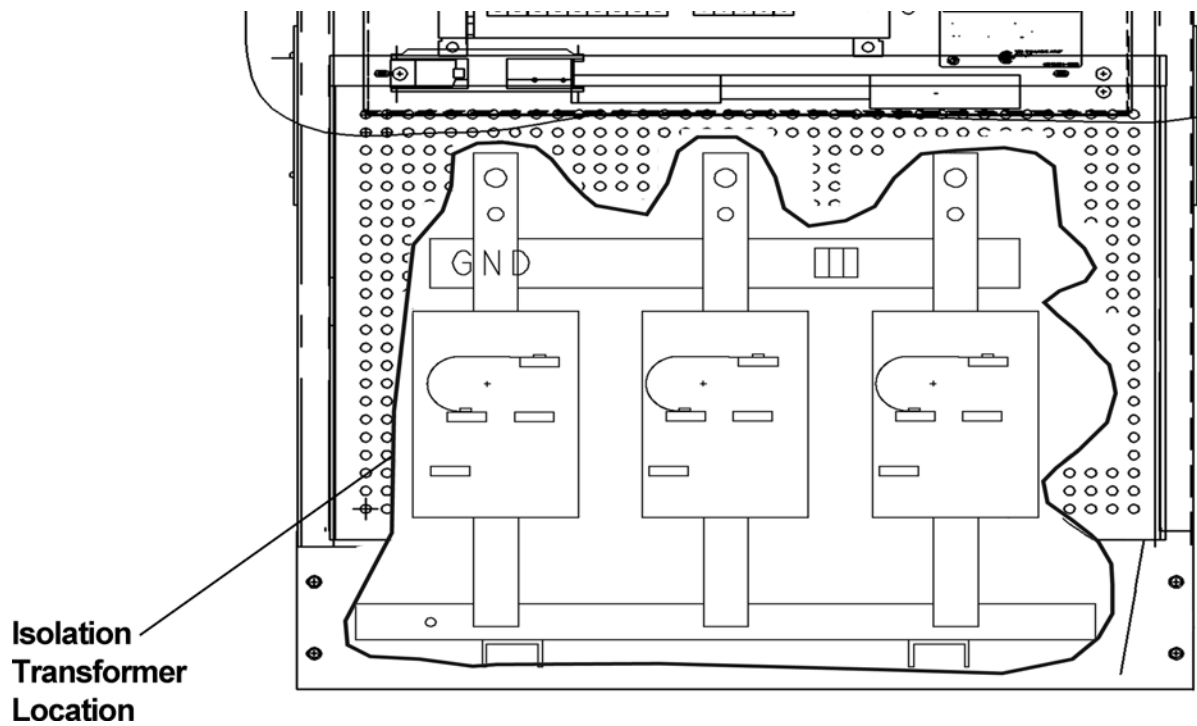
Resistors

10-AAA21255AF



REF. No.	PART No.	DESCRIPTION	REMARKS
	AAA21255AF		
1	AAA638AF26	Contactora	3M, 4M
2	LA5P50-0328	Diode	1RT, 2RT
*	AAA617K5	Resistor, 5 Ohm, 225 W	BR1
	AAA617K8	Resistor, 50 Ohm, 225 W	
	AAA617K9	Resistor, 100 Ohm, 225 W	
*	AAA617K7	Resistor, 20 Ohm, 225 W	BR2
	AAA617K8	Resistor, 50 Ohm, 225 W	
	AAA617K9	Resistor, 100 Ohm, 225 W	
	AAA617K10	Resistor, 250 Ohm, 225 W	
*	AAA617H11	Resistor, 100 Ohm, 50 W	BR3
3	AAA638AF100	Suppressor, Coil	3M, 4M

* Parts not shown.



NOTE: Before you call your Customer Service representative at OSC, please provide complete nameplate data from the transformer to order replacement.